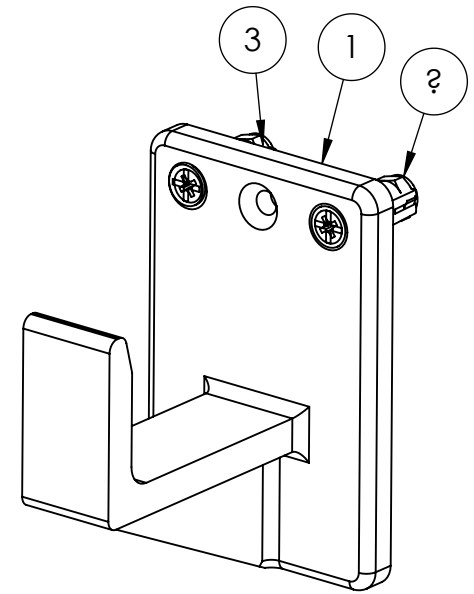
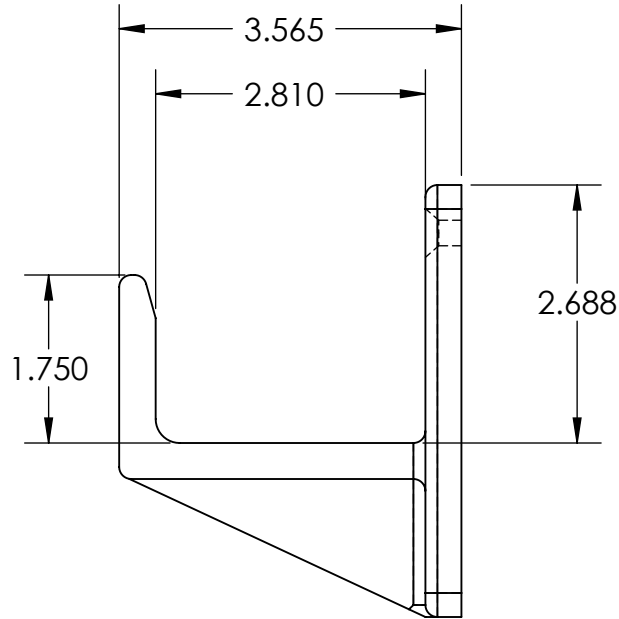
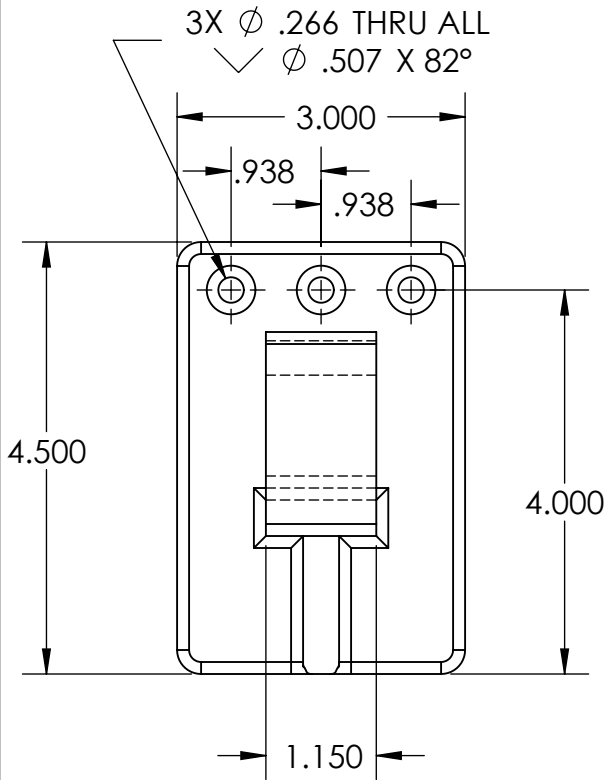


REV	DESCRIPTION	DATE	APPR



3	7021	FASTENER KIT	1
2	2032	FASTENER KIT	1
1	1019P	UNIVERSAL HANGER	1
ITEM NO.	PAC P/N	PART NAME	QTY

NOTES:

PERFORMANCE
ADVANTAGE
COMPANY



TOLERANCES UNLESS OTHERWISE SPECIFIED

.X= ± .03
.XX= ± .010
.XXX= ± .005
.XXXX= ± 0.0005
ANGLES ± 0.5 °
FRACTIONAL ± 1/64

THIRD ANGLE PROJECTION



COLOR
BLACK

NAME DATE

DRAWN BY JIM GONZALEZ 6/3/2010

APPR. BY

MFG BY

MFG. P/N

ENG APPR.

MATERIAL

ALT. MATERIAL

FINISH

THE INFORMATION CONTAINED IN THIS DRAWING IS THE SOLE PROPERTY OF PERFORMANCE ADVANTAGE CO. ANY REPRODUCTION IN PART OR AS A WHOLE WITHOUT THE WRITTEN PERMISSION OF PERFORMANCE ADVANTAGE CO. IS PROHIBITED.

TITLE:

UNIVERSAL HANGER

PART NUMBER

1019

REV

SCALE: 1:2

SHEET 1 OF 2