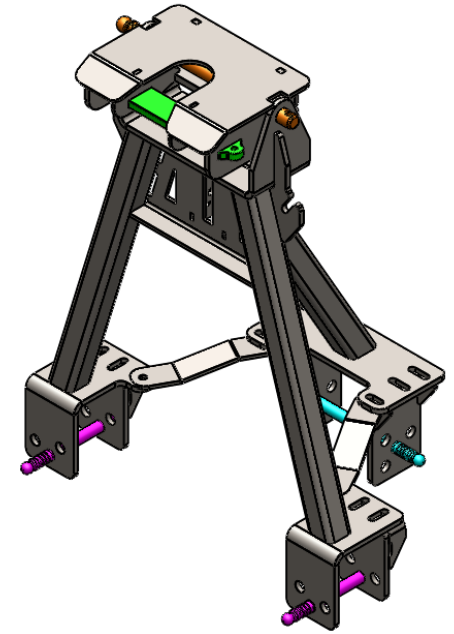
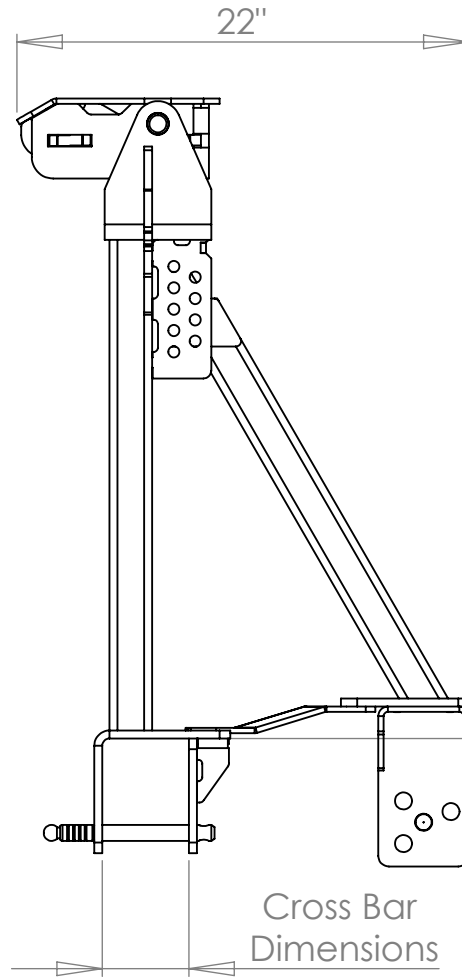
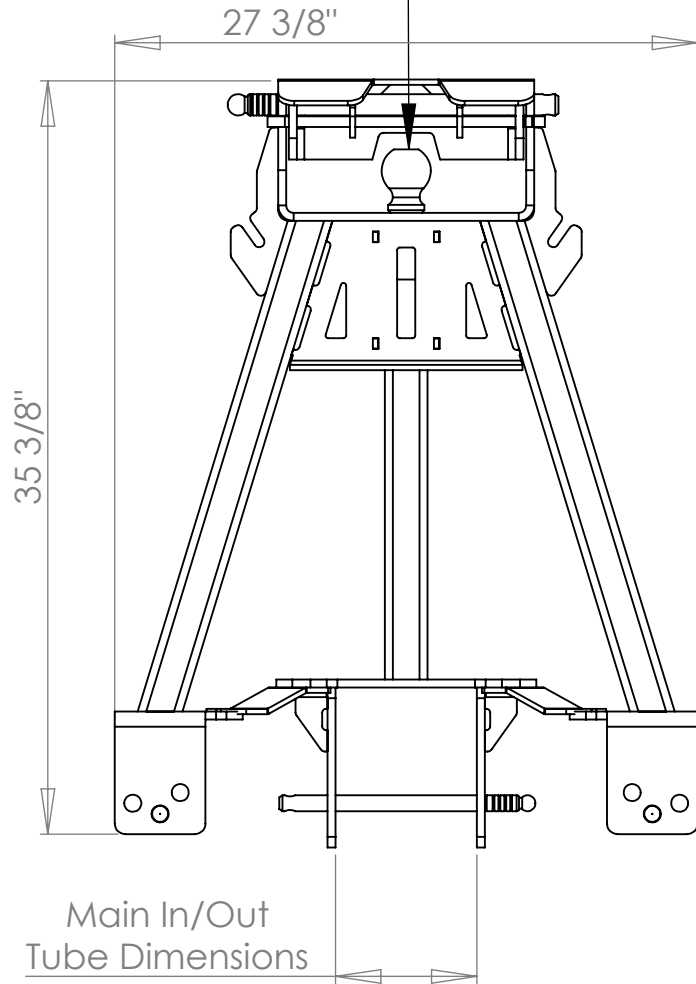


2-5/16" Gooseneck Ball



Cross Bar Offset

	Cross Bar Size	Main In/Out Tube	Cross Bar Offset
Minimum Size	3" x 3"	6" x 4"	1/2"
Maximum Size	4" x 4"	8" x 6"	2-1/2"

* One size fits most, verify the measurements on your wheel lift before ordering!
 **Dimensions are reference only. Actual dimensions may vary.

DRAWN BY: JL DRAWN DATE: 4/1/2013
 UNLESS OTHERWISE SPECIFIED:
 DIMENSIONS ARE IN INCHES
 TOLERANCES:
 FRACTIONAL ± 1/16"
 ANGULAR: MACH ± 0.25° BEND ± 1.5°
 TWO PLACE DECIMAL ± 0.020"
 THREE PLACE DECIMAL ± 0.005"
 MATERIAL: N/A
 DO NOT SCALE DRAWING

Inventive LLC
 In The Ditch Towing Products
 DESCRIPTION: 5th Wheel Power Hitch
 SIZE PART NO. **A** ITD1253 REV
 SHEET SCALE 1:20 SHEET 2 of 4