

# Installation Guide for Dolly Bunk

## ITD1022 & ITD1023

Below is a list of parts you will need to install a set of Dolly Bunks.  
Mounting hardware is **NOT** included with product.

### Minimum Required Mounting Hardware List:



(14) 5/16" Bolts (Grade 5 or better)

(14) 5/16" Nuts (Grade 5 or better)

(28) 5/16" Washers

### **MOUNTING INSTRUCTIONS**

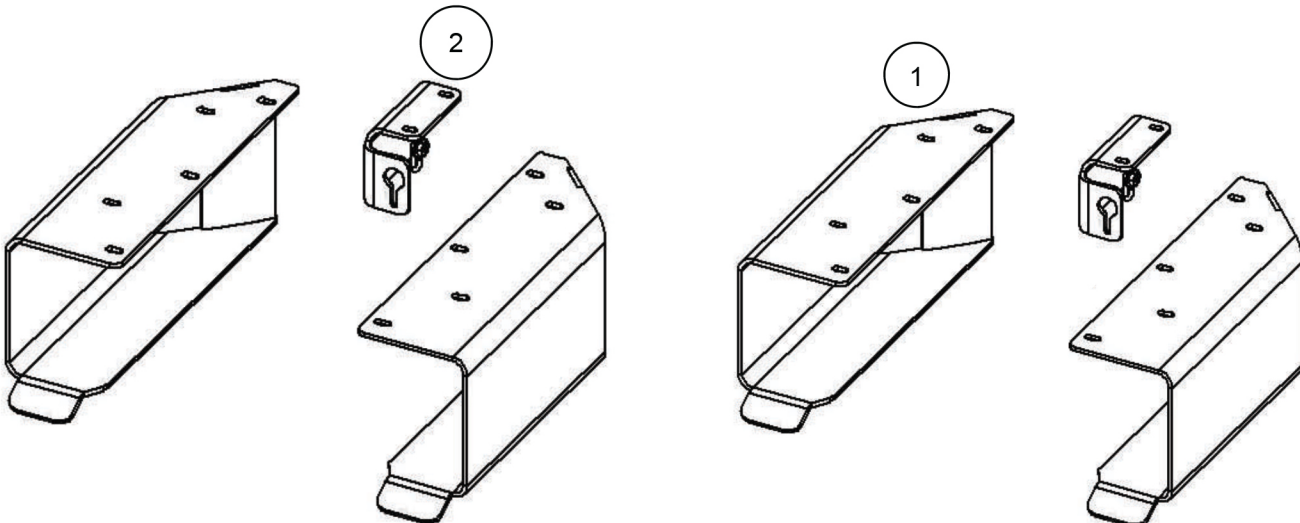


READ ALL SAFETY WARNINGS & INSTRUCTIONS CAREFULLY  
BEFORE MOUNTING OR OPERATING YOUR DOLLY BUNKS.



### Parts List:

Item #	Qty	Description	Part # (ITD1023)	Part # (ITD1022)
1	(4)	Dolly Bunk Side *Mirrored Parts	ITD6662	ITD6997
2	(2)	Dolly Bunk Center Latch	ITD6663	ITD6998



For missing or damaged parts, please call 1-888-993-4824

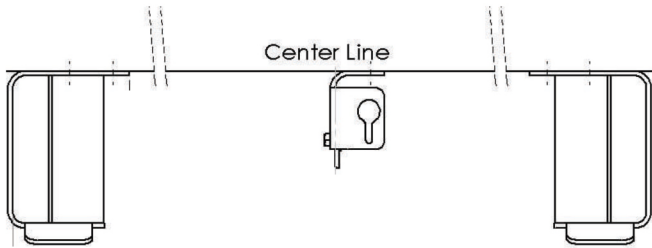


## Caution

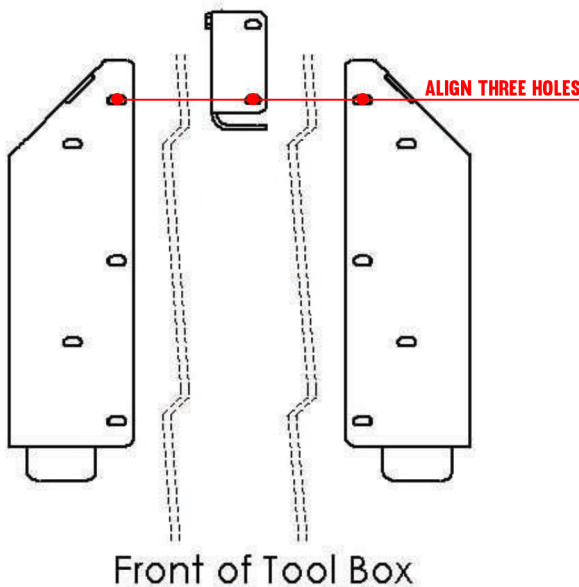


Due to variances in tool box & dolly designs, ITD cannot provide explicit mounting requirements for every mounting option. These are only guidelines, final installation requirements are left to the discretion of a qualified installer. ITD **will NOT** warrantee any damage to tool boxes or dollies resulting from inadequate mounting. **A qualified installer needs to make sure that there is no way a dolly can unexpectedly come loose from the dolly bunk! We recommend you use the Speed Dolly® with this bunk.**

**Figure A**



**Figure B**



### Step 1

Determine the width the bunk sides need to be spaced. Take overall width of dolly and add 1/2" for clearance.

### Step 2 (Fig A)

Layout bottom of toolbox.

- Create centerline for dolly placement.
- Mark a line 1/2 the required distance for proper dolly spacing, either side of centerline.

### Step 3

Hold each side of dolly bunk against marked line. Mark a minimum of 3 mounting holes per bunk side.

### Step 4

Bolt each side to tool box using a minimum of (3) 5/16" bolts, (6) 5/16" washers, & (3) 5/16" nuts.

**Note:** It is recommended to use some nut locking device (nylok, loktite, etc)

### Step 5 (Fig B)

Mark and bolt center locking section on centerline of toolbox. Mount locking section rearward so that it holds dolly to the back of mount, with minimum slack in chain.

### Locking Note:

To lock dolly use supplied safety chain to wrap around dolly tube. Then feed free end of chain through round portion of key hole slot. Slide chain into slot between two links.

**Secure the free end of chain with a pad-lock or other device to ensure chain can not unexpectedly come loose!**

**IT IS IMPORTANT TO VERIFY ALL HARDWARE IS SECURE AND TIGHT. THIS INCLUDES BUT IS NOT LIMITED TO MOUNTING HARDWARE AND RETAINING CHAINS**

### Before First Use Checklist:

- All nuts and bolts are tight, pull on dolly in all directions to validate the dolly can not fall out of dolly bunk.



## Warning



- Inspect and retighten after first 10 uses

It is the drivers responsibility to make sure all items are secure on truck



[www.InTheDitch.com](http://www.InTheDitch.com)