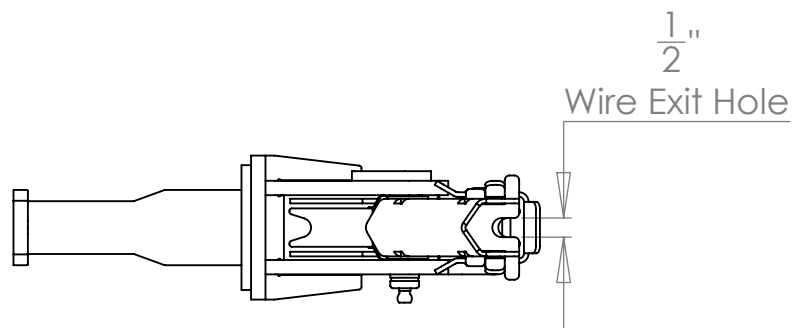
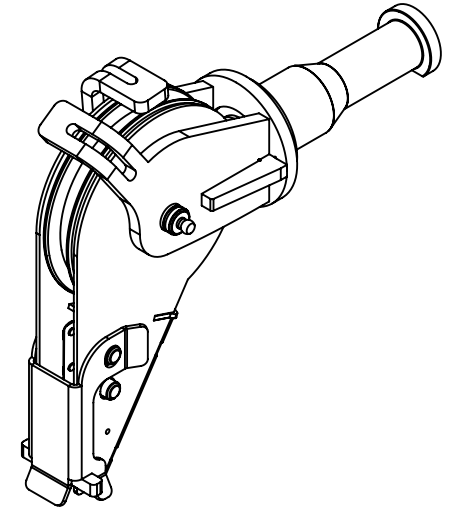
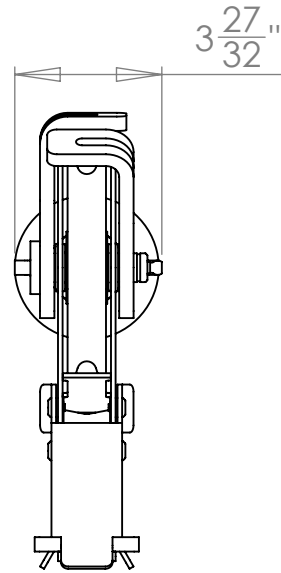
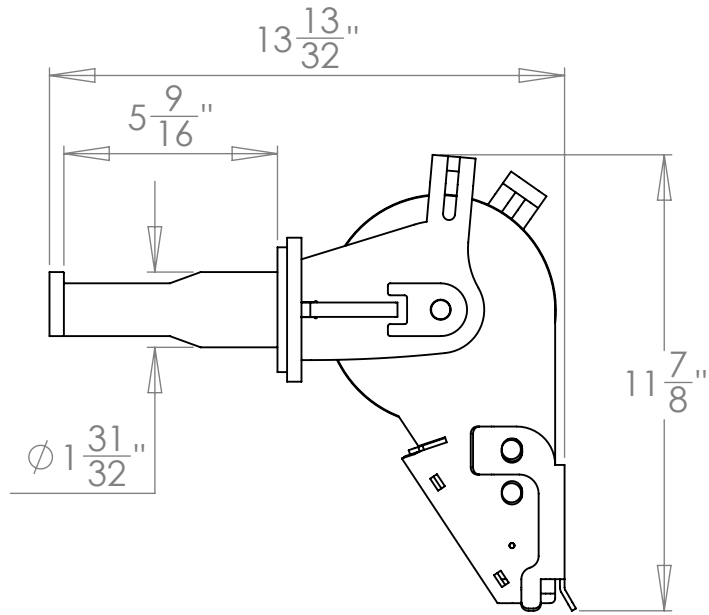


REV.	DESCRIPTION	DATE	APPROVED
------	-------------	------	----------



Notes:
For use with 3/8" and 7/16" wire rope

DRAWN BY: KBH DRAWN DATE: 3/15/2013 UNLESS OTHERWISE SPECIFIED: DIMENSIONS ARE IN INCHES TOLERANCES: FRACTIONAL $\pm 1/16"$ ANGULAR: MACH $\pm 0.25^\circ$ BEND $\pm 1.5^\circ$ TWO PLACE DECIMAL $\pm 0.020"$ THREE PLACE DECIMAL $\pm 0.005"$ MATERIAL: DO NOT SCALE DRAWING	Inventive LLC In The Ditch Towing Products DESCRIPTION SP8/12 Removable Boom Head SIZE PART NO. A ITD4229-01 SHEET SCALE 1:10	REV SHEET 1 of 1
--	--	---------------------