





Installation Guide for the Drop Down Dolly Box

Below is a list of parts you will need to install a set of Drop Down Dolly Box. Mounting hardware is NOT included with product.

Required Mounting Hardware List (set):

-  (12) 3/8" Bolts (Grade 5 or better)
-  (12) 3/8" Nuts (Grade 5 or better)
-  (12) 3/8" Fender Washers
-  (12) 3/8" Washers

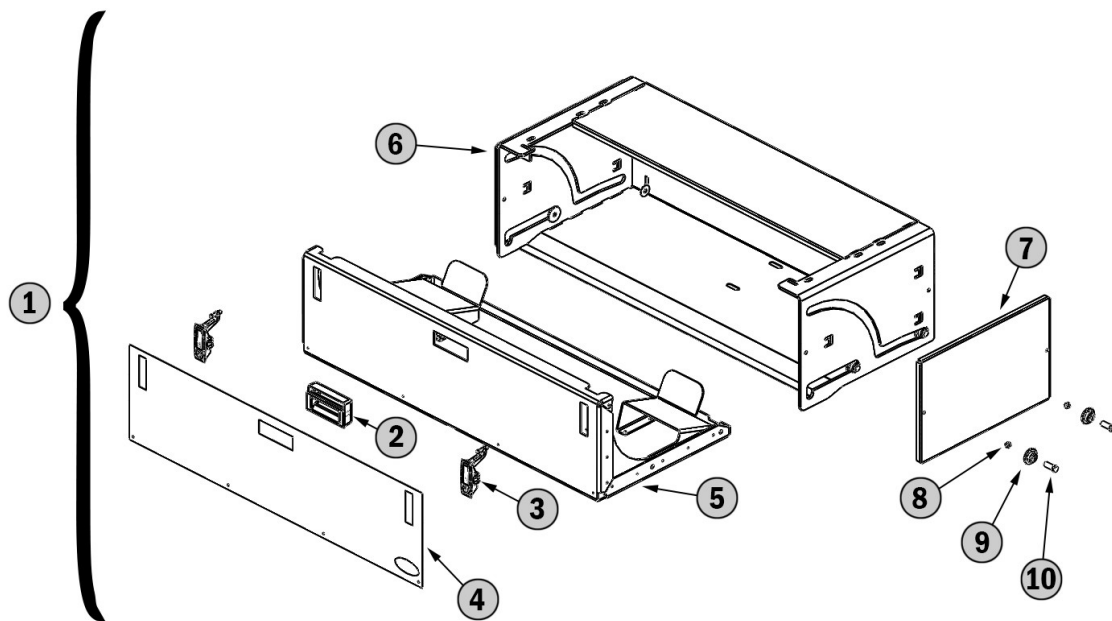


Diagram Number	QTY	Description	Part Number (SD)	Part Number (XD)
1	1	Dolly Box Assembly	ITD1064	ITD1065
2	1	Plastic Pull Handle	ITD7028	ITD7028
3	2	Compression Latch	ITD7027	ITD7027
4	1	S.S. Cover Panel	ITD6059	ITD6318
5	1	Tray Assembly	ITD6955	ITD6317
6	1	Outer Box Assembly	ITD6950	ITD6316
7	2	Dust Cover	ITD6958	ITD6323
8	4	3/8" Nylock Nut	3/8" Nylock Nut	3/8" Nylock Nut
9	4	Delrin Bearing Assembly	ITD1317	ITD1318
10	4	3/8" Bolt	3/8" Bolt	3/8" Bolt

MOUNTING INSTRUCTIONS



READ ALL SAFETY WARNINGS & INSTRUCTIONS CAREFULLY BEFORE MOUNTING OR OPERATING YOUR DROP DOWN DOLLY BOX.



For missing or damaged parts, please call 1-888-993-4824
www.INTHEDITCH.com



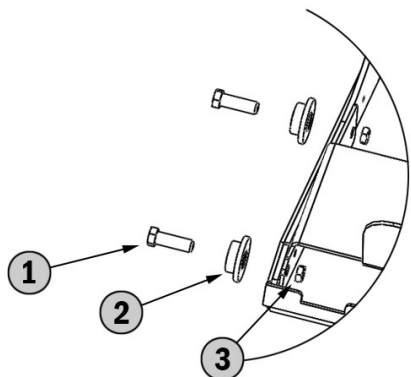


Caution

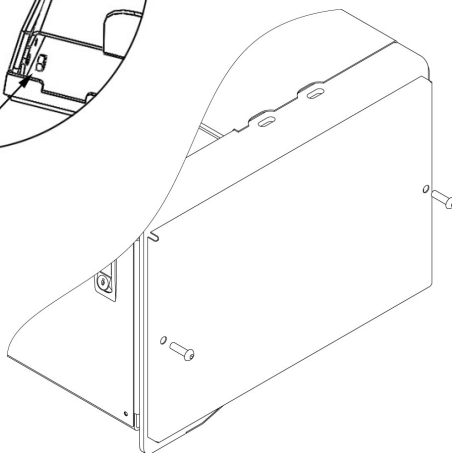


Due to variances in tool box designs, ITD cannot provide explicit mounting requirements for every box. These are only guidelines, final installation requirements are left to the discretion of the installer. ITD will NOT warrantee any damage to tool boxes resulting from inadequate mounting.

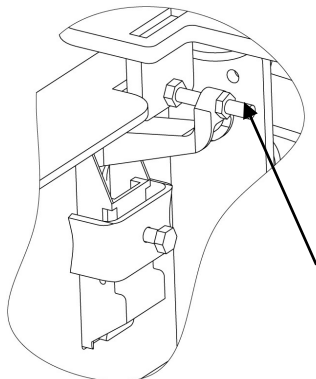
Bearing Assembly



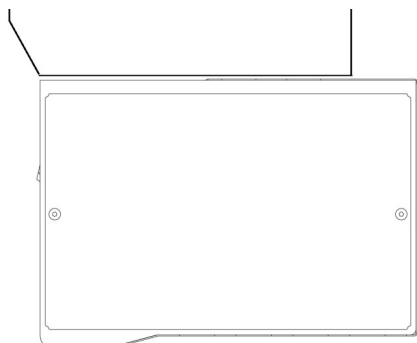
Dust Cover



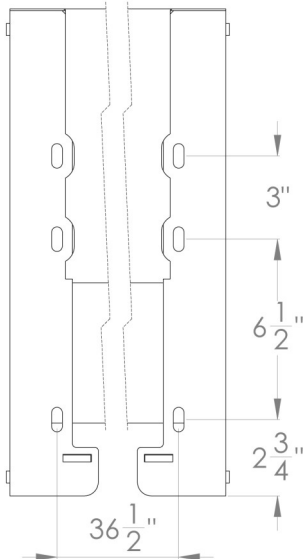
Latch Adjustment



Step 2 Tool Box Position



Step 3 Hole Layout



WE RECOMMEND TWO PEOPLE WORK TOGETHER TO MOUNT THIS UNIT

Bearing Assembly:

1. 3/8" Nylock Nut
2. Delrin Bearing Assembly
3. 3/8" Bolt

Dust Cover:

Use locktite when tightening bolt. CAUTION do not over tighten.

Latch Adjustment:

Leave 1/16" gap between latch and striker.

Dolly Brand Notice:

If you are using a dolly other than the Speed Dolly, the inner tire plates may need to be removed for clearance. To remove drill rivet with 3/16" drill bit.

Removing the Tray Assembly will ease installation by reduce weight and allowing easier access to mounting holes.

Step 1

To ease placement, utilize a floor jack to hold the unit up while fine tuning the final position.

Step 2

Front edge of mount must be flush with edge of tool box

Step 3

Mark holes and drill.

Tip: Avoiding mounting the dolly box across two tool boxes will reduce the chance of twisting.

Before First Use Checklist:

- All nuts and bolts are tight
- Front retaining bolts are installed and tight



Warning



Inspect and retighten after first 10 uses