









Assembly/Operations of Traveling Speed Chock ITD1260

Below is a list of parts needed to assembly a Traveling Speed Chock.
Hardware is included with product

Required Hardware List For Assembly:

	(3)	1/4" x 3/4" Carriage Bolt		(1)	Knob
	(3)	1/4" Washers		(1)	Push Cap
	(3)	1/4" Nylok Nuts		(1)	Linch Clip



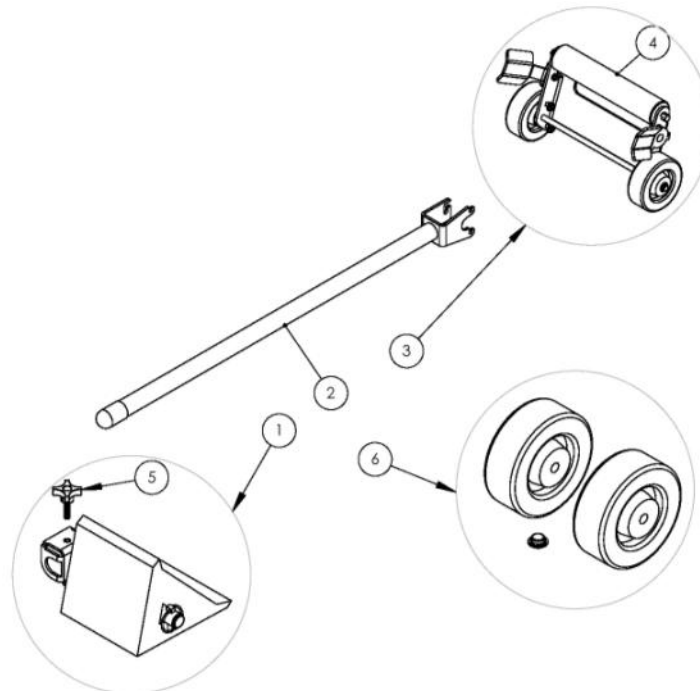
ASSEMBLY INSTRUCTIONS

READ ALL SAFETY WARNINGS & INSTRUCTIONS CAREFULLY
BEFORE USING THE TRAVELING SPEED CHOCK.



Parts List:

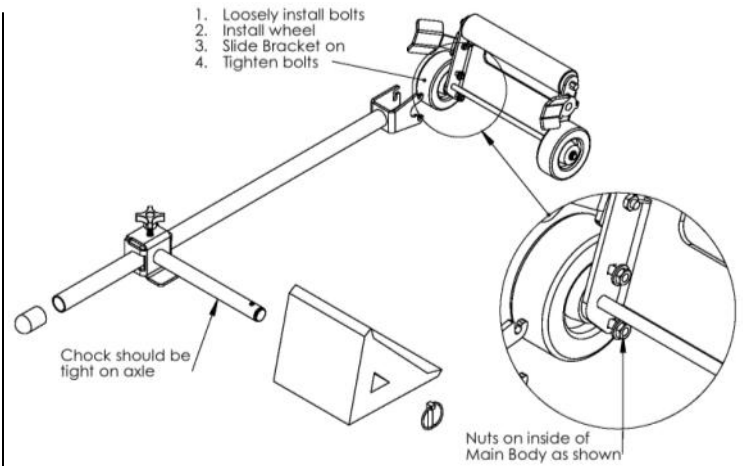
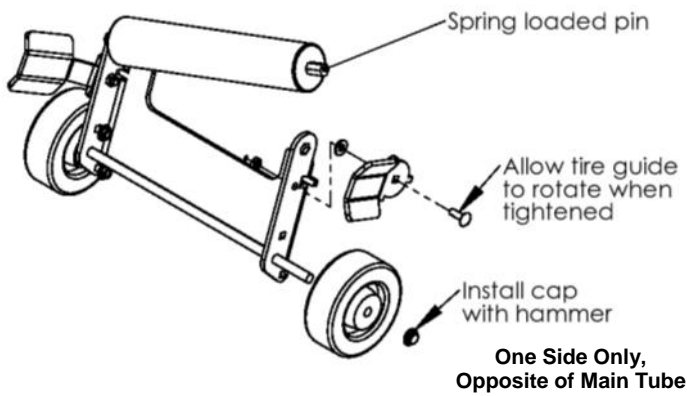
Item #	Qty	Description	Part #
1	(1)	Chock Assembly - Includes chock, chock axle, linch clip, threaded knob	ITD6242
2	(1)	Tube Assembly	ITD6241
3	(1)	Main Body Assembly - Includes body weldment, roller, wheels, tire guide	ITD6244
4	(1)	Tire Roller	ITD7101
5	(1)	Thread Knob	ITD7050
6	(1)	Replacement Tire Kit	ITD6243



For missing or damaged parts, please call 1-888-993-4824
www.INTHEDITCH.com

Assembly Procedure:

Traveling Speed Chock is reversible and can be assembled to be used on the Driver's or Passenger's side. Diagrams below represent product being assembled for the Driver's side.



DRIVER'S SIDE CONFIGURATION

! WARNING !

This device is intended to help control a runaway vehicle during an unexpected wire rope disconnect from loading or unloading a vehicle from a carrier deck.

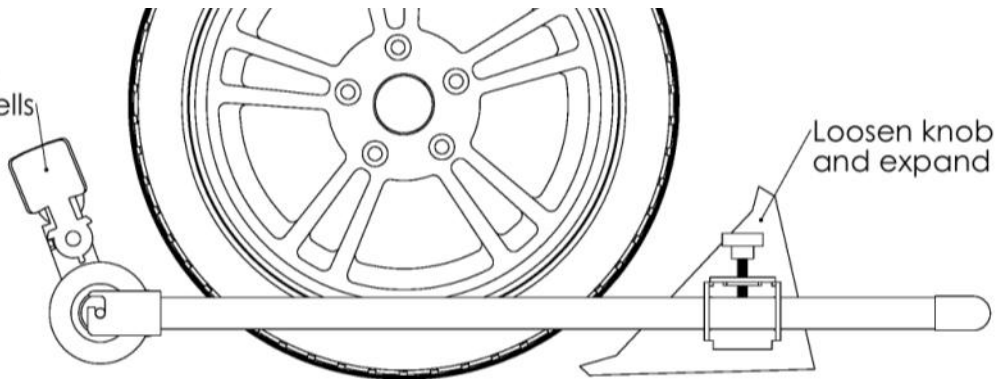
Due to varying conditions there is no guarantee the vehicle will be stopped on the deck. The device is only designed to help slow the descent.

Traveling Speed Chock is NOT designed as a stop, never place any body part behind the wheel during operation.

Chock works with most vehicles.

Operation:

Rotate Tire Guide up to help fit within wheel wells



Rotate Tire Guides down in front and back

