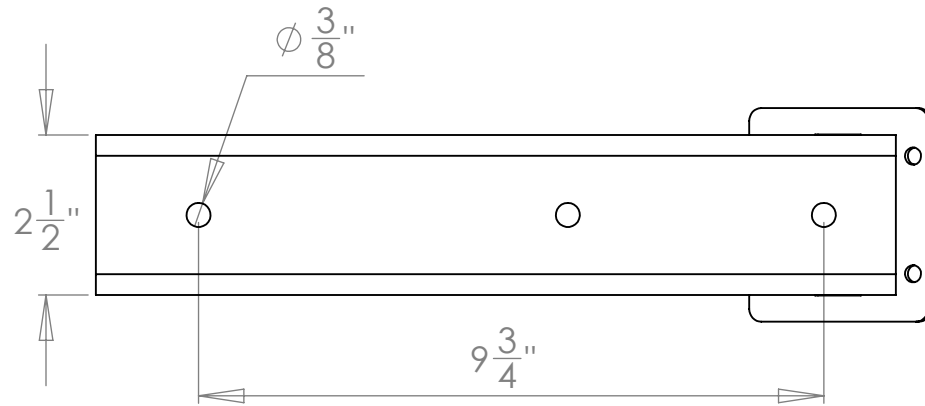
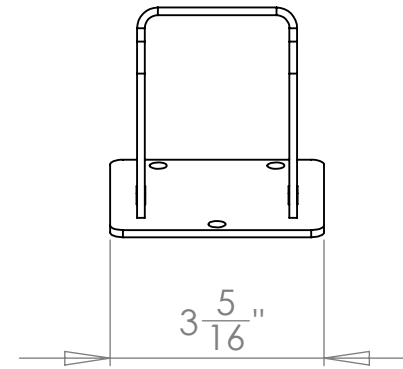
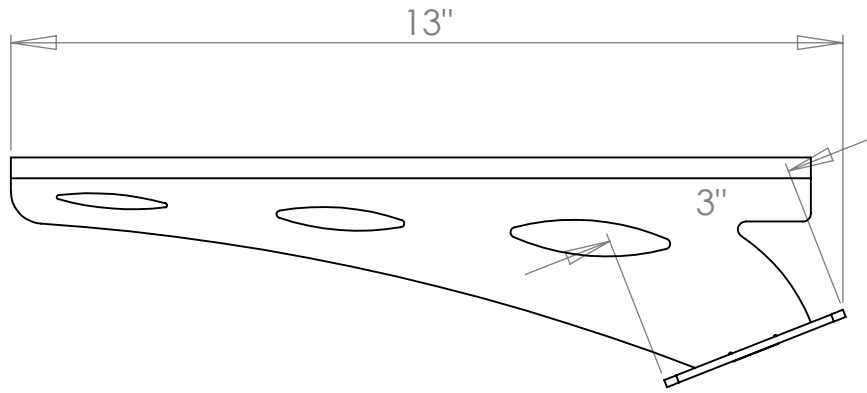
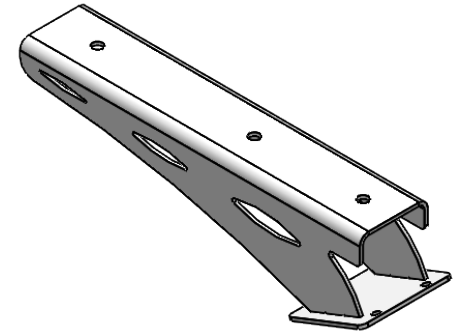


REV.	DESCRIPTION	DATE	APPROVED
------	-------------	------	----------



<b>Inventive LLC</b>	
In The Ditch Towing Products	
DESCRIPTION <b>Dolly Axle Support Arm</b>	
PART NO. ITD4315	
WEIGHT 2.71 LBS	