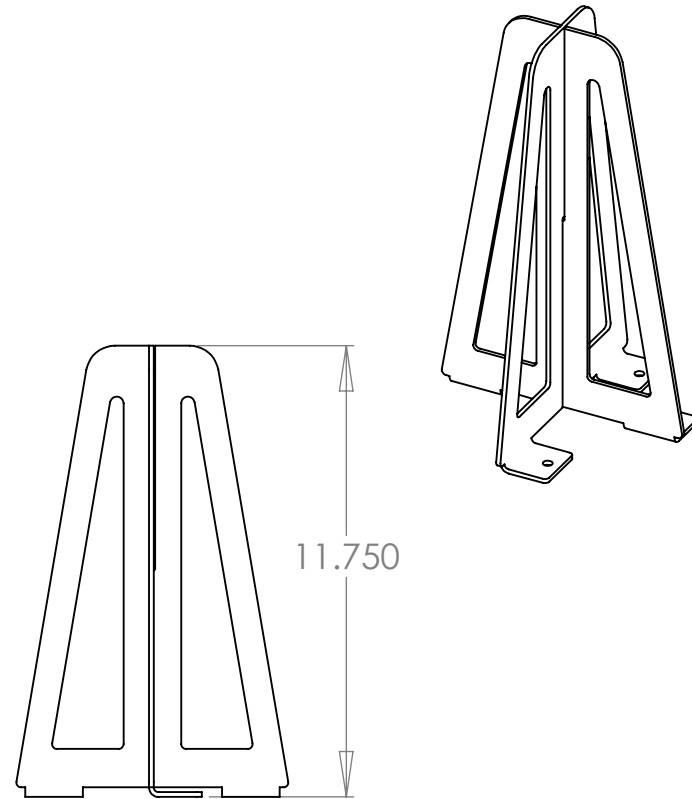
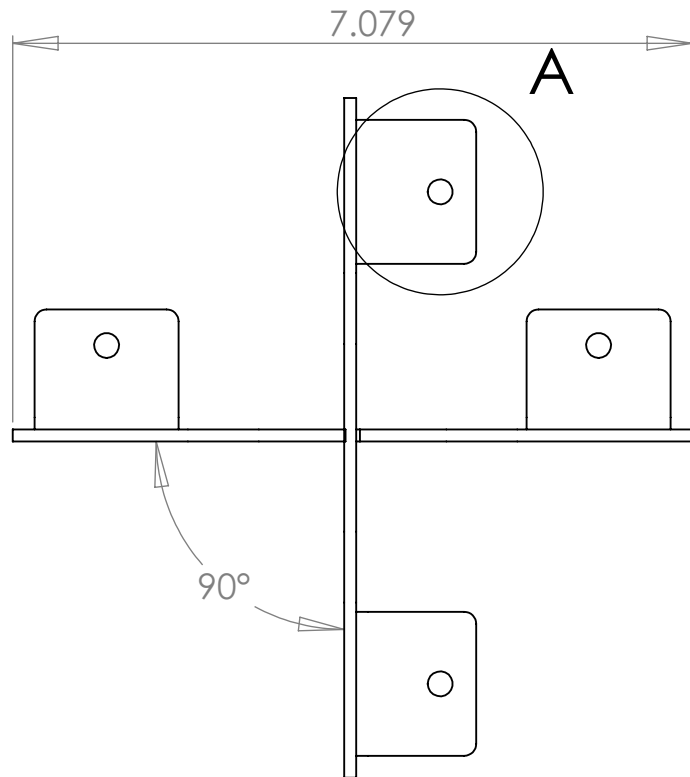
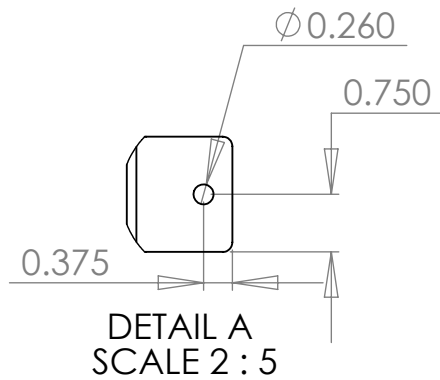


REV.	DESCRIPTION	DATE	APPROVED
------	-------------	------	----------



.125" 5052 Aluminum Sheet

DRAWN BY: KBH	DRAWN DATE: 1/27/2009	Inventive LLC In The Ditch Towing Products	
UNLESS OTHERWISE SPECIFIED:			
DIMENSIONS ARE IN INCHES		PART NAME	
TOLERANCES:		18" Deck Mnt. Cone Holder	
FRACTIONAL $\pm 1/16"$		SIZE PART NO.	
ANGULAR: MACH $\pm 0.25^\circ$ BEND $\pm 1.5^\circ$		A	ITD1179
TWO PLACE DECIMAL $\pm 0.020"$			
THREE PLACE DECIMAL $\pm 0.005"$		SHEET SCALE 1:5	
MATERIAL: See BOM		SHEET 1 of 1	
DO NOT SCALE DRAWING			