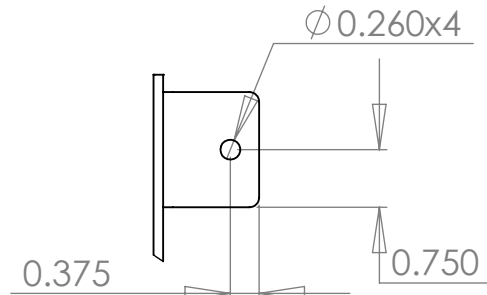
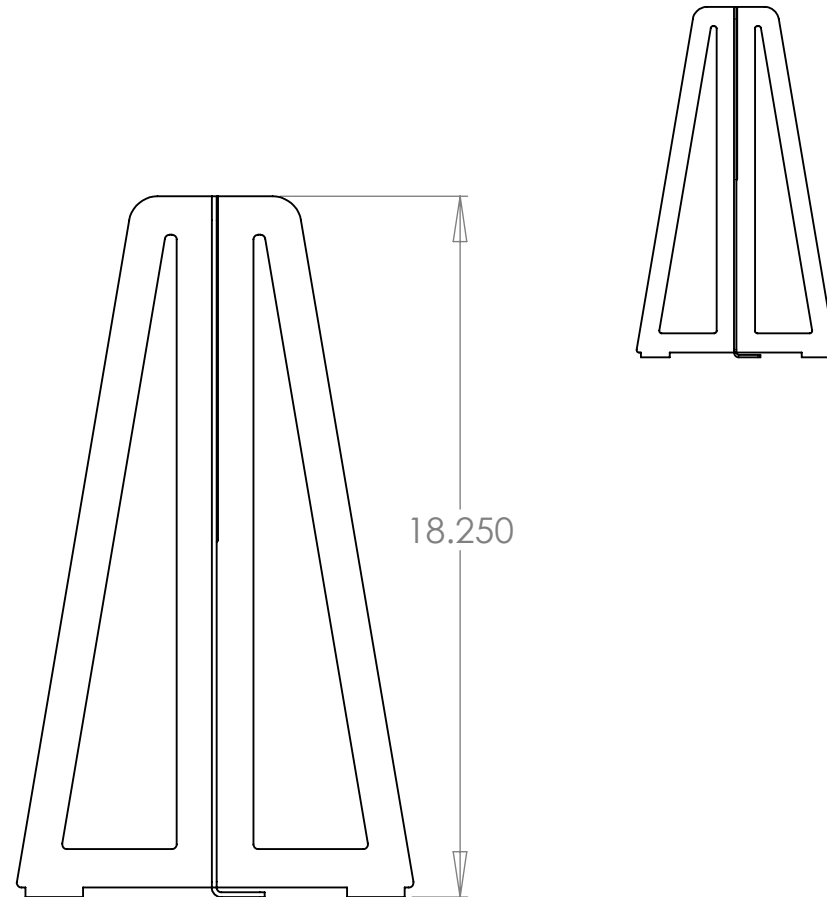
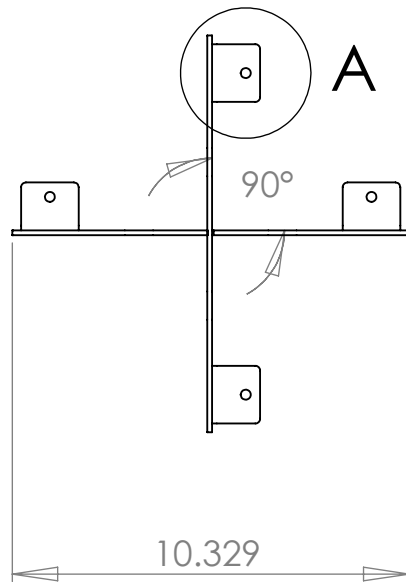


REV.	DESCRIPTION	DATE	APPROVED
------	-------------	------	----------



DETAIL A  
SCALE 2 : 5



.125" 5052 Aluminum Sheet

DRAWN BY: KBH DRAWN DATE: 1/27/2009 UNLESS OTHERWISE SPECIFIED: DIMENSIONS ARE IN INCHES TOLERANCES: FRACTIONAL $\pm 1/16"$ ANGULAR: MACH $\pm 0.25^\circ$ BEND $\pm 1.5^\circ$ TWO PLACE DECIMAL $\pm 0.020"$ THREE PLACE DECIMAL $\pm 0.005"$ MATERIAL: See BOM DO NOT SCALE DRAWING	<b>Inventive LLC</b> In The Ditch Towing Products PART NAME <b>28" Deck Mnt. Cone Holder</b> SIZE PART NO. <b>A</b> ITD1180 SHEET SCALE 1:10	SHEET 1 of 1
--	--	--------------