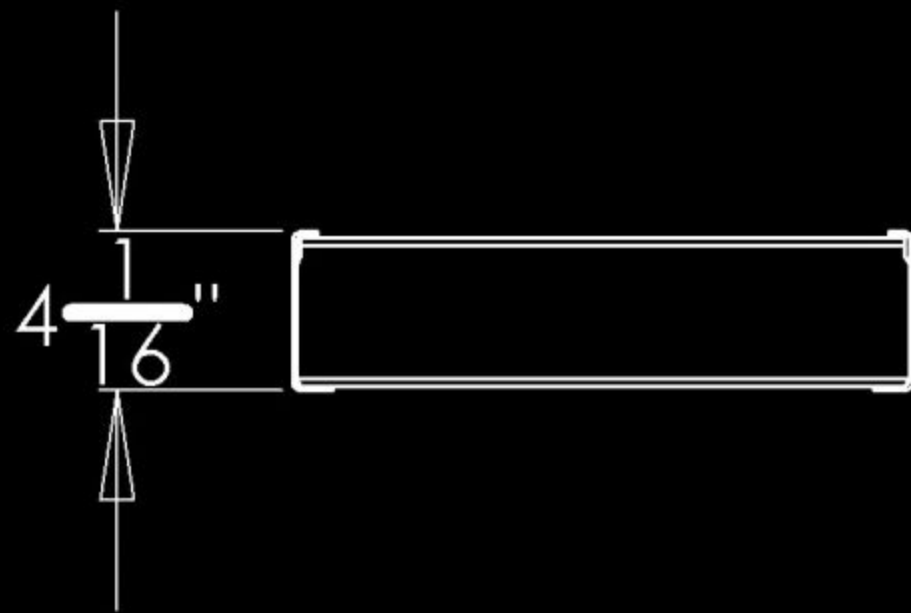
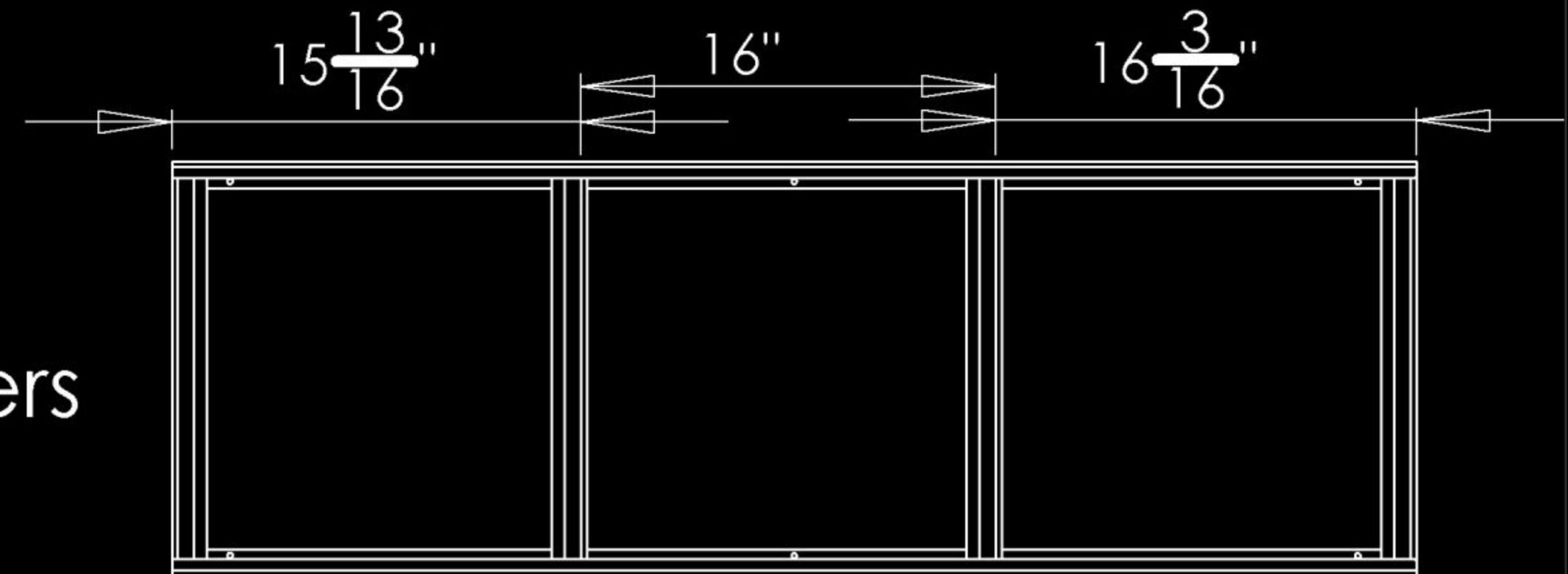
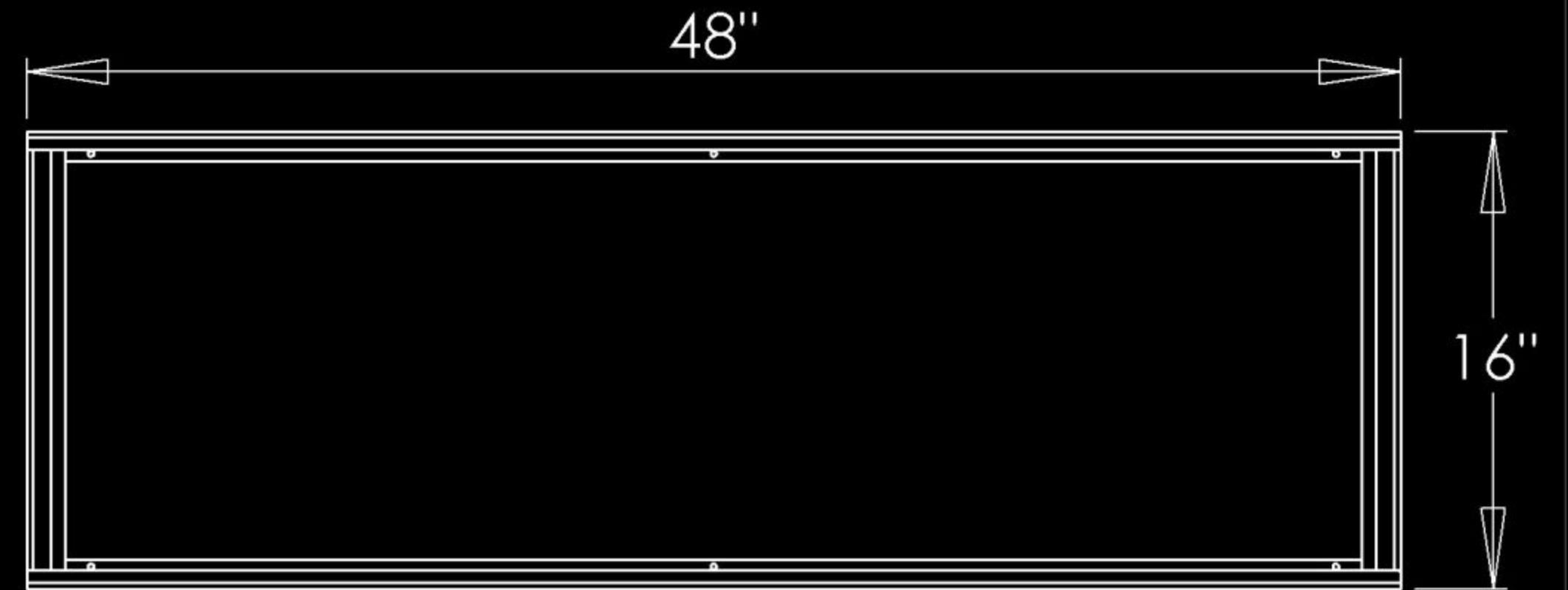


ITD1121
No Vertical Divider



ITD1121D
Has Vertical Dividers

REVISIONS			
REV.	DESCRIPTION	DATE	APPROVED
A	Release For Manufacture	10/6/2006	KBH
B	Changed to bent center divider	1/4/2007	KBH
C	Changed Build Procedure	2/1/2007	KBH



DRAWN BY: KBH DRAWN DATE: 8/24/2006
 UNLESS OTHERWISE SPECIFIED:
 DIMENSIONS ARE IN INCHES
 TOLERANCES:
 FRACTIONAL ± 1/16"
 ANGULAR: MACH ± 0.25° BEND ± 1.5°
 TWO PLACE DECIMAL ± 0.020"
 THREE PLACE DECIMAL ± 0.005"
 MATERIAL: See BOM
 DO NOT SCALE DRAWING

Inventive LLC
 In The Ditch Towing Products
 PART NAME
 48 in. Alum Box Top
 SIZE PART NO.
A 1066D - Divider
 SHEET SCALE 1:12 SHEET 1 of 1