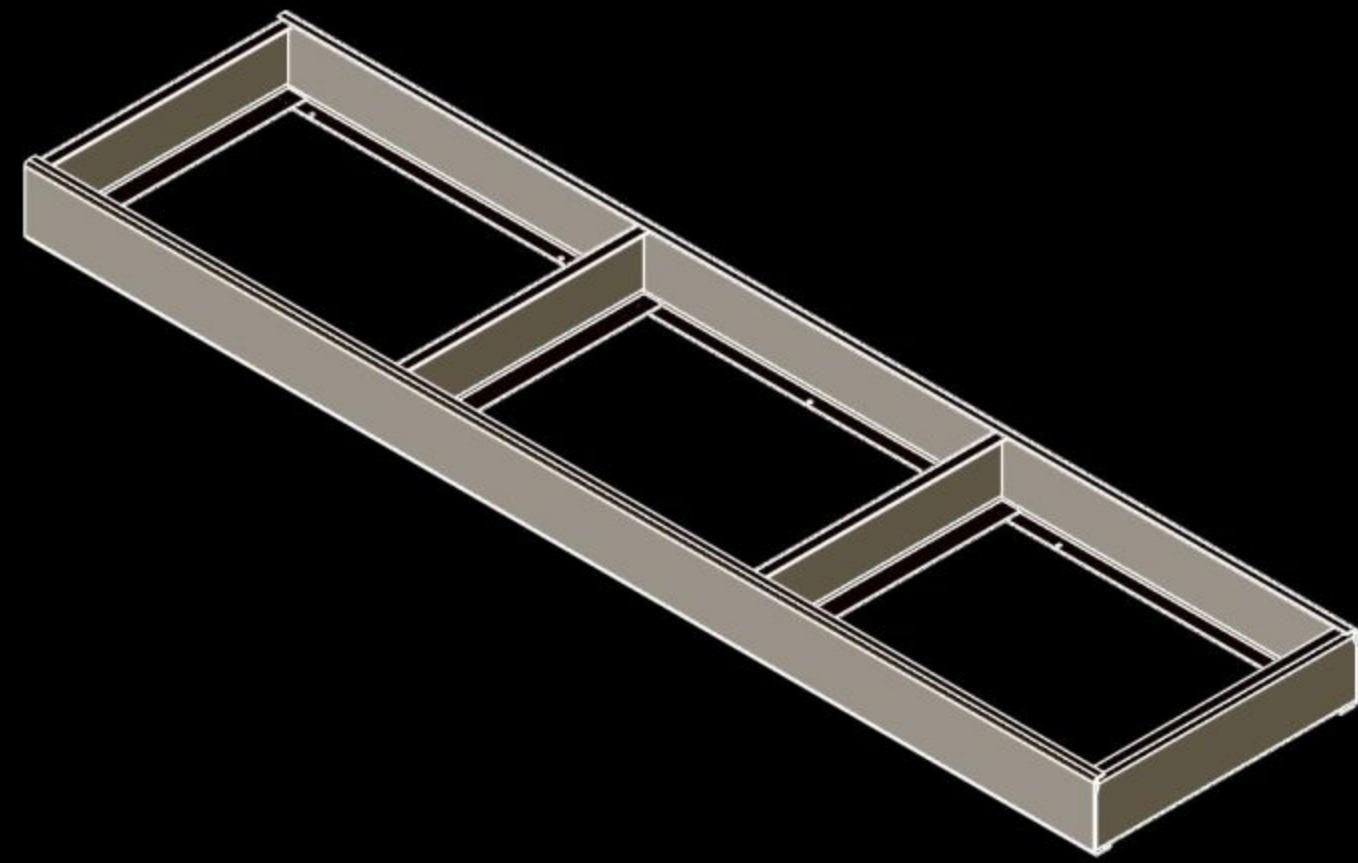
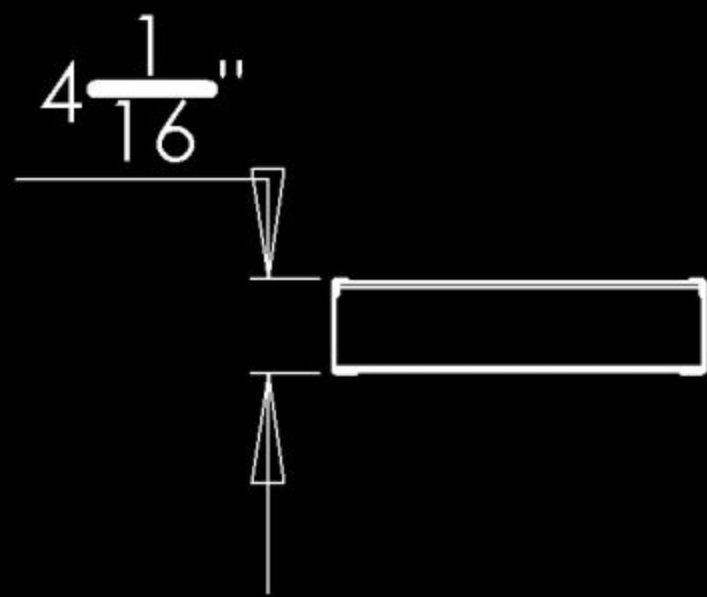
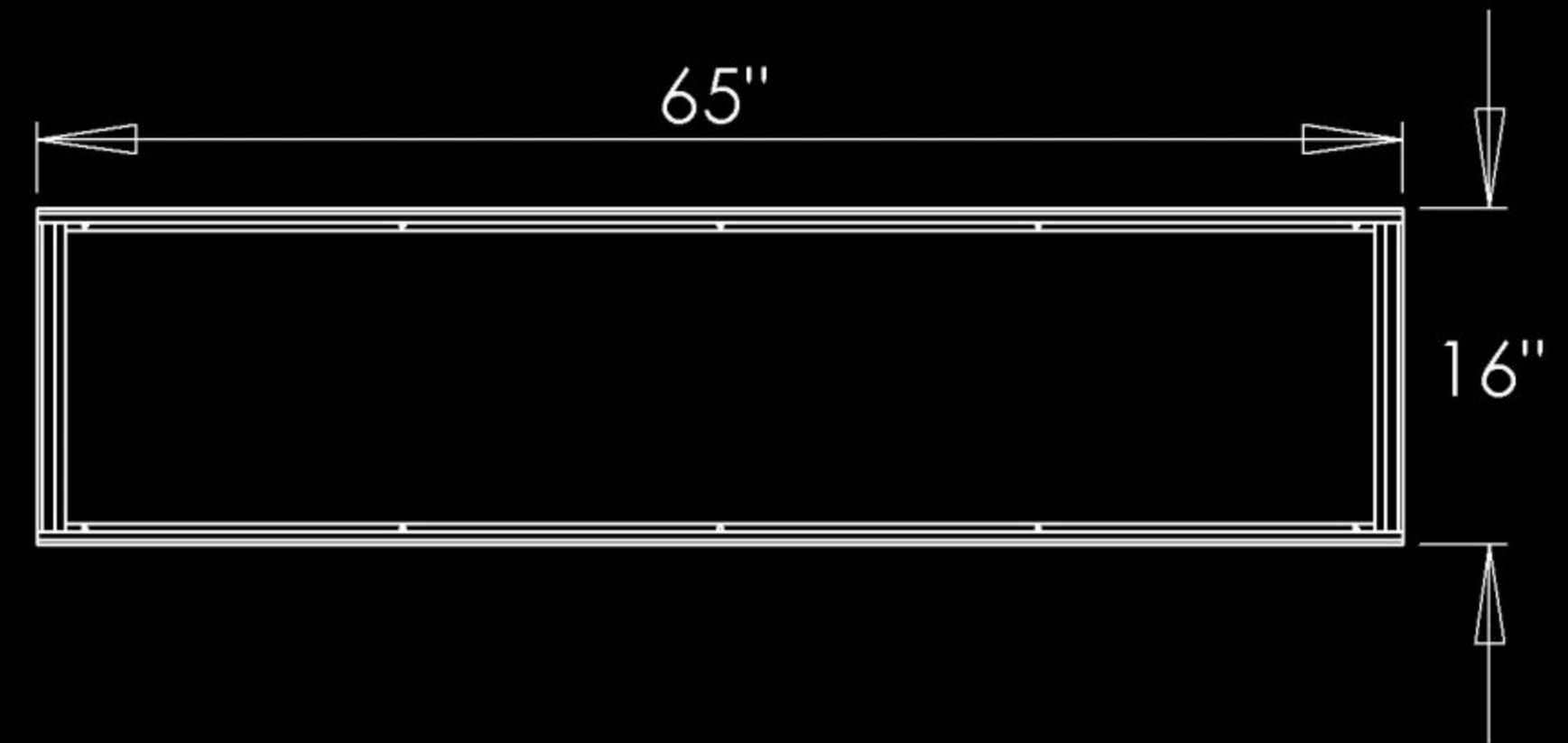


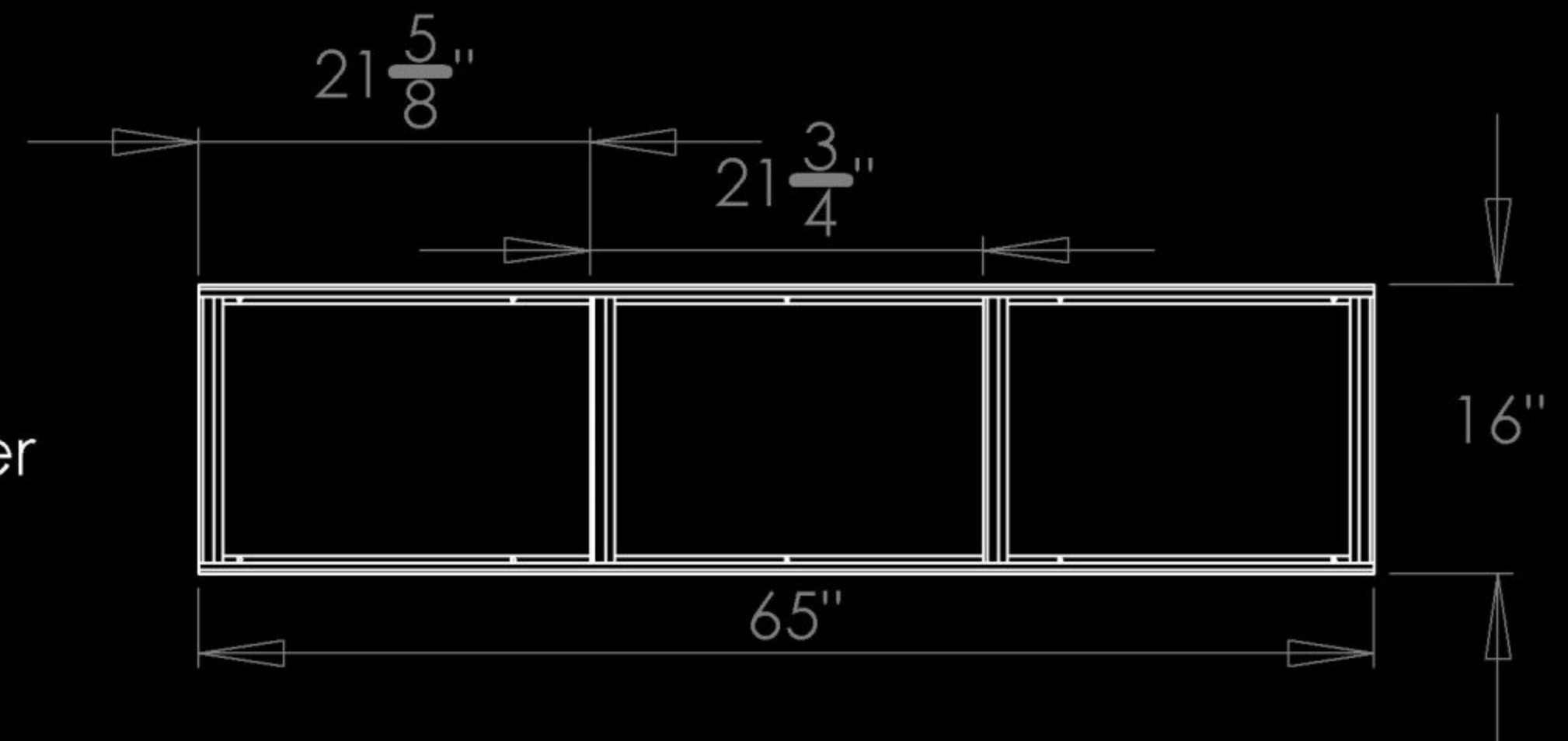
REV.	DESCRIPTION	DATE	APPROVED
------	-------------	------	----------



ITD1122 No Divider



ITD1122D With Divider



DRAWN BY: KBH DRAWN DATE: 12/13/2012
 UNLESS OTHERWISE SPECIFIED:
 DIMENSIONS ARE IN INCHES
 TOLERANCES:
 FRACTIONAL ± 1/16"
 ANGULAR: MACH ± 0.25° BEND ± 1.5°
 TWO PLACE DECIMAL ± 0.020"
 THREE PLACE DECIMAL ± 0.005"
 MATERIAL: See BOM
 DO NOT SCALE DRAWING

Inventive LLC
 In The Ditch Towing Products
 PART NAME
 65" Alum Box Top
 SIZE PART NO.
A ITD1122-01
 SHEET SCALE 1:20 SHEET 1 of 1