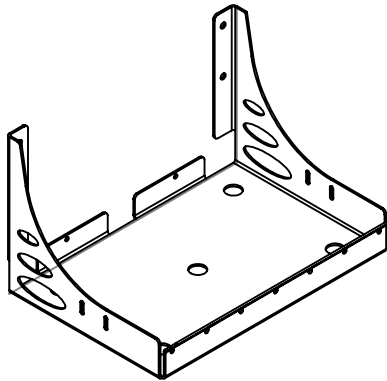
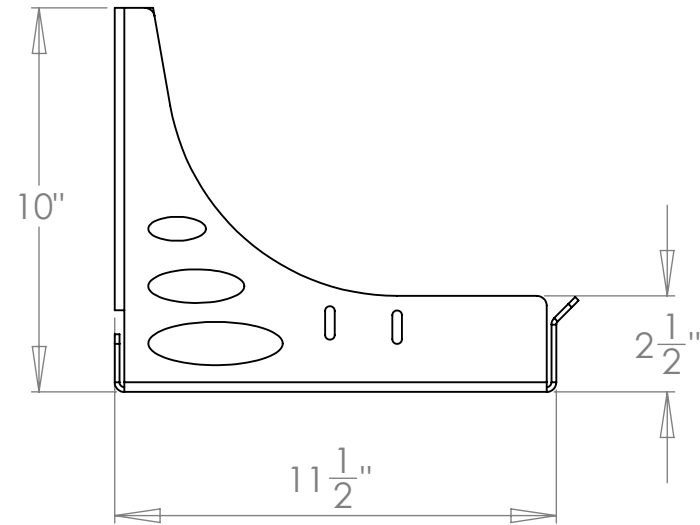
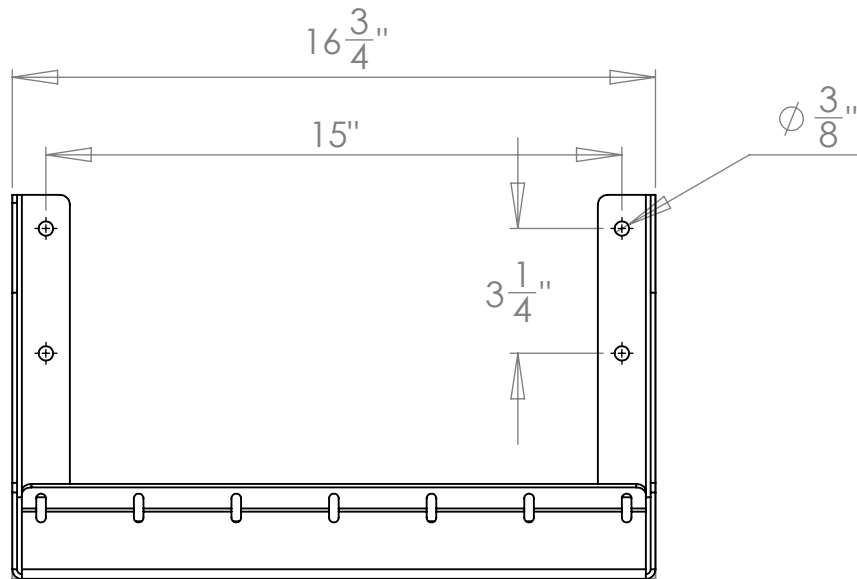


| REV. | DESCRIPTION | DATE | APPROVED |
|------|-------------|------|----------|
|------|-------------|------|----------|



.125" 5052 Aluminum Sheet

| | | |
|---|---|--------------|
| DRAWN BY: KBH DRAWN DATE: 7/31/2012 UNLESS OTHERWISE SPECIFIED: DIMENSIONS ARE IN INCHES TOLERANCES: FRACTIONAL $\pm 1/16$ " ANGULAR: MACH $\pm 0.25^\circ$ BEND $\pm 1.5^\circ$ TWO PLACE DECIMAL ± 0.020 " THREE PLACE DECIMAL ± 0.005 " MATERIAL: See BOM DO NOT SCALE DRAWING | Inventive LLC In The Ditch Towing Products PART NAME Universal Bracket SIZE PART NO. A ITD1285 SHEET SCALE 1:10 | SHEET 1 of 1 |
|---|---|--------------|