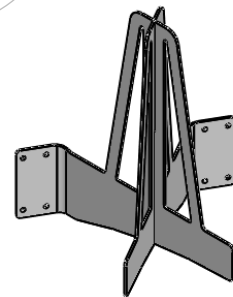
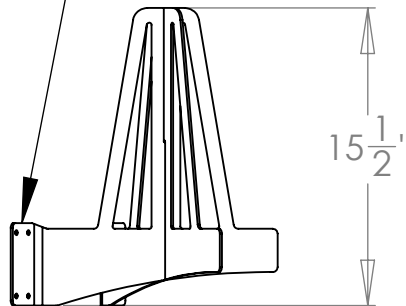
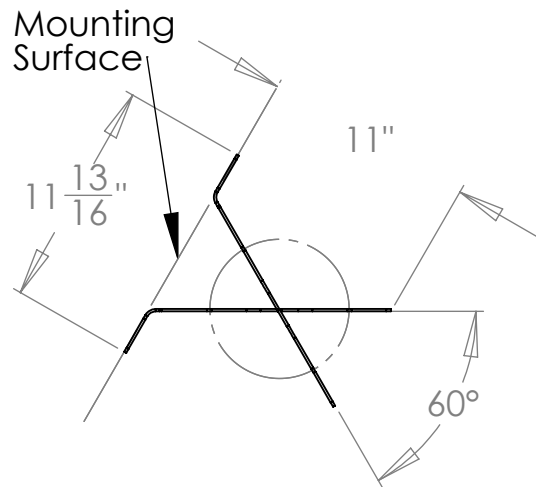
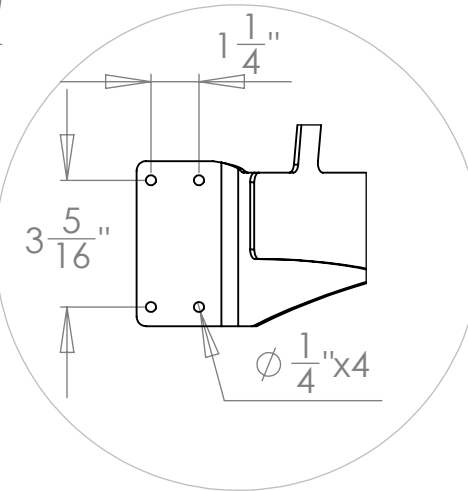


ITD1102



ITD1135

Dimensions for reference only.

In The Ditch Towing Products	
PART NAME 28" Vert. Mnt. Cone Holder	
SIZE PART NO.	ITD1102
A	
SHEET SCALE 1:10	SHEET 1 of 1