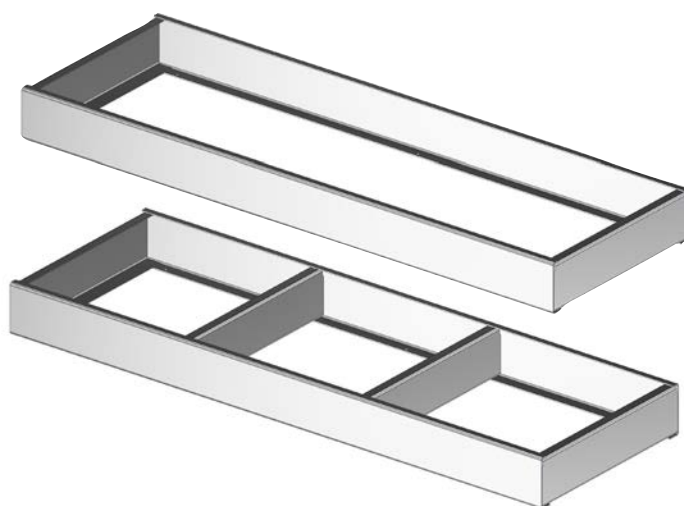
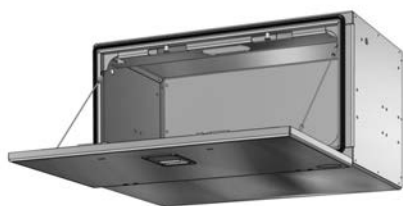




www.intheditch.com

TOOL BOX AND ACCESSORIES INSTALLATION GUIDE



Includes installation instructions for: Pro Series™ Tool Boxes, Quick™ Mounts, Storage™ Fenders, Box Top Trays, Lumber Baskets, Air Fitting, Jack Bracket, Full Shelf, Half Shelf, 36" Shelf, and more ...

TABLE OF CONTENTS

Configuration Overview	Pg 2
Warranty Information	Pg 3-4
Quick™ Mounts	Pg 13
Pro Series™ Tool Boxes	Pg 19
Storage™ Fenders	Pg 25
Tool Box Accessories	Pg 32
Box Top Trays	Pg 33
Tool Box Shelving	Pg 35
Pro Series™ Slide Out Drawer	Pg 38
Jack Bracket	Pg 39
Air and Wiring Bracket	Pg 40
Lumber Baskets	Pg 41
Trash Can Mounts	Pg 42



www.intheditch.com • sales@intheditch.com
1-888-993-4824 • 208 -587-7960
3195 Industrial Way • Mountain Home, ID 83647 • USA

CONFIGURATION OVERVIEW



208-587-7960

www.intheditch.com

WARRANTY INFORMATION

ITD0688R3

Limited Warranty

In The Ditch Towing Products (also referred to herein as ITD) warrants to the original purchaser that new ITD manufactured goods will be free from defects in material and workmanship for a period of twelve (12) months from the date placed in service. The purchaser must promptly notify ITD in writing of any failure in material or workmanship. In no event shall ITD accept such notification later than twelve (12) months from the date placed in service.

ITD's obligation under this warranty, statutory or otherwise, is limited to the repair or replacement at the ITD factory, or at a point designated by ITD, of such part or parts as shall appear upon inspection by ITD to be defective in material or workmanship. This warranty is not transferable. This warranty does not obligate ITD to bear the cost of labor or transportation charges in connection with the repair or replacement of any part(s) found to be defective, nor shall it apply to a product upon which repairs or alterations have been made unless such repairs or alterations were authorized by ITD.

Except as expressly set forth in this warranty, ITD makes no other warranty, express or implied, and hereby disclaims all other warranties including, but not limited to, the implied warranties of merchantability and fitness for a particular purpose. ITD shall in no event be liable for any claims for downtime, loss of profits or goodwill, or any claims for other special, incidental, indirect, or consequential damages concerning or relating to any product or parts, whether based on negligence, strict liability, breach of contract, breach of warranty, misrepresentation, or any other legal theory, regardless of whether the loss resulted from any general or particular requirement which ITD knew or had reason to know about at the time of sale.

ITD makes no warranty, express or implied, as to the finished products manufactured or supplied by another manufacturer and supplied by ITD to purchaser, including, but not limited to, any vehicle to which an ITD product may be affixed or any accessories, and ITD expressly disclaims any implied warranties of merchantability and fitness for a particular purpose as to such equipment or products. This language shall in no way affect or diminish the rights of the purchaser to rely on such warranties as are extended by such manufacturers or suppliers. ITD shall, to the extent permitted under applicable law, pass on to the purchaser such manufacturer's or seller's warranty.

The customer must obtain and present a written authorization number from ITD prior to any work beginning, and the customer agrees to bear all costs. Please note: Merchandise covered by a manufacturer's warranty must be sent directly to the manufacturer for replacement or repair. ITD, whose policy is one of continuous improvement, reserves the right to improve its products through changes in design or materials as it may deem desirable without being obligated to incorporate such changes in any products previously sold.

This warranty is not intended to cover and shall not apply or include the following items, which are set forth by way of example only: normal deterioration of trim, paint, lettering, appearance of items due to wear or exposure to weather, road conditions, road treatments, etc.; any damage or defect due to accident, misuse, abuse, operation exceeding rated loads, improper or unauthorized repairs, failure to provide reasonable and necessary maintenance, or uses in respect of which the equipment was not designed or intended; alterations or modifications that affect performance, operations, or reliability.

It is expressly understood that ITD makes no implied or express warranty that ITD manufactured goods shall be fit for the purpose of lifting or moving people or for any other improper use. Field modification of this unit without the advice and written consent of the ITD Engineering Department will void all warranties and any guarantees pertaining to both purchased components used in the manufacture of this unit, as well as structurally fabricated parts supplied by ITD. Use of other than factory or factory authorized parts will render the warranty void.

Notice to Owner or User

It is very important that you properly fill out your product registration form at registration.intheditch.com to register your equipment. By submitting the information within 15 days of your purchase, your warranty will be validated, ensuring that your equipment will be protected subject to the terms and conditions set out herein. In the event we need to contact you concerning your registered equipment, Product Updates, Service Bulletins, or Product Recalls, the information you have provided on the product registration form will ensure your immediate notification. Do your part and let us help you by filling out your product registration form.

Installation Guidelines

Due to variances in manufacturers' wrecker bodies, truck bodies and mounting surfaces, ITD cannot provide explicit mounting requirements for every mounting option. These instructions are to serve only as a guideline. Final installation requirements are left to the discretion of a qualified installer.

Assumption of Risk

Towing and recovery (collectively "Towing") is by nature an inherently dangerous activity. As a consequence, towing operators assume the risk of serious injury or death. ITD products are only intended to be used solely by towing operators who have the requisite training and experience who not only understand the proper use of the product/s but also fully understand all risks associated with towing.

If you do not have the requisite experience and training as a towing operator DO NOT USE these products.

WARRANTY INFORMATION

ITD0688R3

Inspection

- ITD requires that each operator of a truck or transport vehicle perform a detailed circle check before and after each use of the truck or transport vehicle. This inspection must include the power unit, the towing unit, and all items installed on the unit.
- Do not take chances with your life or other people's lives. Make sure all items are secured and in safe working order.
- Always inspect products for any signs of paint cracking, metal fatigue or premature wear.
- Maintain a visual inspection along with grabbing the products and wiggling or pulling on it to make sure there is no way anything can become dislodged from its mount.
- Remove from service immediately if repairs are needed. Do not take chances.

Paint, Powder Coated and Polished Finishes:

The ITD warranty does not cover coatings or finishes, of powder coated products, galvanized products, zinc plated products, bare aluminum products, polished or non-polished stainless steel products or finishes. This includes, but is not limited to, scratches, peeling, chipping, hazing, dulling of finish or surface.

Modifications to ITD Products

- DO NOT modify or tamper with any ITD Product. Doing so will void any applicable warranty and may result in serious injury or death.
- Warranties will be voided if any ITD Product is modified or tampered with.

Securement

- The driver/operator must verify that all hardware is secure and tight. This includes, but is not limited to, mounting hardware and retaining systems.
- It is the driver /operator's responsibility to ensure that nothing can come loose from any part of the truck or transport vehicle or the vehicle being towed. It is the operator's responsibility to make sure that all items are in good working order and are properly secured.
- Only a qualified installer should mount ITD equipment. It is the installer's responsibility to ensure mounts are secure.
- It is the operator's responsibility to ensure his or her load is secured properly to the mounts.
- ITD recommends taking this approach to load/product securement:
 1. Imagine if you took your truck and turned it upside down. Nothing should fall out of or off of the truck.
 2. Now imagine if you stood the truck on the end where the front bumper was facing straight up into the sky. Nothing should fall out of or off the truck.
 3. Now imagine the rear bumper was facing the sky. Nothing should fall out of or off of the truck.

Mix and Matching of different Manufacturer's Products

- Only use In The Ditch brand mounts with In The Ditch Products.
- Only use In The Ditch brand replacement parts for In The Ditch brand products.
- Failure to do so may result in voiding any applicable warranty and serious bodily injury or death.



PAGE INTENTIONALLY LEFT BLANK



PAGE INTENTIONALLY LEFT BLANK

1

How to select the correct Quick™ Mount

Measure the distance between your truck deck and frame to determine what type of deck you have.

For decks that are roughly 4" - 6" above the truck chassis.

SUGGESTED MOUNT **ITD1580**
20.5" Quick™ Mounts to mount tool box(es)

For decks that are roughly 6" - 8" above the truck chassis.

SUGGESTED MOUNT **ITD1588**
18.5" Quick™ Mounts to mount tool box(es)

For decks that are roughly 8" - 10" above the truck chassis.

SUGGESTED MOUNT **ITD1584**
16.5" Quick™ Mounts to mount tool box(es)

For decks that are roughly 10" - 11" above the truck chassis.

SUGGESTED MOUNT **ITD1581**
14.5" Quick™ Mounts to mount tool box(es)

WARNING

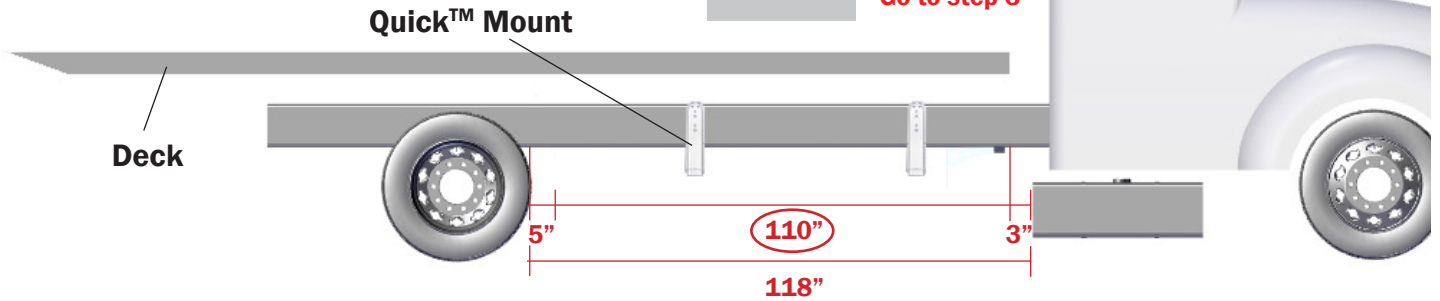
For installation please use as guideline only.

2

Measure Your Usable Truck Space

	Example	Your Truck
Measure from first obstruction to front of rear tire	118"	_____
Subtract a minimum of 5" for Wheel Clearance	-5"	-5"
Subtract a minimum of 3" from first obstruction	-3"	-3"
Total Usable Space for Pro Series™ Tool Box Configuration	= 110"	= _____ 2A

Go to step 3

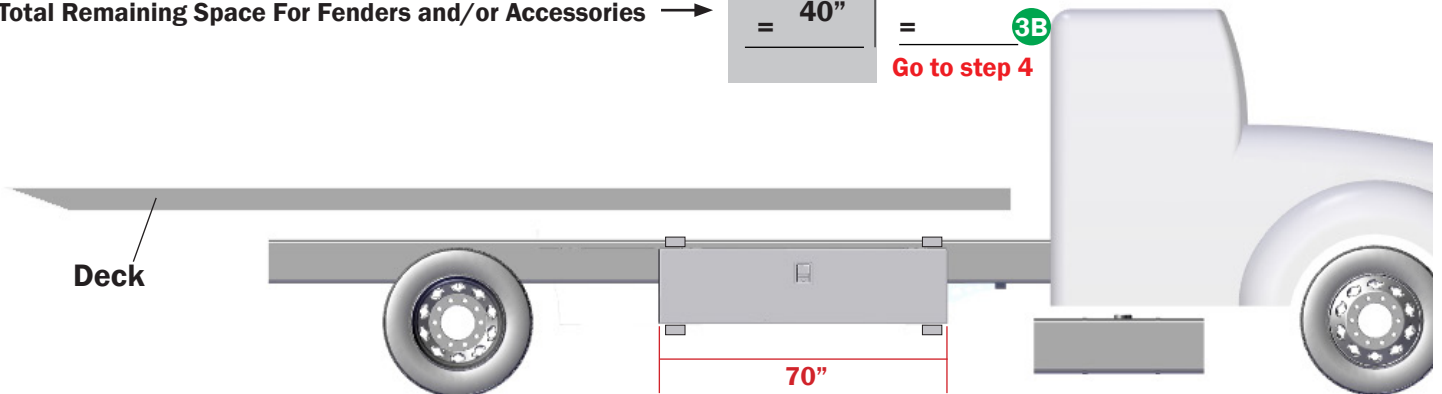


3

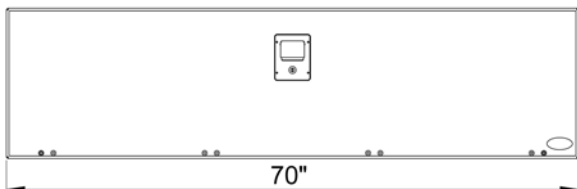
Choose Your Pro Series™ Tool Box(es)

	Example	Your Truck
Total Usable Space for Pro Series™ Tool Box Configuration	110"	_____ 2A
Subtract Total Length of Tool Box(es) Pick any tool box or combination of tool boxes to get this measurement	-70"	- _____ 3A
Total Remaining Space For Fenders and/or Accessories	= 40"	= _____ 3B

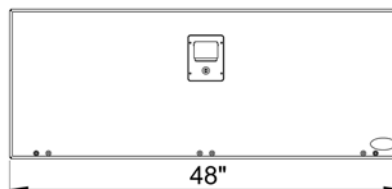
Go to step 4



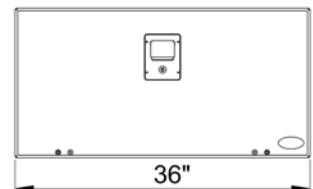
Lengths of Pro Series™ Tool Boxes to Choose From:



70" Pro Series™ Tool Box ITD1570



48" Pro Series™ Tool Box ITD1548



36" Pro Series™ Tool Box ITD1536

4

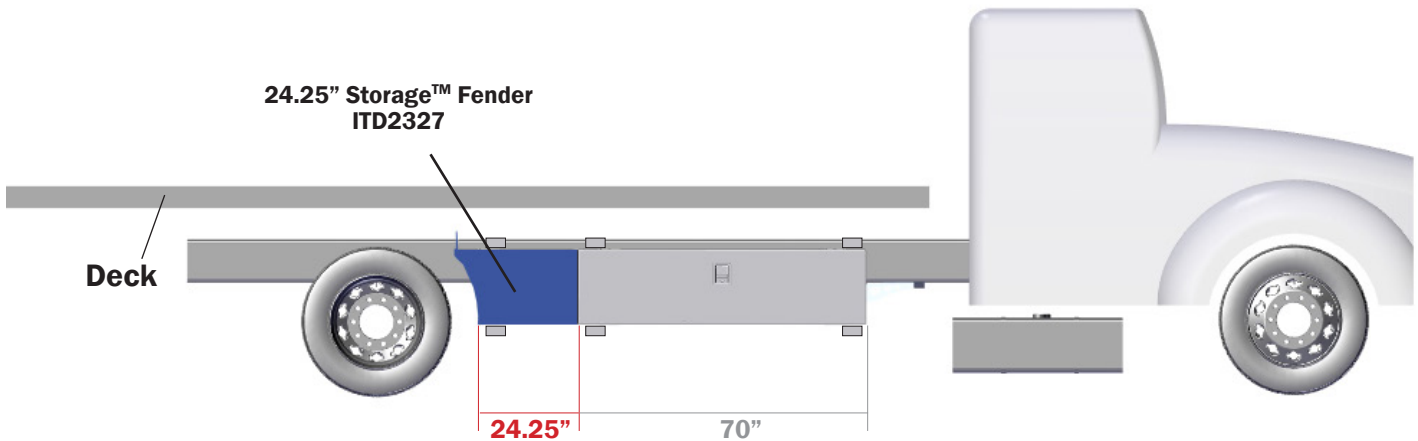
Choose Your Storage™ Fender

Pro Series™ Tool Box and Fender Combination

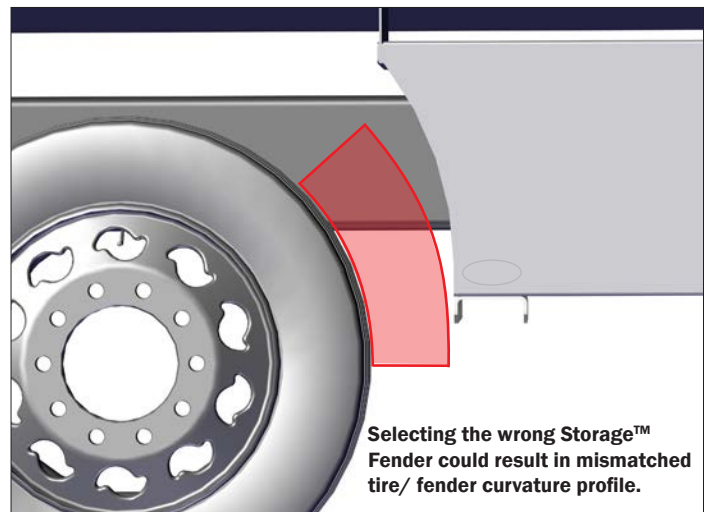
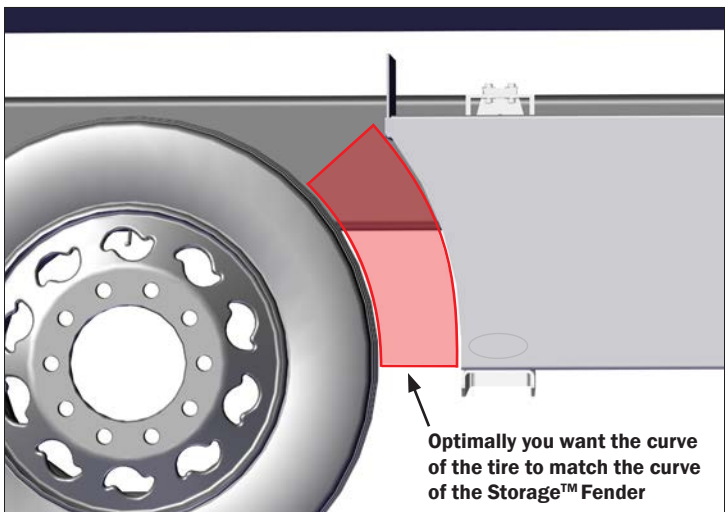
Move Tool Box location forward, closer to obstruction/chassis (Leave minimum of 3" clearance. See step 2.)

	Example	Your Truck
Total Usable Truck Space	110"	2A
Total Length of Tool Box(es)	-70"	3A
Total Remaining Space	=40"	3B
Subtract BOTTOM LENGTH of Storage™ Fender	-24.25"	4A
Total Remaining Space for Accessories	= 15.75"	4B

Go to step 5



We have four different styles of Storage™ fenders, each of which accommodates a different wheel curvature. Each of these styles is available in four sizes (Grouped and color-coded on the page to the right). This gives the truck installer sixteen different Storage™ Fenders to choose from, and allows them to select the best profile for any given usable truck space.



Storage™ Fenders to Choose From:

16.75" Storage™ Fender ITD2328	24.25" Storage™ Fender ITD2327	34.75" Storage™ Fender ITD2329	42.75" Storage™ Fender ITD2333

16.75" Storage™ Fender ITD2594	24.25" Storage™ Fender ITD2593	34.75" Storage™ Fender ITD2592	42.75" Storage™ Fender ITD2591

16.75" Storage™ Fender ITD2544	24.25" Storage™ Fender ITD2543	34.75" Storage™ Fender ITD2542	42.75" Storage™ Fender ITD2541

16.75" Storage™ Fender ITD2364	24.25" Storage™ Fender ITD2363	34.75" Storage™ Fender ITD2362	42.75" Storage™ Fender ITD2361

5

Choose Your Accessories

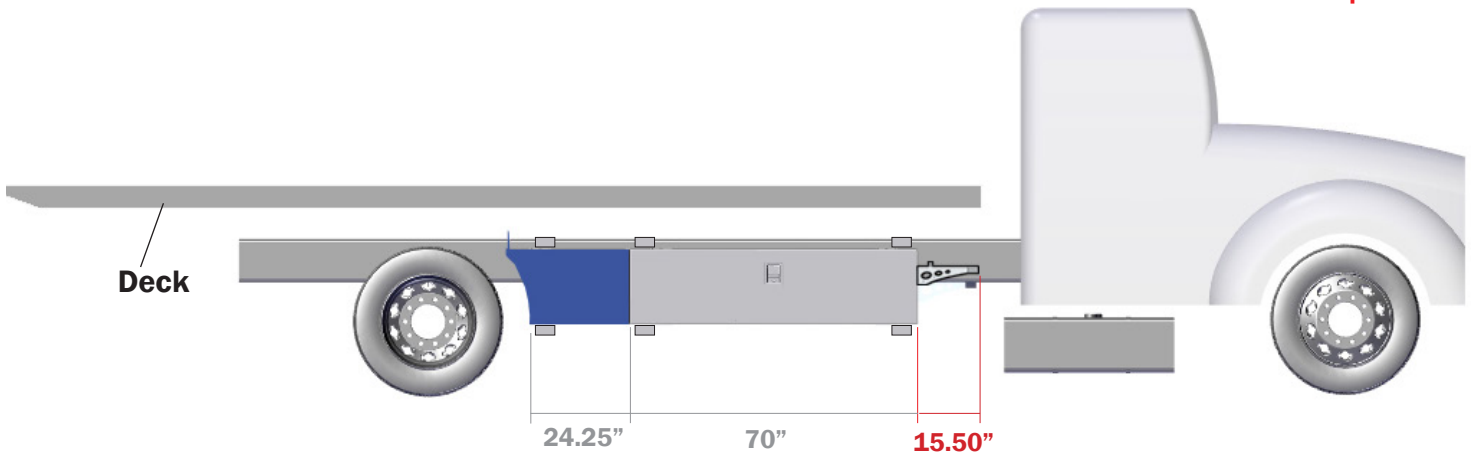
Pro Series™ Tool Accessory Combination

Subtract length of accessory product on front of tool box first, then calculate length of fender

Total Usable Truck Space →
 Total Length of Tool Box(es) →
 Total Bottom Length of Storage™ Fender →
 Total Remaining Space →
 Subtract length of accessory →
 Total Remaining Space →

Example	Your Truck
110"	2A
-70"	3A
-24.25"	4A
= 15.75"	4B
-15.50"	5A
= 0.25"	

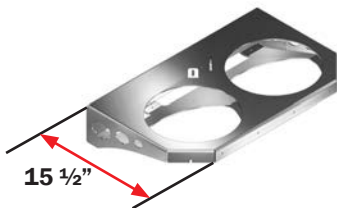
Go to step 6



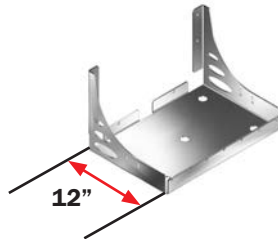
We recommend you bolt the tool box and fender together on the shop floor, then place on Quick™ Mounts and center for the best look.

Accessories to Choose From:

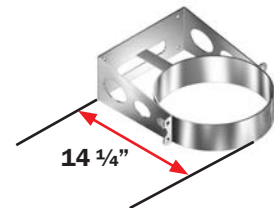
This is a small selection of accessories to choose from. Go to www.intheditch.com for a complete selection of Pro Series™ Tool Box accessories.



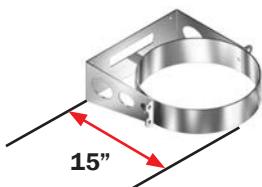
Dual Trash Can Mount
ITD1270



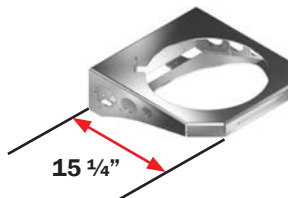
Universal Storage™ Mount
ITD1285



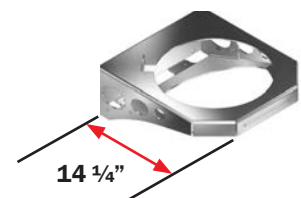
4 Gallon Trash Can Mount
ITD1052



6 Gallon Trash Can Mount
ITD1056



6 Gallon Extreme Duty
Trash Can Mount ITD1374



4 Gallon Extreme
Trash Can Mount ITD1378

6

Measure your configuration for Box Top Trays

Measure the TOP of your Tool Box/Fender configuration. Refer to products below for dimensions.

Available sizes of Box Top Trays

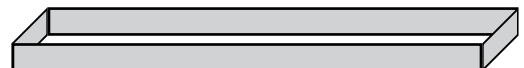
ITD1066
ITD1066-D

36" Long x 4" Tall



ITD1122
ITD1122-D

65" Long x 4" Tall



ITD1121
ITD1121-D

48" Long x 4" Tall



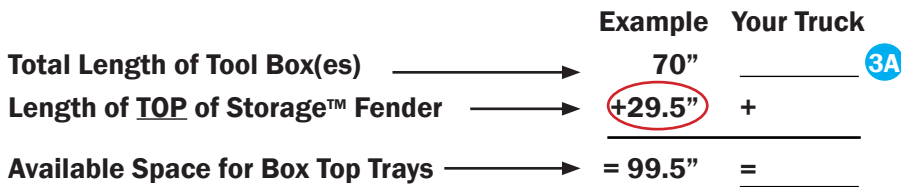
ITD1067
ITD1067-D

70" Long x 4" Tall



ITD1098
ITD1098-D

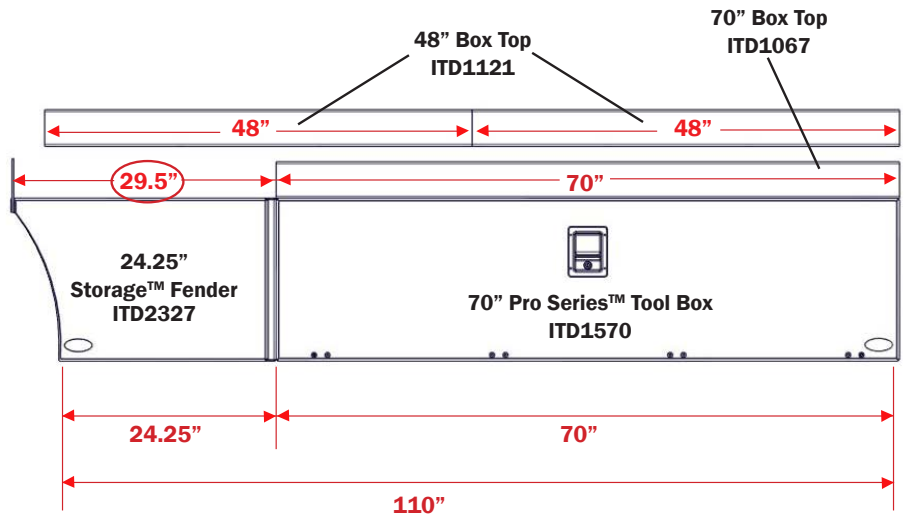
60" Long x 4" Tall



Choose Box Top or combination of Box Tops closest in length to your available space.

In the example below, we used

(2) 48" Box Top Trays, equaling 96".



Example of configuration with Storage™ Fender and Box Tops full length of configuration



Example of configuration with Storage™ Fender and Box Tops over tool box only



QUICK™ MOUNTS



208-587-7960
www.intheditch.com

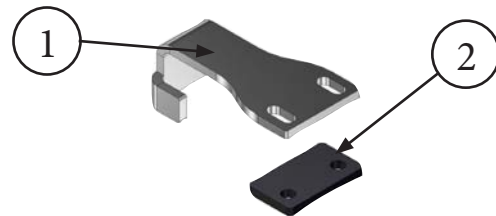
Covering Models

PART#	DESCRIPTION
ITD1580	20.5" Tuff Coat Black
ITD1580-GLV	20.5" Galvanized
ITD1588	18.5" Tuff Coat Black
ITD1588-GLV	18.5" Galvanized
ITD1584	16.5" Tuff Coat Black
ITD1584-GLV	16.5" Galvanized
ITD1581	14.5" Tuff Coat Black
ITD1581-GLV	14.5" Galvanized



Will work with most inboard or outboard tilt cylinders. Relief on ITD1580 and ITD1580-GLV will clear most hydraulic tanks. Mounting hardware is **NOT** included with this product.

REPLACEMENT PARTS		
ITEM#	PART#	DESCRIPTION
1	ITD6268	Quick™ Hang Tab
2	ITD6340	Mount Spacer



Quick™ Mount Stop Tab

ITD Quick™ Mounts come with a pre-bent stop tab for easy installation of Pro Series™ Tool Boxes. If you choose not to use the stop tab, flatten down with a hammer.



WARNING

Read all safety warnings & instructions carefully before mounting or operating your mount



Ensure you have the correct Quick™ Mount

Measure the distance between your truck deck and frame to determine what type of deck you have.

For decks that are roughly 4" - 6" above the truck chassis.

SUGGESTED MOUNT

ITD1580
20.5" Quick™ Mounts to mount tool box(es)

4" - 6"

Deck

Quick™ Mounts

20.5"

For decks that are roughly 6" - 8" above the truck chassis.

SUGGESTED MOUNT

ITD1588
18.5" Quick™ Mounts to mount tool box(es)

6" - 8"

Deck

Quick™ Mounts

18.5"

For decks that are roughly 8" - 10" above the truck chassis.

SUGGESTED MOUNT

ITD1584
16.5" Quick™ Mounts to mount tool box(es)

8" - 10"

Deck

Quick™ Mounts

16.5"

For decks that are roughly 10" - 11" above the truck chassis.

SUGGESTED MOUNT

ITD1581
14.5" Quick™ Mounts to mount tool box(es)

10" - 11"

Deck

Quick™ Mounts

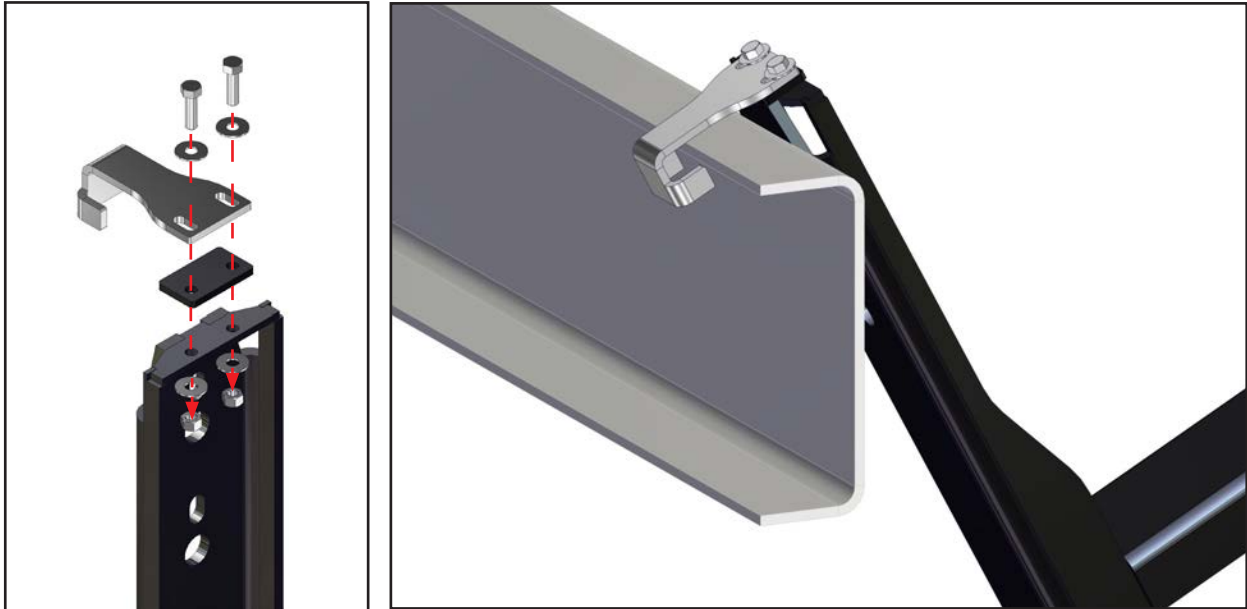
14.5"

WARNING

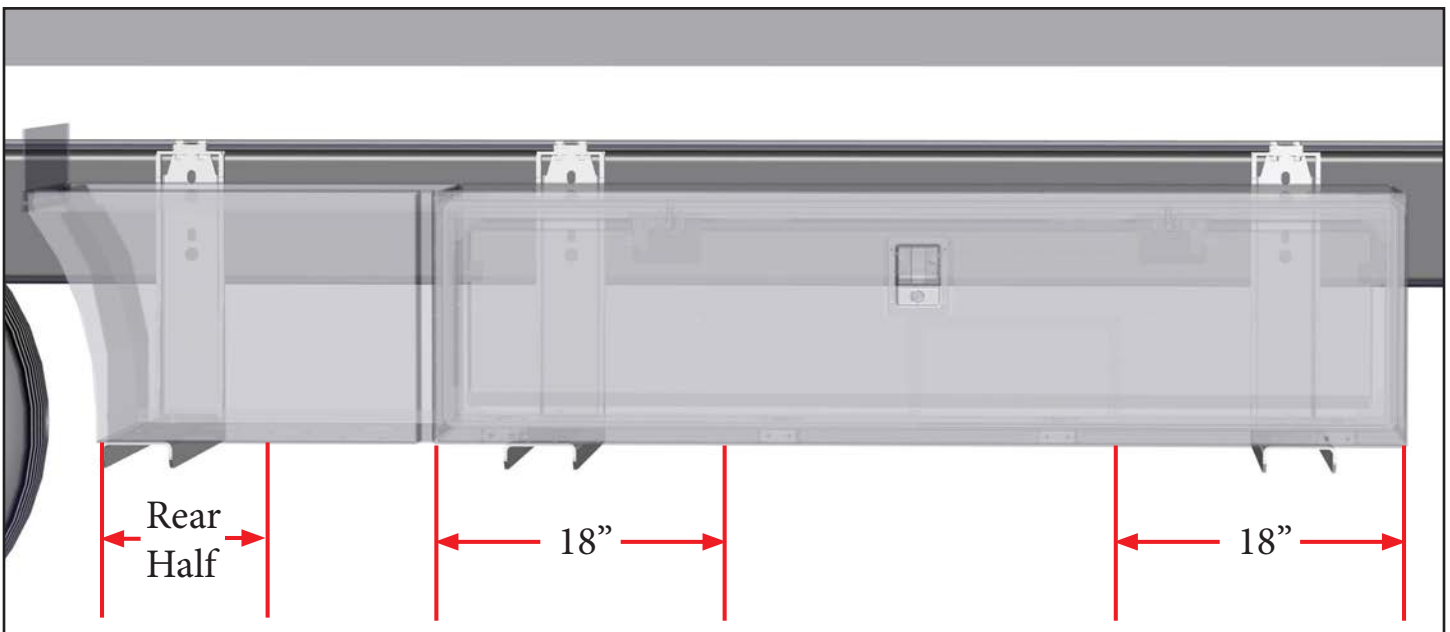
For installation please use as guideline only.

Quick™ Mount Installation

- 1 **Hang Quick™ Mounts**
Install Quick™ Hang Tab onto the Quick™ Mount. Hang the Quick™ Mount from the frame rail.



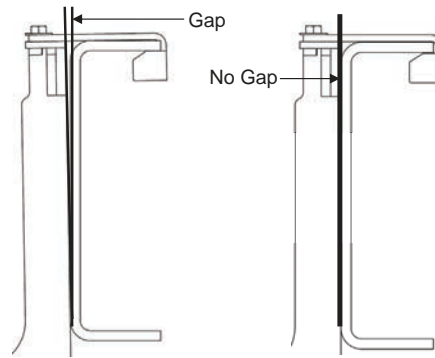
- 2 **Mount Locations**
Quick™ Mounts must be located within 18" of the ends of each box. Use a minimum of 2 Quick™ Mounts per Pro Series™ Tool Box and 1 for each Storage™ Fender. If you are going to exceed 600lbs. total load limit. We recommend 3 Quick™ Mounts on a Pro Series™ Tool Box.



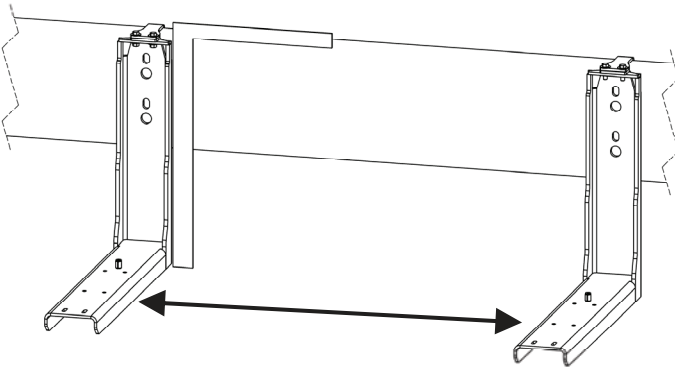
Number of Quick™ Mounts Needed

Each Pro Series™ Tool Box requires a minimum (2) Quick™ Mounts. Each Storage™ Fender requires (1) Quick™ Mount for support.

3 Verify Mount is Flush to Frame



4 Position Tool Box Mounts

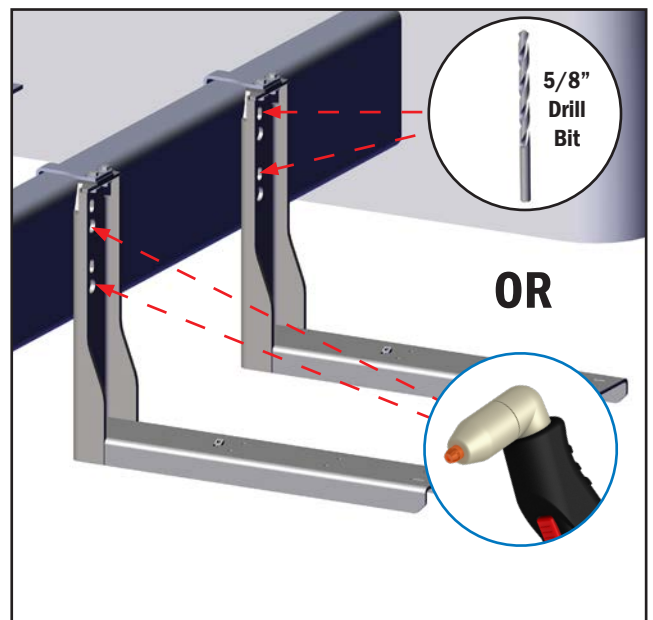
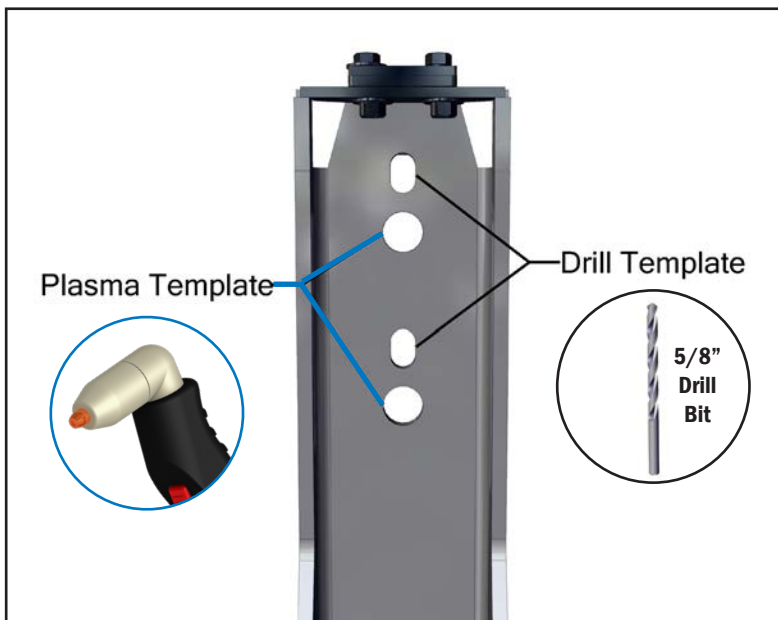


Once mounts are in position, check square with the top of the frame to make sure they are sitting plumb to the truck.

Each mount is rated for 300lb. Tool boxes require a minimum of 2 mounts each. Storage fenders require 1 mount each. Additional mounts may be required, this is up to the discretion of the installer.

5 Mounting Templates

Quick™ Mounts are designed with pre-install mounting templates to plasma cut or drill mounting holes in the truck frame. Use the templates to quickly and easily install the Quick™ Mounts.

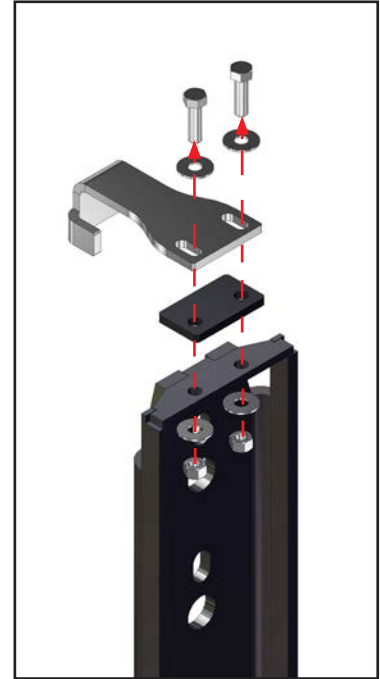
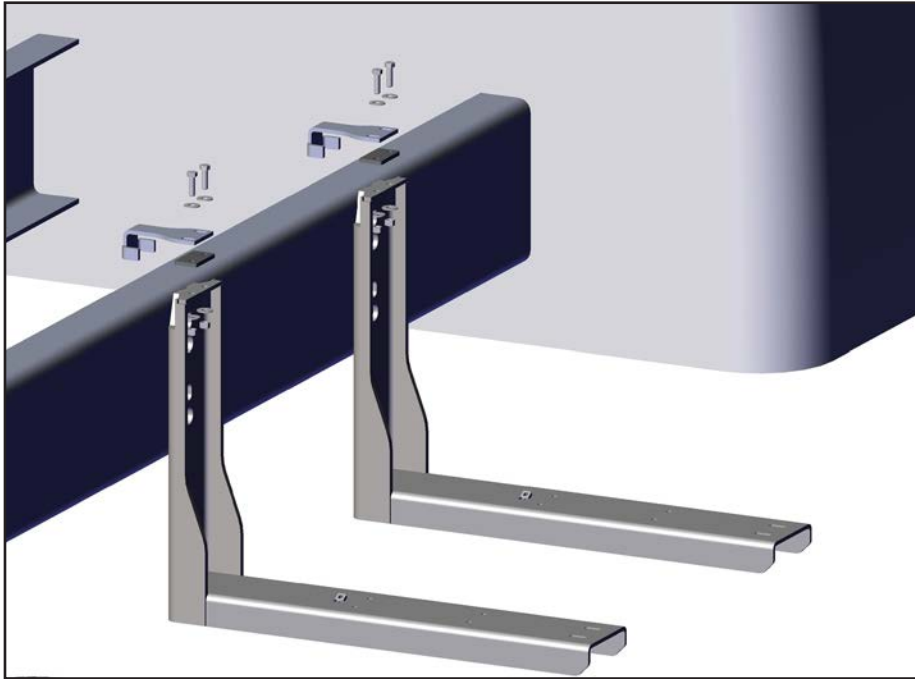


Use a minimum of two (2) - 5/8" grade 5 bolts to install mount to frame. Bolts must be properly torqued for installation. Mounting hardware **NOT** included.

6

Remove Quick™ Hang Tabs

Once the Quick™ Mounts are securely mounted to the frame rail, remove the Quick™ hang tabs.



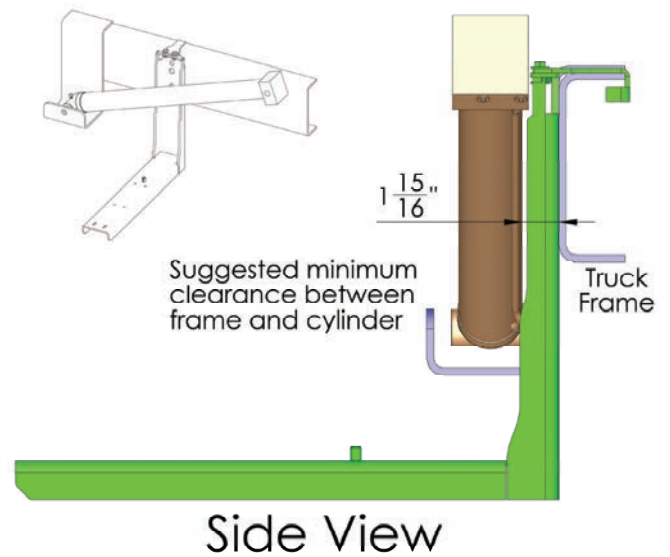
Keep tabs for future installations

Number of Quick™ Mounts Needed

Each Pro Series™ Tool Box requires a minimum (2) Quick™ Mounts. Each Storage™ Fender requires (1) Quick™ Mount for support.

Carriers with outboard tilt cylinders

Outboard tilt cylinders are a special application that requires additional measurements before mounting. With the wide variety of chassis/bed configurations available, verification of clearance should be done prior to mounting.



Side View

WARNING

Check for adequate bed clearance before mounting Tool Boxes, Box Tops, or Lumber Baskets.



PRO SERIES™ TOOL BOXES



208-587-7960

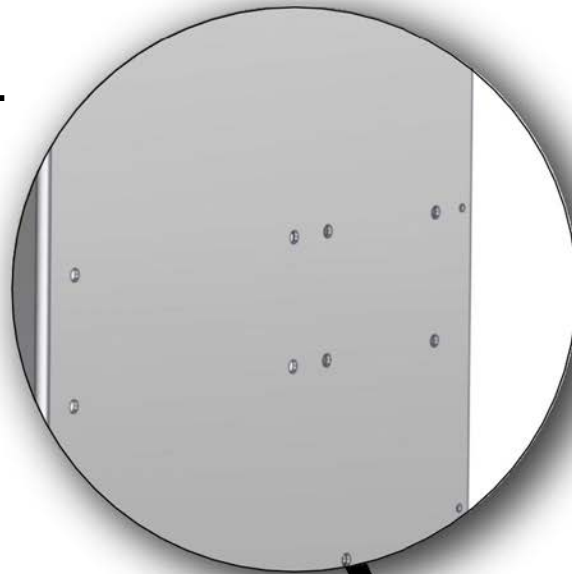
www.intheditch.com

Covering Models

PART#	DESCRIPTION
ITD1536	36" Pro Series™ Tool Box
ITD1548	48" Pro Series™ Tool Box
ITD1660	60" Pro Series™ Tool Box
ITD1570	70" Pro Series™ Tool Box

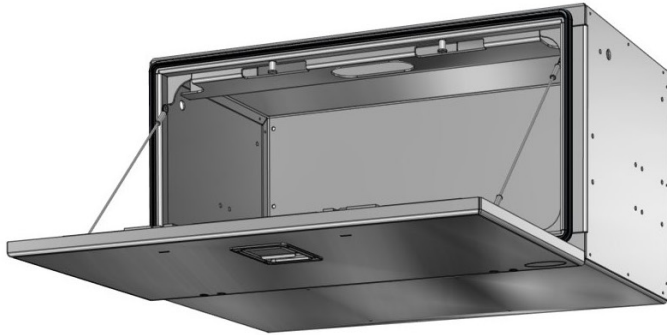
Pro Series™ Tool Boxes pre drilled accessory mounting holes

Pre-drilled for In The Ditch™ accessories. Just pop out the plastic plug and bolt in your favorite accessory. No drilling, no measuring - it's that simple.

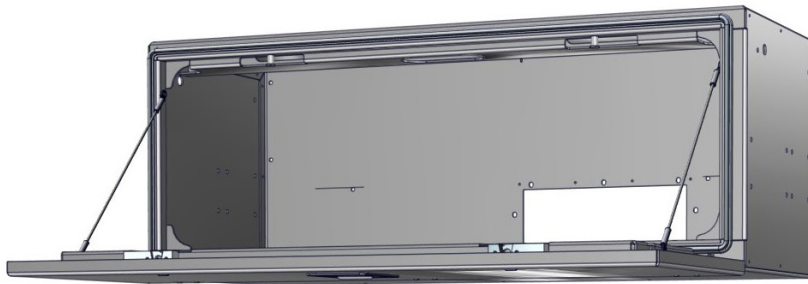


400lb. Load Rating

Pro Series™ Tool Box doors can be used as a step with a 400lb. load rating



ITD1536
36" Pro Series™ Tool Box



ITD1548
48" Pro Series™ Tool Box



ITD1660
60" Pro Series™ Tool Box

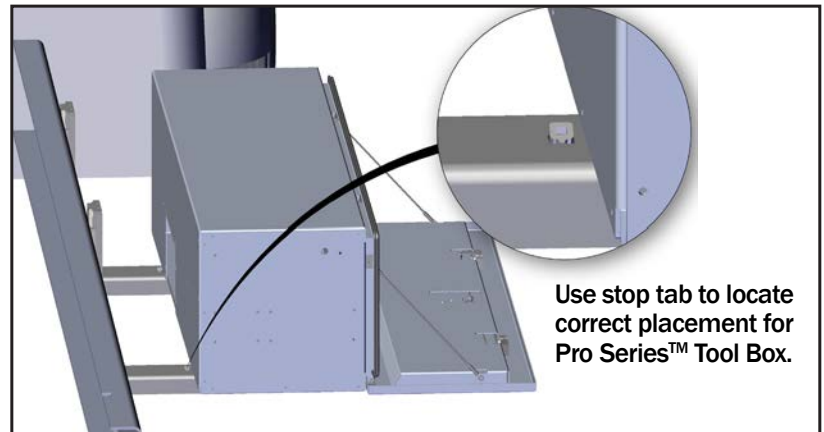
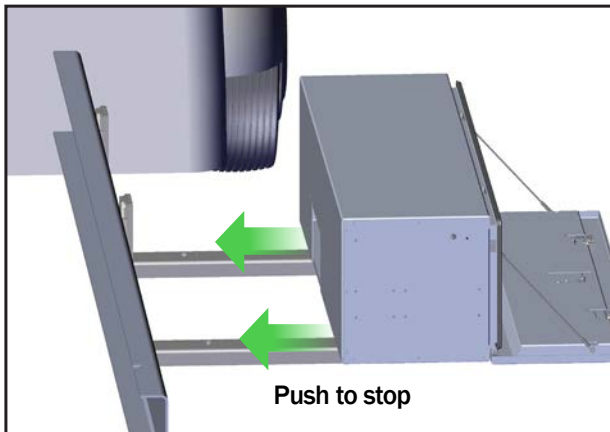


ITD1570
70" Pro Series™ Tool Box

1

Set Pro Series™ Tool Box

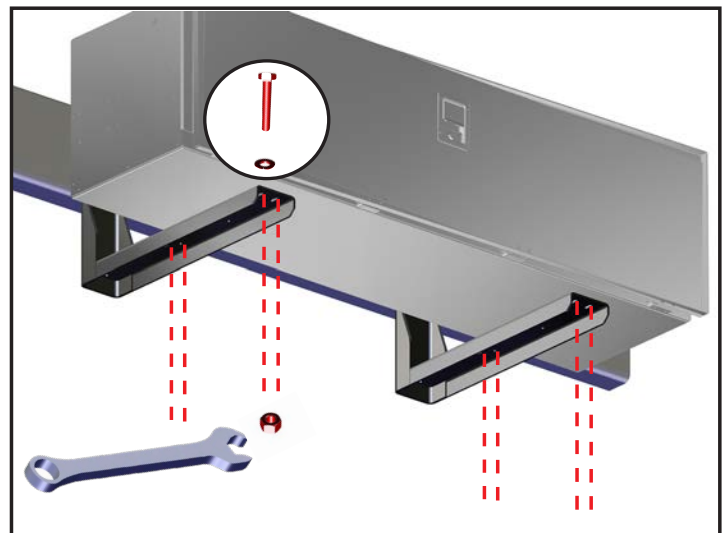
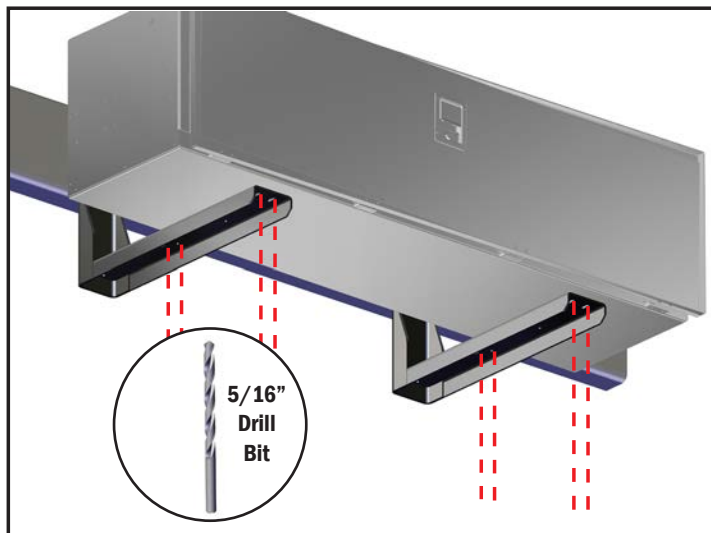
Set Pro Series™ Tool Box on Quick™ Mounts, make sure to check fore and aft measurements. The stop tab is used to quickly align tool box. If you want to set tool box in closer to the frame, simply bend stop tab down with a hammer.

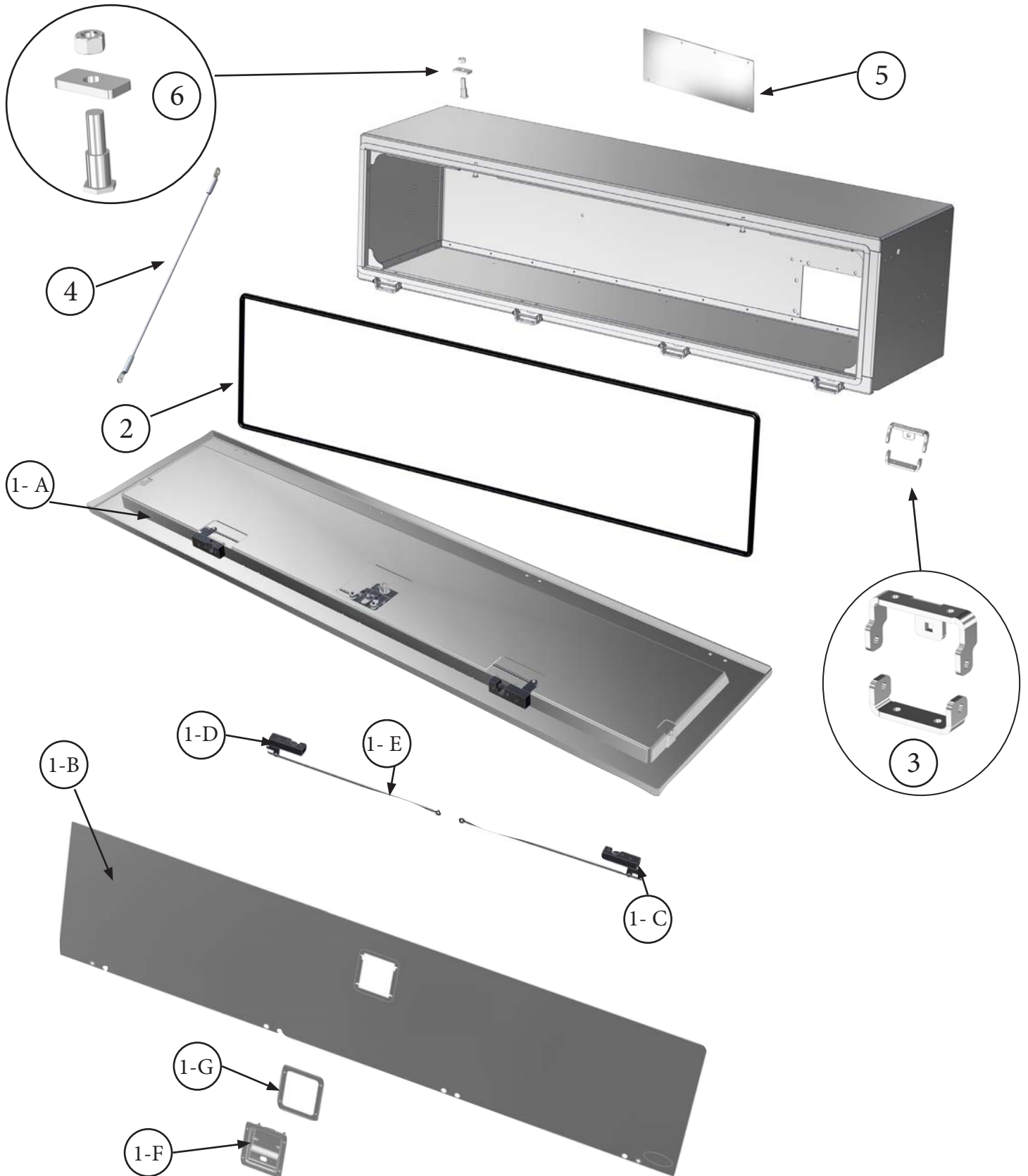


2

Drill & Bolt Pro Series™ Tool Box

Drill four 5/16" holes through the tool box per Quick™ Mount, two in the front and two in rear of box. When mounting Pro Series™ Tool Box on Quick™ Mounts, it is recommended to use a minimum of eight 5/16" flanged hex nuts and bolts.







Tool Box and Accessories Installation Guide

ITD Pro Series™ Tool Box Parts			
Item #	Part #	Description	QTY
36" Pro Series™ Tool Box			
1 - A	ITD6304	Complete 36" Door Assembly (Stainless Hinges Included, See Item #3)	1
1 - B	ITD6305	36" Replacement Stainless Steel Panel (Includes 3M Adhesive Tape)	1
1 - E	ITD7115	8" Connection Rod (For 36" Door)	1
48" Pro Series™ Tool Box			
1 - A	ITD6284	Complete 48" Door Assembly (Stainless Hinges Included, See Item #3)	1
1 - B	ITD6285	48" Replacement Stainless Steel Panel (Includes 3M Adhesive Tape)	1
1 - E	ITD7114	14.5" Connection Rod (For 48" Door)	1
60" Pro Series™ Tool Box			
1 - A	ITD1655	Complete 60" Door Assembly (Stainless Hinges Included, See Item #3)	1
1 - B	ITD1656	60" Replacement Stainless Steel Panel (Includes 3M Adhesive Tape)	1
1 - E	ITD7110	20" Connection Rod (For 60" & 70" Door)	1
70" Pro Series™ Tool Box			
1 - A	ITD6259	Complete 70" Door Assembly (Stainless Hinges Included, See Item #3)	1
1 - B	ITD6261	70" Replacement Stainless Steel Panel (Includes 3M Adhesive Tape)	1
1 - E	ITD7110	20" Connection Rod (For 60" & 70" Door)	2
All Pro Series™ Tool Box Models			
1 - C	ITD7317	Right Rotary Latch (Fits All Models) Serial # 500657 or newer	2
1 - D	ITD7318	Left Rotary Latch (Fits All Models) Serial # 500657 or newer	2
1 - F	ITD7316	Paddle Latch (Fits All Models) Serial # 500657 or newer	1
N/A	ITD7107	Right Rotary Latch Serial # 500656 or lower	2
N/A	ITD7108	Left Rotary Latch Serial # 500656 or lower	2
N/A	ITD7106	Paddle Latch Serial # 500656 or lower	1
1 - G	ITD7111	Gasket - For Paddle Latch (Fits All Models)	1
2	ITD7112	Door Gasket (Custom cut to fit each Pro Series™ Tool Box model)	1
3	ITD6408	Stainless Hinge Assembly (Includes Both Sides of Hinge)	3 or 4
4	ITD7116	18" Cable Lanyard	2
5	ITD6008	Cover Plate (For ITD1570 and ITD1548 ONLY)	1
6	ITD6409	Striker Assembly (Includes Striker, Stainless Back Plate, Nut)	2

ATTENTION

Please Note: Due to contributing factors beyond our control that could cause rust, staining, or discoloration of Polished Surfaces, In The Ditch Towing Products does not warranty polished stainless steel panels.

In an effort to keep your stainless looking its best, please visit www.intheditch.com to find the best practices for maintaining your polished stainless steel products. By following our maintenance recommendation, your polished stainless steel should look great for years to come.



STORAGE™ FENDERS

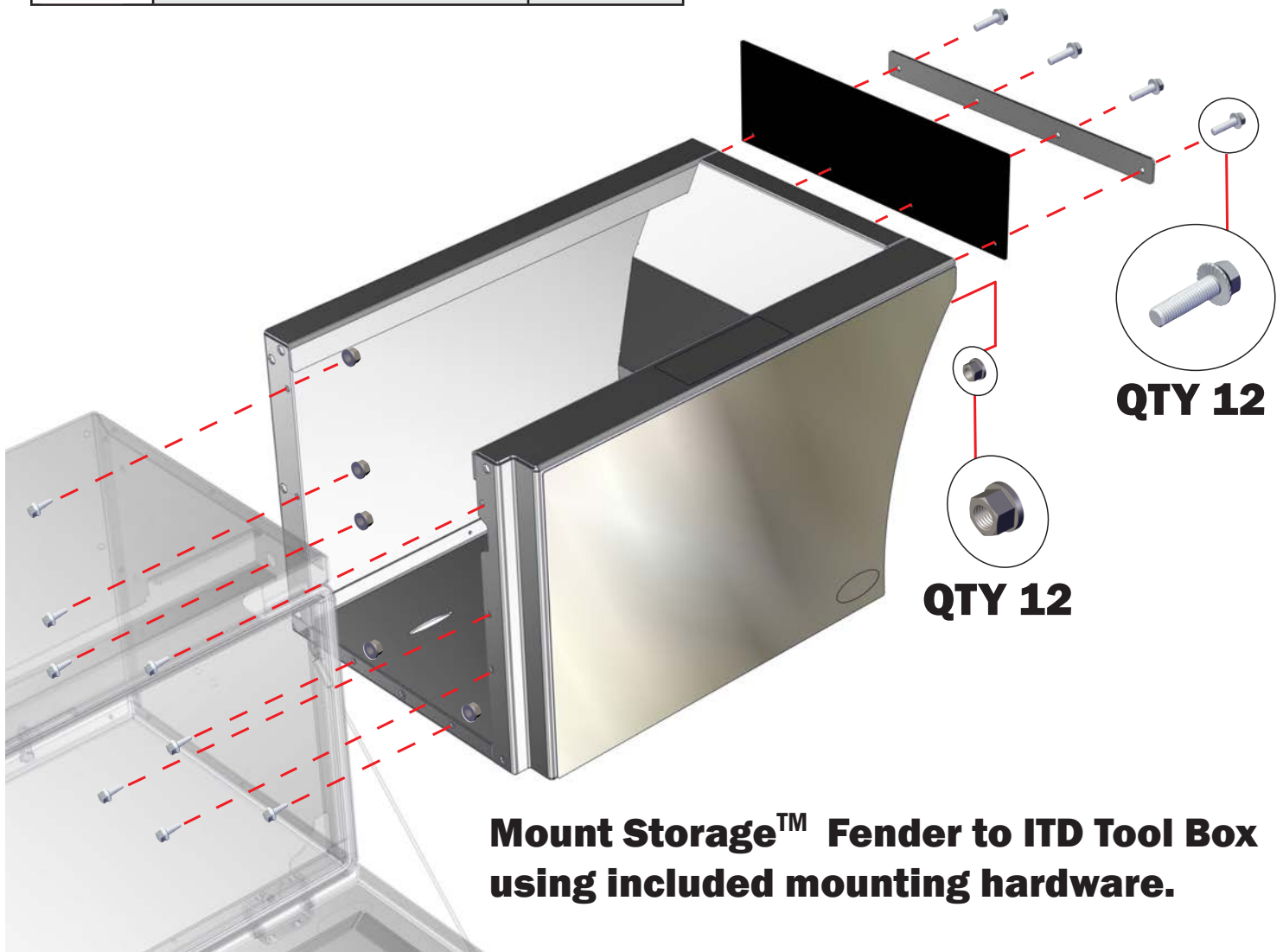


208-587-7960

www.intheditch.com

Storage™ Fender Installation

	DESCRIPTION	QUANTITY
	5/6" - 18 X 3/4" FLANGED BOLT	12
	5/16" - 18 FLANGED NUT	12



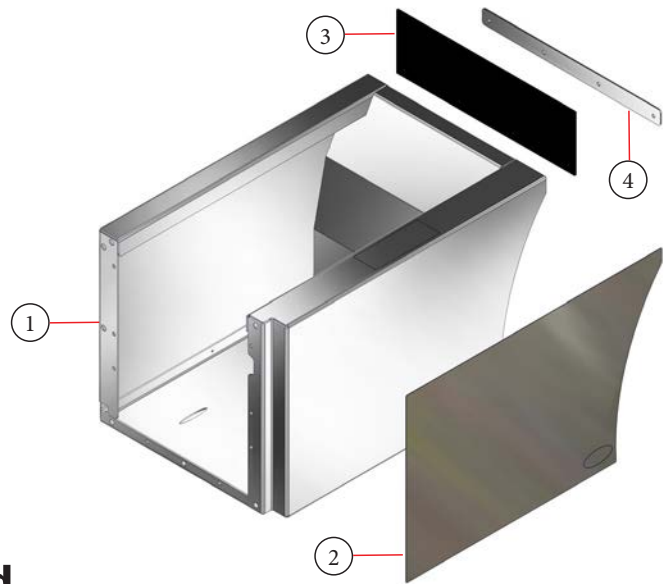
Mount Storage™ Fender to ITD Tool Box using included mounting hardware.

Part Breakdown

ITEM #	DESCRIPTION
1	STORAGE™ FENDER
2	STAINLESS STEEL PANEL
3	RUBBER GUARD
4	RUBBER GUARD BACKING PANEL

ATTENTION

Stainless Steel products may rust if not properly cared for in extreme conditions. We are not responsible for replacing rusted Stainless Steel if used in extreme environments (such as high in Salt or Chlorine exposure). Do not allow stagnant water to stand on the stainless steel. Always check a small area to see if finish changes before polishing or washing, and be sure not to use abrasive cleaners or brushes.



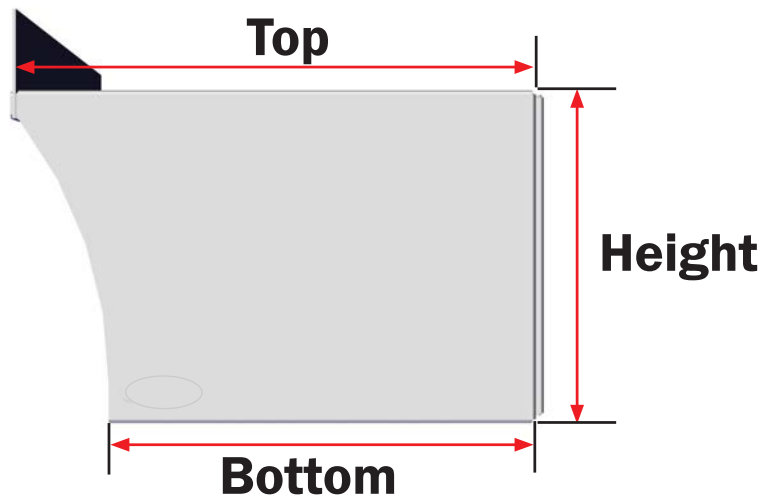
Number of Quick™ Mounts Needed

Each Storage™ Fender requires (1) Quick™ Mount for support.

A minimum of one Quick™ Mount is required on all Storage™ Fenders.

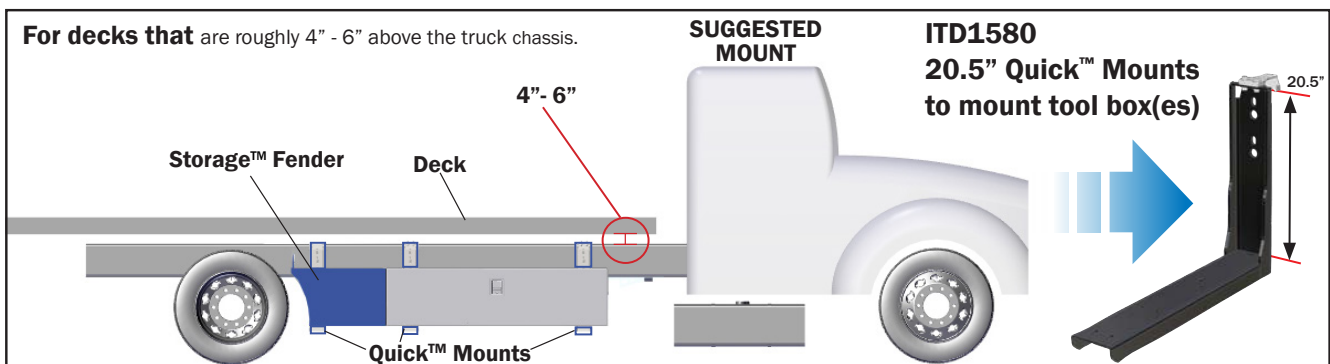
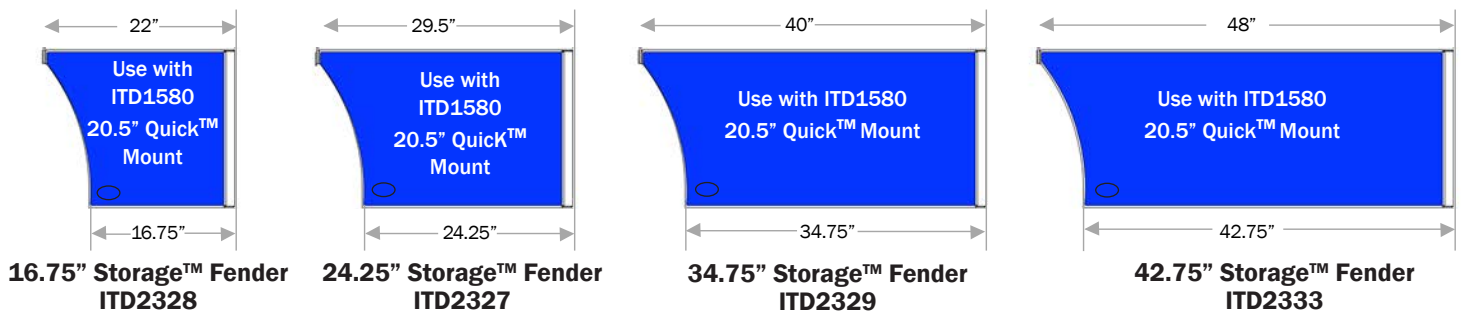
Mount to be located in the rear half of the Storage™ Fender.

Storage™ Fender Measurement Diagram

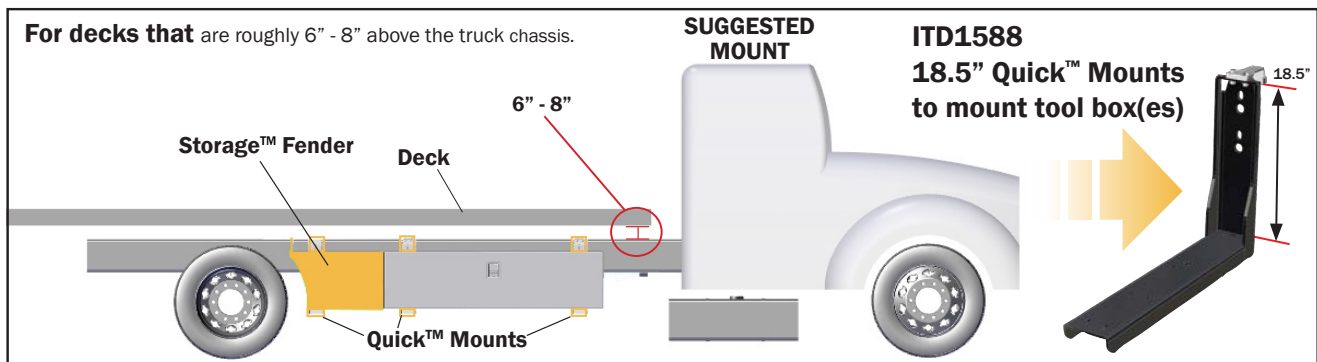
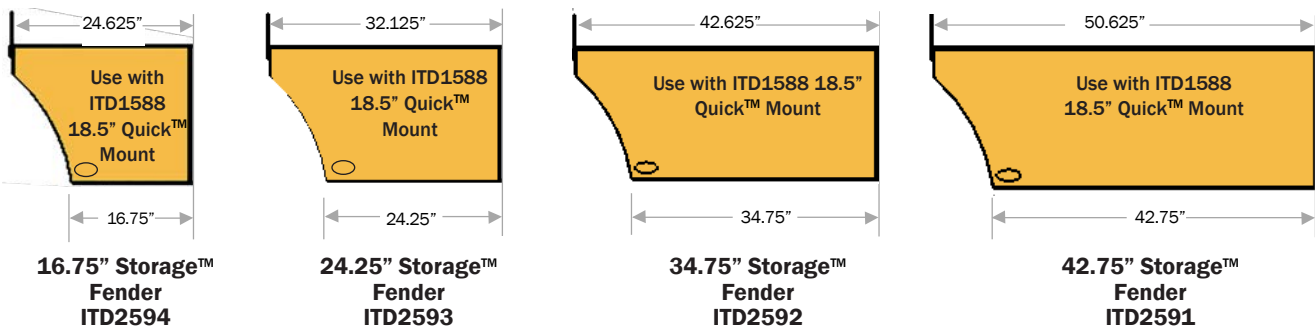


Storage™ Fenders to Choose From

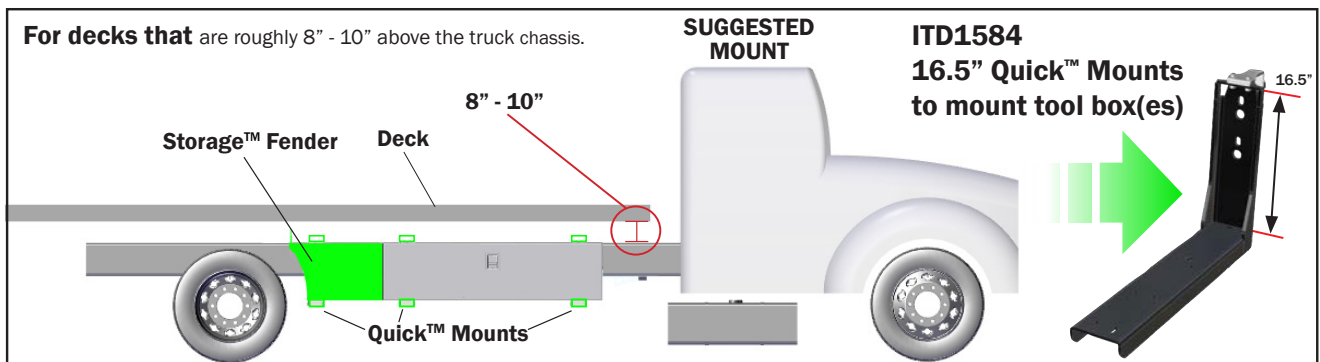
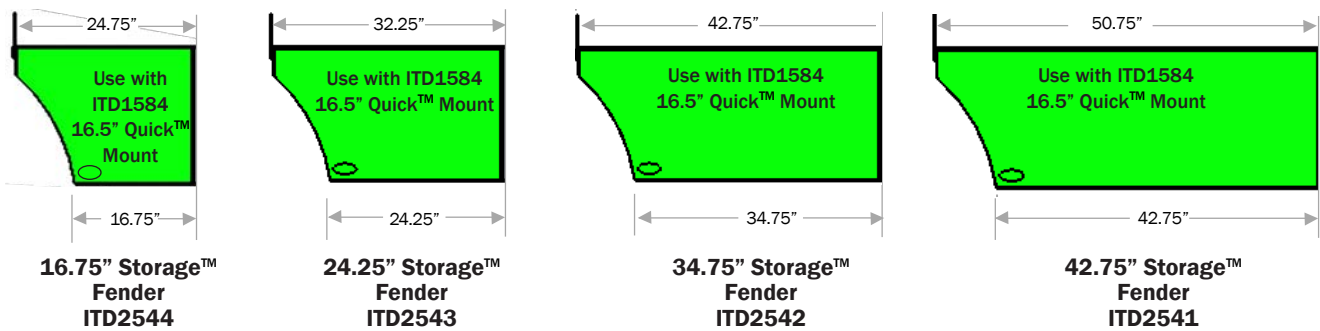
Storage™ Fenders for use with 20.5" Quick™ Mount (ITD1580)				
Part Number	Description	Bottom	Top	Height
ITD2333	Storage™ Fender Set 42.75" (includes 1R & 1L fender with SS Panels installed)	42.75"	48"	18.25"
ITD1333 (R-L)	Storage™ Fender 42.75" (with SS Panels installed, Specify Right or Left Fender)	42.75"	48"	18.25"
Replacement Parts for 42.75" Storage™ Fenders				
ITD1335 (R-L)	42.75" Stainless Steel Panel (Specify Right or Left Fender)	42.75"	48"	18.25"
ITD2329	Storage™ Fender Set 34.75" (includes 1R & 1L fender with SS Panels installed)	34.75"	40"	18.25"
ITD1329 (R-L)	Storage™ Fender 34.75" (with SS Panels installed, Specify Right or Left Fender)	34.75"	40"	18.25"
Replacement Parts for 34.75" Storage™ Fenders				
ITD1334 (R-L)	34.75" Stainless Steel Panel (Specify Right or Left Fender)	34.75"	40"	18.25"
ITD2327	Storage™ Fender Set 24.25" (includes 1R & 1L fender with SS Panels installed)	24.25"	29.5"	18.25"
ITD1327 (R-L)	Storage™ Fender 24.25" (with SS Panels installed, Specify Right or Left Fender)	24.25"	29.5"	18.25"
Replacement Parts for 24.25" Storage™ Fenders				
ITD1308 (R-L)	24.25" Stainless Steel Panel (Specify Right or Left Fender)	24.25"	29.5"	18.25"
ITD2328	Storage™ Fender Set 16.75" (includes 1R & 1L fender with SS Panels installed)	16.75"	22"	18.25"
ITD1328 (R-L)	Storage™ Fender 16.75" (with SS Panels installed, Specify Right or Left Fender)	16.75"	22"	18.25"
Replacement Parts for 16.75" Storage™ Fenders				
ITD1332 (R-L)	16.75" Stainless Steel Panel (Specify Right or Left Fender)	16.75"	22"	18.25"
General Replacement Parts				
ITD7117	Rubber Guard for all storage™ fenders			
ITD6331	Rubber Guard backing plate for all storage™ fenders			



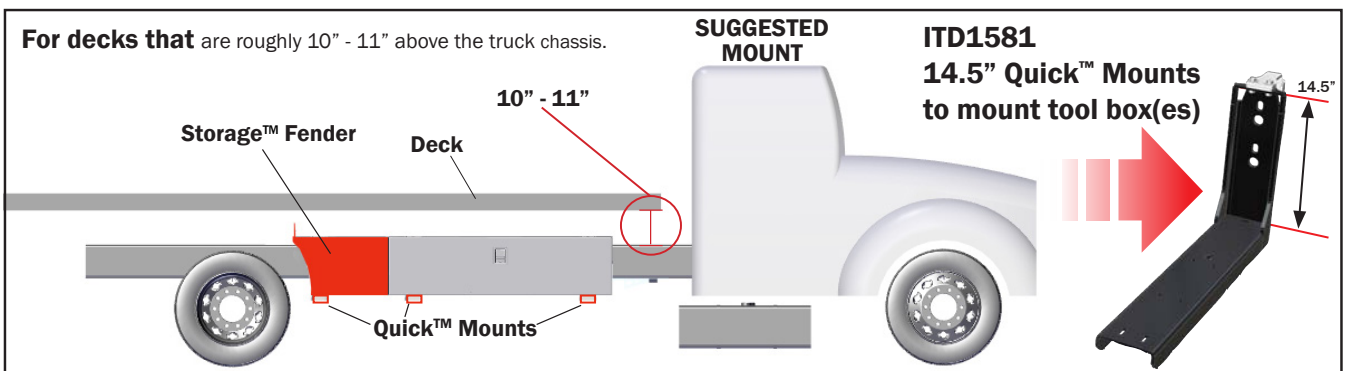
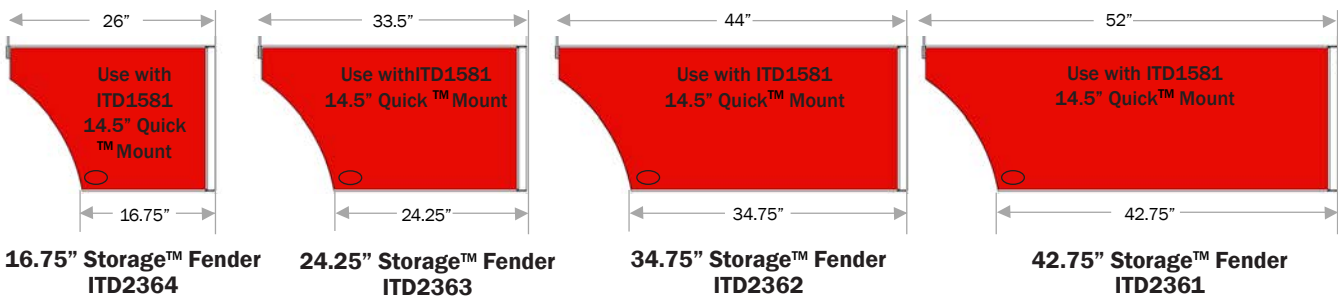
Storage™ Fenders for use with 18.5" Quick™ Mount (ITD1588)				
Part Number	Description	Bottom	Top	Height
ITD2591	Storage™ Fender Set 42.75" (includes 1R & 1L fender with SS Panels installed)	42.75"	50.625"	18.25"
ITD1591 (R-L)	Storage™ Fender 42.75" (with SS Panels installed, Specify Right or Left Fender)	42.75"	50.625"	18.25"
Replacement Parts for 42.75" Storage™ Fenders				
ITD4622 (R-L)	42.75" Stainless Steel Panel (Specify Right or Left Fender)	42.75"	50.625"	18.25"
ITD2592	Storage™ Fender Set 34.75" (includes 1R & 1L fender with SS Panels installed)	34.75"	42.625"	18.25"
ITD1592 (R-L)	Storage™ Fender 34.75" (with SS Panels installed, Specify Right or Left Fender)	34.75"	42.625"	18.25"
Replacement Parts for 34.75" Storage™ Fenders				
ITD4623 (R-L)	34.75" Stainless Steel Panel (Specify Right or Left Fender)	34.75"	42.625"	18.25"
ITD2593	Storage™ Fender Set 24.25" (includes 1R & 1L fender with SS Panels installed)	24.25"	32.125"	18.25"
ITD1593 (R-L)	Storage™ Fender 24.25" (with SS Panels installed, Specify Right or Left Fender)	24.25"	32.125"	18.25"
Replacement Parts for 24.25" Storage™ Fenders				
ITD4624 (R-L)	24.25" Stainless Steel Panel (Specify Right or Left Fender)	24.25"	32.125"	18.25"
ITD2594	Storage™ Fender Set 16.75" (includes 1R & 1L fender with SS Panels installed)	16.75"	24.625"	18.25"
ITD1594 (R-L)	Storage™ Fender 16.75" (with SS Panels installed, Specify Right or Left Fender)	16.75"	24.625"	18.25"
Replacement Parts for 16.75" Storage™ Fenders				
ITD4625 (R-L)	16.75" Stainless Steel Panel (Specify Right or Left Fender)	16.75"	24.625"	18.25"
General Replacement Parts				
ITD7117	Rubber Guard for all storage™ fenders			
ITD6331	Rubber Guard backing plate for all storage™ fenders			



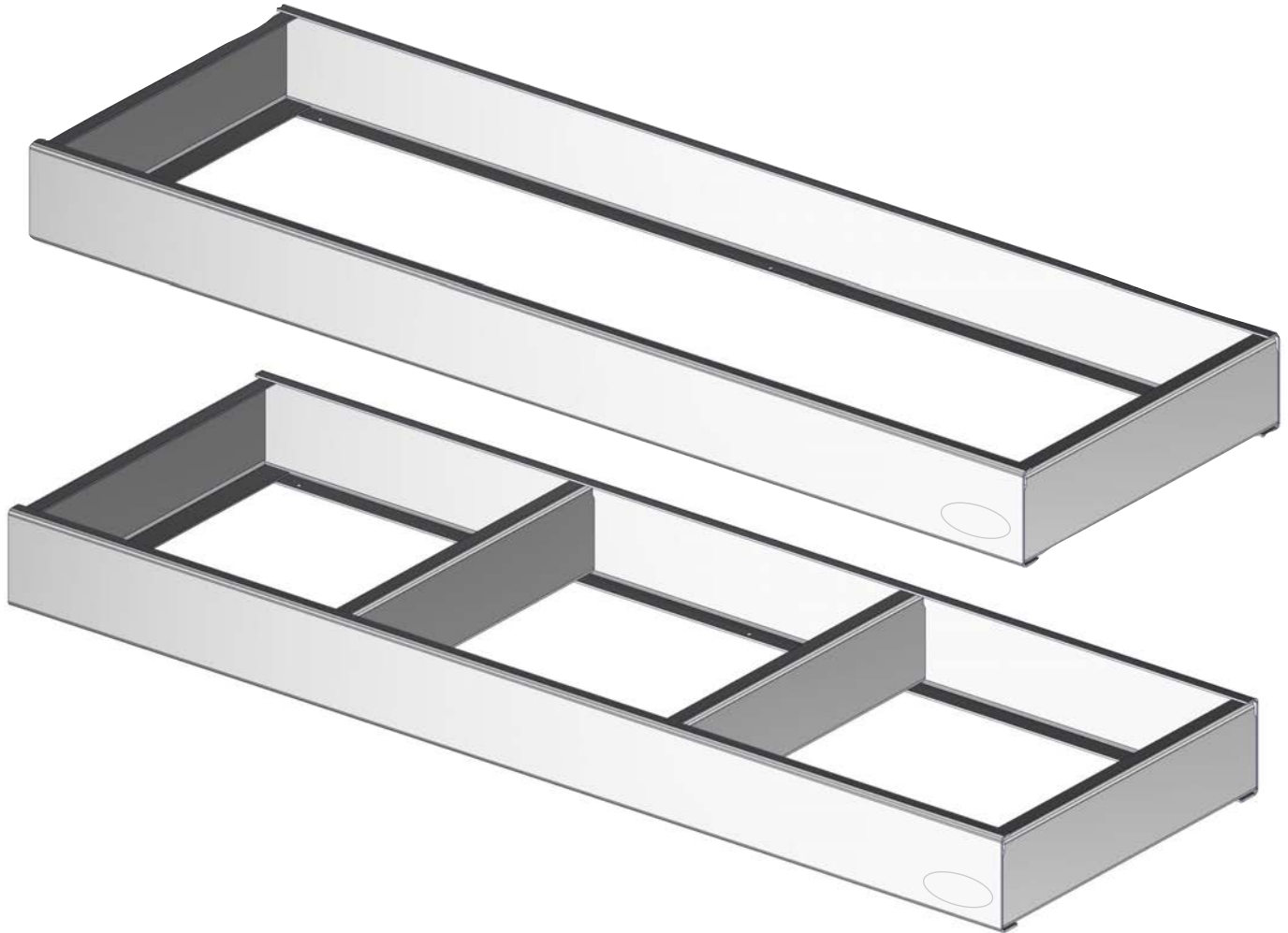
Storage™ Fenders for use with 16.5" Quick™ Mount (ITD1584)				
Part Number	Description	Bottom	Top	Height
ITD2541	Storage™ Fender Set 42.75" (includes 1R & 1L fender with SS Panels installed)	42.75"	50.75"	18.25"
ITD1541 (R-L)	Storage™ Fender 42.75" (with SS Panels installed, Specify Right or Left Fender)	42.75"	50.75"	18.25"
Replacement Parts for 42.75" Storage™ Fenders				
ITD4600 (R-L)	42.75" Stainless Steel Panel (Specify Right or Left Fender)	42.75"	50.75"	18.25"
ITD2542	Storage™ Fender Set 34.75" (includes 1R & 1L fender with SS Panels installed)	34.75"	42.75"	18.25"
ITD1542 (R-L)	Storage™ Fender 34.75" (with SS Panels installed, Specify Right or Left Fender)	34.75"	42.75"	18.25"
Replacement Parts for 34.75" Storage™ Fenders				
ITD4601 (R-L)	34.75" Stainless Steel Panel (Specify Right or Left Fender)	34.75"	42.75"	18.25"
ITD2543	Storage™ Fender Set 24.25" (includes 1R & 1L fender with SS Panels installed)	24.25"	32.25"	18.25"
ITD1543 (R-L)	Storage™ Fender 24.25" (with SS Panels installed, Specify Right or Left Fender)	24.25"	32.25"	18.25"
Replacement Parts for 24.25" Storage™ Fenders				
ITD4602 (R-L)	24.25" Stainless Steel Panel (Specify Right or Left Fender)	24.25"	32.25"	18.25"
ITD2544	Storage™ Fender Set 16.75" (includes 1R & 1L fender with SS Panels installed)	16.75"	24.75"	18.25"
ITD1544 (R-L)	Storage™ Fender 16.75" (with SS Panels installed, Specify Right or Left Fender)	16.75"	24.75"	18.25"
Replacement Parts for 16.75" Storage™ Fenders				
ITD4603 (R-L)	16.75" Stainless Steel Panel (Specify Right or Left Fender)	16.75"	24.75"	18.25"
General Replacement Parts				
ITD7117	Rubber Guard for all storage™ fenders			
ITD6331	Rubber Guard backing plate for all storage™ fenders			



Storage™ Fenders for use with 14.5" Quick™ Mount (ITD1581)				
Part Number	Description	Bottom	Top	Height
ITD2361	Storage™ Fender Set 42.75" (includes 1R & 1L fender with SS Panels installed)	42.75"	52"	18.25"
ITD1361 (R-L)	Storage™ Fender 42.75" (with SS Panels installed, Specify Right or Left Fender)	42.75"	52"	18.25"
Replacement Parts for 42.75" Storage™ Fenders				
ITD1369 (R-L)	42.75" Stainless Steel Panel (Specify Right or Left Fender)	42.75"	52"	18.25"
ITD2362	Storage™ Fender Set 34.75" (includes 1R & 1L fender with SS Panels installed)	34.75"	44"	18.25"
ITD1362 (R-L)	Storage™ Fender 34.75" (with SS Panels installed, Specify Right or Left Fender)	34.75"	44"	18.25"
Replacement Parts for 34.75" Storage™ Fenders				
ITD1368 (R-L)	34.75" Stainless Steel Panel (Specify Right or Left Fender)	34.75"	44"	18.25"
ITD2363	Storage™ Fender Set 24.25" (includes 1R & 1L fender with SS Panels installed)	24.25"	33.5"	18.25"
ITD1363 (R-L)	Storage™ Fender 24.25" (with SS Panels installed, Specify Right or Left Fender)	24.25"	33.5"	18.25"
Replacement Parts for 24.25" Storage™ Fenders				
ITD1367 (R-L)	24.25" Stainless Steel Panel (Specify Right or Left Fender)	24.25"	33.5"	18.25"
ITD2364	Storage™ Fender Set 16.75" (includes 1R & 1L fender with SS Panels installed)	16.75"	26"	18.25"
ITD1364 (R-L)	Storage™ Fender 16.75" (with SS Panels installed, Specify Right or Left Fender)	16.75"	26"	18.25"
Replacement Parts for 16.75" Storage™ Fenders				
ITD1366 (R-L)	16.75" Stainless Steel Panel (Specify Right or Left Fender)	16.75"	26"	18.25"
General Replacement Parts				
ITD7117	Rubber Guard for all storage™ fenders			
ITD6331	Rubber Guard backing plate for all storage™ fenders			



Tool Box Accessories




208-587-7960

www.intheditch.com

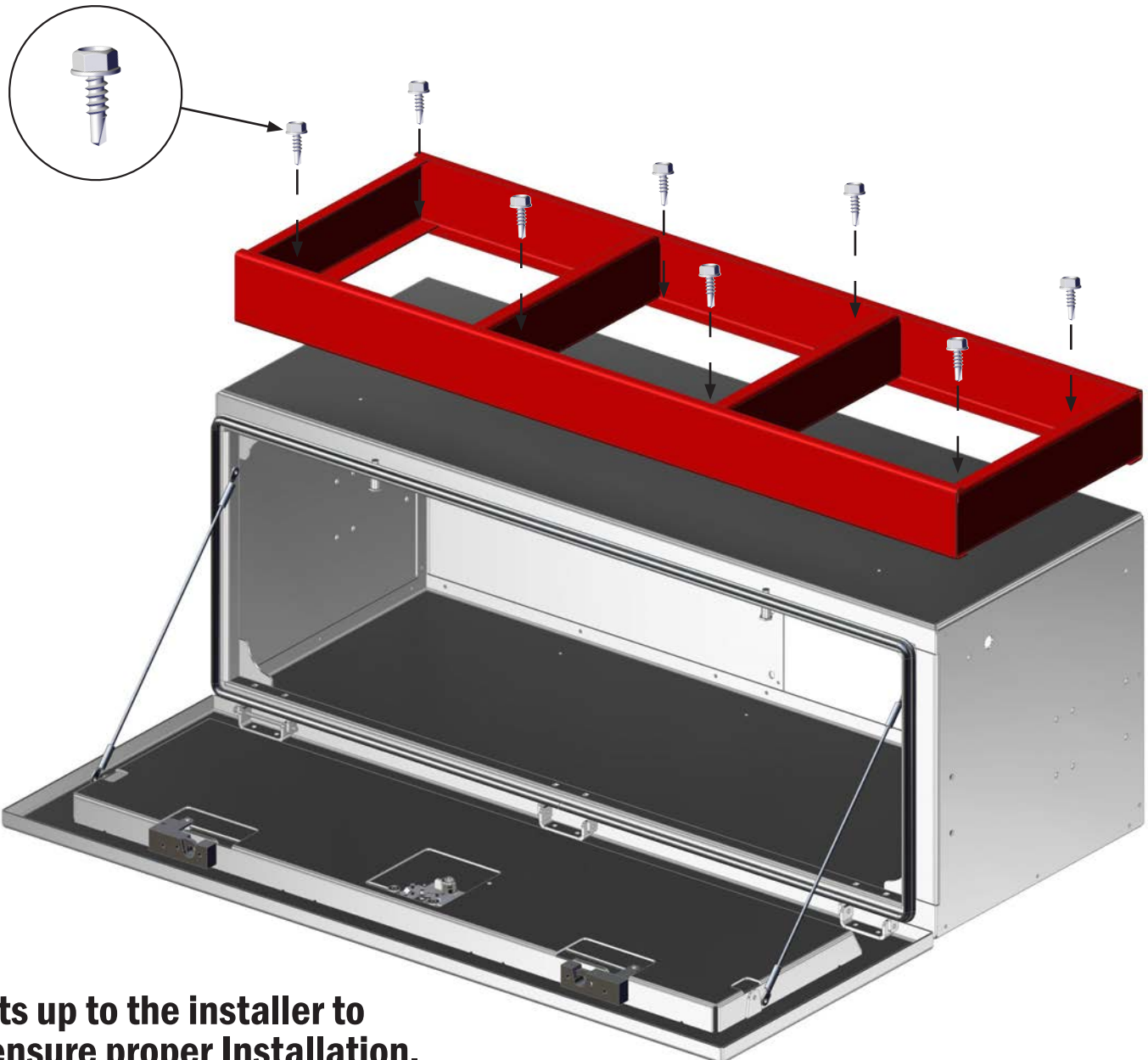
Installation Guide for ITD Box Top Trays Installed on any Tool Box

48" Box Top shown

	DESCRIPTION	QUANTITY
	#10 Self Drilling Screw	Varies
Alternative Fasteners Include: 3/16" Rivets #10 - 24 Machine Screws and Nuts		

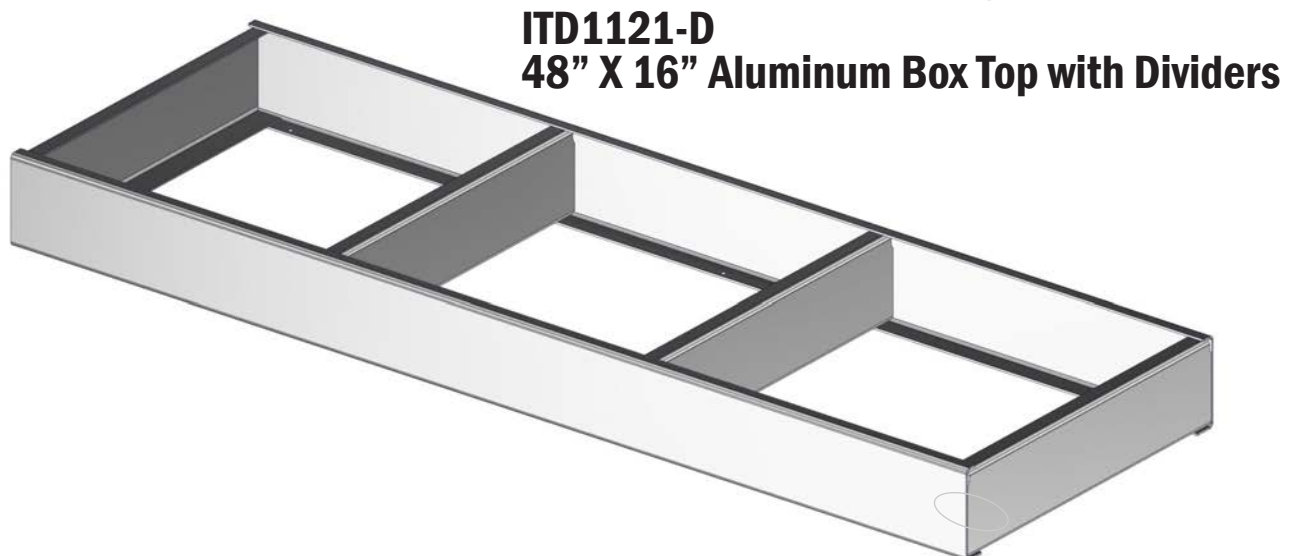


Mounting hardware **NOT** included





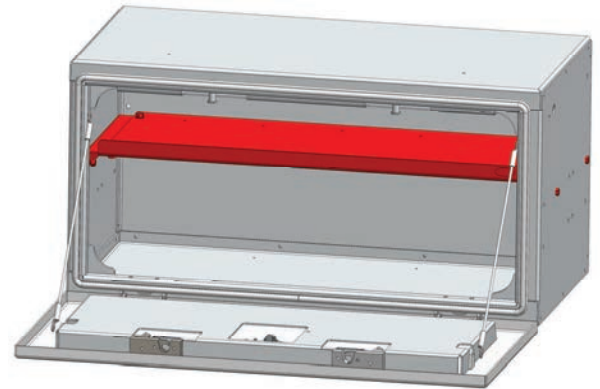
Its up to the installer to ensure proper Installation.

ITD Box Top Trays		
Part #	Description	QTY OF DIVIDERS
ITD1066	36" X 16" Aluminum Box Top Tray	-
ITD1066-D	36" X 16" Aluminum Box Top Tray with Dividers	1
ITD1121	48" X 16" Aluminum Box Top Tray	-
ITD1121-D	48" X 16" Aluminum Box Top Tray with Dividers	2
ITD1098	60" X 16" Aluminum Box Top Tray	-
ITD1098-D	60" X 16" Aluminum Box Top Tray with Dividers	2
ITD1122	65" X 16" Aluminum Box Top Tray	-
ITD1122-D	65" X 16" Aluminum Box Top Tray with Dividers	2
ITD1067	70" X 16" Aluminum Box Top Tray	-
ITD1067-D	70" X 16" Aluminum Box Top Tray with Dividers	2

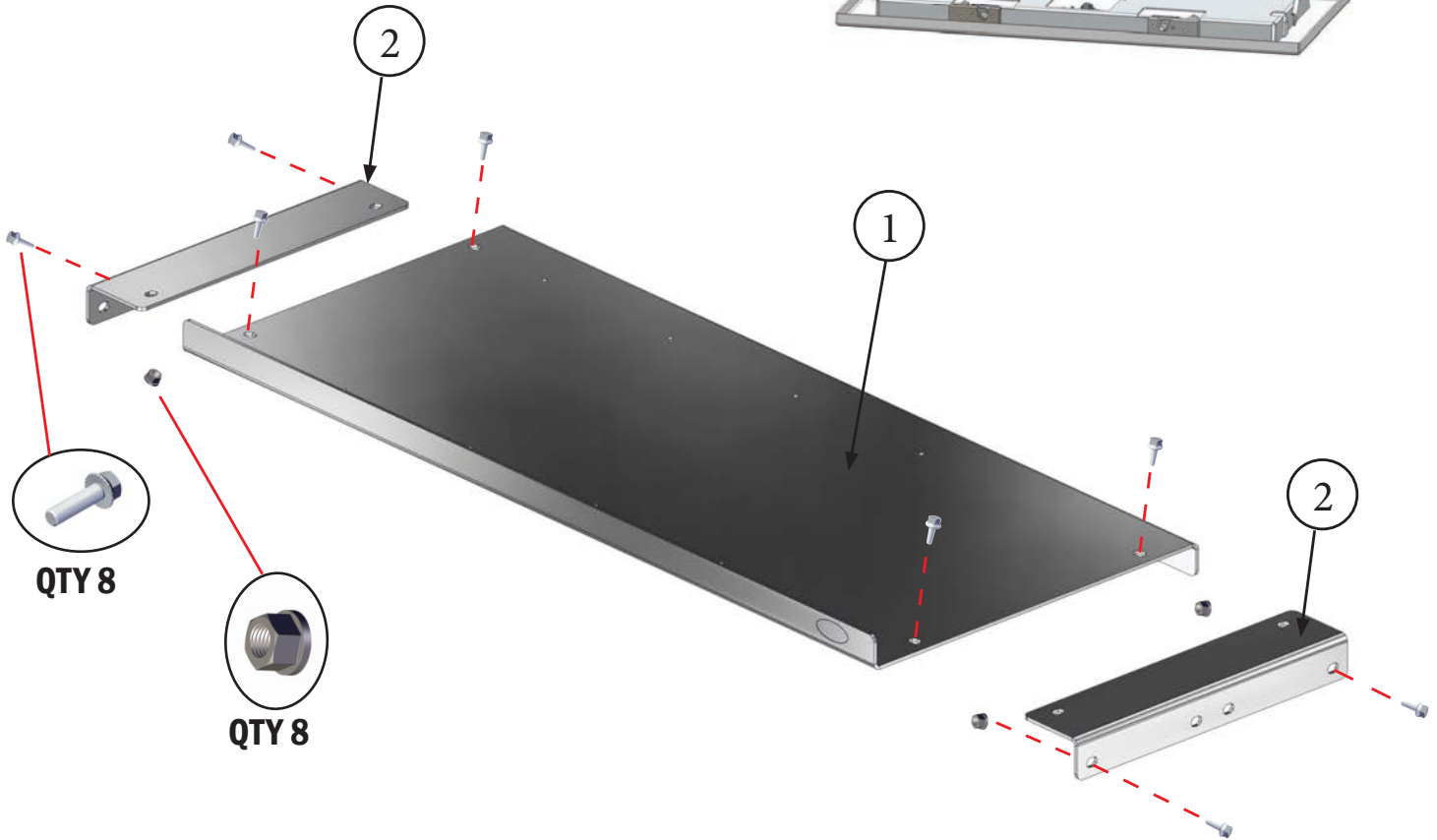


36" (ITD1288) Full Length Shelf Kit			
Item #	Part #	Description	QTY
1	ITD6302	Shelf	1
2	ITD6301	Support Brackets	2

	DESCRIPTION	QUANTITY
	5/16" - 18 X 3/4" Flanged Bolt	8
	5/16" - 18 Flanged Nut	8



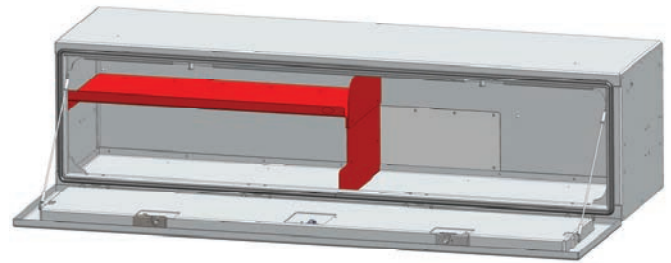
Mounting hardware included



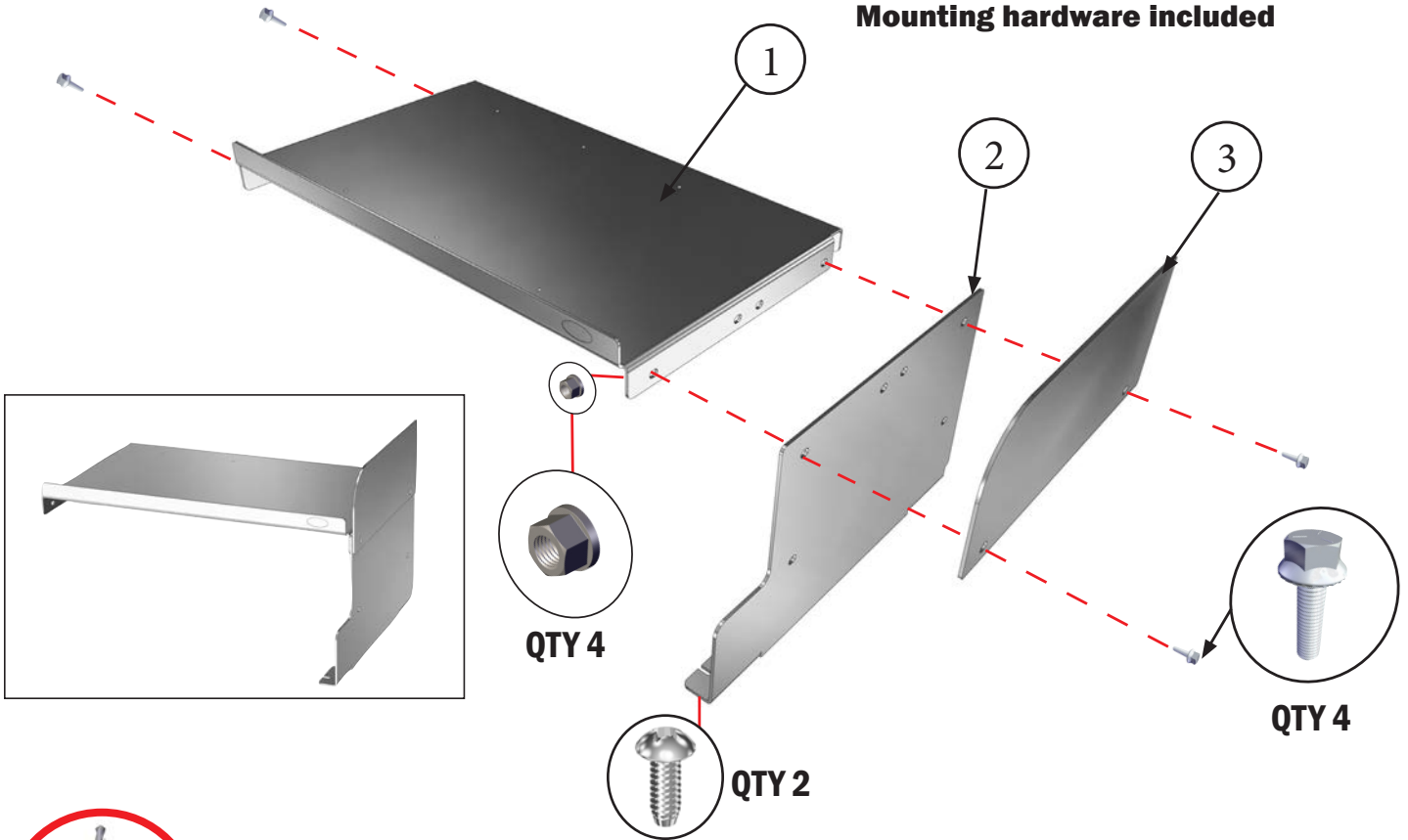
No Drilling Required, Fits ITD Pro Series™ Tool Box Pre Drilled Holes.

48" (ITD1342) , 60" (ITD1661) or 70" (ITD1341) Half Length Shelf Kit			
Item #	Part #	Description	QTY
1	ITD6282	48" Replacement Shelf	1
1	ITD1659	60" Replacement Shelf	1
1	ITD6257	70" Replacement Shelf	1
2	ITD6281	Center Support	1
3	ITD1326	Center Divider	1

	DESCRIPTION	QUANTITY
	5/16" - 18 X 3/4" Flanged Bolt	4
	5/16" - 18 Flanged Nut	4
	#10-24 Self Threaded Screw	2






Mounting hardware included

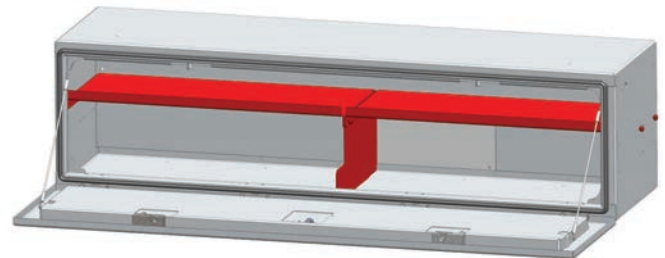


No Drilling Required, Fits ITD Pro Series™ Tool Box Pre Drilled Holes.

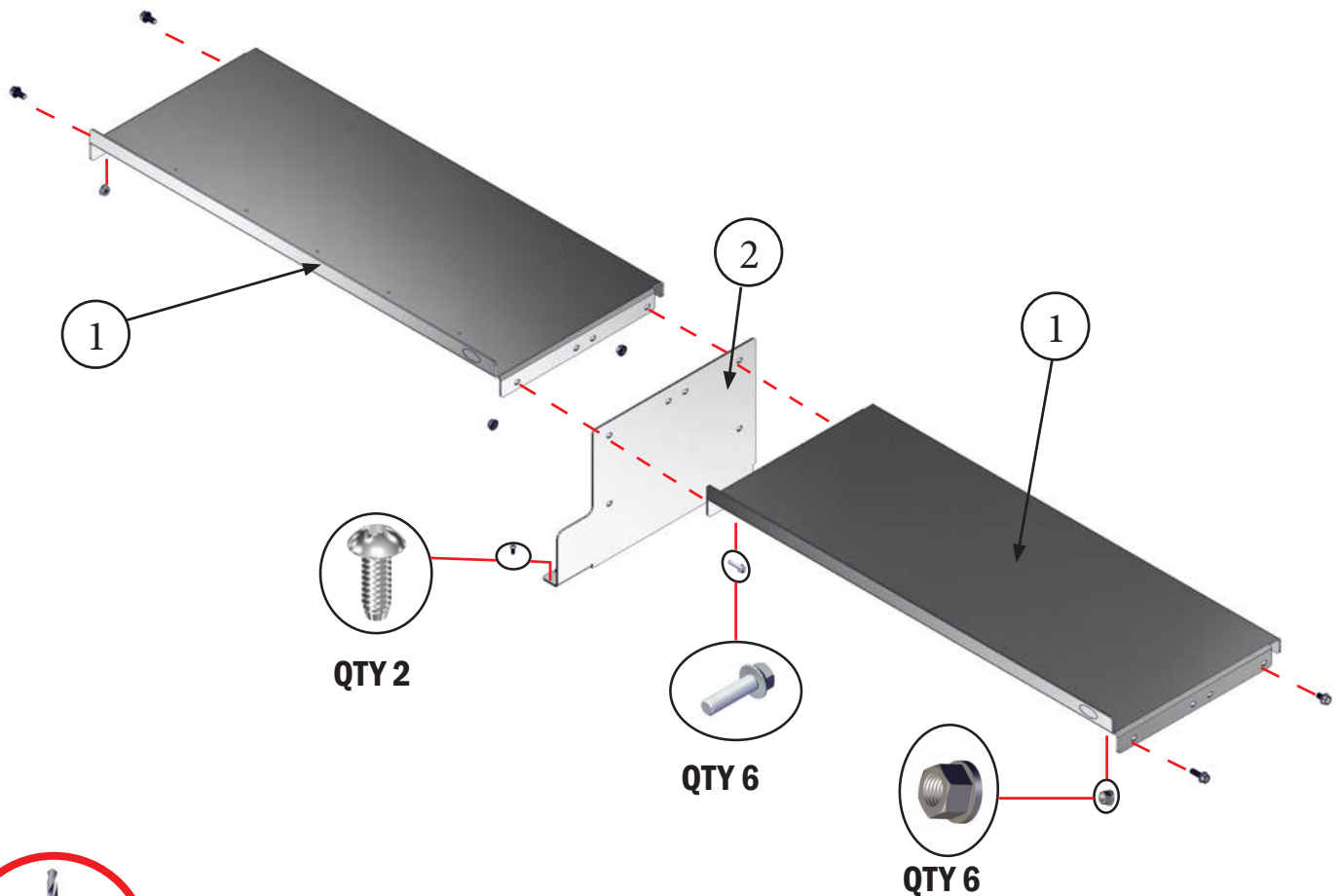
48" (ITD1287) , 60" (ITD1658) or 70" (ITD1286) Full Length Shelf Kit

Item #	Part #	Description	QTY
1	ITD6282	48" Replacement Shelf	2
1	ITD1659	60" Replacement Shelf	2
1	ITD6257	70" Replacement Shelf	2
2	ITD6281	Center Support	1

	DESCRIPTION	QUANTITY
	5/16" - 18 X 3/4" Flanged Bolt	6
	5/16" - 18 Flanged Nut	6
	#10-24 Self Threaded Screw	2



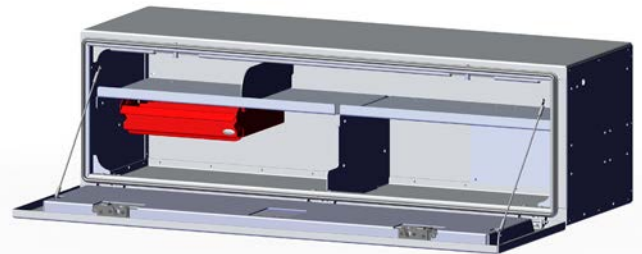
Mounting hardware included



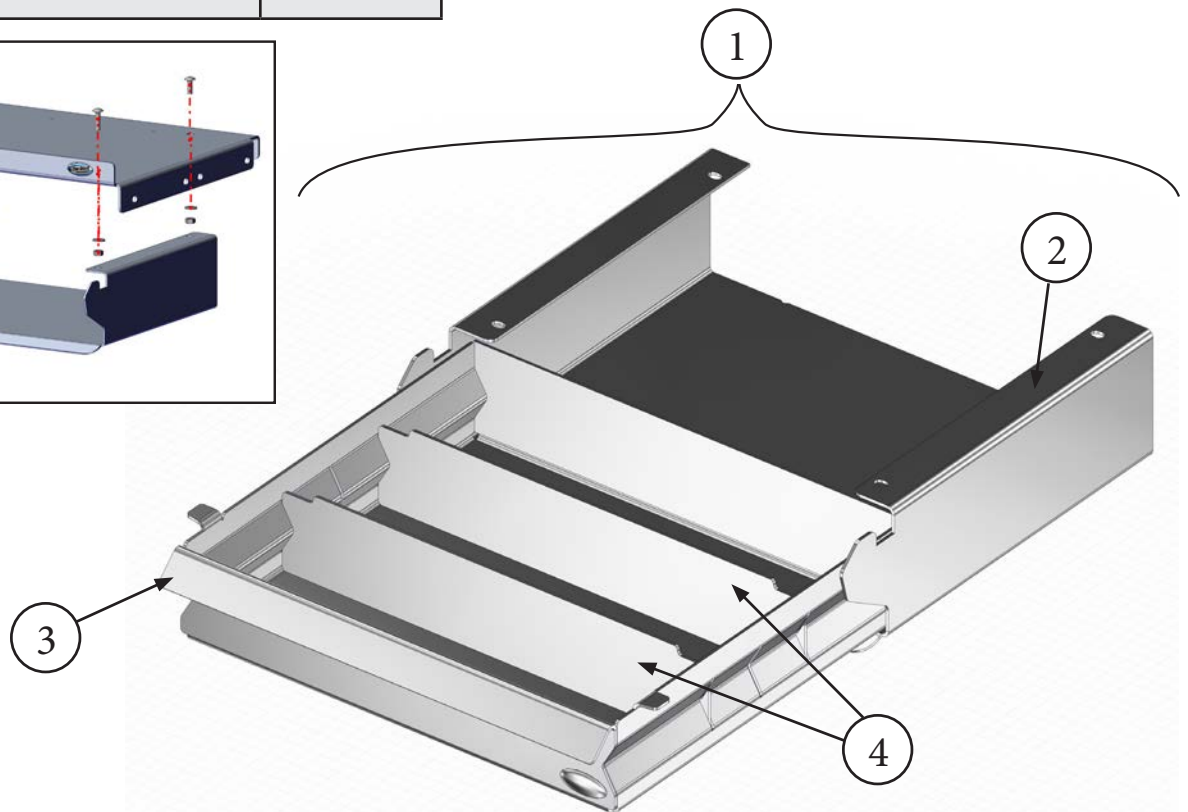
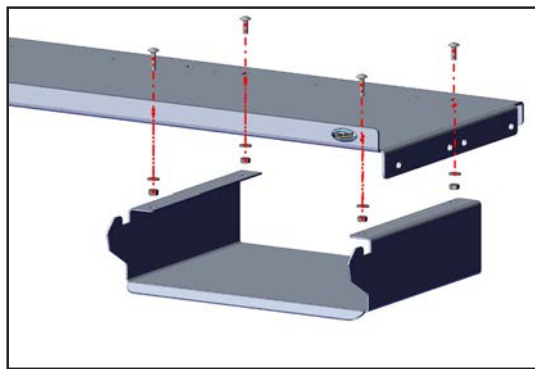
No Drilling Required, Fits ITD Pro Series™ Tool Box Pre Drilled Holes.

Pro Series™ Slide Out Drawer			
Item #	Part #	Description	QTY
1	ITD1613	Pro Series™ Slide Out Drawer (Complete Assembly)	1
2	ITD1614	Slide Out Drawer Bracket	1
3	ITD1615	Slide Out Tray	1
4	ITD1616	Drawer Dividers	2

	DESCRIPTION	QUANTITY
	1/4" - 20 X 1" Carriage Bolt (Front of Shelf)	2
	1/4" - 20 X 3/4" Carriage Bolt (Back of Shelf)	2
	1/4" Nylock Nuts	4
	1/4" Flat Washers	4



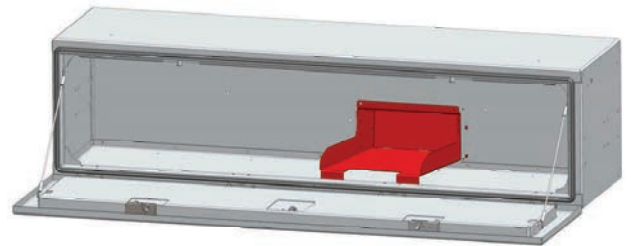
Mounting hardware included



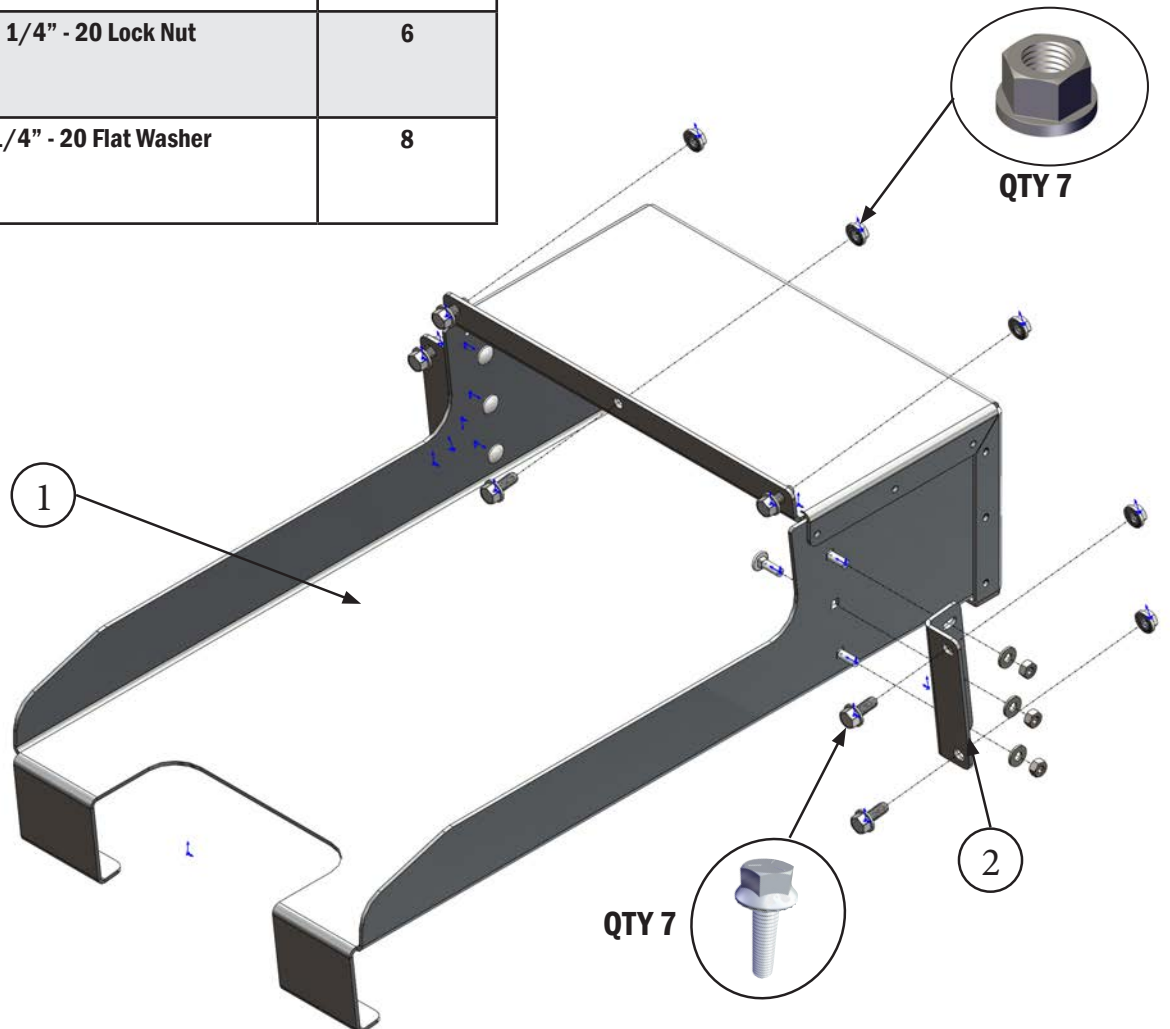
No Drilling Required, Fits Pre Drilled Holes.

Jack Bracket			
Item #	Part #	Description	QTY
1	ITD1284	Main Body	1
2	ITD6295	Angle Support Brackets	2

	DESCRIPTION	QUANTITY
	5/16" - 18 X 3/4" Flanged Bolt	7
	5/16" - 18 Flanged Nut	7
	1/4" - 20 X 3/4" SS Carriage Bolt	6
	1/4" - 20 Lock Nut	6
	1/4" - 20 Flat Washer	8





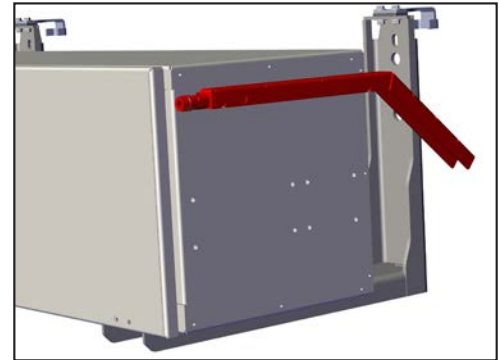
Mounting hardware included



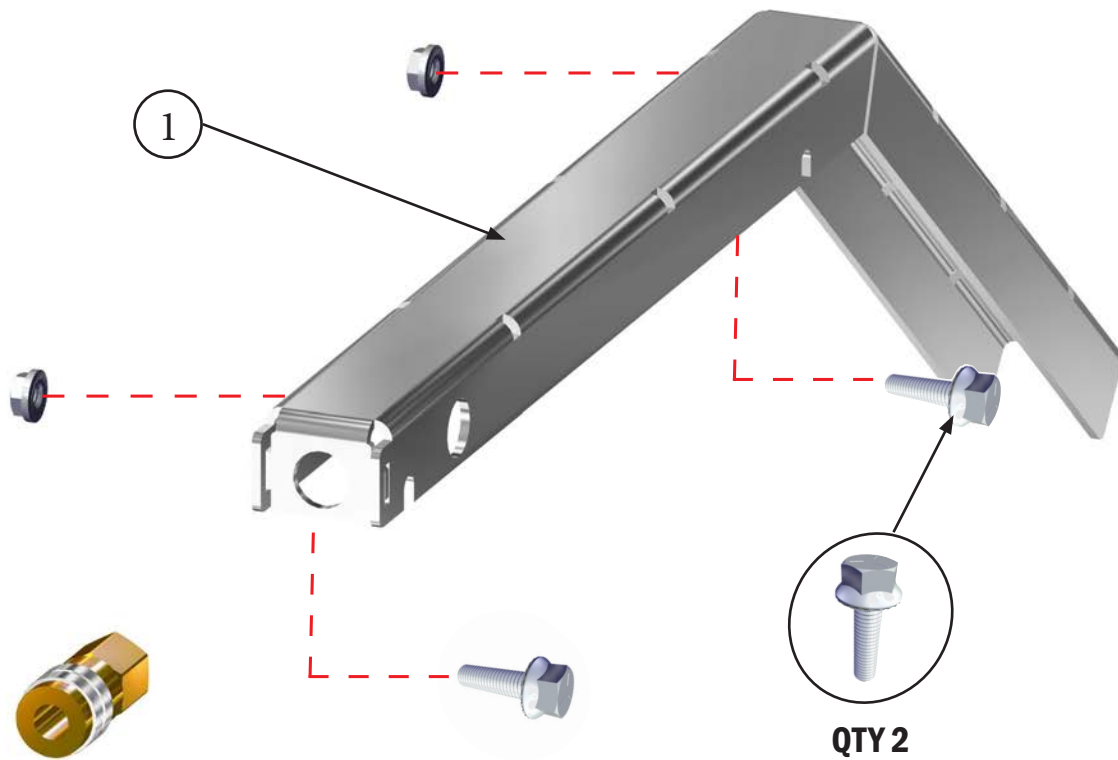
No Drilling Required, Fits ITD Pro Series™ Tool Box Pre Drilled Holes.

Air Fitting and Wiring Bracket			
Item #	Part #	Description	QTY
1	ITD6274	Air Fitting Wiring Bracket	1

	DESCRIPTION	QUANTITY
	5/16" - 18 X 3/4" Flanged Bolt	2
	5/16" - 18 Flanged Nut	2



Mounting hardware NOT included





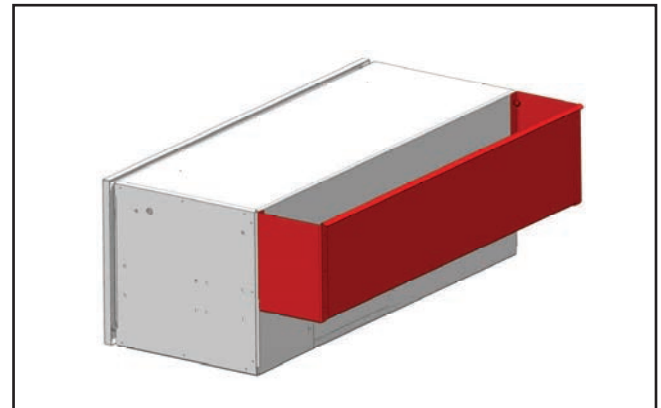
**Air Fitting
Not included**



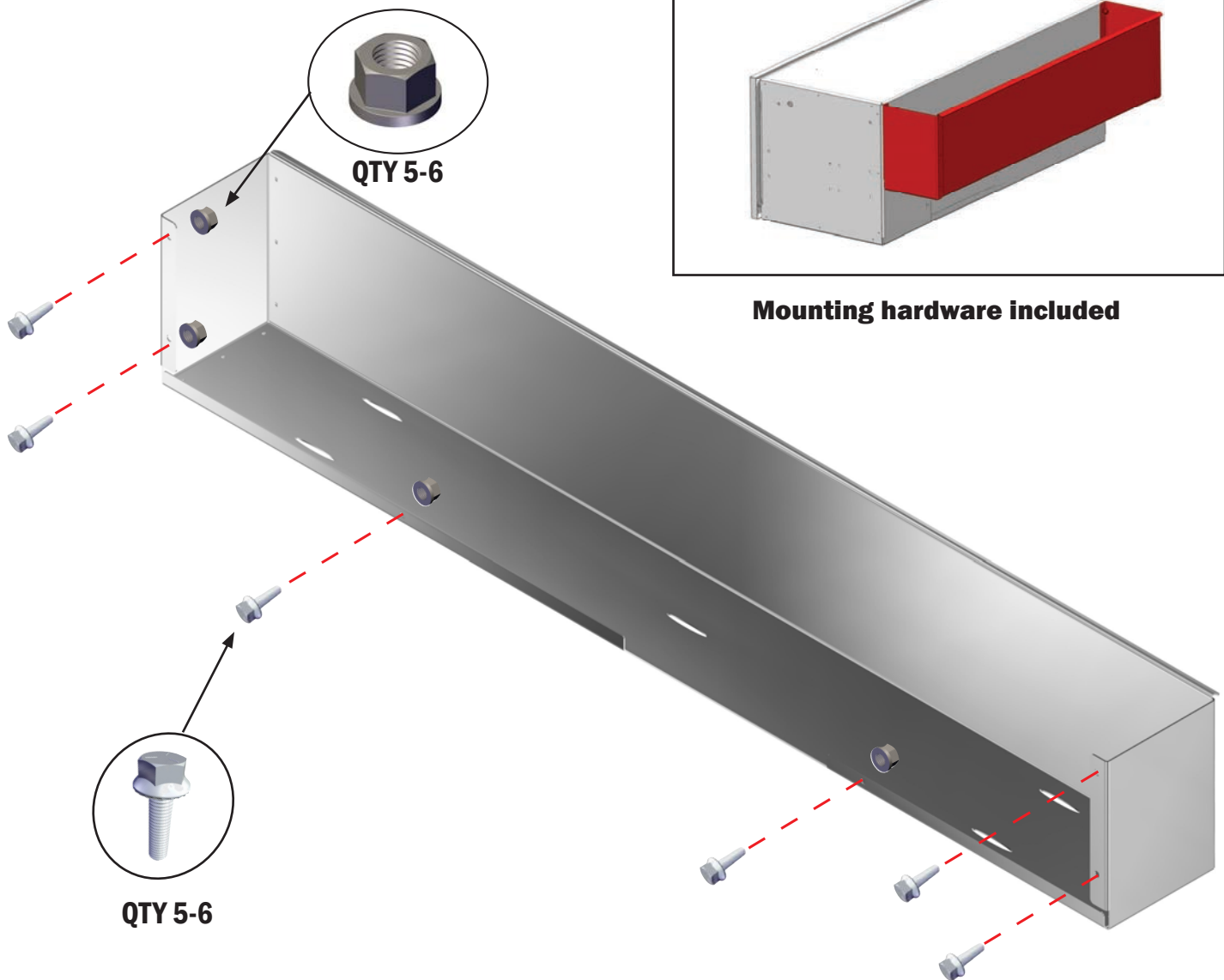
No Drilling Required, Fits ITD Pro Series™ Tool Box Pre Drilled Holes.

Lumber Baskets	
Part #	Description
ITD1280	70" Lumber Basket
ITD1281	60" Lumber Basket
ITD1282	48" Lumber Basket
ITD1283	36" Lumber Basket

	DESCRIPTION	QUANTITY
	5/16" - 18 X 3/4" Flanged Bolt	5-6
	5/16" - 18 Flanged Nut	5-6






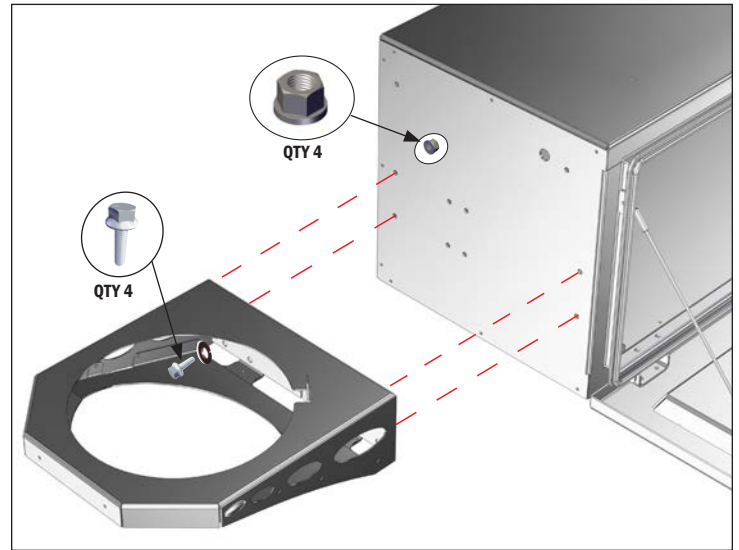
Mounting hardware included



No Drilling Required, Fits ITD Pro Series™ Tool Box Pre Drilled Holes.

Trash Can Mount Installation

	DESCRIPTION	QUANTITY
	5/6" - 18 X 3/4" FLANGED BOLT	4
	5/16" - 18 FLANGED NUT	4
	5/16" Flat Washers	4



Mounting hardware **NOT** included



No Drilling Required, Fits ITD Pro Series™ Tool Box Pre Drilled Holes.

ITD Trash Can Mounts	
Part #	Description
ITD1374	6 Gallon XD™ Trash Can Mount
ITD1378	4 Gallon XD™ Trash Can Mount
ITD1270	Dual Trash Can Mount
ITD1056	6 Gallon Trash Can Mount
ITD1052	4 Gallon Trash Can Mount

**6 GALLON XD™ TRASH CAN MOUNT
ITD1374**



**6 GALLON TRASH CAN MOUNT
ITD1056**



**4 GALLON TRASH CAN MOUNT
ITD1052**



**4 GALLON XD™ TRASH CAN MOUNT
ITD1378**



DUAL TRASH CAN MOUNT | ITD1270





www.intheditch.com • sales@intheditch.com

1-888-993-4824 • 208 -587-7960

3195 Industrial Way • Mountain Home, ID 83647 • USA

ITD0250R14