



▶ MicroPulse® C Series I External Mount/Perimeter Lights

FEATURES

- Superior warning with (6) high-powered LEDs
- Single color and split color models available
- Includes Black surface mount bezel and stud mount; optional White and Chrome bezels are available
- Low-profile for discreet mounting
- Single/multi-unit synchronization
- 27 selectable flash patterns including steady and random
- Three-year warranty

APPROVALS

- All models are IP67 rated, moisture and dust proof
- SAE J845, Class 1
- SAE J595, Class 1

High Performing Warning Light

MicroPulse® C Series lights are ideal for police cars, commander and work truck vehicles. The slim-line shape easily mounts on grille, rub rails, or other vertical surfaces. MicroPulse C Series models come in a variety of LED colors including Amber, Blue, Red and White, as well as split color combinations. Single color models have (6) LEDs and split-color models have (3) LEDs of each color.

MicroPulse C Series models have (27) built-in selectable flash patterns. The advanced high-output LED light head can be programmed to operate as a single unit or in synchronization with multiple MicroPulse light heads.

Built to Last

The MicroPulse® C Series lens is made of UV resistant polycarbonate to protect against harsh conditions. Certified to meet IP67, the MicroPulse C Series has a fully encapsulated water-proof housing that provides a barrier against dust and water.

Models come standard with a Black bezel and stud mount. Optional White or Chrome bezels are also available.



Versatile Solution for Warning Light Application

Suitable for external mounting applications, each model includes a black surface mount bezel and a stud mount. Shown below is the MicroPulse® C Series installed in the pre-drilled grille of a 2016–2019 Police Interceptor Ford Utility.



2016 – 2019 Police Interceptor Ford Utility grille shown without the light



MicroPulse C Series shown with optional stud mount for easy installation



MicroPulse C Series shown mounted in grille

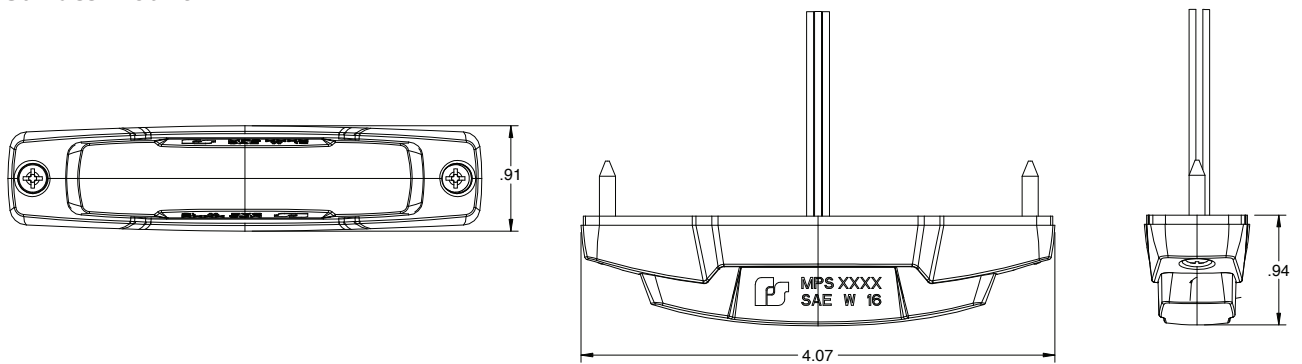
Single Color LED Models

Model #	LED Color	J845 Class	J845 Coverage	J595 Class	CA T13 Class
MPSC-R	Red	2	50°	1	B
MPSC-B	Blue	2	50°	1	B
MPSC-A	Amber	2	60°	1	B
MPSC-W	White	2	50°	1	NA

Split Color LED Models

Model #	LED Color	J845 Class	J845 Coverage	J595 Class	CA T13 Class
MPSC-AW	Amber	2	50°	1	B
	White	2	40°	1	NA
MPSC-BW	Blue	2	40°	1	B
	White	2	40°	1	NA
MPSC-RB	Red	2	40°	1	B
	Blue	2	40°	1	B
MPSC-RW	Red	2	40°	1	B
	White	2	40°	1	NA

Surface Mount



HOW TO ORDER

MicroPulse C Series, Single LED Color, Clear Lens Surface Mount and Stud Mount, 12 VDC

MPSC-A	6-LED light head, Amber
MPSC-B	6-LED light head, Blue
MPSC-R	6-LED light head, Red
MPSC-W	6-LED light head, White

MicroPulse C Series, Split LED Color, Clear Lens Surface Mount and Stud Mount, 12 VDC

MPSC-AW	6-LED light head, (3) Amber/(3) White
MPSC-BW	6-LED light head, (3) Blue/(3) White
MPSC-RB	6-LED light head, (3) Red/(3) Blue
MPSC-RW	6-LED light head, (3) Red/(3) White

Accessories

MPSMC-1	Chrome bezel for (1) MicroPulse C Series light head
MPSMC-2	White bezel for (1) MicroPulse C Series light head
MPSMC-SPACRKT	Kit of four 5-degree rubbing mounting wedges for use with MPSC lights

SPECIFICATIONS

Specifications

	Surface Mount	Stud Mount
Voltage	12 VDC	12 VDC
Amp Draw	0.7 A at 12 VDC	0.7 A at 12 VDC
Operating Temperature	-40°C to +80°C	-40°C to +80°C

Physical Specifications

Height	0.91 in (2.3 cm)	0.7 in (1.8 cm)
Length	4.07 in (10.3 cm)	3.3 in (8.4 cm)
Width	0.94 in (2.4 cm)	0.94 in (2.4 cm)

Ship Weight

0.8 lbs (0.4 kg)	0.8 lbs (0.4 kg)
------------------	------------------

FLASH PATTERNS

Pattern	Name
1	Triple 92.3 (All)
2	Triple 90 (All)
3	Single 122 (All)
4	Single 75 (All)
5	Single 90 (All)
6	Single 113 (All)
7	Single 73 (All)
8	Double 73 (All)
9	Triple 73 (All)
10	Quad 73 (All)
11	Quint 73 (All)
12	Mega (All)
13	Ultra (All)
14	Single-Quad (All)
15	Single H/L (All)
16	Steady All (All)
17	Steady Half (California)
18	Random
19	Single (Split)
20	Double (Split)
21	Triple (Split)
22	Quad (Split)
23	Quint (Split)
24	Mega (Split)
25	Ultra (Split)
26	Single-Quad (Split)
27	Single H/L (Split)



Each model includes light head, black bezel, surface and stud mount brackets, gaskets, and mounting hardware. Stud mount can be used to install the MicroPulse C Series in the pre-drilled grille of a 2016-2019 Police Interceptor Ford Utility for quick and easy installation.



MicroPulse is a registered trademark of Federal Signal Corporation.

©2019 Federal Signal Corporation. M4068 I 219