

12V

7.8Ah

NLP30



INSANE PERFORMANCE. LITHIUM POWERSPORT BATTERY.™

2X

MORE POWER.

10X

MORE STARTS.

5X

LONGER LIFE.

DYNAMIC BMS.

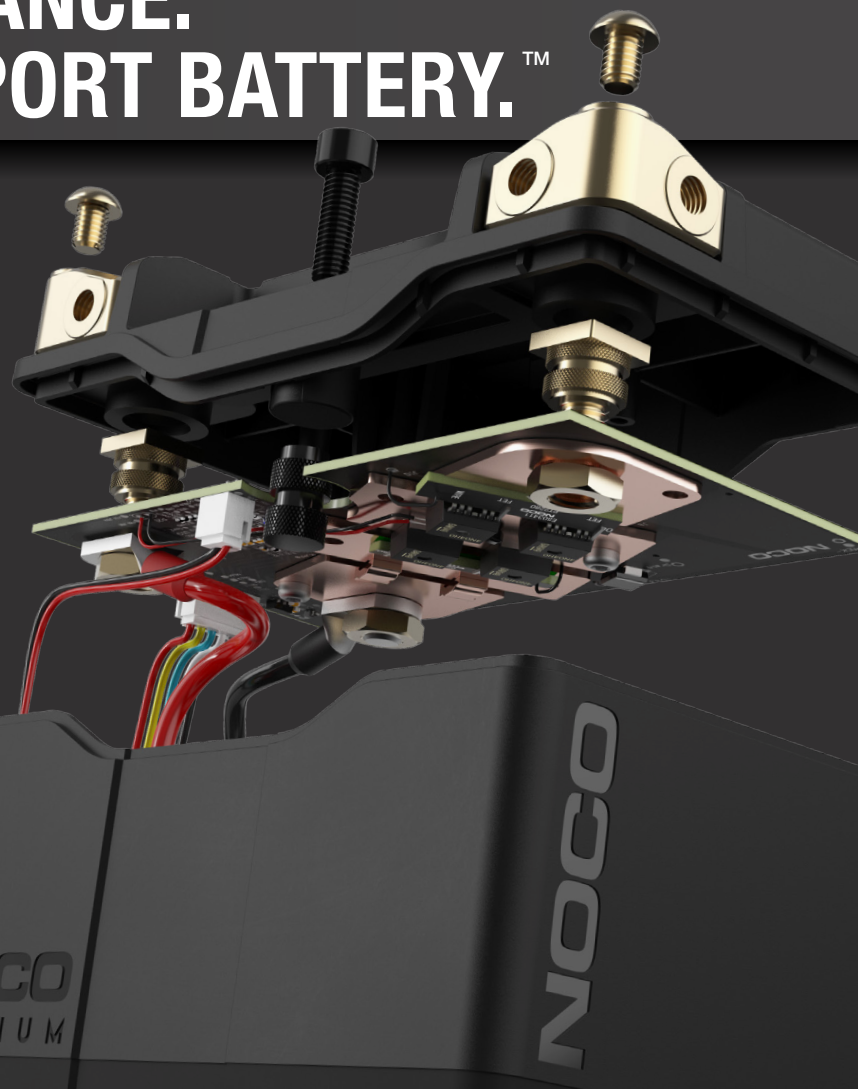
Equipped with an auto-enabled, advanced battery management system that provides maximum protection, performance, and bi-directional cell equalization for long-lasting stability. No BMS reset needed.

ACTIVE PROTECTION.

Protects against over-charge, extreme-heat, short-circuit, over-discharge, extreme-cold, and over-current.

SHOCK ABSORPTION.

Designed with a custom rubber dampening base and foam inserts to extend the life of the battery and keep connections secure.



NOCO

30339 Diamond Parkway, #102
Glenwillow, OH 44139 | USA
1.800.456.6626

no.co

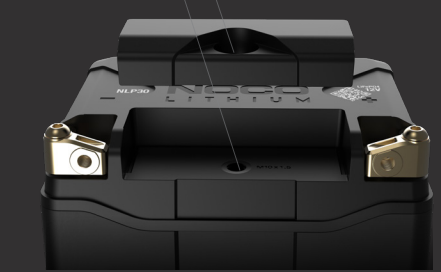
NOCO
LITHIUM

NOCO

UNIVERSAL MOUNTING.

Modular spacers can be added to alter the size and allow the battery to be safely and securely mounted. A removable mounting block allows the battery to fit more applications. The threaded insert enables direct-mounting for additional simplicity and security.

Removable Mounting Block
Threaded Insert
M10-1.5 Thread Size.



FEMALE.



SIDE.



TOP.



FRONT.



MULTI-CONNECTION TERMINALS.

Equipped with premium IP66 waterproof copper PCB plates. NLP Terminals can be mounted from the front, side, or top, and can be removed altogether depending on the application.



RAPID RECHARGE.

Use the Lithium mode on a Genius charger to fully recharge an NLP battery in minutes. See Genius models and charging times below.

COMPATABLE SIZES.

BCI SIZES

BTX30L-BS
BTX30L

YUASA SIZES

GYZ32HL
YIX30L

ETX SIZES

No Compatible Sizes.



NLP30 Battery

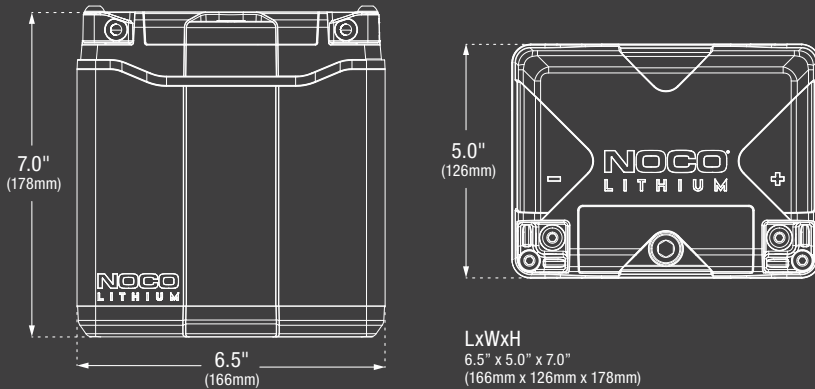
RECHARGE TIME

GENIUS1	480 Minutes
GENIUS2	240 Minutes
GENIUS5	96 Minutes
GENIUS10	48 Minutes

TECHNICAL SPECIFICATIONS

BCI SIZE:	30
CHEMISTRY:	Lithium Iron Phosphate (LiFePO4)
NOMINAL VOLTAGE:	12.8
AMP-HOURS:	7.8
WATT-HOURS (WH):	99.84
STARTING CURRENT:	700
CHARGING VOLTAGE (V):	14.6V
CHARGING CURRENT (A):	24A (Max)
OPERATING TEMPERATURE:	-20°C to 60°C
CHARGING TEMPERATURE:	-10°C to 50°C
STORAGE TEMPERATURE:	-20°C to 60°C
WEIGHT:	5.0 lbs (2.27kg)
VOLUMETRICS:	<p>Retail Packaging: Dimensions: 6.81" x 5.20" x 8.39" Weight: 6.09 lbs. UPC: 0-46221-19011-3</p> <p>Master Carton: Dimensions: 14.49" x 8.82" x 12.09" Weight: 26.16 lbs Quantity: 4 UCG: 10046221190110</p> <p>Inner Carton: Dimensions: 8.54" x 7.0" x 5.67" Weight: 6.33 lbs</p>

WHAT'S IN THE BOX



*Accessories not to scale with NLP30

M6 Hex Screw
1mm x 8mm



M10 Hex Screw
1.5mm x 20mm



M6 Hex Screw
1mm x 10mm



User Guide



Hex Key



NOCO

30339 Diamond Parkway, #102
Glenwillow, OH 44139 | USA
1.800.456.6626

no.co

