

Specifications

Placement

Flat surface/floor

Seat Configuration

Bucket/Bench

Construction/Finish

Steel/Black powder coat

Dimensions

(A) 8" (B) 8" (C) 18.25"

Pole or Pedestal

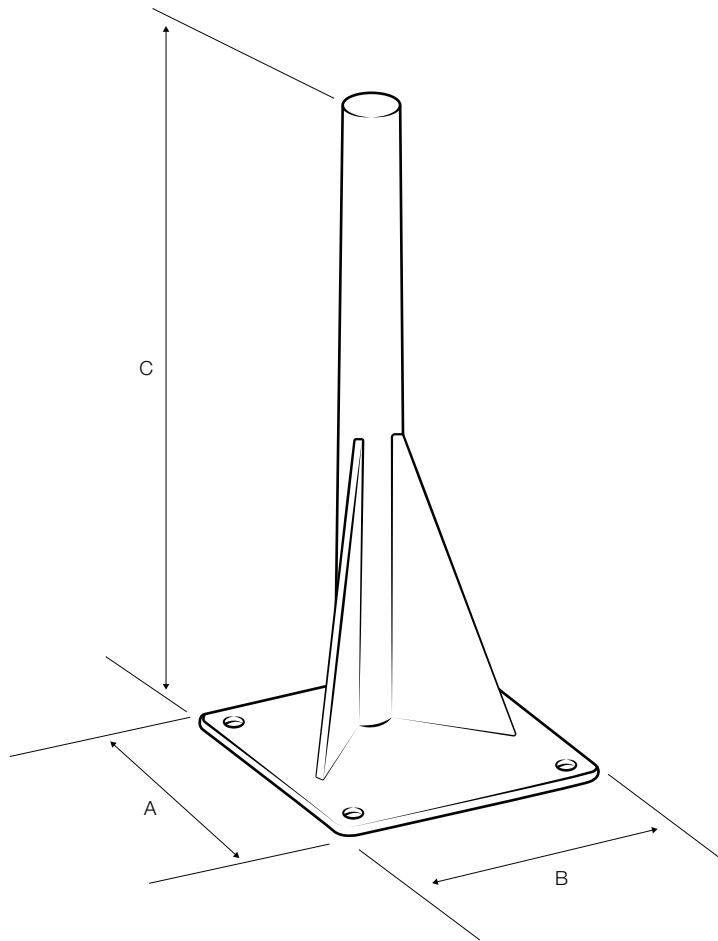
Included

Drilling Required

Yes

Weight

6.9 lbs.

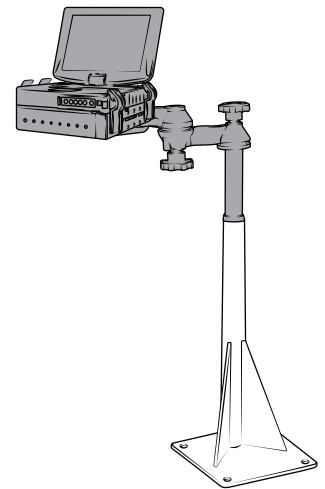


Features

Universal base for any vehicle with a flat mounting surface

Rugged steel construction

Lifetime warranty



Installation Instructions

Please read through the installation instructions entirely before beginning the installation of this product.

- 1 Place base on floor so that the pedestal is in the optimum location.
- 2 Mark the mounting hole locations. Please note that it might be necessary to shim a corner of the mounting base if the floor surface is uneven.
- 3 Drill 17/32" holes in the floor at all of the marked locations. Be extremely careful not to damage any equipment under the floor board of the vehicle when drilling.
- 4 Tighten base in place using bolts, washers, and nuts. If floor is less than 1/4" thick, please use fender washers on the underside to help distribute the weight.

RMR-INS-VBD-122



Safety Precaution

Do not install this product near or over an airbag deployment area or in a location that obstructs the driver's vision or interferes with vehicle operation. National Products, Inc does not assume responsibility or liability for any such personal injury, death or property damage.