

# MD MOUNT KIT

## 16062315

CHEVY S-10 PICK-UP '94-'03

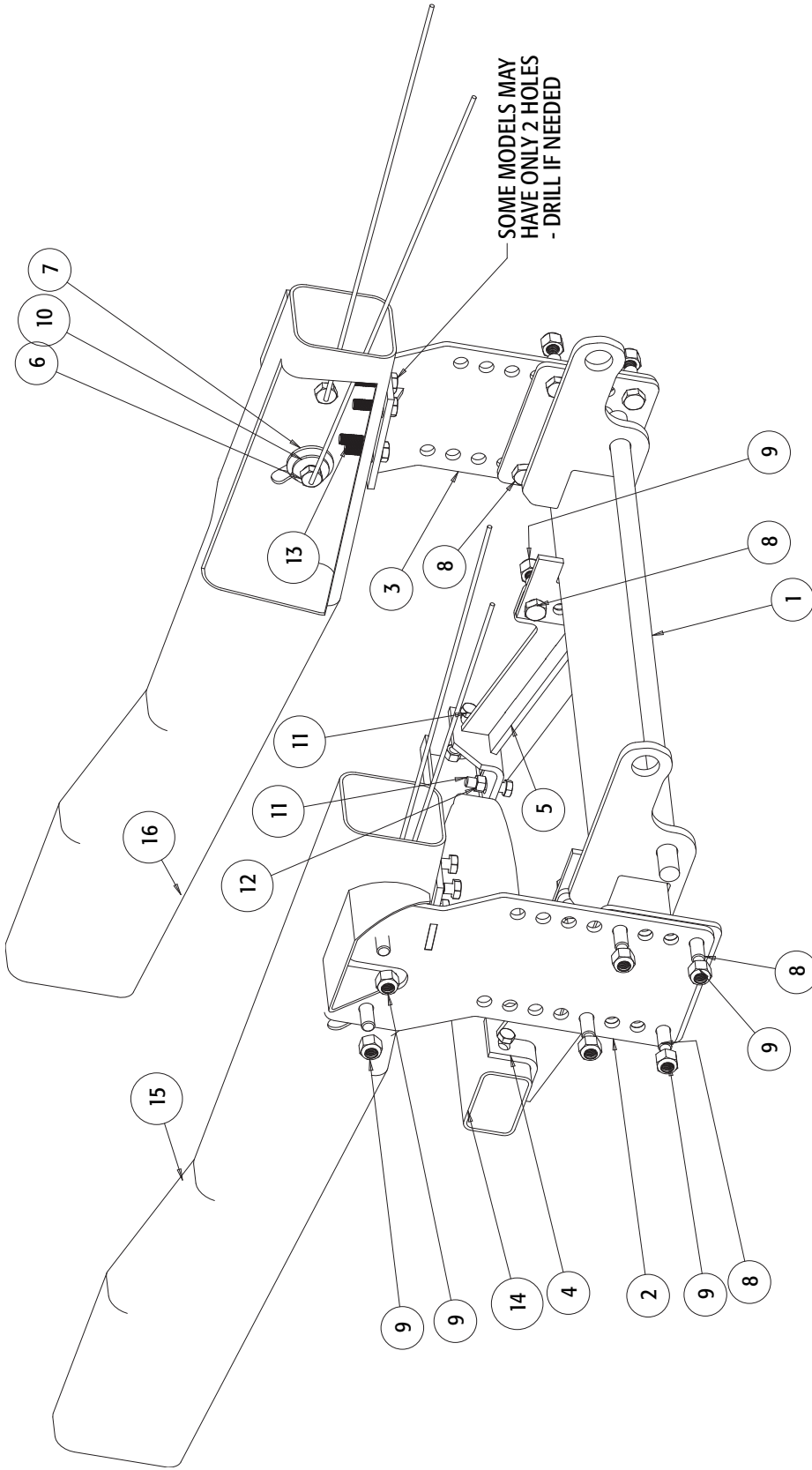
GMC S-SERIES PICK-UP '94-'03

S-SERIES BLAZER/JIMMY '95-'03



# SnowDogg® Snowplow

## TRUCK MOUNT INSTALLATION MANUAL



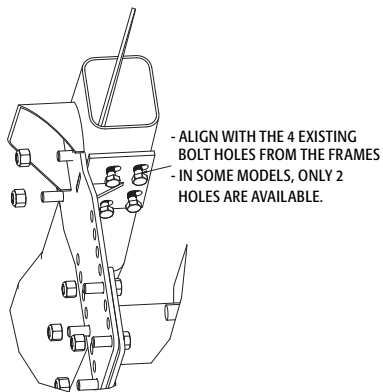
**Parts List**

ITEM	PART NO.	QTY.	DESCRIPTION
1	16062322	1	Push Bar
2	16062317	1	Side Plate, Main Mnt S-10 PS
3	16062318	1	Side Plate, Main Mnt S-10 DS
4	16062319	1	Rear Brace, PS Weldment S-10
5	16062321	1	Rear Brace, DS Weldment S-10
6	16801004	4	Screw, Hex HD, 1/2-13 x 1-1/2 Gr. 5 w/HDL
7	3000144	2	Washer, FL - 5/8 USS ZN
8	3006202	12	Screw, Hex HD - 1/2-13 x 1-1/2 Gr. 8 ZN
9	3002397	16	Locknut, Hex 1/2-13, ZN Gr. 8
10	FWF050138014	2	Washer, Flat, .500 x 1.38 x .14, ZN
11	FCS038016150	4	Screw, HX HD Cap 3/8-16 x 1-1/2 Gr. 5 ZN
12	FNH038016028	4	Nut, 3/8-16 Hex ZN
13	-	8	Vehicle Bolts M-10
14	-	1	Cross Member
15	-	1	Truck Frame PS
16	-	1	Truck Frame DS

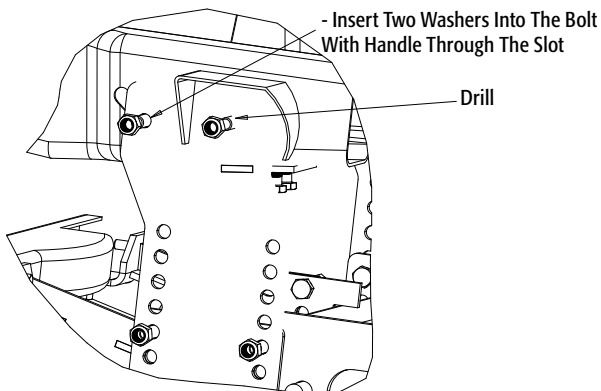
## INSTRUCTIONS

**1.** Remove the bumper (*Optional for this mount*) and bumper fasteners. Set aside for later reinstallation. Remove the tow hooks if your vehicle is equipped with them and retain all the fasteners.

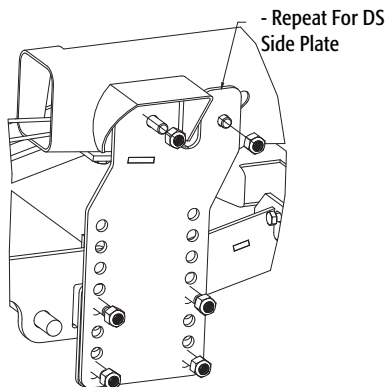
**2.** Position the passenger [PS] Side Plates (5) against the frame of the truck and align them with the four bolts removed from the vehicles earlier. Secure the Side Plates onto the PS frame using the existing fasteners.



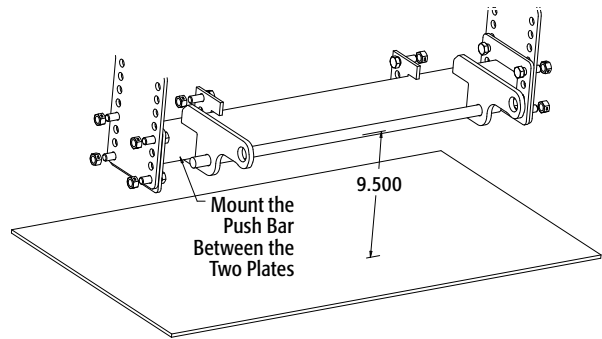
**3.** Look to the side of the PS Side Plate (2), drill through one wall with Ø.531 drill. Insert one Bolts with Handle (6) along with two Washers (7 & 10) and secure them with one 1/2" Nut (9) through the slot hole. Secure the other drilled-hole with one Bolt with Handle (6) and one 1/2" Nut (9).



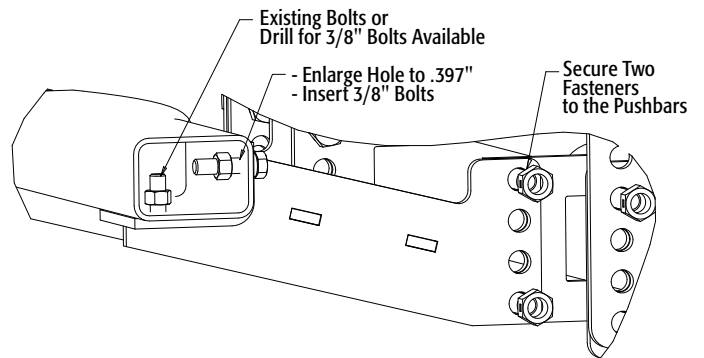
**4.** Repeat Step number 2-3 for the DS Side Plate (3).



**5.** Mount the Pushbar (1) in place between the two side plates using eight 1/2-13 x 1.5 bolts (8) and eight 1/2 -13 locknuts (9). The centerline of the Pushbar cross pin should be approximately 9" to 10.5" from the ground. The air dam of the vehicle may need to be altered to accommodate this height. Improper mounting height will result in uneven cutting edge wear.






**6.** Position the PS Rear Brace (4) to the frame and secure it onto the Pushbar (1) with two 1/2-13 fasteners (8 & 9). In the back, secure the Rear Brace to the *truck's cross member frame* using two 3/8" bolts (11) and two 3/8" nuts (12). You may have to enlarge the hole to fit it through.



**7.** Repeat step number 6 for Driver Side Rear Brace (5) installation.

**8.** It may be helpful to route the plow and light control harnesses at this point, prior to bumper re-installation.

**9.** Torque all fasteners as shown in the chart. Check and re-torque all fasteners after 5 hours of usage to ensure safe plow operation. Ensure all coolant lines and wires are clear of the moving or hot components and tie up as necessary.

<b>Recommended Fastener Torque Chart (ft.-lb.)</b>			
Size	 SAE Grade 2	 SAE Grade 5	 SAE Grade 8
1/4-20	6	9	13
5/16-18	11	18	28
3/8-16	19	31	46
3/8-24	24	46	68
7/16-14	30	50	75
1/2-13	45	75	115
9/16-12	66	110	165
5/8-11	93	150	225
3/4-10	150	250	370
7/8-9	150	378	591
1-8	220	583	893

<b>Metric Grade 8.8 (ft.-lb.)</b>			
Size	Torque	Size	Torque
M6	7	M12	60
M8	17	M14	95
M10	35	M16	155

These torque values apply to fasteners except those noted in the instruction.

**WARNING**

- DO NOT under any circumstances disable, remove or relocate any sensors or components related to the operation of the air bags.
- Always follow the vehicle manufacturers' recommendations relating to snowplow installation.
- To comply with Federal Regulations and to assure a safe vehicle, the Front Gross Axle Weight Rating (FGAWR), Rear Gross Axle Weight Rating (RGAWR), and the Gross Vehicle Weight Rating (GAWR) must not be exceeded at any time.
- Due to the variety of equipment that can be installed on this vehicle, it is necessary to verify that the Front Gross Axle Weight Rating (FGAWR), Rear Gross Axle Weight Rating (RGAWR), and the Gross Vehicle Weight Rating (GAWR) are not exceeded at any time. This may require weighing the vehicle and adding ballast as necessary. It may also limit payload capacity of the vehicle. It is the operator's responsibility to verify that these ratings are not exceeded.

**CAUTION**

- Read all instructions prior to assembly
- It is critical that all fasteners be properly torqued for safe plow operation – see chart above.
- Fasteners should be retorqued after 5-8 hours of plow use

**FULL ONE-YEAR WARRANTY**

Manufacturer will repair, or at manufacturer's discretion will replace any part of this snowplow which proves to be defective in workmanship or material under normal use for a period of one year from the date of delivery to the original purchaser. Any cost incurred in returning the product to the supplier is the responsibility of the consumer.

**EXCLUSIONS**

Manufacturer shall not be liable for special, incidental, or consequential damages, or for damages resulting from lack of necessary maintenance, from misuse, abuse, acts of God, or alteration of the product. Some states do not allow the exclusion or limitation of incidental or consequential damages, so the above limitation or exclusion may not apply to you.