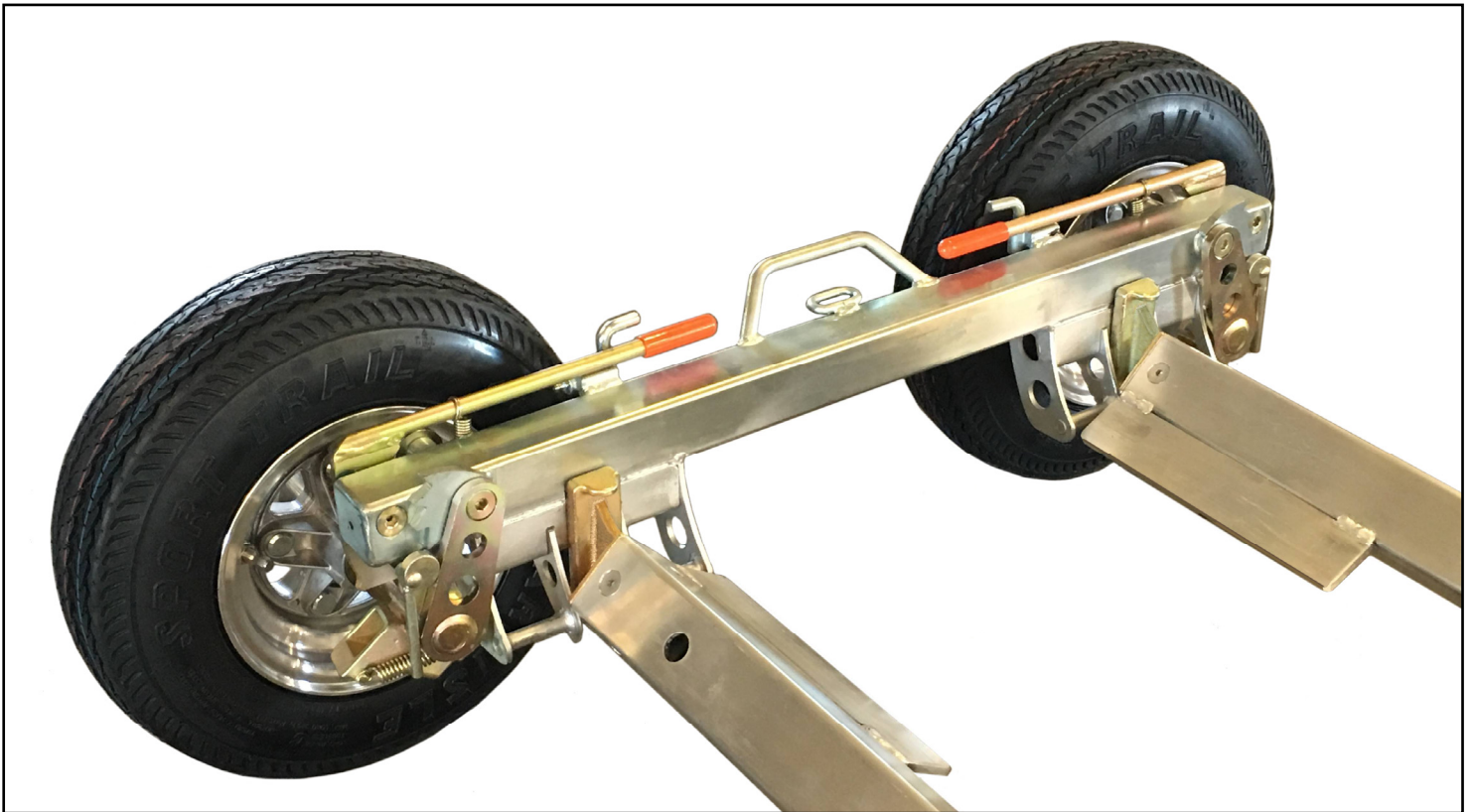




COLLINS

D O L L I E S

HI-SPEED[®] DOLLY OPERATIONS MANUAL



Questions?

Phone: (800) 332-9220 or (541) 774-9220

Email: support@collinsmfgcorp.com

TABLE OF CONTENTS

TITLE PAGE.....	1
TABLE OF CONTENTS.....	2
WARRANTY	3
TERMS AND CONDITIONS.....	3
COLLINS HI-SPEED[®] DOLLY OVERVIEW.....	4
SAFETY PRECAUTIONS.....	4
HI-SPEED[®] DOLLY VISUAL INSPECTION.....	4
HI-SPEED[®] DOLLY PARTS BREAKDOWN.....	5
HI-SPEED[®] DOLLY COMPONENTS.....	5
CROSS RAIL COMPONENTS.....	5
HUB/WHEEL ASSEMBLIES.....	5
HI-SPEED[®] DOLLY OPERATIONS.....	6
TELESCOPING CROSS RAILS AND DOLLY PLACEMENT.....	6
CONFIGURING DOLLY COMPONENTS.....	7
CONNECTING CROSS RAILS TO DOLLY	7
ENGAGING SAFETY RATCHETS.....	8
INSERTING PRY BAR	8
RAISING ALL COLLINS HI-SPEED[®] DOLLIES 1977-PRESENT.....	9
RAISING ALL COLLINS HI-SPEED[®] DOLLIES 1986 TO PRESENT — Continued.....	10
SECURING SAFETY TIE-DOWN STRAPS TO VEHICLE.....	11
SPEED LOWERING OF ALL HI-SPEED[®] DOLLIES FROM 1986-PRESENT.....	12
SLOW LOWERING OF ALL HI-SPEED[®] DOLLIES FROM 1986-PRESENT.....	13
SLOW LOWERING OF ALL HI-SPEED[®] DOLLIES FROM 1986-PRESENT — Continued.....	14
STOWING HI-SPEED[®] DOLLIES FROM 1986-PRESENT	14
SAFETY TIPS FOR COLLINS HI-SPEED[®] DOLLIES 1986-PRESENT — BOWED TRIP HANDLE.....	15
SAFETY TIPS FOR COLLINS HI-SPEED[®] DOLLIES 1986-PRESENT — CROSS TYING.....	16
COLLINS HI-SPEED[®] DOLLY INSPECTION/MAINTENANCE SCHEDULE	17
DOLLY TIRES LOAD RATINGS.....	17
COLLINS HI-SPEED[®] DOLLY FRAME DIMENSIONS.....	17
COLLINS HI-SPEED[®] DOLLY CROSS RAIL DIMENSIONS.....	17

WARRANTY

TERMS AND CONDITIONS

Limited Non-Transferable Warranty

1. By accepting delivery of any product manufactured by Collins Manufacturing Corp. ("Collins"), through an authorized distributor, the original purchaser ("Customer"), agrees to be bound by the terms and conditions listed below. Collins and Customer agree that the following terms and conditions are the exclusive terms governing the warranty between Collins and Customer. These terms and conditions are subject to change at any time, without prior written notice. Therefore, terms and conditions must be reviewed each time, before Customer places an order or accepts delivery of any merchandise from Collins, through a Collins-approved dealer or distributor. Warranty is null and void if any Collins product is not purchased through a Collins-authorized dealer or distributor.
2. Collins products come with a one (1) year, from date placed in service, limited, non-transferable warranty that covers defects in material and workmanship in all Collins products. This limited warranty does not cover issues that result from external causes such as: the typical deterioration of coatings, paint, lettering, appearance of items due to wear or exposure to weather, road conditions, road treatments, etc.; any damage or defect due to negligence, alteration, lack of reasonable and necessary maintenance, misuse, abuse, overloading, accident, exceeding rated speeds, improper or unauthorized repairs, or uses for which the equipment was not designed or intended; alterations or modifications that affect performance, operations, or reliability; problems caused by using accessories or parts not supplied by Collins.
3. Collins' obligation under this limited non-transferable warranty, statutory or otherwise, is limited to the repair or replacement of such part or parts, to be determined defective in material or workmanship, following inspection at Collins' facility, or at a facility approved by Collins. Warranty items to be repaired or replaced at Collins' discretion.
4. Under this limited non-transferable warranty, Collins has no obligation to shoulder the expense of labor or transportation in connection with the repair or replacement of parts determined to be defective, nor shall it apply to any product upon which repairs or alterations have been made, without prior authorization by Collins. Customer must possess written authorization from Collins prior to commencement of any work.
5. Except as expressly set forth in this warranty, Collins makes no other warranty, expressed or implied, and hereby disclaims all other warranties.
6. Collins' responsibility for defects in materials or workmanship is limited to repair and replacement of the product, at the discretion of Collins. All express and implied warranties for the product, including, but not limited to, any implied warranties of merchantability and fitness for a particular purpose, are limited in time to one (1) year from date placed in service. No warranties, whether express or implied, will apply after the limited warranty period has expired. All warranty claims must be filed within 10 business days of incident. Collins shall not be obligated for any warranty nor held liable for any incident beyond 10 business days from date of incident.
7. Collins shall not accept liability beyond the remedies provided for in this limited non-transferable warranty, nor for consequential or incidental damages. Collins shall have no liability for third party claims for damages against customer, or for malfunction, delays, interruption of service, loss of business, or any other loss or damage. Collins' liability shall not extend the dollar value of the product that is the subject of a claim, at the time of the claim. This is the maximum amount for which Collins shall be responsible.
8. Field modification of this unit without the advice and consent of Collins will void all warranties pertaining to both purchased components used in the manufacture of this unit, as well as structurally fabricated parts supplied by Collins. Use of other than factory or factory authorized parts will also render the warranty void.

CONGRATULATIONS ON YOUR PURCHASE OF THE COLLINS HI-SPEED[®] DOLLY, THE MOST *IMITATED* DOLLY IN THE WORLD. BE ASSURED THE SLZ MODEL IS THE FINEST AND MOST VERSATILE SELF-LOADING DOLLY EVER DESIGNED. COLLINS' DESIGN ROOTS EXTEND BACK TO AUGUST 1972 WHEN THE FIRST ARTICULATING DOLLY CAPABLE OF LIFTING A VEHICLE OFF THE GROUND WAS INVENTED. SINCE THEN, COLLINS HAS SINGLE-HANDEDLY CHANGED THE DOLLY-TOWING INDUSTRY WITH MAJOR SELF-LOADING DOLLY DESIGN "FIRSTS" SUCH AS:

- 1972 FIRST SELF-LOADING DOLLY
- 1974 STEEL CAMBERED TELESCOPIC CROSS RAILS
- 1977 SAFETY RATCHET SYSTEM
- 1986 SAFETY LOCKS
- 1995 ALUMINUM CAMBERED TELESCOPIC CROSS RAILS
- 2000 GREASEABLE HUBS
- 2006 SERVICEABLE / REPLACEABLE COMPONENTS
- 2006 ALUMINUM GEASEABLE HUBS
- 2008 ALUMINUM 8 X 3.75 WHEELS
- 2010 ALUMINUM SQUARE PRY BARS
- 2016 INTERNAL LOAD-BEARING PIVOT POINTS
- 2016 ZINC PLATING STANDARD

THE COLLINS HI-SPEED[®] DOLLY IS THE SAFEST, LIGHTEST IN WEIGHT, AND HAS HEAVIEST LOAD CAPACITY — UP TO 25 TIMES ITS OWN WEIGHT. COLLINS DOLLIES ARE, AND ALWAYS HAVE BEEN, *PRIME MOVERS* OF VEHICLES, WITH NO RESTRICTIONS ON TOWING DISTANCE, (TESTED TO 1,600 *FREEWAY* MILES WITH ZERO PROBLEMS). THEY WERE ALSO TESTED AT THE GM PROVING GROUNDS IN THE U.S., AS WELL AS UNDERGOING EXTREME, RIGOROUS TESTING AT THE MIRA PROVING GROUNDS IN THE U.K. FOR EUROPEAN CERTIFICATION. HAVING SUCCESSFULLY PASSED THESE GRUELING TESTS AND BECOMING CERTIFIED, THE COLLINS HI-SPEED[®] DOLLY IS THE MOST PROVEN DOLLY OF ALL TIME.

COLLINS DOLLIES HAVE MORE SAFETY FEATURES, TO PROTECT YOU AND YOUR BUSINESS, THAN ANY OTHER DOLLY. TREATED PROPERLY THEY WILL LAST YOU YEARS TO COME — MANY FROM THE 1980'S & 1990'S ARE STILL ON THE ROAD.

SAFETY PRECAUTIONS:

IF NEW TO COLLINS: BECOME THOROUGHLY FAMILIAR WITH ALL CONTENTS OF THIS HI-SPEED[®] DOLLY OPERATIONS MANUAL.

IF NEW TO COLLINS: PRACTICE ALL HI-SPEED[®] DOLLY OPERATIONS EMPTY FIRST, BEFORE LOADING VEHICLES.

PRIOR TO EVERY DOLLY OPERATION, VISUALLY INSPECT ALL DOLLY COMPONENTS. CHECK FOR:

- ***ANY PHYSICAL DAMAGE THAT MIGHT COMPROMISE SAFETY***
- ***FATIGUE CRACKING OF MATERIAL OR WELDS***
- ***DISTORTIONS OF ANY COMPONENT — ESPECIALLY TRIP HANDLE***
- ***FREEDOM OF MOVEMENT OF ALL COMPONENTS***
- ***SMOOTH AND QUIET HUB ROTATION — FOR POSSIBLE WORN OR DRY BEARINGS***
- ***PROPER TIRE INFLATION (MINIMUM 60 PSI OR 4.14 BAR)***
- ***TIRE ISSUES: BULGES, CRACKING, WEATHER CHECKING, CUTS, IRREGULAR TREAD WEAR, ETC.***
- ***ANY LOOSE OR MISSING COMPONENTS, NUTS, OR BOLTS***
- ***SAFETY TIEDOWN STRAPS SHOULD BE FREE FROM DEFECTS OR FRAYED WEBBING***

SHOULD THE "PRE-FLIGHT" INSPECTION TURN UP ANY ANOMALIES, THE AFFECTED EQUIPMENT OR COMPONENT SHOULD BE REMOVED FROM SERVICE UNTIL RECTIFIED, REPLACED, OR REPAIRED.

PRIOR TO LIFTING ANY VEHICLE, MAKE SURE IMMEDIATE AREA IS CLEARED OF UNNECESSARY PERSONNEL

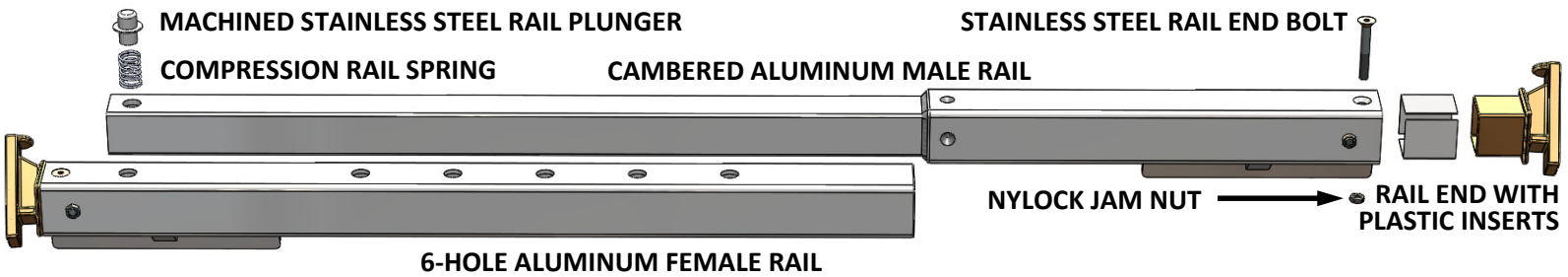
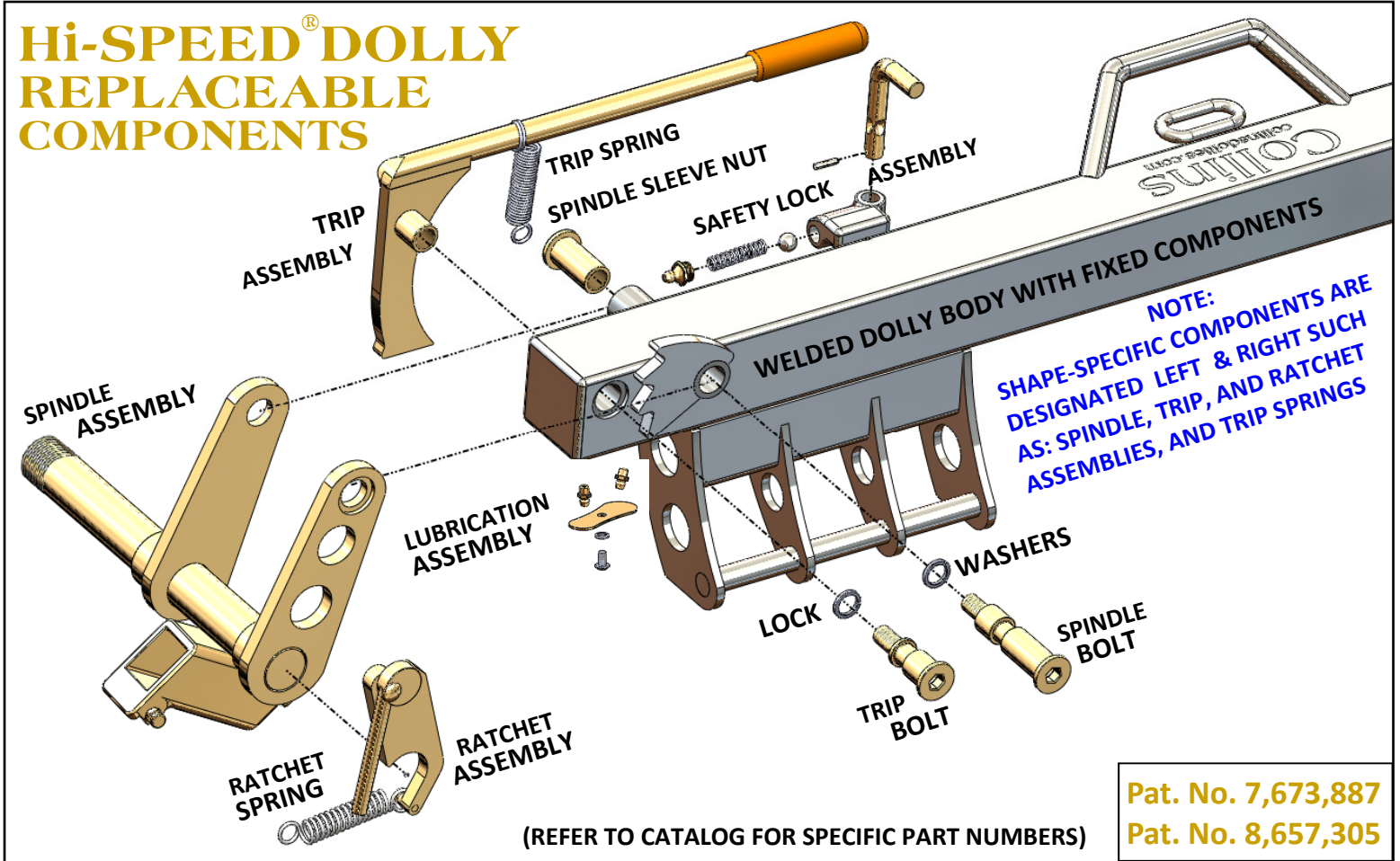
PROPER WORK GLOVES SHOULD BE WORN WITH A FIRM GRIP ON THE PRY BAR.

ENSURE SECURE FOOTING TO AVOID SLIPPING AND FALLING FROM LOOSE GRAVEL, WET OR ICY CONDITIONS, ETC.

DO NOT EXCEED MAX LOAD LIMITS OR AIR PRESSURES LISTED ON SIDEWALLS OF ALL DOLLY TIRES

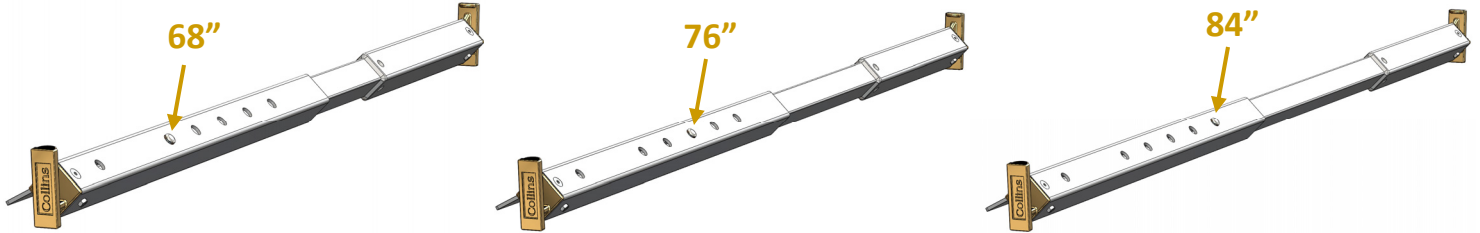
DRIVE SLOW ON ROUGH ROADS — FOR POTHOLES AND RR CROSSINGS, SLOW TO A CRAWL — CHECK MIRRORS OFTEN

**Hi-SPEED[®] DOLLY
REPLACEABLE
COMPONENTS**



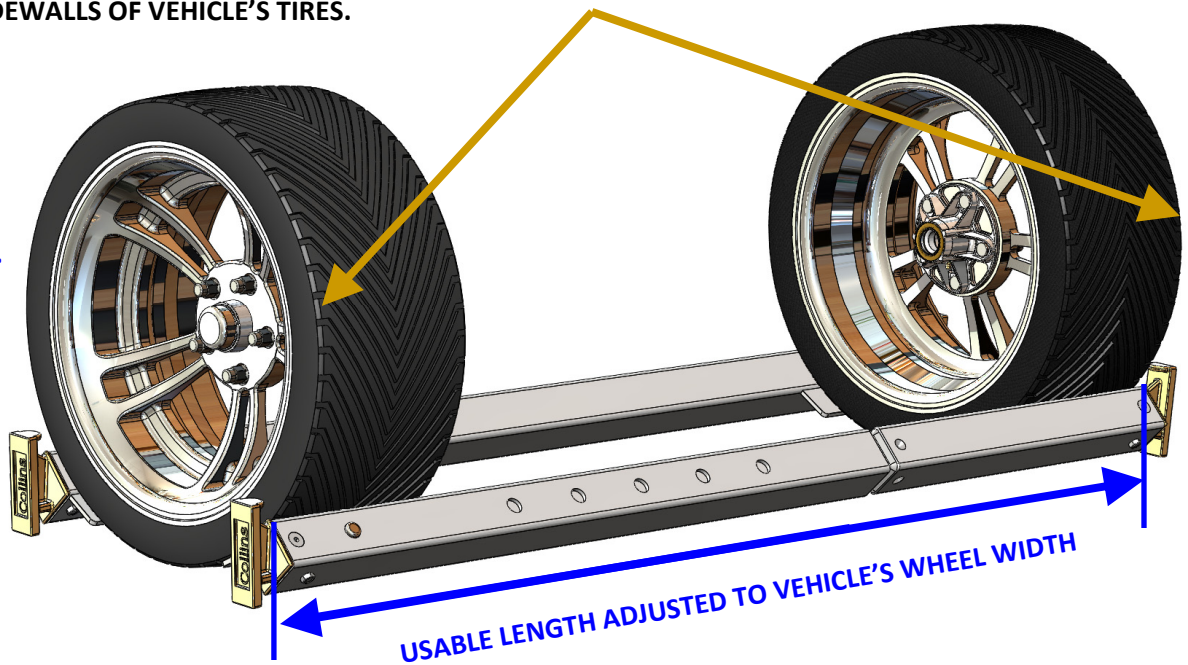
TELESCOPING CROSS RAILS AND DOLLY PLACEMENT

STEP 1. ADJUST TELESCOPIC CROSS RAILS BY FIRST DEPRESSING SPRING-LOADED PLUNGER AND SLIDING OUTER TUBE UNTIL PLUNGER LOCKS INTO HOLE THAT MATCHES TOWED VEHICLE'S TIRE WIDTH. (58" to 84" USABLE LENGTH)



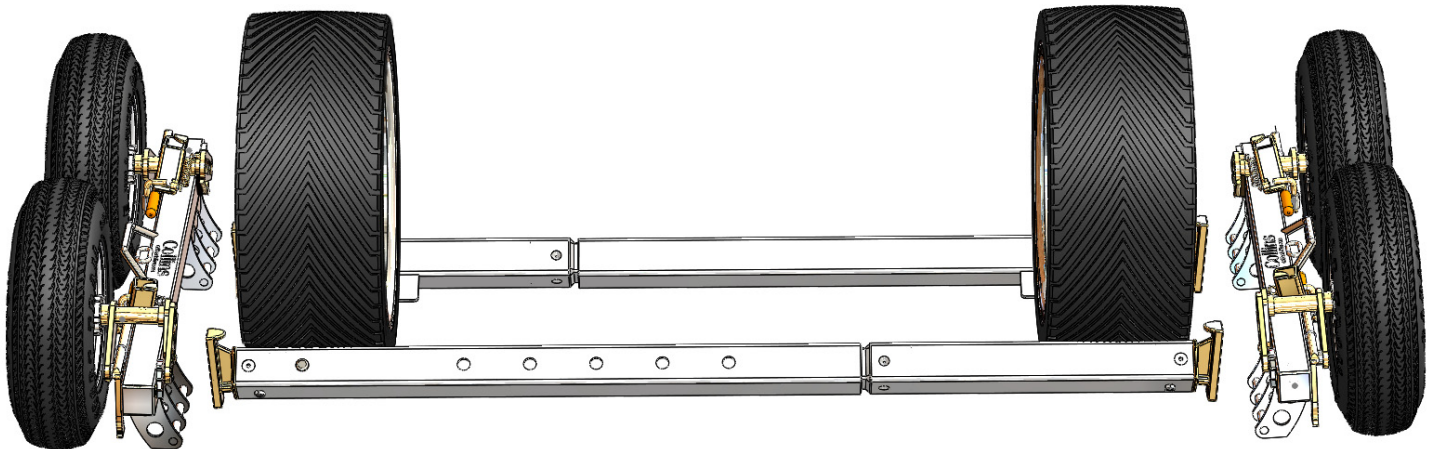
PLACE CROSS RAILS FORE AND AFT OF VEHICLE'S TIRES. LENGTH OF CROSS RAILS SHOULD BE ADJUSTED AS CLOSE AS POSSIBLE TO OUTER SIDEWALLS OF VEHICLE'S TIRES.

NOTE:
MAKE CERTAIN CROSS RAILS ARE PARALLEL AND EQUAL IN LENGTH.



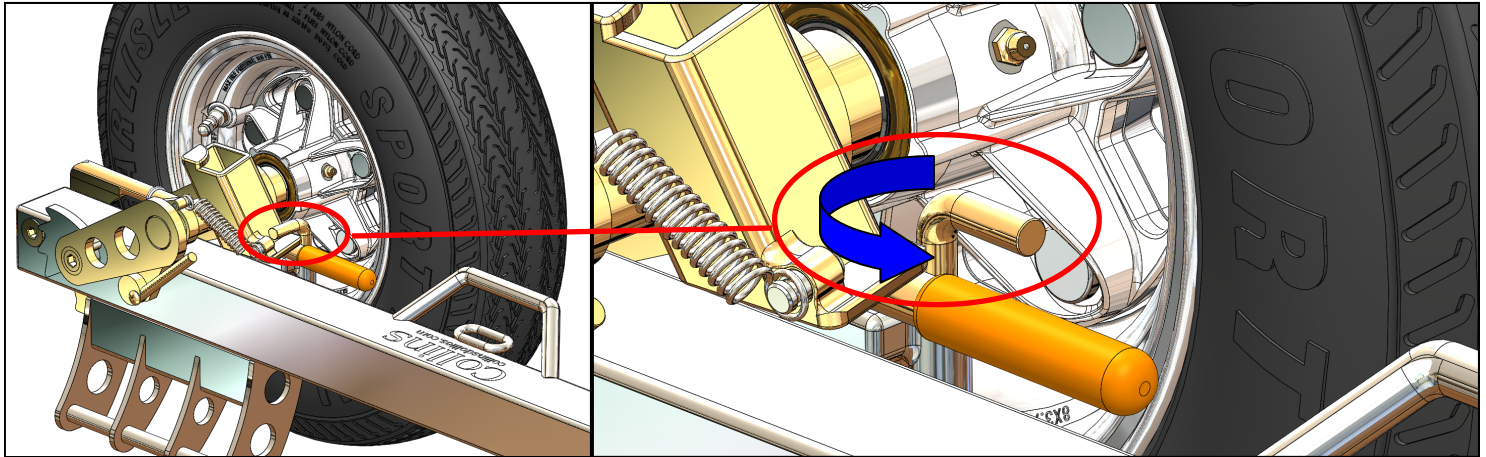
ALL COLLINS CROSS RAILS POSSESS AN ENGINEERED, POSITIVE CAMBER SINCE 1975. A SLIGHT "BOW" IS NORMAL.

STEP 2. PLACE DOLLIES BESIDE VEHICLE TIRES, WITH DOLLY IN UNLOADED POSITION: SPINDLES ABOVE DOLLY.

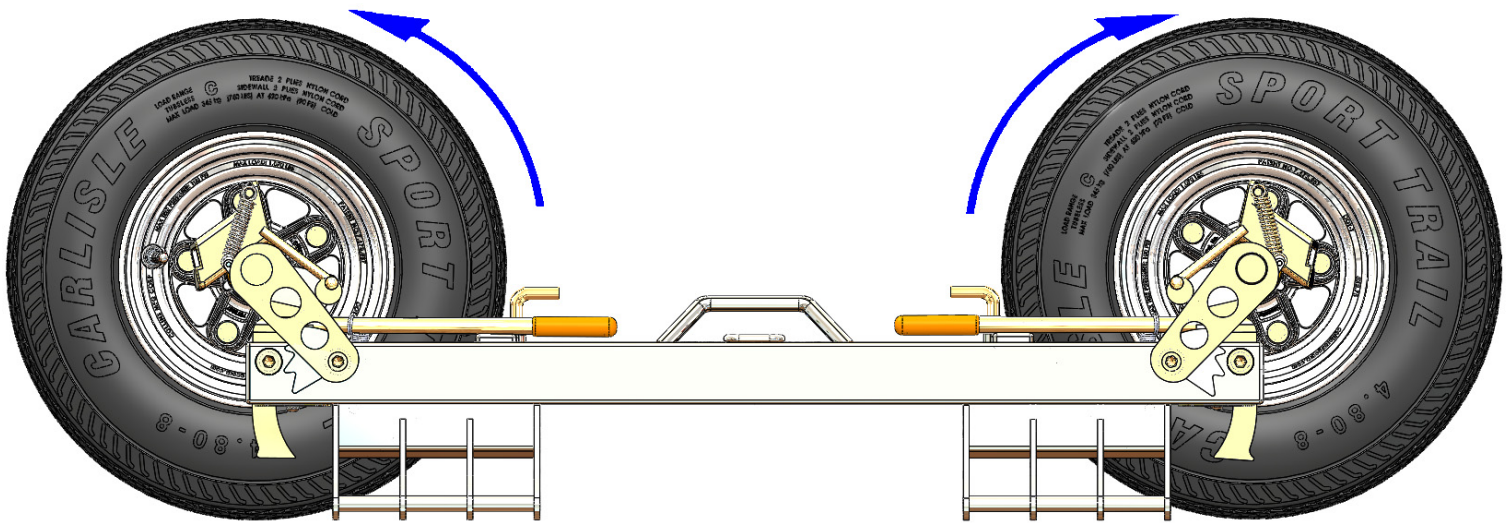


CONFIGURING DOLLY COMPONENTS

STEP 3A. ROTATE SAFETY LOCKS BY TURNING THEM 90° TO RELEASE WHEEL ASSEMBLIES FROM STOWED POSITION.

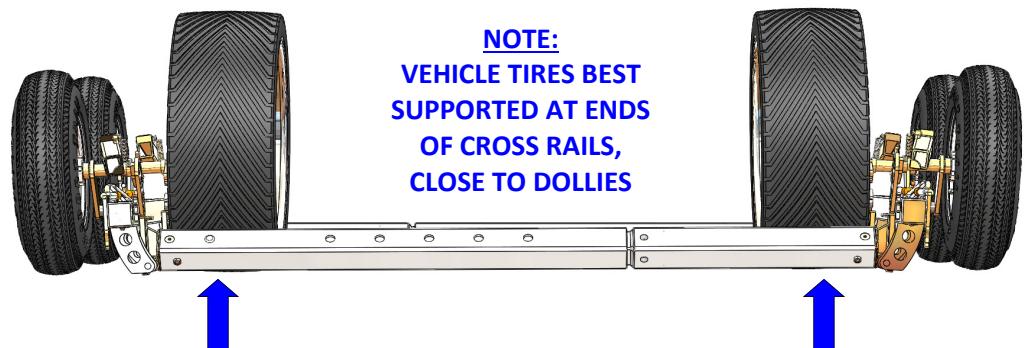
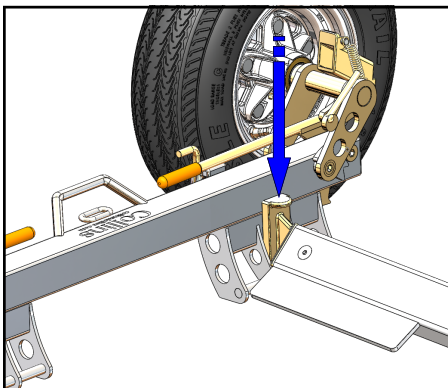


STEP 3B. ROTATE SPINDLE ASSEMBLIES TOWARD OUTSIDE OF DOLLY BODY



CONNECTING CROSS RAILS TO DOLLY

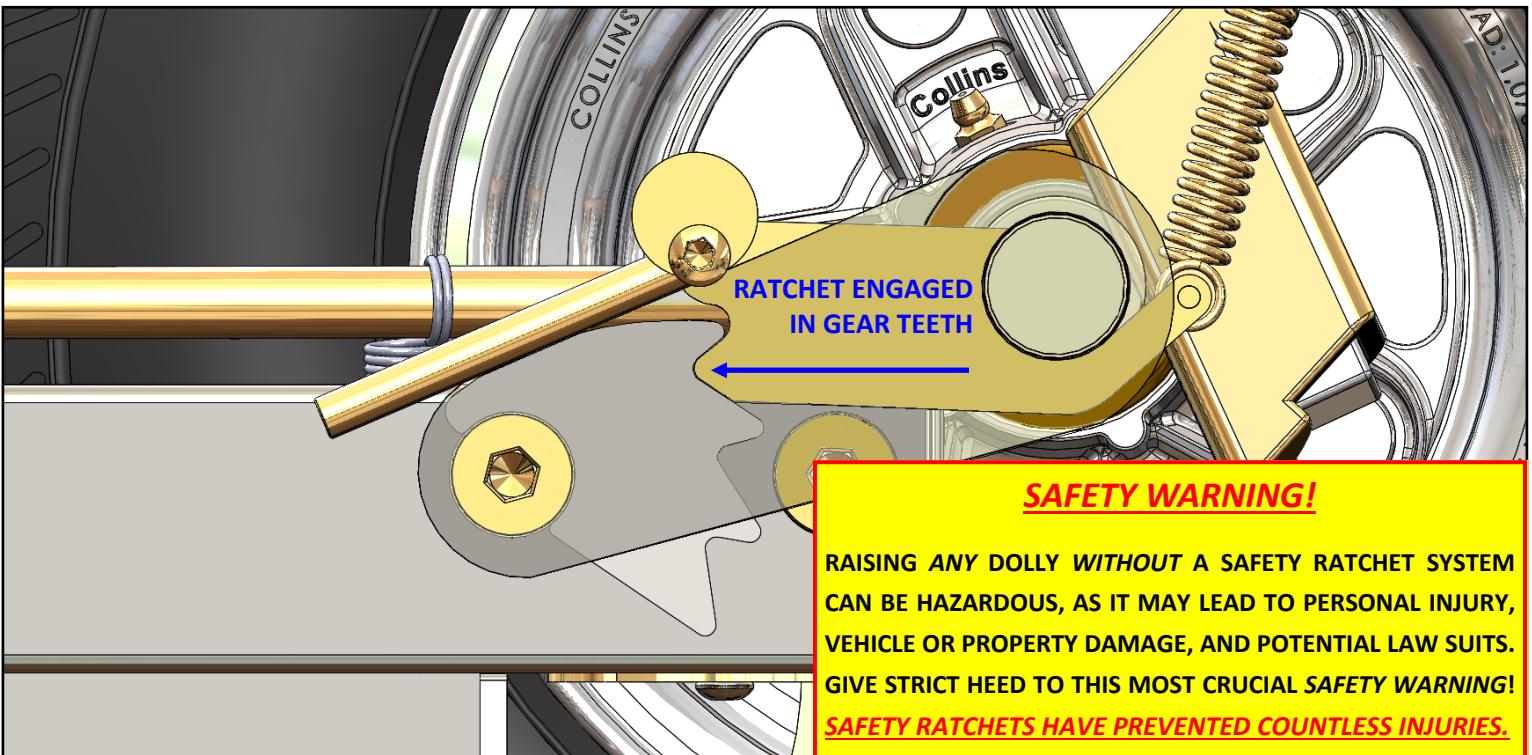
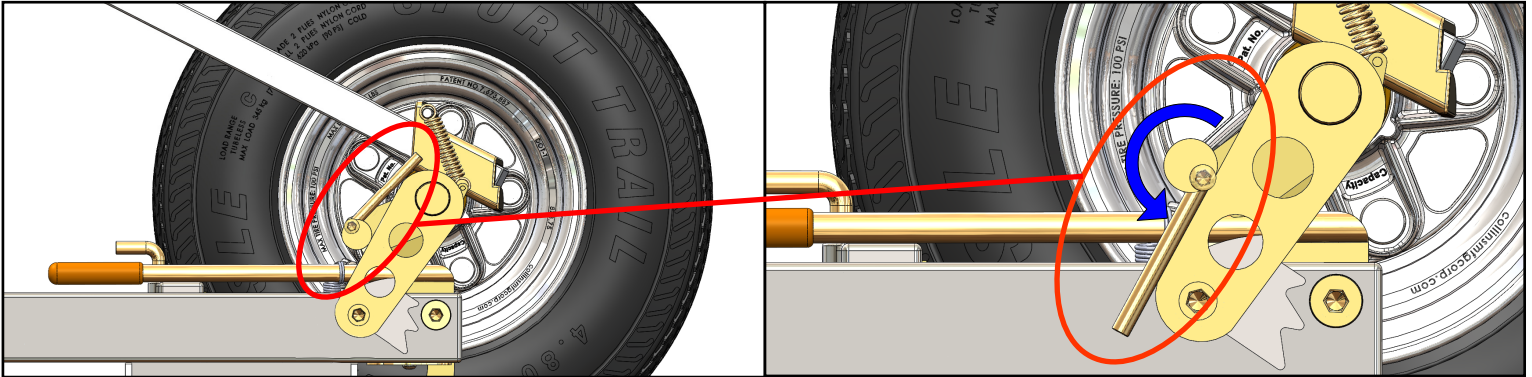
STEP 4. USING THUMB TABS, LOWER CROSS RAIL END PIECES INTO ONE OF DOLLY'S THREE RAIL-POCKET SLOTS, POSITIONING THEM AS CLOSE AS POSSIBLE TO VEHICLE TIRE TREAD, FOR MAXIMUM GROUND CLEARANCE WHEN RAISED.



NOTE:
VEHICLE TIRES BEST
SUPPORTED AT ENDS
OF CROSS RAILS,
CLOSE TO DOLLIES

ENGAGING SAFETY RATCHETS

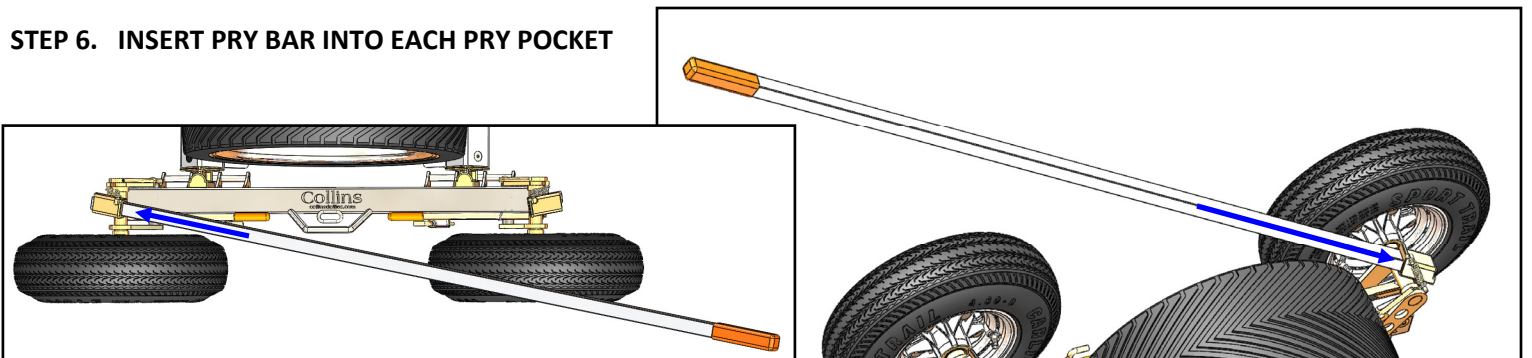
STEP 5. ENGAGE EACH SAFETY RATCHET BY ROTATING CAM HANDLE 180° TO INTERLOCK RATCHET INTO GEAR TEETH



SAFETY WARNING!
 RAISING ANY DOLLY *WITHOUT* A SAFETY RATCHET SYSTEM CAN BE HAZARDOUS, AS IT MAY LEAD TO PERSONAL INJURY, VEHICLE OR PROPERTY DAMAGE, AND POTENTIAL LAW SUITS. GIVE STRICT HEED TO THIS MOST CRUCIAL SAFETY WARNING!
SAFETY RATCHETS HAVE PREVENTED COUNTLESS INJURIES.

INSERTING PRY BAR

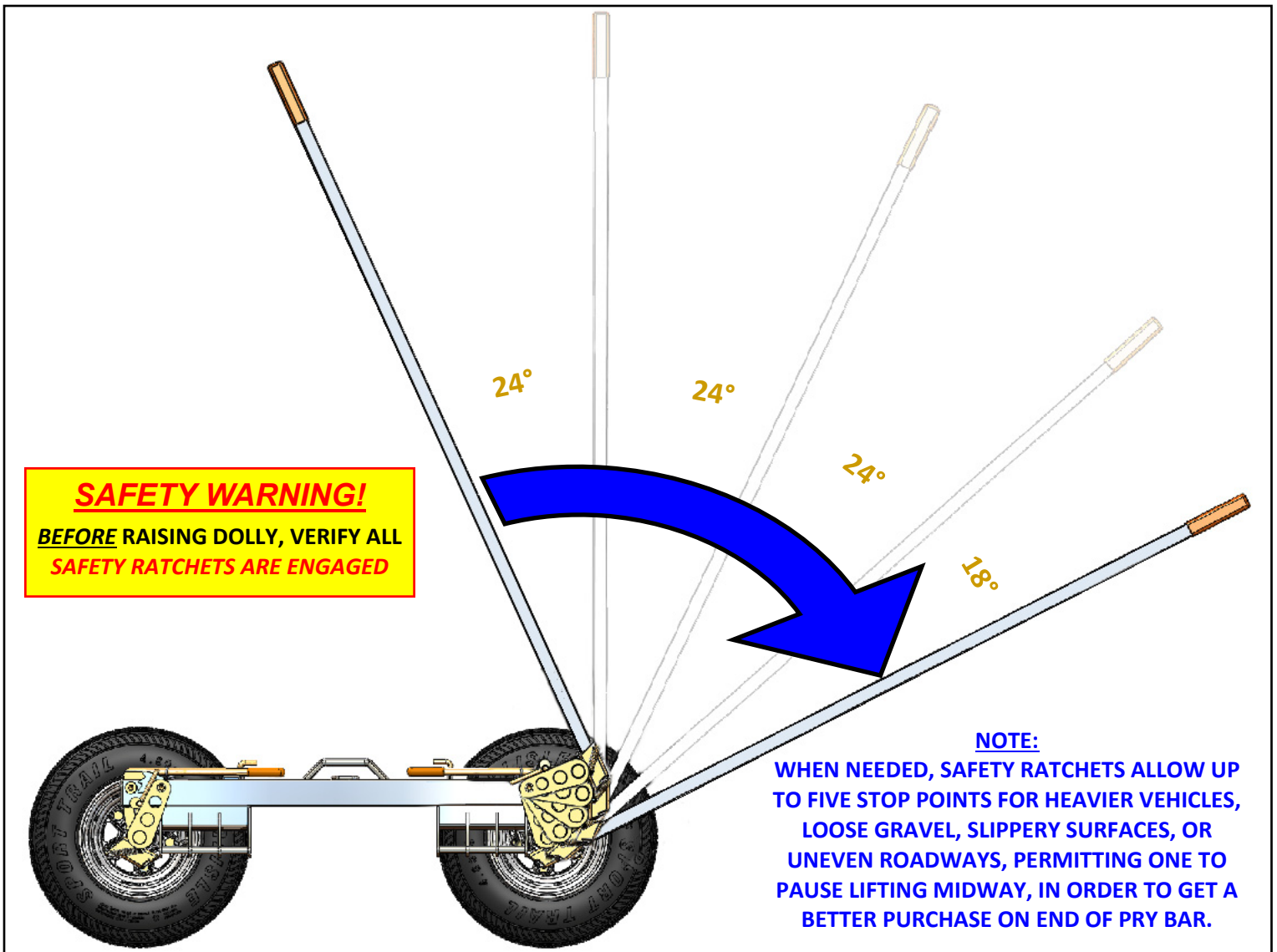
STEP 6. INSERT PRY BAR INTO EACH PRY POCKET



WITH SAFETY LOCKS DISENGAGED — REVIEW PAGE 11 — CROSS RAILS ASSEMBLED TO DOLLIES, SAFETY RATCHETS ENGAGED IN GEAR TEETH, AND PRY BAR INSERTED INTO PRY POCKET, DOLLY IS NOW READY FOR LIFTING. COMPLETE OPERATION FOR ALL FOUR WHEELS.

RAISING ALL COLLINS HI-SPEED[®] DOLLIES 1977-PRESENT

STEP 7. WITH A FIRM GRIP ON END OF PRY BAR WITH BOTH HANDS, LEVERAGE THE DOLLY TIRE BENEATH THE DOLLY. WITH THE SAFETY RATCHETS ENGAGED, THIS CAN BE DONE IN A SINGLE MOTION OR STEPPED UP FOR HEAVIER VEHICLES.



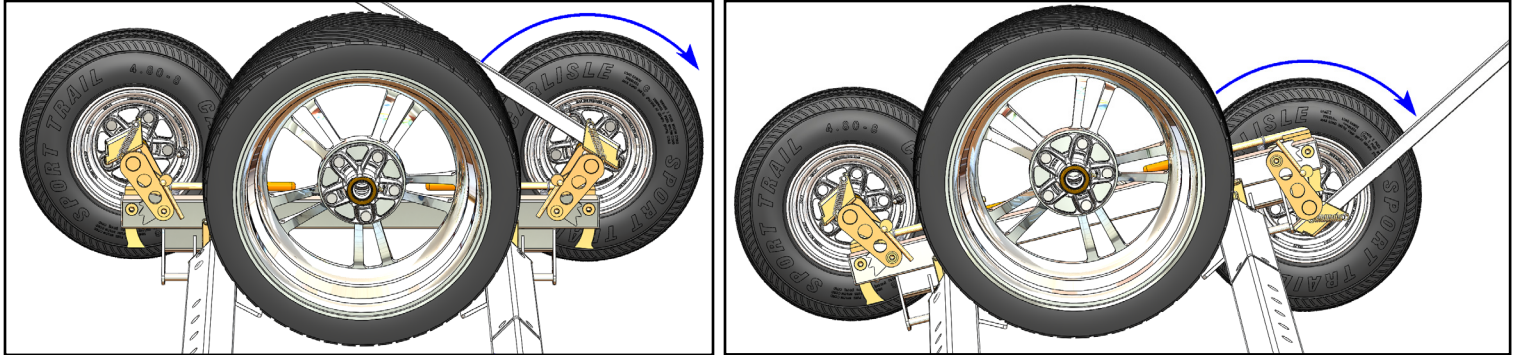
SAFETY PRECAUTIONS:

PRIOR TO LIFTING VEHICLE MAKE SURE IMMEDIATE AREA IS CLEARED OF OTHER PERSONNEL

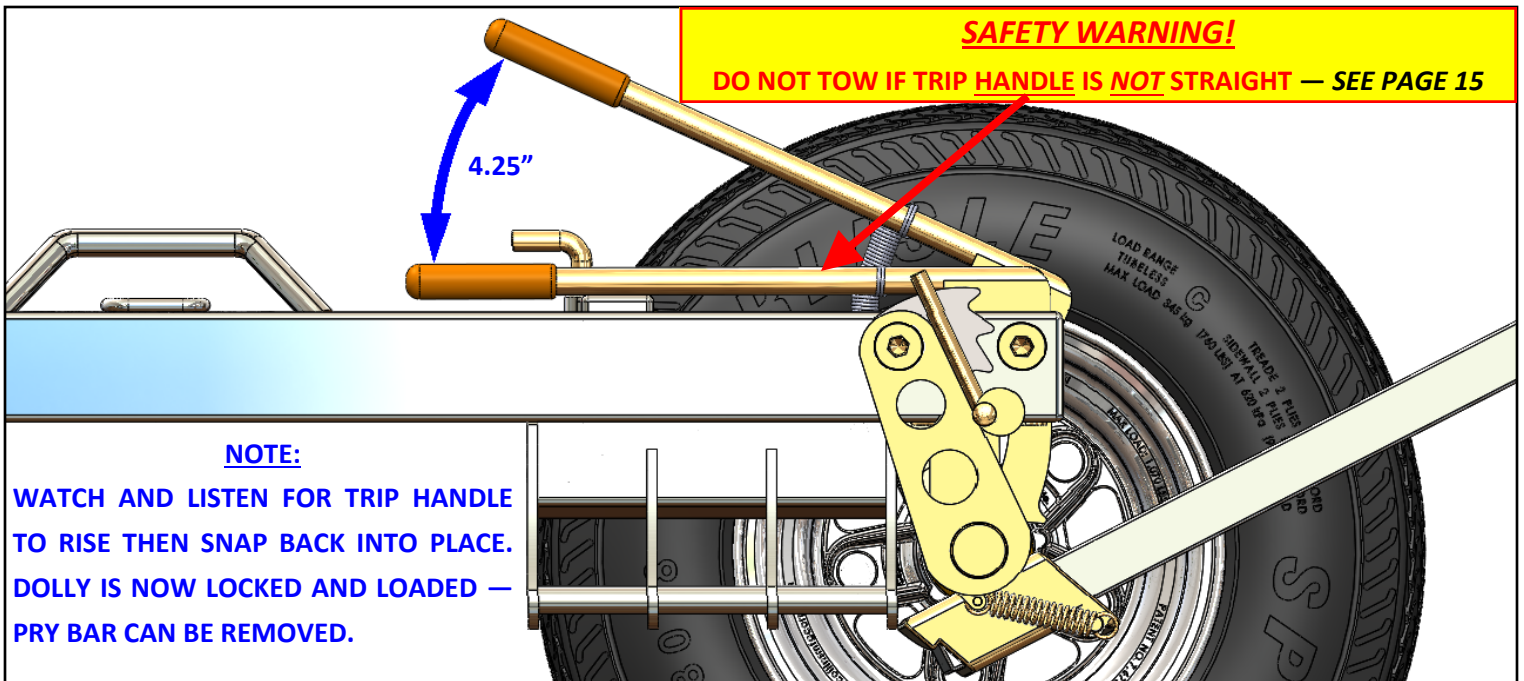
ENSURE SECURE FOOTING TO AVOID SLIPPING OR FALLING.

MAINTAIN FIRM GRIP ON PRY BAR WITH BOTH HANDS.

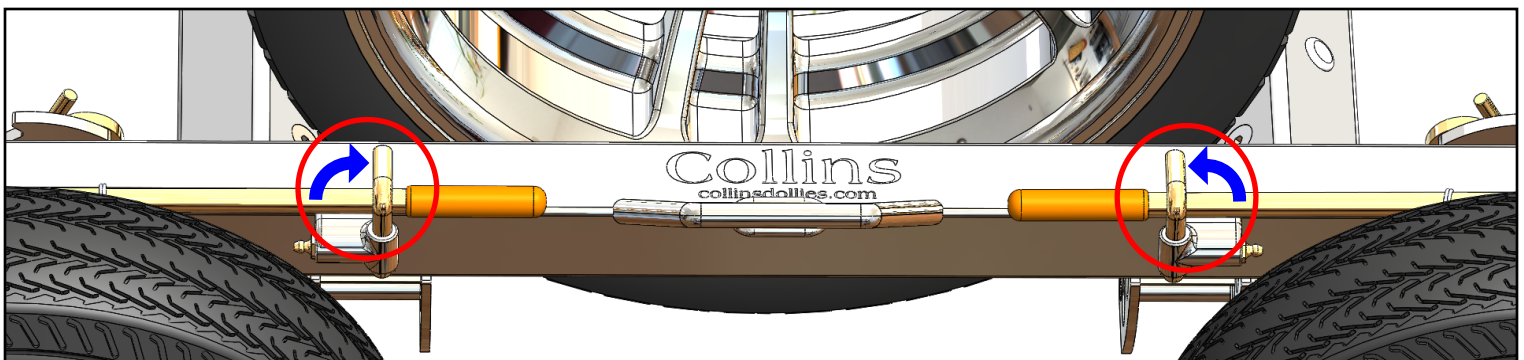
RAISING ALL COLLINS HI-SPEED[®] DOLLIES 1986 TO PRESENT — Continued



STEP 8. WHILE SWINGING PRY BAR IN A FULL ARC, SPINDLE ASSEMBLY WILL FORCE SPRING-LOADED TRIP ASSEMBLY'S HANDLE TO RISE AND FALL 4.25", AUTOMATICALLY LOCKING THE DOLLY IN THE UPRIGHT, LOADED POSITION.



STEP 9. RE-ENGAGE ALL FOUR SAFETY LOCKS OVER TRIP HANDLES.

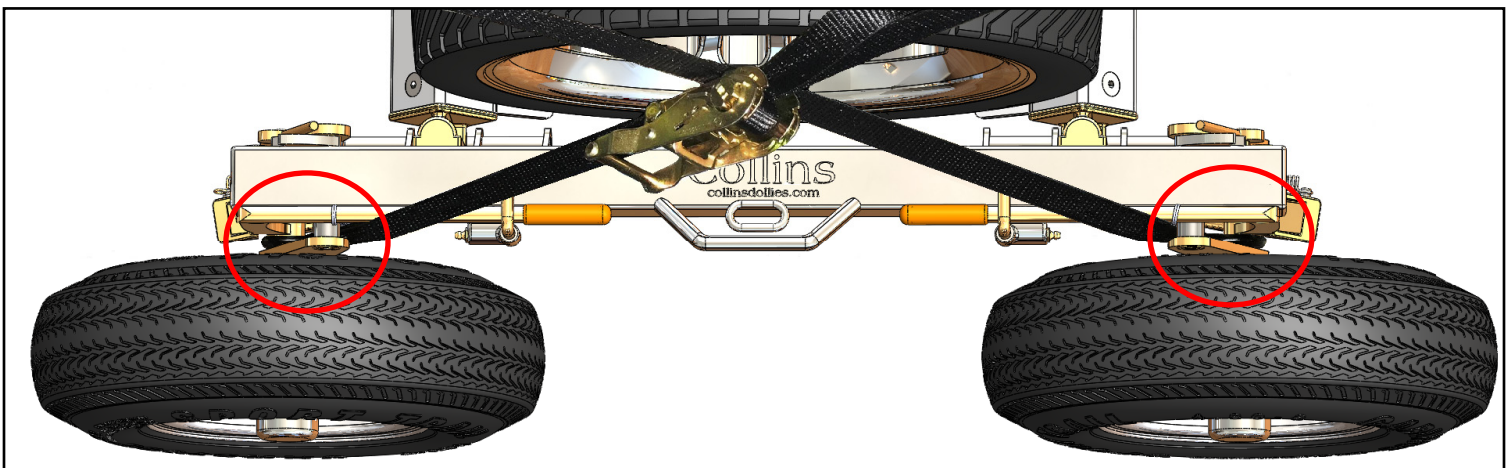
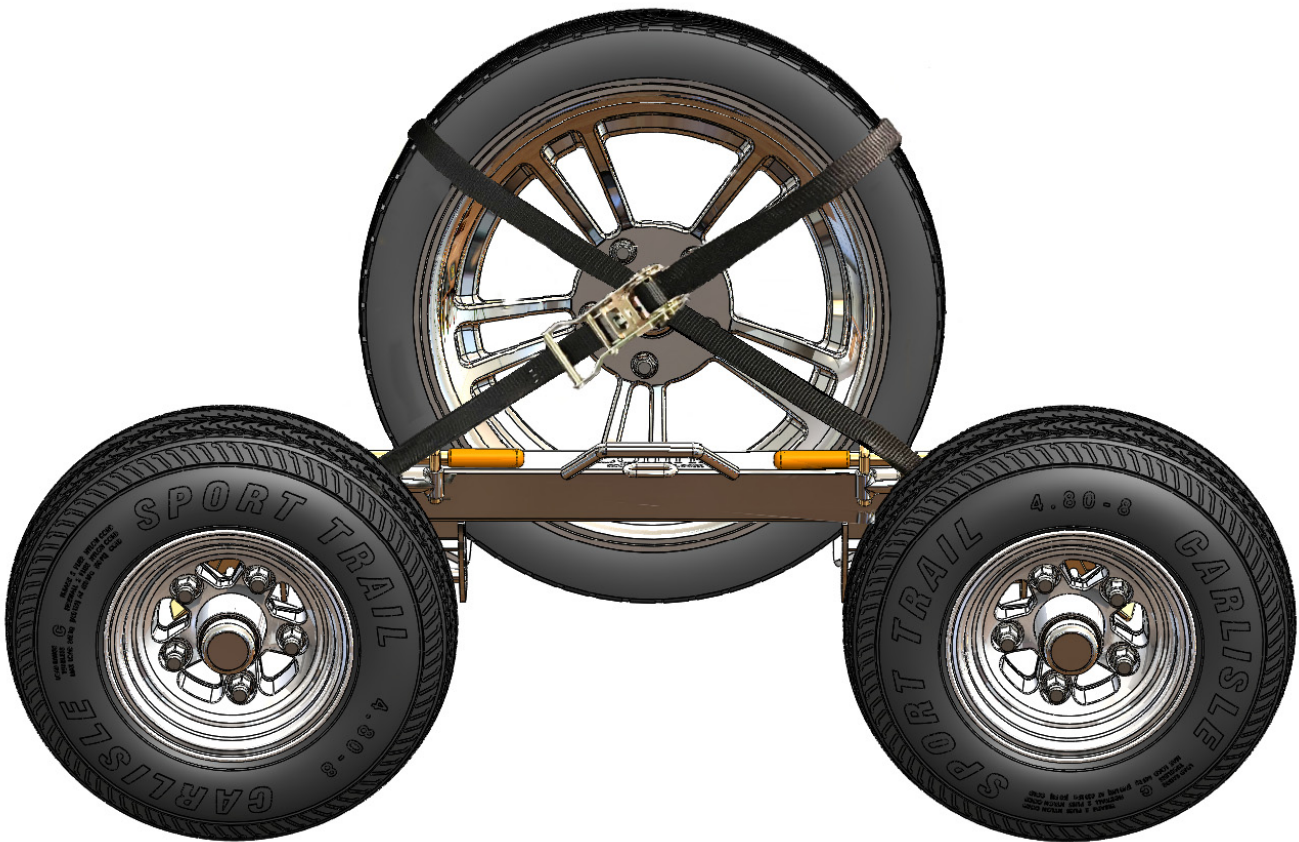


SECURING SAFETY TIE-DOWN STRAPS TO VEHICLE

SAFETY PRECAUTION!

PRIOR TO TIE-DOWN, ALL SAFETY RATCHETS AND SAFETY LOCKS MUST REMAIN ENGAGED TO HELP PREVENT UN-COMMANDED RELEASE OF DOLLY WHILE IN TOW.

STEP 9. COLLINS STRONGLY RECOMMENDS CROSS-TYING SAFETY TIE-DOWN STRAPS DIRECTLY TO DOLLY SPINDLES ON ALL TOWS. THIS IS A BACKUP SAFETY MEASURE TO PREVENT UN-COMMANDED RELEASE OF THE DOLLY WHILE IN TOW.

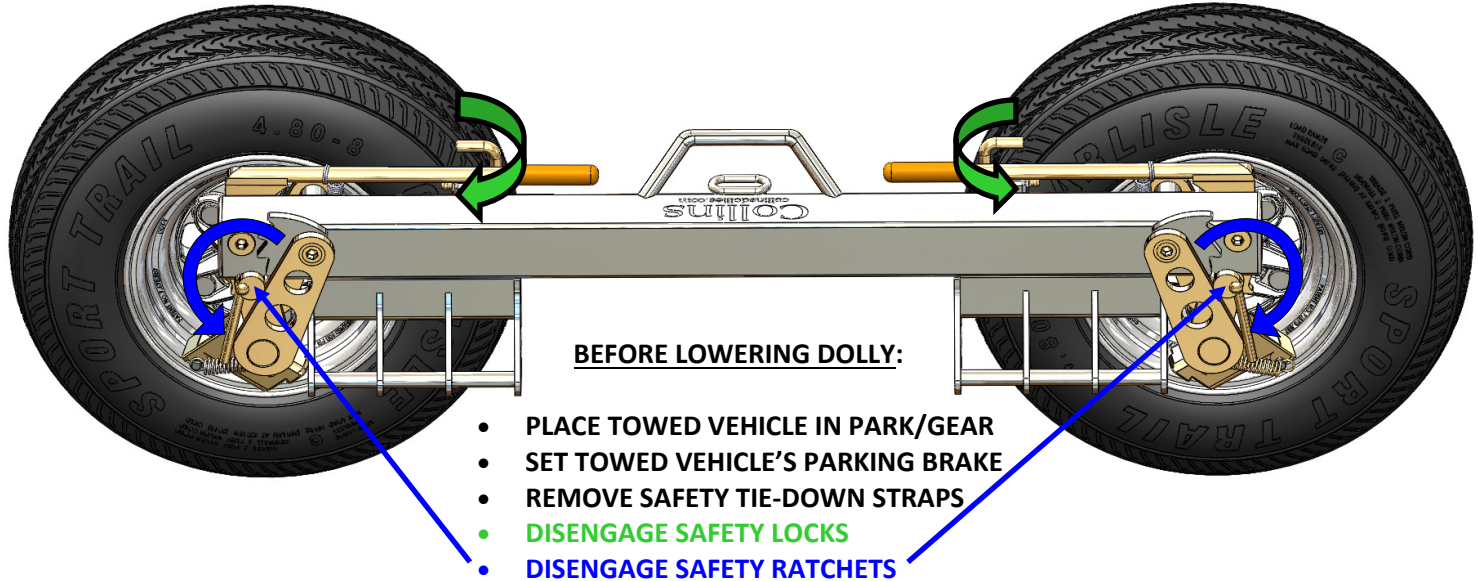




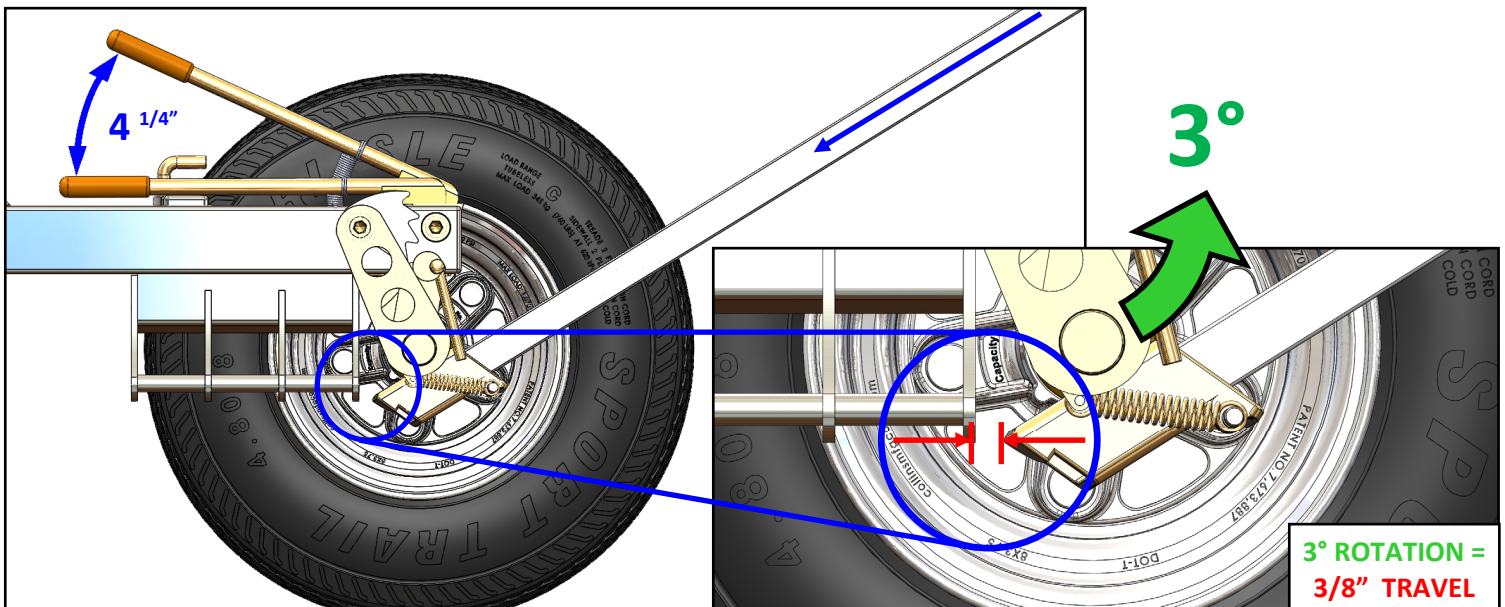
THIS PAGE LEFT BLANK INTENTIONALLY

SLOW LOWERING OF ALL HI-SPEED[®] DOLLIES FROM 1986-PRESENT

SKILL-SET LEVEL: EXPERIENCED — PRACTICE EMPTY BEFORE ACTUAL LOADING!

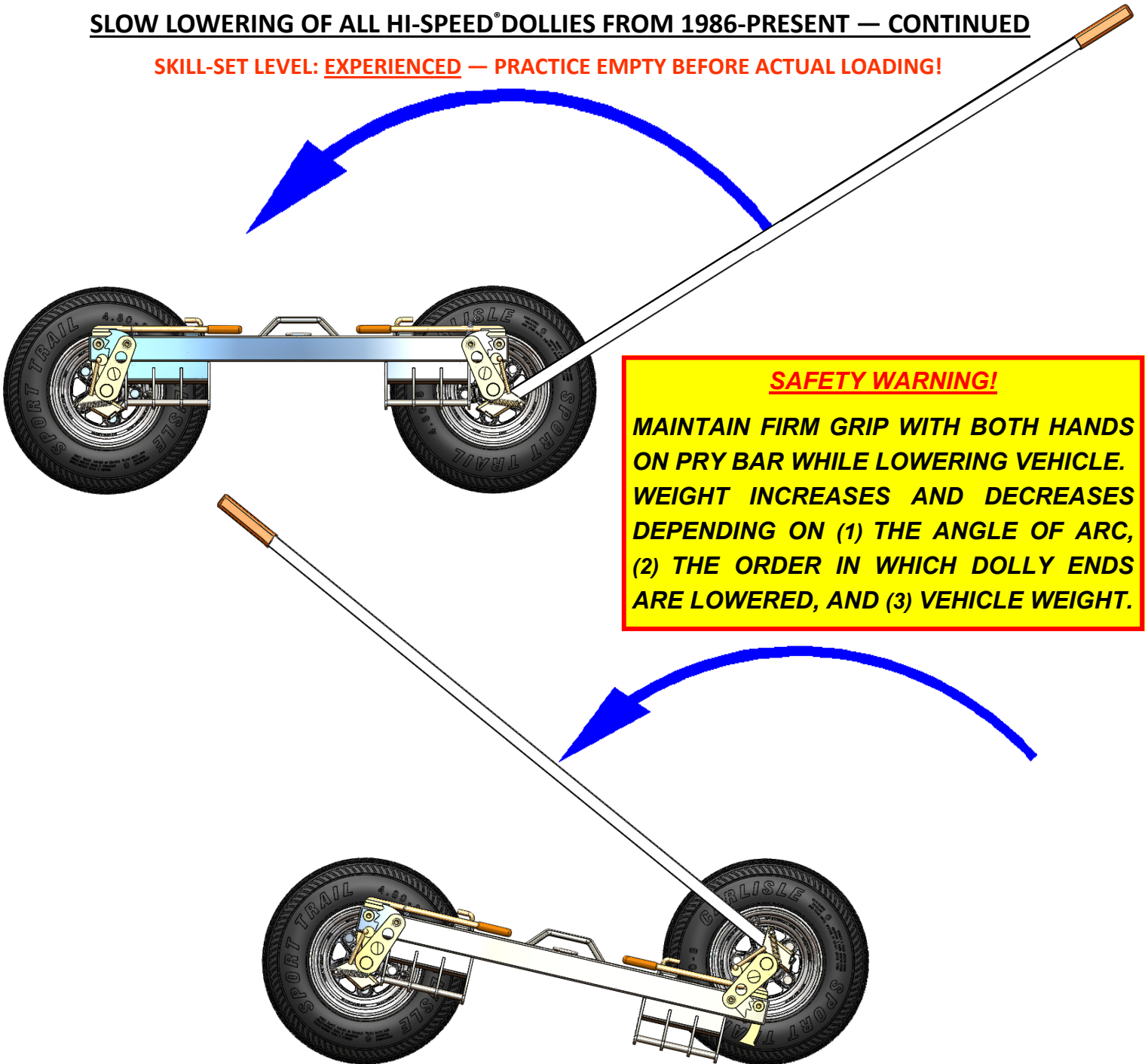


1. AFTER INSERTING PRY BAR INTO PRY POCKET, PUSH DOWN TO RELIEVE PRESSURE ON THE TRIP ASSEMBLY.
2. LIFT TRIP HANDLE ABOUT 4" AND ALLOW SPINDLE ASSEMBLY TO ROTATE 3° BEHIND TRIP BODY.
NOTE: AFTER SPINDLE ASSEMBLY ROTATES A 3° ARC OR 3/8" TRAVEL, IT WILL CLEAR TRIP BODY
3. RELEASE TRIP HANDLE AND PLACE BOTH HANDS ON OF PRY BAR
NOTE: AT THIS POINT LOAD IS ONLY 5-10 LBS AT END OF PRY BAR.
4. WITH A FIRM GRIP WITH BOTH HANDS, CAREFULLY LET WEIGHT SHIFT TOWARD OPERATOR AS PRY BAR IS BROUGHT AROUND, AND END OF DOLLY IS GENTLY LOWERED TO THE GROUND. PERFORM THIS FOR ALL FOUR ASSEMBLIES.



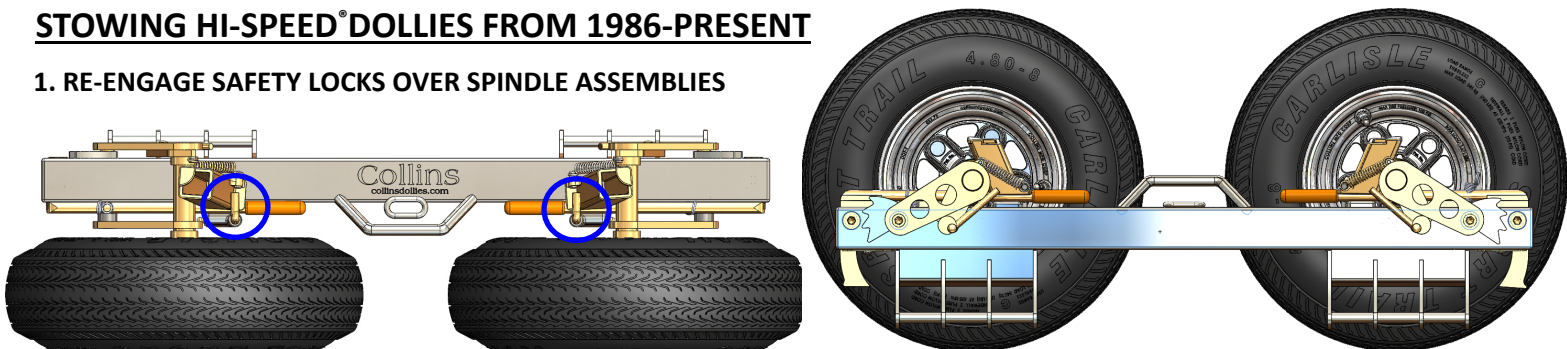
SLOW LOWERING OF ALL HI-SPEED[®] DOLLIES FROM 1986-PRESENT — CONTINUED

SKILL-SET LEVEL: EXPERIENCED — PRACTICE EMPTY BEFORE ACTUAL LOADING!



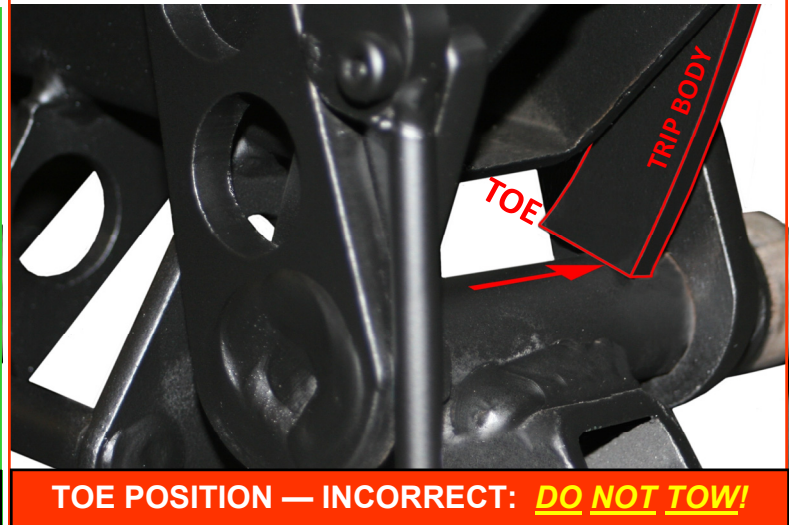
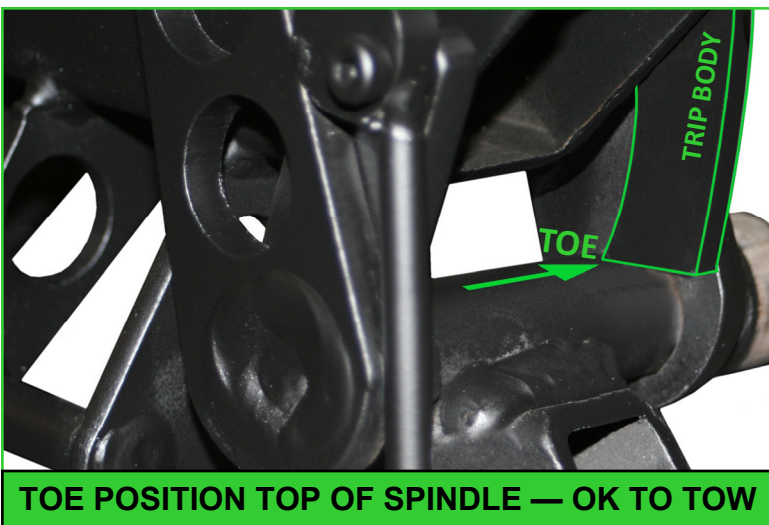
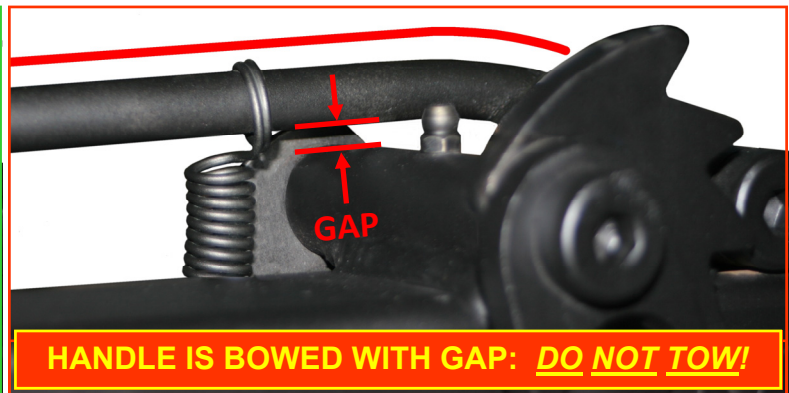
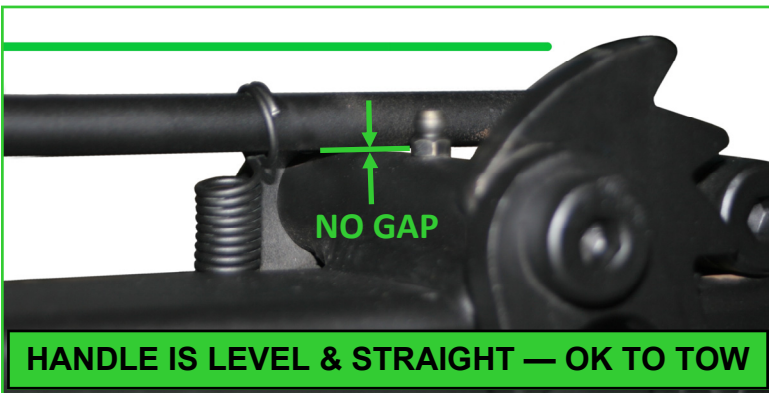
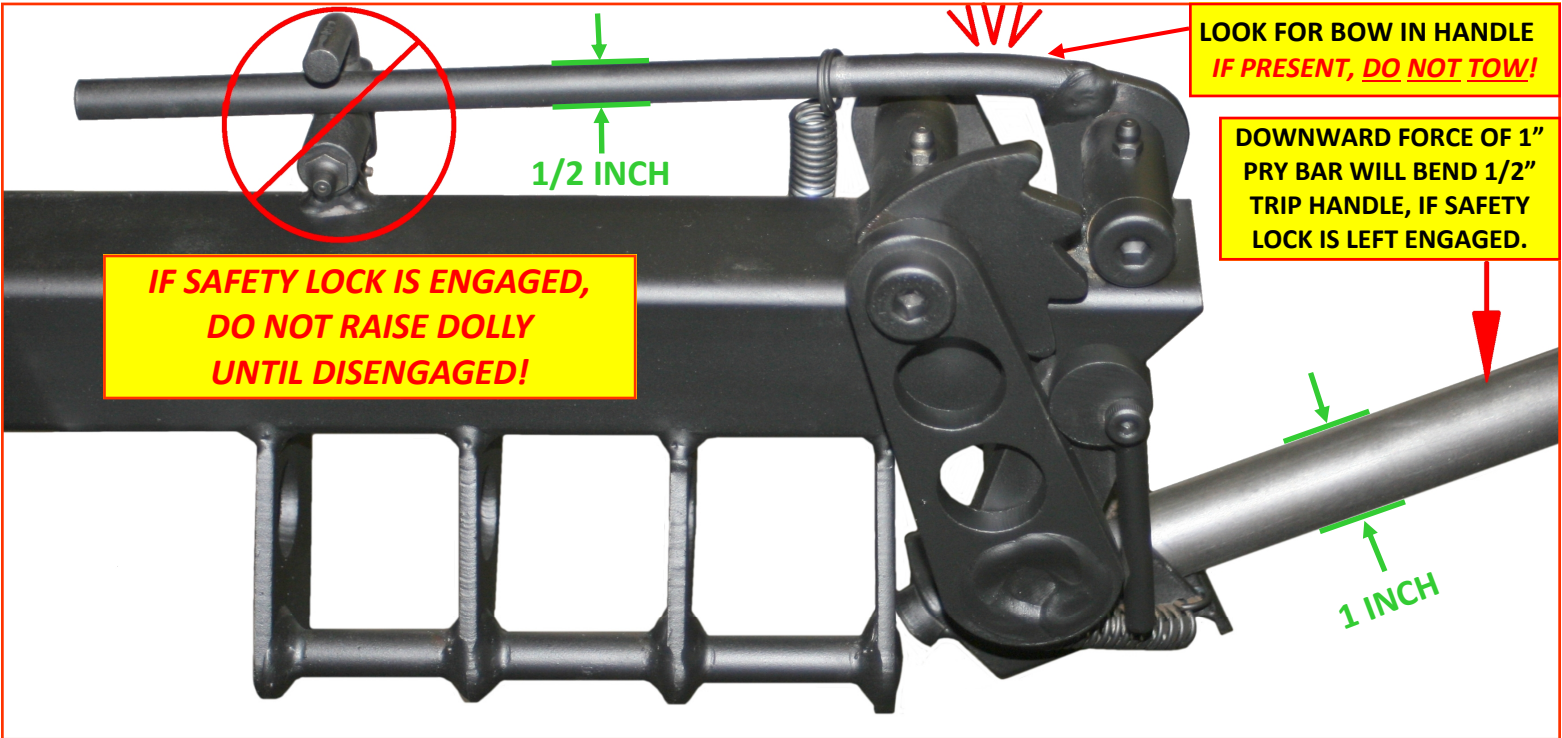
STOWING HI-SPEED[®] DOLLIES FROM 1986-PRESENT

1. RE-ENGAGE SAFETY LOCKS OVER SPINDLE ASSEMBLIES



SAFETY TIPS FOR COLLINS HI-SPEED[®] DOLLIES 1986-PRESENT — BOWED TRIP HANDLE

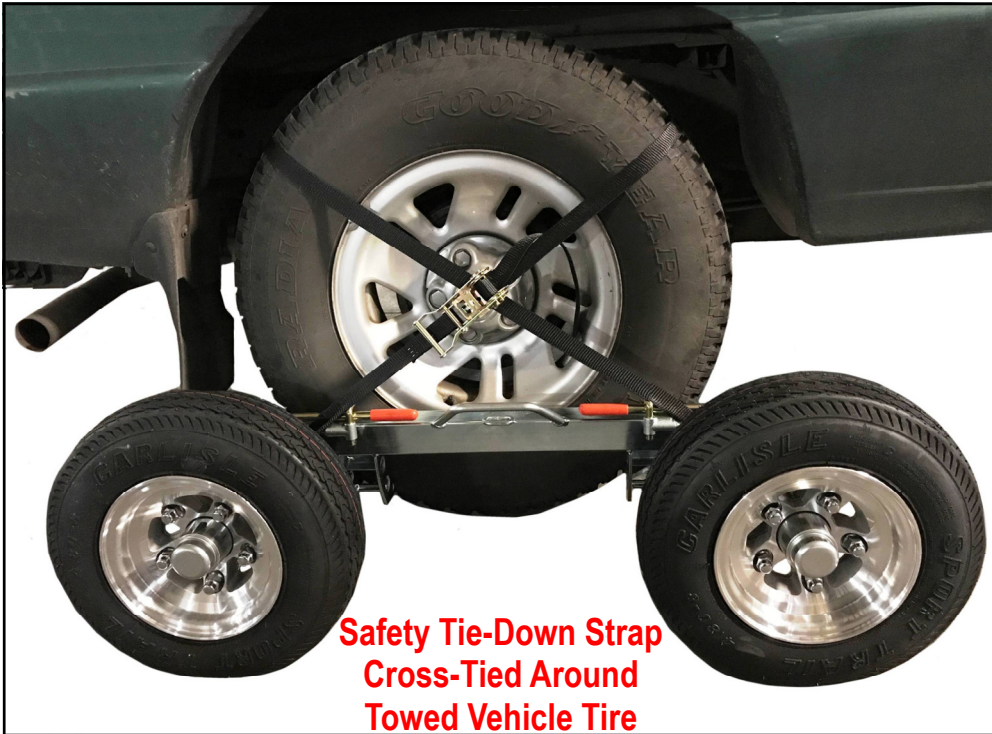
PLEASE REFER TO REAL-LIFE PHOTOS BELOW. FORCING SPINDLE DOWN WITH PRY BAR, WHILE SAFETY LOCK IS ENGAGED WILL BEND TRIP HANDLE, THEREBY CHANGING THE ANGLE OF THE TRIP BODY AS SHOWN BELOW IN RED, (BOTTOM RIGHT). TO STRAIGHTEN HANDLE, SIMPLY REMOVE TRIP SPRING AND SLIDE HOLLOW BAR OVER TRIP HANDLE. PRY UPWARDS UNTIL TRIP HANDLE IS STRAIGHT AND TOE POSITION OF FOOT IS TOP CENTER OF SPINDLE, AS SHOWN BELOW IN GREEN, (BOTTOM LEFT). REATTACH TRIP SPRING. DOLLY IS READY TO TOW.



SAFETY TIPS FOR COLLINS HI-SPEED[®] DOLLIES 1986-PRESENT — CROSS TYING

AS A MATTER OF SAFETY, COLLINS MANUFACTURING CORP. ADVOCATES THE PRACTICE OF SAFETY TIE-DOWN STRAPS ON ALL DOLLY TOWS. THE 2-FOR-1 TIE-DOWN METHOD SHOWN ON PAGE 11 NOT ONLY SECURES THE TOWED VEHICLE TO THE DOLLY, BUT ALSO LENDS AN ADDED MEASURE OF SAFETY, IN PREVENTING UN-COMMANDED RELEASE, KEEPING THE DOLLY UPRIGHT.

WITH THE HOOK COLORED IN **RED**, THE REAL-LIFE PHOTOS BELOW DEMONSTRATE, IN MORE DETAIL, THE TIE-DOWN METHOD.

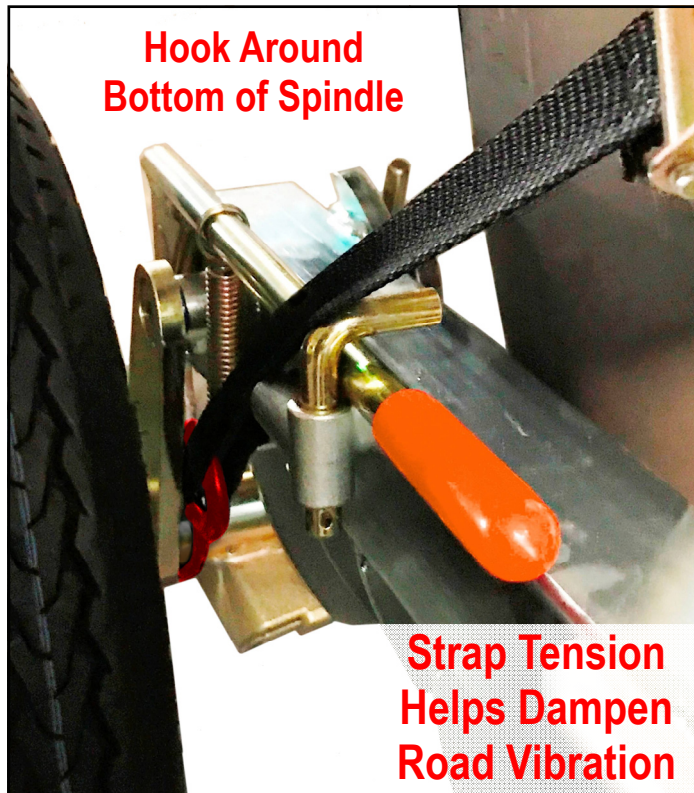


**Safety Tie-Down Strap
Cross-Tied Around
Towed Vehicle Tire**



Tire/Wheel/Hub Removed for Viewing Purposes

**Hooks help keep Spindle
Assembly locked in place.**



**Hook Around
Bottom of Spindle**

**Strap Tension
Helps Dampen
Road Vibration**

COLLINS HI-SPEED[®] DOLLY INSPECTION/MAINTENANCE SCHEDULE

FOR SAFE DOLLY OPERATION, FOLLOW THE GUIDELINES LISTED BELOW:

DAILY/EACH-USE INSPECTION/MAINTENANCE:

- **REFER BACK TO PAGE 4 UNDER “ SAFETY PRECAUTIONS ”**

MONTHLY INSPECTION/MAINTENANCE:

- **ENSURE SPINDLE, TRIP, AND SAFETY LOCK ASSEMBLIES ARE ALL PROPERLY LUBRICATED AND ROTATE FREELY**
- **COAT SAFETY RATCHETS WITH WD-40 AS NEEDED TO PREVENT STICKING, THEN CYCLE RATCHET CAM TO TEST**

QUARTERLY INSPECTION/MAINTENANCE:

- **INSPECT HUB BEARINGS**
- **WHEN NECESSARY, PACK WITH HIGH-TEMPERATURE-RATED BEARING GREASE ONLY**
- **MAINTAIN LUG NUT TIGHTNESS AT 85-95 FT-LBS.**

SEASONAL MAINTENANCE:

- **IN HARSH CLIMATES, GENEROUSLY COAT ALL METAL COMPONENTS WITH WD-40 TO INHIBIT CORROSION AND RUST**

COLLINS HI-SPEED[®] DOLLY SPECIFICATIONS

DOLLY TIRES LOAD RATINGS:

- 4.80 X 8 STATIC LOAD RANGE C = 760 LB. @ 90 PSI OR 3,040 LB PER SET**
- 4.80 X 8 STATIC LOAD RANGE C = 345 KG. @ 6.2 BAR OR 1,379 KG PER SET**
- 5.70 X 8 STATIC LOAD RANGE D = 1070 LB. @ 100 PSI OR 4,280 LB PER SET**
- 5.70 X 8 STATIC LOAD RANGE D = 485 KG. @ 9.6 BAR OR 1,941 KG PER SET**

COMING SOON:

- 4.80 X 8 STATIC LOAD RANGE D = 992 LB @ 100 PSI OR 3,968 LB PER SET (3,968 LB @ 55 MPH, 3,740 LB @ 62 MPH)**
- 4.80 X 8 STATIC LOAD RANGE D = 450 KG @ 9.6 BAR OR 1,800 KG PER SET (1,800 KG @ 88 KPH, 1,700 KG @ 100 KPH)**

COLLINS HI-SPEED[®] DOLLY FRAME DIMENSIONS:

4.80 DOLLY LOADED LENGTH:	46.0”	5.70 DOLLY LOADED LENGTH:	48.0”
4.80 DOLLY STOWED LENGTH:	36.5”	5.70 DOLLY STOWED LENGTH:	39.5”
4.80 DOLLY HEIGHT:	16.5”	5.70 DOLLY HEIGHT:	18.5”
4.80 DOLLY DEPTH:	10.0”	5.70 DOLLY DEPTH:	10.5”

COLLINS HI-SPEED[®] DOLLY CROSS RAIL DIMENSIONS:

ALUMINUM 6-HOLE CROSS RAIL COLLAPSED OD:	61”	STEEL 5-HOLE CROSS RAIL COLLAPSED OD:	61”
ALUMINUM 6-HOLE CROSS RAIL EXTENDED USABLE:	84”	STEEL 5-HOLE CROSS RAIL EXTENDED USABLE:	84”