

500A/620A QUICK INSTALLATION GUIDE

The SV-500A/620A collision avoidance cameras are compact mobile-rated cameras that mount easily in a variety of orientations. The camera's infrared illuminators automatically activate as needed providing you with optimal image quality. Use the following procedure to install the SV-500A/620A Day/Night Cameras.

Installation Guide

The customer should thoroughly read this guide before operating this product.

Safety Precautions

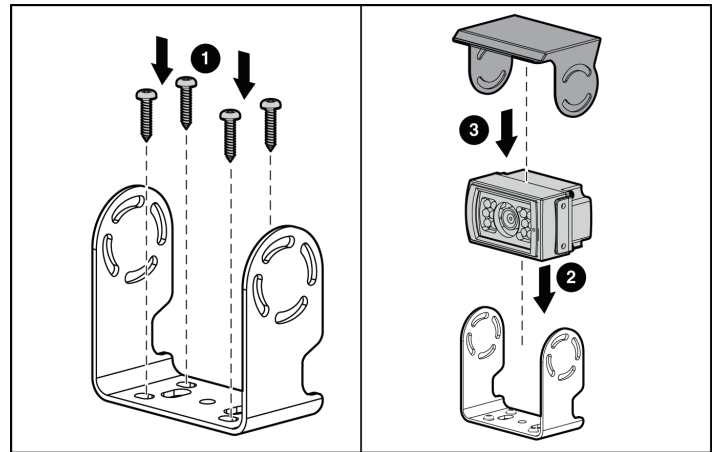
- To reduce the risk of electrical shock, disconnect the battery from the electrical system of the vehicle before starting the installation.
- Before inserting fasteners into the mounting surface, ensure that the underside of the mounting surface is clear of equipment that might be damaged by the screws.

Installation

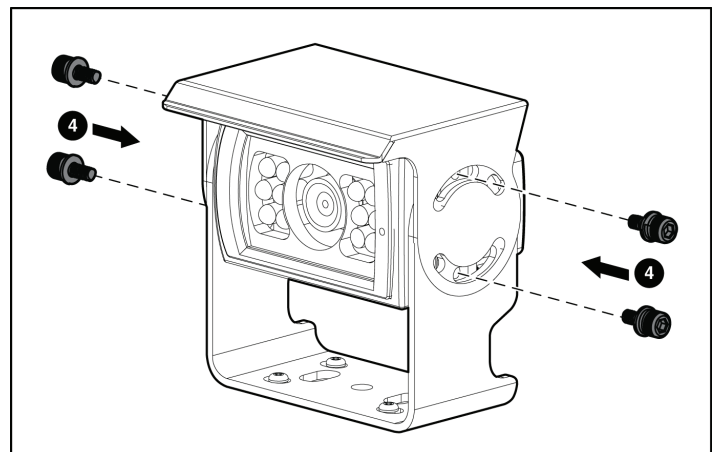
1. Use a flat-head screwdriver to insert the magnetic screw in either the **NOR (Normal)** or **MIR (Mirror)** hole on the rear of the camera housing to specify how the image is displayed on a monitor.

Normal is typically used when the camera is mounted facing forward, and Mirror is typically used when the camera is mounted facing backward.

2. Using the base as a template, tap or otherwise mark four screw holes in the desired mounting location.
3. Drill a 0.875 inch hole near the four marked screw holes to thread the camera cable through.
4. Thread the cable through the drilled hole and use self-tapping screws or rivets to secure the base to the desired mounting location.
5. Connect the cable to an appropriate extension cable, connected to the collision avoidance system control box.
6. Insert the camera, and then the visor, into the camera base and secure them with the four provided screws loosely.
7. Using the collision avoidance system monitor, adjust the camera and visor at an angle that produces the desired image and tighten the four screws securely with a 3 mm hex-head screwdriver.



Base Installation



Camera and Visor Adjustment

Notice to Users: This document is confidential and contains proprietary information belonging to Safety Vision, LLC. This document and the information contained herein cannot be distributed, communicated, reproduced, altered, or disseminated by any means, in whole or in part, without the express written consent of Safety Vision, LLC. Possession of this document constitutes the user's acceptance of these nondisclosure covenants. The information in this document is believed to be accurate in all respects. However, Safety Vision cannot assume responsibility for any consequences resulting from the use thereof. The information contained herein is subject to change without notice. Revisions or new editions to this publication may be issued to incorporate such changes.

500A/620A QUICK INSTALLATION GUIDE

SPECIFICATIONS	
SV-620A (Color) and SV-500A (Black and White) Cameras	
Image Sensor	1/3-inch Interline transfer CCD
Signal Format	NTSC
Lens Focal Length	2.5 mm
Synchronization	Internal
Horizontal Resolution	480 TV lines (color) / 380 TV lines (black and white)
Minimum Illumination	0 Lux
Signal-to-Noise Ratio	> 50 dB (color) > 47 dB (black and white)
Power Requirement	12 VDC
Operating Temperature	-22°F ~ 122°F
Dimensions (w x h x d)	2.7 in. x 1.7 in. x 2.0 in.

Limited Warranty

LIMITED 1-YEAR NEW PRODUCT WARRANTY

Safety Vision, LLC ("SV") makes the following limited warranty, which is effective at the time of the original end-user purchase.

Note - Optional warranty products are available for all SV products and may be purchased at the time of the original end-user purchase or any time during the original Limited 1-Year New Product Warranty period.

SV warrants this product against defects in materials for a period of 1 year after the date of purchase. During this period, SV will repair or replace a defective product or part without charge to the customer. The customer must send the defective product or part to SV or an authorized SV dealer. The customer must pay for all transportation and insurance charges for sending the unit to be repaired. SV's total liability is limited to the original product cost.

Installation Guide

The customer should thoroughly read this guide before operating this product.

Customer's Responsibility

The above warranty is subject to the following conditions:

- Customer must notify SV within 10 days of discovering the defective product or part and provide a description of the defect and complete information about the manner of its discovery.

- All warranty servicing of this product must be performed by SV or an authorized servicing agent.
- Warranty extends only to defects in materials as limited above. Warranty does not extend to any product or part that has been lost or discarded by the customer; to damage to products or parts caused by misuse, accident, improper installation, improper maintenance, or use in violation of instructions furnished with the product; to units that have been altered or modified without authorization of SV; to damage to products or parts thereof that have had the serial number removed, altered, defaced, or rendered illegible; or to any failure of the product to function caused by burglary, fire, flood, war, riot, civil commotion, Acts of God, or any other condition beyond the control of SV.

Obtaining Warranty Service

To obtain warranty service, the customer must contact the SV Service and Warranty Manager at 713.896.6600 or 800.880.8855 to report a defective product. (The customer must report the model number and serial number if available.) The Service and Warranty Manager will assist in troubleshooting the problem and, if necessary, issue a return material authorization (RMA) number. The customer must include this number on the outside of each package shipped to SV.

Packing and Shipping Instructions

When a product requires service, only the affected component must be returned. The customer must use proper packing material to ensure against damage during shipping. Any shipping damage caused by improper packing is not covered under this warranty. In addition, the customer must include a return material authorization (RMA) number on the outside of each package shipped to SV and a letter explaining the defect with the product.

How to Reach Us

If you have exhausted the information in this document yet require further assistance or information, please contact Safety Vision toll-free at 1-800-880-8855 or send an e-mail message requesting assistance to: email@safetyvision.com.