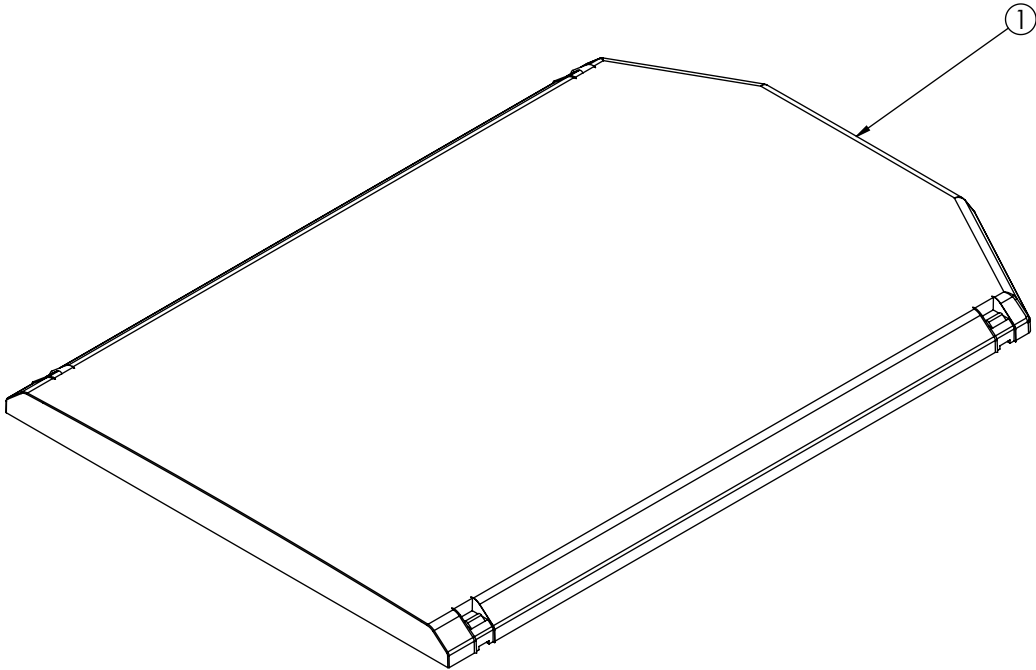


REVISION HISTORY		
REV.	DESCRIPTION	DATE
01	PRELIMINARY RELEASE PER P14011	2016-04-19
A	INITIAL RELEASE PER P14011	2016-09-28



ITEM NO.	QTY.	PART NUMBER	DESCRIPTION	COMMENTS
1	1	250-1014-07	LENS,2100,2700,OB, TOP,BLACK	
2	1	955-0149-00	BOX,PRODUCT,WHITE,14-SERIES,LENS 24X14X4	NOT SHOWN

APPROVALS		DATE
DRAWN BY	ABB	2016-04-19
CHECKED	ABD	2016-04-20
MECH. ENG.		
ELEC. ENG.		
MFG. ENG.	KLR	2016-04-19

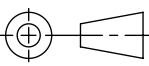


ESG™
ECCO SAFETY GROUP

United States
1-800-635-5900
Americas@eccogroup.com
United Kingdom
+44 (0)113 237 5340
Europe@eccogroup.com
Australia
+61 (0)3 63322444
AsiaPacific@eccogroup.com

21-27 LENS, UPPER, END, BLACK

SCALE 1:3.75
CAD GENERATED DRAWING
DO NOT MANUALLY UPDATE.
MODEL REFERENCED: A



SIZE: A	DWG. NO. 100-EZ2127UBLK	REV. A
Project: P14011		Date Created: 2016-04-19

Electronically Controlled Use Latest Copy

NON DISCLOSURE AGREEMENT
THIS DRAWING AND THE DESIGN IT DISCLOSES ARE THE PRIVATE PROPERTY OF ESG AND IS ISSUED IN CONFIDENCE FOR ENGINEERING INFORMATION ONLY. THE DRAWING AND / OR DESIGN MAY NOT BE USED, COPIED, REPRODUCED, OR OTHERWISE DISCLOSED IN PART OR AS A WHOLE TO OUTSIDERS OR USED FOR ANY OTHER PURPOSE WITHOUT THE PRIOR WRITTEN CONSENT OF ESG. THE DRAWING IS SUBJECT TO RECALL AT ANY TIME. YOUR POSSESSION OF THIS DOCUMENT CONSTITUTES ACCEPTANCE OF THESE TERMS. © 2016 ECCO SAFETY GROUP