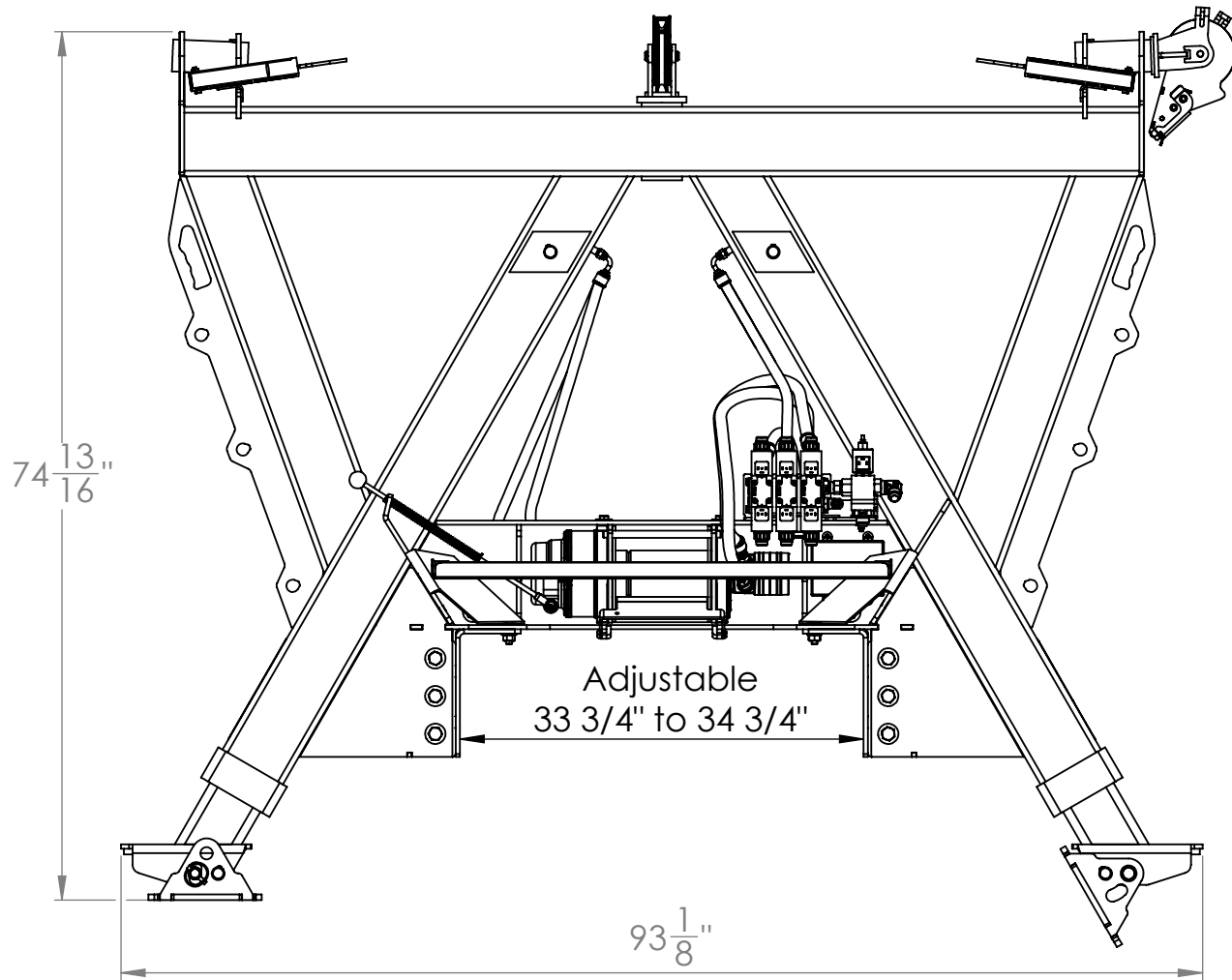
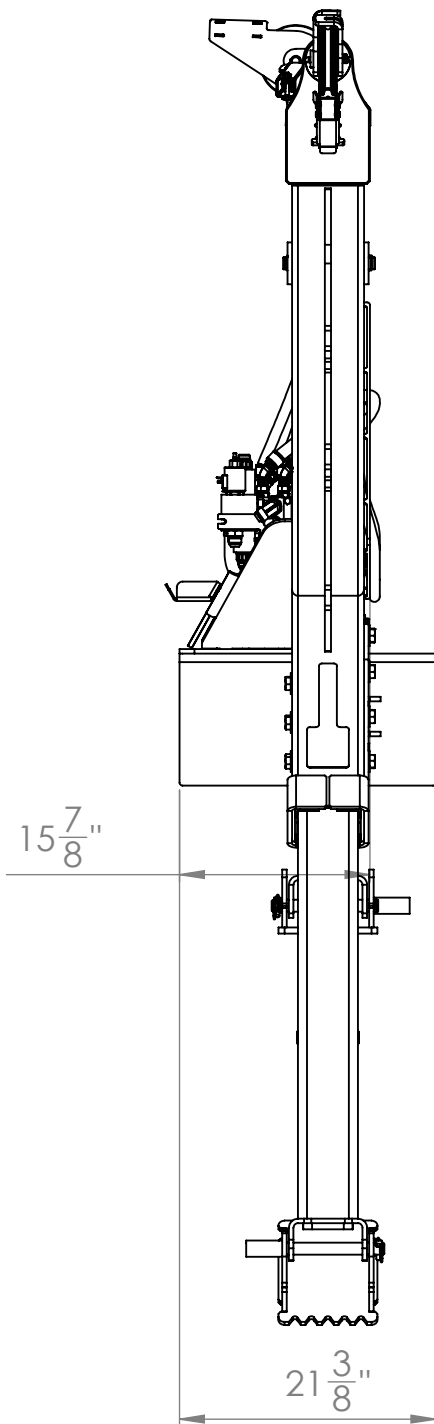


Inventive LLC	
In The Ditch Towing Products	
DESCRIPTION SP12000 With Integrated Controls	
PART NO. ITD4711	
WEIGHT	1319.34 LBS



Inventive LLC	
In The Ditch Towing Products	
DESCRIPTION SP12000 With Integrated Controls	
PART NO. ITD4711	
WEIGHT 1319.34 LBS	