



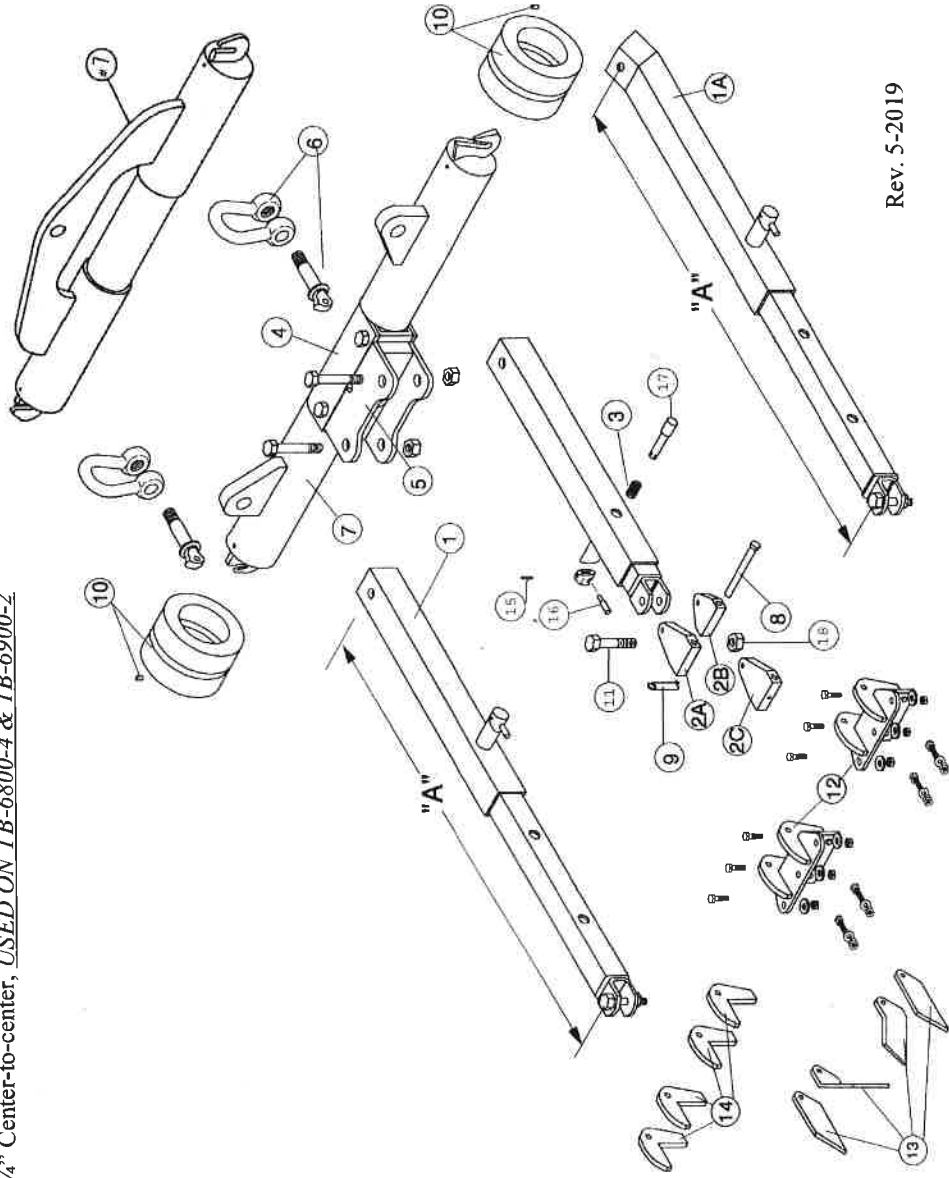
TB-6800/6900 Series Medium Duty Truck Bars

Item #	Part #	Description
1)	TB-6819-3	Arm Assembly Complete
1a)	TS-6415PA	Angled Arm Assembly Complete (passenger side)
	TS-6415DA	Angled Arm Assembly Complete (drivers side, not shown)
2a)	TB-6819-4	XL Arm Assembly Complete (not shown)
2b)	TB-6650	2-Way Hinge w/Offset (3/4" pin, 3/4" bolt, 3 1/4" Center-to-center)
2b)	TB-6650S	2-Way Hinge, (3/4" pin, 3/4" bolt, 1 1/2" Center-to-center) <u>USED ON TB-6800-26</u>
2c)	TB-6660	2-Way Hinge w/Offset (3/4" pin, 3/4" bolt, 3 1/4" Center-to-center) w/grease sert <u>USED ON TB-6900-3</u>
	TS-6497	2-Way Hinge, (3/4" pin, 3/4" bolt, 3 1/4" Center-to-center, 3 3/4" wide) <u>USED ON TB-6800-5</u>
	TS-6486	2-Way Hinge, w/Offset (5/8" pin, 3/4" bolt, 3 1/4" Center-to-center, <u>USED ON TB-6800-4 & TB-6900-2</u>
3)	TS-343	Spring (zp)
4)	TB-6604	Swivel Strap
5)	TB-6809H	Pivot Weldment (w/arm hardware)
6)	X-559	Anchor Shackle, 3/4" (galvanized)
7)	TB-6804	Lower Bar Weldment (w/1/2" G70 Hooks)
	TB-6802	Lower Bar Weldment (w/7/16" G43 Hooks)
	TB-6804SB	Lower Bar Weldment for Single Boom
8)	X-382	3/4"x5 1/2" Clevis Pin (zp)
	X-380	5/8"x5 1/2" Clevis Pin (zp)
9)	X-358	Safety Pin (zp)
10)	TB-1	4 Rubber Ring Kit (4" ID w/Dowel Pins)
	TB-2	2 Rubber Ring Kit (4" ID w/Dowel Pins)
	X-460-1	Single Rubber Ring Only (4" ID X1.25")
11)	X-047	Hex Bolt, 3/4"x3" (zp)
12)	TB-6060-1	Corner Mount Bolt-on Bracket Kit
13)	TB-643	Old-style Weld-on Bracket Kit
14)	TB-6065	Corner Mount Weld-on Bracket Kit
15)	X-409	Roll Pin, 5/32"x 1 1/8" (zp)
16)	TS-6425	1" Camlock Handle
17)	TS-6424	1" Camlock Plunger
18)	X-235	Nylock Nut, 3/4" (zp)

Also Available: TS-6423A 1" Camlock Assembly Complete

and X-460 Single Rubber Ring (6" od X3.5" id X1.25")

Arm Dimension "A"	#1	#1A	TB-6819-4 (not shown)
Short-Locked Position	28.5"	29.5"	32.5"
Mid-Locked Position	35"	38"	38.5"
Full Extension (unlocked)	45"	47"	48.5"



Rev. 5-2019

Diversified Products Mfg.

8330 Atlantic Blvd, Jacksonville FL 32211
800-874-4172, 904-724-0310, Fax 904-724-4494