



TOWING AND RECOVERY LIGHTING SOLUTIONS

HDT
nightscan[®]
by Will-Burt



Will-Burt is the world's leading manufacturer of light towers. A new line of fully integrated mobile lighting towers, the Night Scan® HDT Series, has been designed specifically for the towing and recovery industry.

The Night Scan® HDT Series has been engineered and manufactured in the USA for the harsh environments and extreme conditions experienced by the towing industry. Field proven across the country and around the world, the Night Scan® HDT is ready to become an important tool in the heavy wrecker's arsenal of equipment, improving the safety and efficiency of recovery operations by turning night into day.

THE ADVANTAGE OF THE NIGHT SCAN® HDT SERIES



- Safety of nighttime recovery operations is enhanced with 360° of overhead light...turning night into day!
- Speed of safe recovery operations is increased with lighting that is in place and on in 15 seconds
- Years of service with maintenance-free design
- Fast Return on Investment
 - Increase your Revenue
 - Average charge per hour = \$250
- Record recovery scene events
 - Proof for insurance
 - Accurate billing

- Eliminates the need for a lighting trailer – light is always with the wrecker
 - No generator required and self-contained system
 - Retrofit to existing wrecker or install on a new build with small footprint
 - Easy and fast operation with automatic deployment and stowing
 - LED lights with 10 year warranty
- Night Scan XL 200



CONTENTS

HEAVY WRECKERS

POWERLITE HDT, POWERLITE PROFILER HDT, POWERLITE VERTICAL HDT

4-6



NIGHT SCAN SCOUT FOR MOBILE PLATFORMS

REMOTE CONTROLLED LED SPOT / FLOOD LIGHT

7



ROLLBACKS, TOW & UTILITY TRUCKS

CHIEF HDT, CHIEF PROFILER HDT, CHIEF VERTICAL HDT

8-10

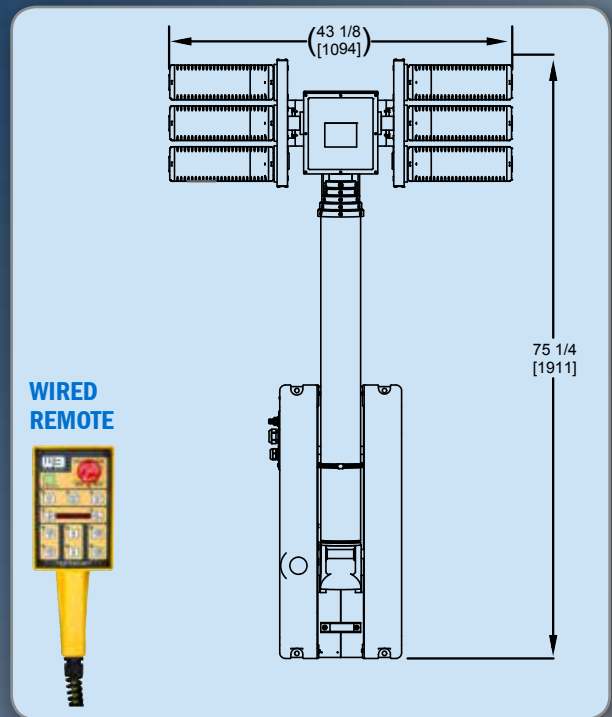


NIGHT SCAN® POWERLITE HDT

ESSENTIAL FEATURES

- Fold-down light tower
- Improves nighttime safety and efficiency
- Increases Revenue
- No generator required, works from vehicle power
- Night Scan XL 200 Spot and Flood LED lights with 10 year warranty generate 120,000 lumens
- Full independent rotation and tilt of both banks of lights - 360° of light
- Rapid recovery scene illumination in 15 seconds with the touch of one button
- Includes everything needed for installation
- For new installs or retrofit
- Optional video and recording

MODEL NUMBER	721560058
Height Extended	15 ft.
6 LED Combination Spot / Flood Lights	120,000 Total Lumens / 10 Year Warranty
Weight	175 lbs.
Footprint of Stowed System	75¼" L x 43⅛" W x 12" H
Tower Warranty	2 Years

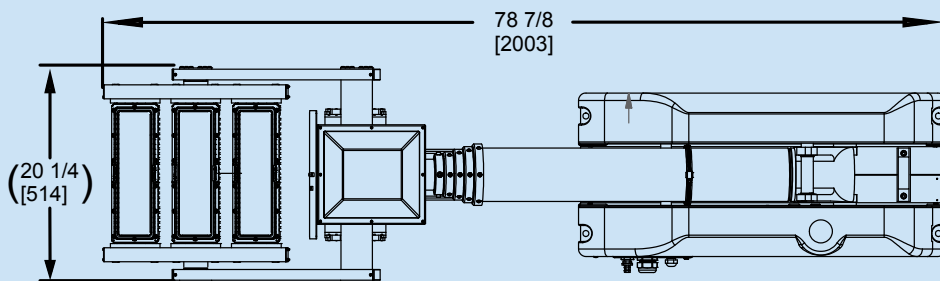


NIGHT SCAN® POWERLITE PROFILER HDT

ESSENTIAL FEATURES

- Narrow Fold-down light tower
- Improves nighttime safety and efficiency
- Increases Revenue
- No generator required, works from vehicle power
- Narrow profile saves space
- Night Scan XL 200 Spot and Flood LED lights with 10 year warranty generate 60,000 lumens
- Full rotation and tilt control of lights
- Rapid recovery scene illumination in 15 seconds with the touch of one button
- Includes everything needed for installation
- For new installs or retrofit
- Optional video and recording

MODEL NUMBER	721560057
Height Extended	12 ft.
3 LED Combination Spot / Flood Lights	60,000 Total Lumens / 10 Year Warranty
Weight	165 lbs.
Footprint of Stowed System	78 7/8" L x 20 1/4" W x 13 1/4" D
Tower Warranty	2 Years



WIRED REMOTE

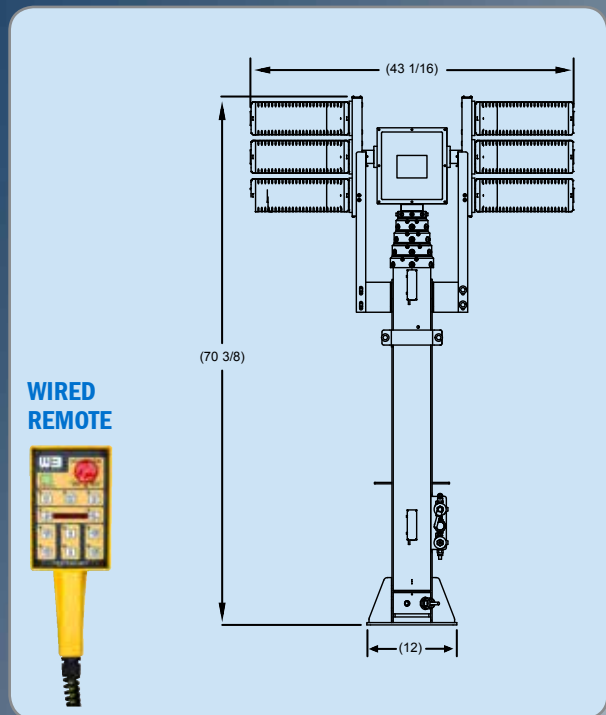


NIGHT SCAN® POWERLITE VERTICAL HDT

ESSENTIAL FEATURES

- Vertical light tower
- Improves nighttime safety and efficiency
- Increases Revenue
- No generator required, works from vehicle power
- Needs only 12" for installation
- Night Scan XL 200 Spot and Flood LED lights with 10 year warranty generate 120,000 lumens
- Full independent rotation and tilt of both banks of lights - 360° of light
- Rapid recovery scene illumination in 15 seconds with the touch of one button
- Includes everything needed for installation
- For new installs or retrofit
- Optional video and recording

MODEL NUMBER	720030025
Height Extended	15 ft.
6 LED Combination Spot / Flood Lights	120,000 Total Lumens / 10 Year Warranty
Weight	170 lbs.
Footprint of Stowed System	70 ³ / ₈ " L x 43 ¹ / ₁₆ " W x 12" D
Tower Warranty	2 Years



NIGHT SCAN® SCOUT nightscan® scout

ESSENTIAL FEATURES

- Direct 40,000 lumens of light exactly where you need it
- Control both rotation and tilt angle of lights
- 2 wireless remote controls - up to 200 ft. range
- Install nearly anywhere
- Fits any size vehicle
- Water-proof / Weather-proof / Dust and Dirt-proof
- 12 volt operation

Remote Controlled LED Spot/Flood Light

Night Scan Scout floods your work site or rescue scene with powerful LED light that lets you get the job done quickly and safely. Scout delivers the flexibility to be mounted almost anywhere on your mobile platform; roof, roll-bar, crane, boom, nearly any solid surface. Scout is a 12 volt system powered directly from your vehicle, no need for an expensive generator. Two long range wireless remote controls are provided with every light system - making single man jobs easier to accomplish. Night Scan Scout is an essential tool for nighttime operations.

Total Lumens	40,000	
Height	10 in. / 254 mm	
Width	20 in. / 508 mm	
Depth	5.5 in. / 140 mm	
Weight	36.5 lb. / 16.5 kg	
Operating Temperature	-20 °C to 50 °C / -4 °F to 122 °F	
IR Rating - Waterproof	Lights: IP69K	Positioner: IP68
Pan Axis (rotation)	360°	
Tilt Axis	180° (±90°)	
Maximum Continuous Power	263 watts	
Maximum Running Current	21.9 amps	
Input Voltage	12 VDC - 24 VDC and AC Options	



NIGHT SCAN® XLS 200 WITH MOUNTING BRACKET



Hardware Included

Model Number	5438901
Combination Flood and Spot Lenses	20,000 Total Lumens / 10 Year Warranty
Voltage	12VDC
Amperage	10 Amps
Wattage	125 Watts



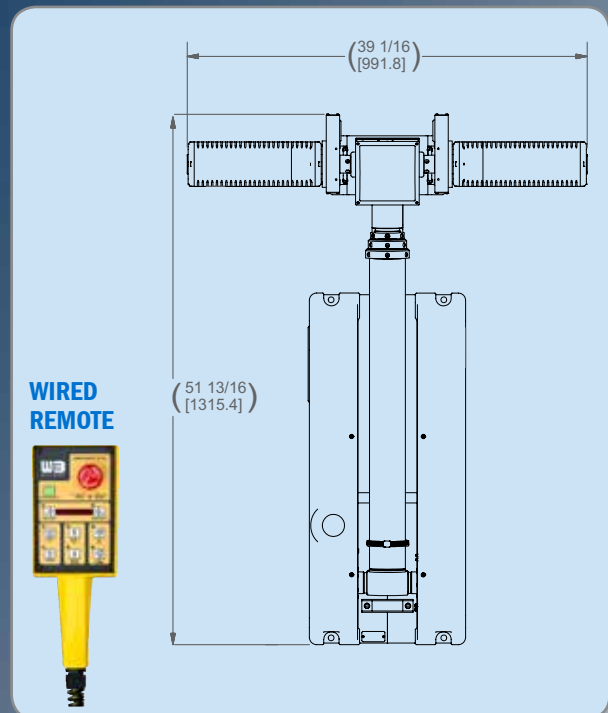
Angle Indicator

NIGHT SCAN® CHIEF HDT

ESSENTIAL FEATURES

- Fold-down light tower
- Improves nighttime safety and efficiency
- Increase Revenue
- No generator required, works from vehicle power
- Built-in compressor – no truck air needed
- Night Scan XL 200 Spot and Flood LED lights with 10 year warranty generate 40,000 lumens
- Full rotation and tilt of both lights
- Rapid recovery scene illumination
- Includes everything needed for installation
- For new installs or retrofit
- Optional video and recording

MODEL NUMBER	720730055
Height Extended	7.5 ft.
2 LED Combination Spot / Flood Lights	40,000 Total Lumens / 10 Year Warranty
Weight	101 lbs.
Footprint of Stowed System	51 ¹³ / ₁₆ " L x 39 ¹ / ₁₆ " W x 9 ³ / ₈ " D
Tower Warranty	2 Years

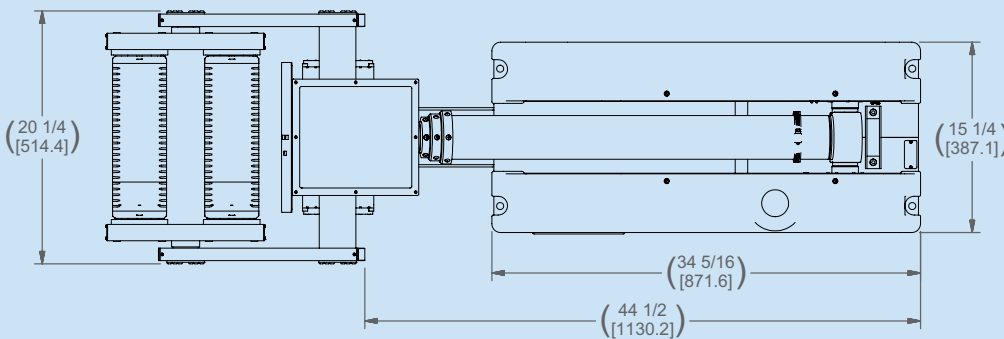


NIGHT SCAN® CHIEF PROFILER HDT

ESSENTIAL FEATURES

- Narrow Fold-down light tower
- Improves nighttime safety and efficiency
- Increases Revenue
- No generator required, works from vehicle power
- Built-in compressor - no truck air needed
- Night Scan XL 200 Spot and Flood LED lights with 10 year warranty generate 40,000 lumens
- Full rotation and tilt control of lights
- Rapid recovery scene illumination
- Includes everything needed for installation
- For new installs or retrofit
- Optional video and recording

MODEL NUMBER	720730060
Height Extended	7.5 ft.
2 LED Combination Spot / Flood Lights	40,000 Total Lumens / 10 Year Warranty
Weight	109.5 lbs.
Footprint of Stowed System	65 $\frac{7}{32}$ " L x 20 $\frac{1}{4}$ " W x 11 $\frac{7}{8}$ " D
Tower Warranty	2 Years



WIRED REMOTE

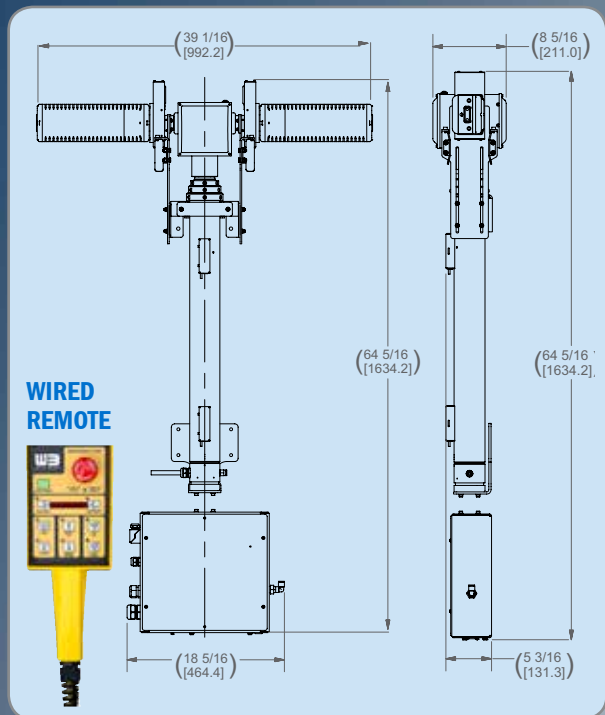


NIGHT SCAN® CHIEF VERTICAL HDT

ESSENTIAL FEATURES

- Narrow Fold-down light tower
- Improves nighttime safety and efficiency
- Increase Revenue
- No generator required, works from vehicle power
- Built-in compressor - no truck air needed
- Night Scan XL 200 Spot and Flood LED lights with 10 year warranty generate 40,000 lumens
- Full rotation and tilt of both lights
- Rapid recovery scene illumination
- Includes everything needed for installation
- For new installs or retrofit
- Optional video and recording

MODEL NUMBER	720088080
Height Extended	7.5 ft.
2 LED Combination Spot / Flood Lights	40,000 Total Lumens / 10 Year Warranty
Weight	77.5 lbs.
Footprint of Stowed System	64 ⁵ / ₁₆ " L x 39 ¹ / ₁₆ " W x 8 ⁵ / ₁₆ " D
Tower Warranty	2 Years



SCENE VIDEO AND RECORDING

Night Scan HDT provides the perfect birds-eye view for observing and recording recovery operations. A video camera combined with a digital video recorder provides indisputable evidence when dealing with insurance and billing issues. Also great for training and keeping track of your crew. Three packages deliver the value and features to fit your needs.



Fixed Lens Camera + LCD Monitor DVR Combo

Camera is mounted to light bar and moves with positioning of lights

2.8 mm lens with infrared LEDs for better night time viewing
700 TVL resolution



7" LCD Digital Quad View Color Monitor with Built-In DVR - 4 GB SD card (accepts up to 32 GB)



High Definition PTZ Camera + Controller + HD Monitor DVR Combo

Camera is mounted on top of light tower. Control camera movement and focus with controller

20x High Definition - optical zoom lens with infrared LEDs for better night time viewing, Image stabilization, Up to 1080p resolution



10" High Definition Monitor with Built-In DVR. 20+ hours recording time



High Definition PTZ Camera + Controller + HD Monitor + DVR with Cellular Communication

Camera is mounted on top of light tower. Control camera movement and focus with controller

30x High Definition optical zoom lens with infrared LEDs for better night time viewing, Image stabilization, Up to 1080p resolution



10" High Definition Monitor



Multi-channel DVR - 2 TB Hard Drive, WiFi, GPS, 4G AT&T Communications, Up to 1080p resolution



CONTACT YOUR SALES REPRESENTATIVE TODAY

The Will-Burt Company (www.willburt.com), located in Orrville, Ohio, USA, is the world's premier manufacturer of mobile telescoping masts, towers and pan and tilt positioners. We offer virtually every payload elevation and integration solution from the top brands; Will-Burt, GEROH, Integrated Tower Solutions (ITS) and MAD – for military, first responders, cellular, broadcast, entertainment and other applications. Will-Burt designs and manufactures shelters made of all-composite materials that deliver higher performance at lower life cycle cost than metal or partial composite shelters. Will-Burt's LINX security solutions provide integrated access control and intrusion detection certified to protect critical assets. Will-Burt offers a variety of metal fabrication and manufacturing services backed by a certified ISO 9001:2008 Quality Management System and ISO 14001:2004 Environmental Management System. Incorporated in 1918, Will-Burt is 100% employee-owned and is classified as a small business.



www.willburt.com

UNITED STATES WORLD HEADQUARTERS

169 S. Main St.,
Orrville, Ohio USA 44667
Telephone: 330.682.7015
Mast Customer Service: 330.684.4000
Fax: 330.684.1190
Email: contact_us@willburt.com

INTEGRATED TOWER SYSTEMS

2703 Dawson Road,
Tulsa, OK 74110
Telephone: 800.850.8535
Fax: 918.749.8537
Email: programs@itstowers.com

EUROPE GEROH

A Will-Burt Company
Fischergasse 25
91344 Waischenfeld, Germany
Telephone: +49-9202-18-0
Fax: +49-9202-18-11
Email: info@geroh.com

UNITED KINGDOM MAD

Unit 5, Station Approach
Four Marks, Alton Hampshire,
GU34 5HN, United Kingdom
Telephone: +44 (0) 1420 565618
Fax: +44 (0) 1420 565628
Email: info@madcctv.com

UK SALES OFFICE

Unit 5b, Station Approach
Four Marks, Alton Hampshire,
GU34 5HN, United Kingdom
Telephone: +44 (0) 1403 265532
Fax: +44 (0) 1403 259072

ASIA SINGAPORE SALES OFFICE

1 Fullerton Road,
#02-01 One Fullerton,
Singapore 049213
Telephone: +65 6832 5689
Fax: +65 6722 0664