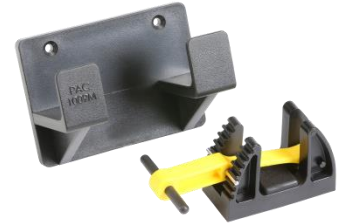




PRODUCT DATA SHEET

P/N: **K5009**

TOOL HANGER KIT



The Tool Hanger Kit provides a secure locating solution for hanging tools and equipment. Hanging and Positive locking brackets allow fast, easy storage and retrieval.

TYPICAL SPECIFICATION

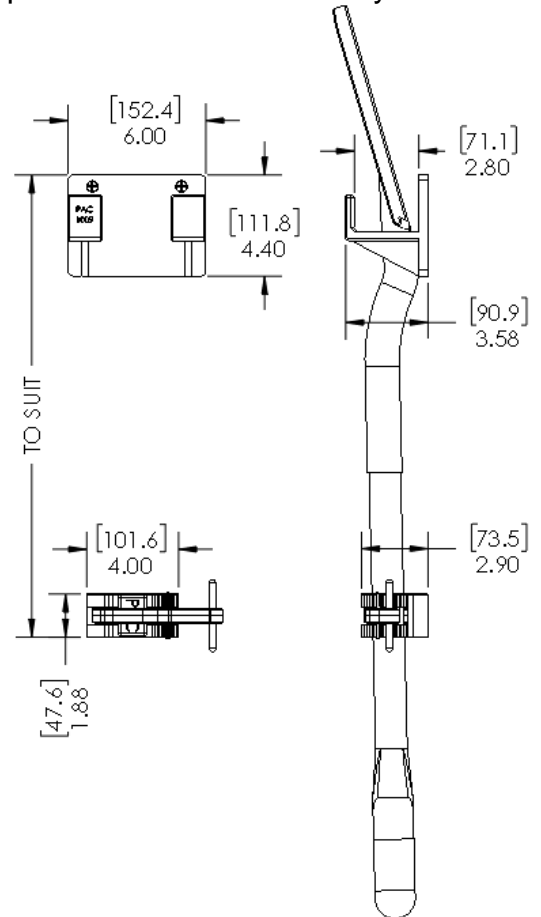
Mounting bracket kit PAC PN K5009 shall include a hanger bracket and a strap bracket to locate and secure many hanging tools. Components shall be made from tough, corrosion free material. Hardware shall be stainless steel. Users shall be protected from conductivity.

FEATURES

- Heavy duty construction
- Flexible mounting positions
- Mounts hanging handled tools
- Weather, UV resistant
- Non-conductive
- Includes Stainless Steel fasteners
- Mounts to PAC tool boards and other flat surfaces

SPECIFICATIONS

P/N	WT.	MAX LOAD	GRIP RANGE	FLAME TOXICITY CHEMICAL
1010-12	.8lbs	N/A	UP TO 2-7/8" D	GOOD
1004	.4lbs	N/A	3/8"-1-3/4"	GOOD



Performance Advantage Company

Lancaster, New York

www.pactoolmounts.com

888-514-0083

REFERENCE	QTY	REMARKS	PROJECT
			LOCATION
			BUYER
			DEALER
			BUILDER
			SUBMITTED BY:
			DATE:



The **TOOL HANGER** is designed to be a simple hanger bracket for shovels, brooms, and many other T-shaped equipment. Tool Hangers work best when combined with Handlelok brackets – included in the Tool Hanger Kit (P/N K5009).

- Rugged injection molded components made from high quality materials
- Weather, UV resistant
- Non-conductive

