



**PRODUCT DATA SHEET**

P/N: **1044-2 and 1044-3**  
**3.5" CYLINDER POCKET**



The 3-1/2" Cylinder Pocket is a simple storage mount providing a drop-in pocket for many cylindrical items such as 1 quart metal fuel cans or extinguishers.

**TYPICAL SPECIFICATION**

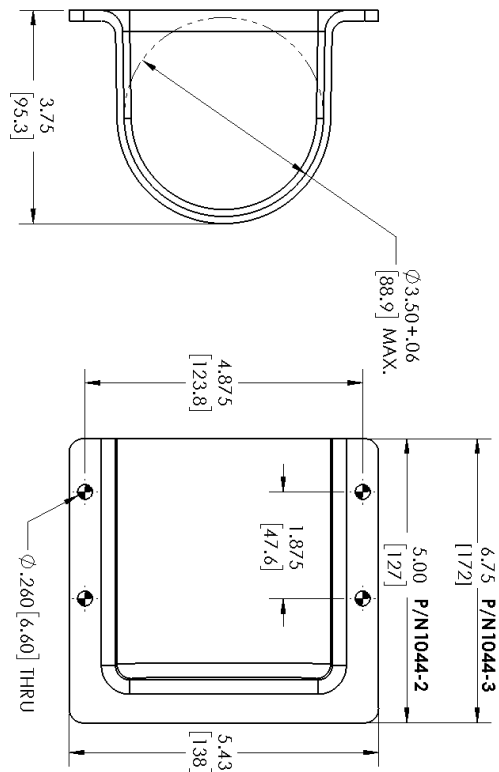
Locating bracket shall be PAC P/N 1044-2 (MED HEIGHT) or PAC P/N 1044-3 (TALL HEIGHT). Bracket shall be made from tough, corrosion free material. Hardware shall be stainless steel. Design cylindrical mounting applications. Users shall be protected from conductivity.

**FEATURES**

- Heavy duty construction.
- Made from high quality material.
- Weather, UV, chemical resistant.
- Non-conductive
- Stainless Steel Fasteners provided
- Mounts to PAC tool boards and other flat surfaces

**SPECIFICATIONS**

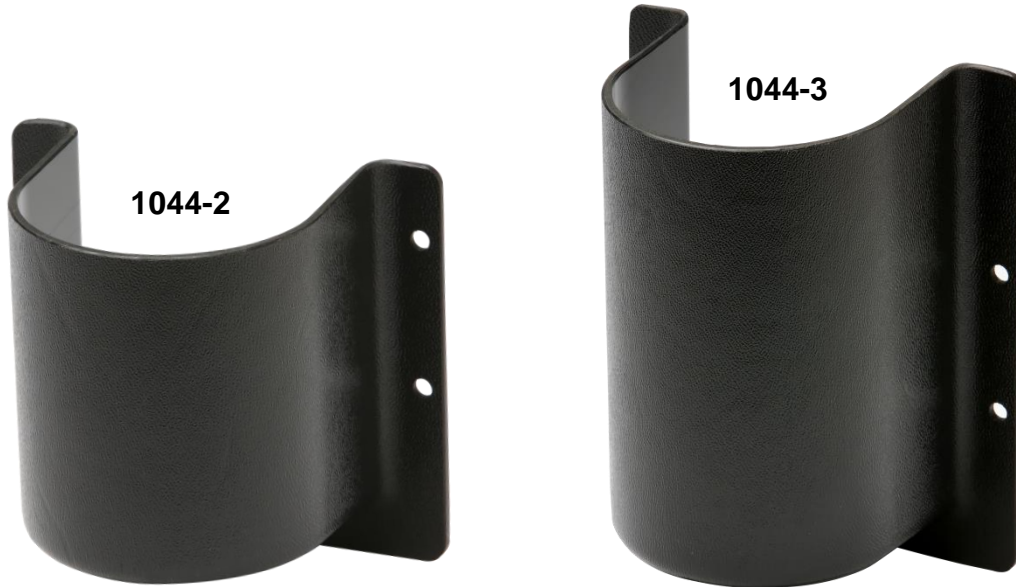
P/N	WT.	MAX LOAD	GRIP RANGE	FLAME TOXICITY CHEMICAL
1044-2	.5lbs	N/A	N/A	GOOD
1044-3	.6lbs	N/A	N/A	GOOD



Dimensions (1044-2): 5.4" L x 3.75" W x 5" H  
(1044-3): 3.4" L x 3.75" W x 6.75" H

Performance Advantage Company Lancaster, New York www.pactoolmounts.com 888-514-0083

REFERENCE	QTY	REMARKS	PROJECT
			LOCATION
			BUYER
			DEALER
			BUILDER
			SUBMITTED BY: DATE:



The cost effective 3-1/2" Pocket Mount is a versatile and easy to use product. It provides a supporting mount for a wide variety of tools and equipment.

- Designed for 1 quart fuel cans.
- Made from high quality materials
- Weather, UV resistant, chemical resistant.
- Non-conductive

