

# PRODUCT DATA SHEET

## P/N: 1101 MINI LOK (Small)



### FEATURES

\*SOLD IN PAIRS\*

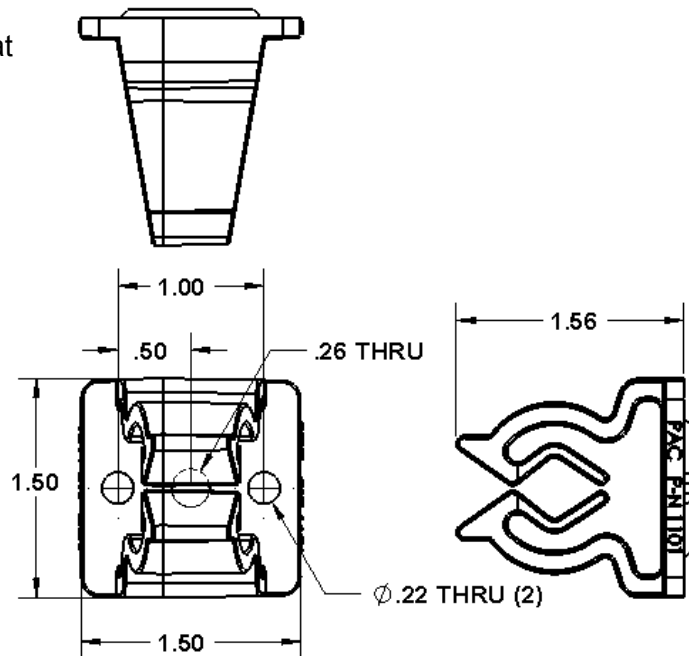
- Rugged injection molded components made from high quality materials
- Weather, UV resistant
- Non-conductive
- Can be mounted horizontally or vertically
- Stainless Steel Fasteners provided
- Mounts to PAC tool boards, PAC Strut and other flat surfaces.

### TYPICAL SPECIFICATION

Mounting Bracket shall be PAC PN 1101.

Bracket shall be single piece construction; made from tough, corrosion free material. Hardware shall be stainless steel.

Firefighters shall be protected from conductivity.



### SPECIFICATIONS

P/N	WT.	MAX LOAD	GRIP RANGE	HANGER RANGE	FLAME TOXICITY CHEMICAL
1101	.7 OZ EA.	N/A	.375" - .75"		N/A

Dimensions: 1.5" x 1.5" x 1.56"

Performance Advantage Company

Lancaster, New York

[www.pactoolmounts.com](http://www.pactoolmounts.com)

888-514-0083

REFERENCE	QTY	REMARKS	PROJECT
			LOCATION
			BUYER
			DEALER
			BUILDER
			SUBMITTED BY:
			DATE:



**SOLD IN PAIRS – The MINI LOK BRACKET is a versatile and easy to use friction lock product providing secure mounting for small tools and equipment.**

- Perfect for flashlights, rods, cords, and small hand tools
- Works great with PAC Strut
- Rugged injection molded components made from high quality materials
- Weather, UV resistant
- Non-conductive
- Can be mounted horizontally or vertically

