

PRODUCT DATA SHEET

P/N: **1048-2**

POLE GUIDE MOUNT



The Pole Guide Mount is designed to mount poles and long handled tools when paired with other PAC brackets such as the Handle Lok, Stow-N-Lok, and Flex Mount HD.

TYPICAL SPECIFICATION

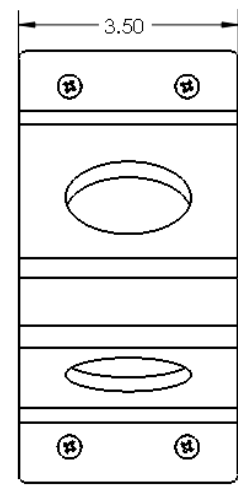
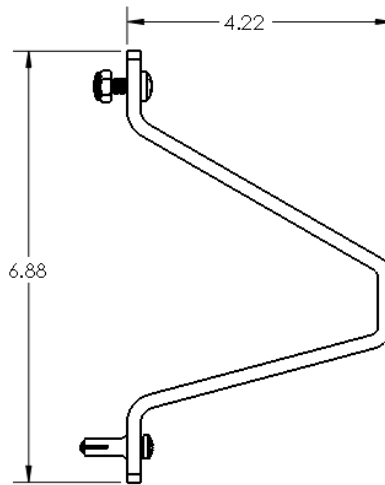
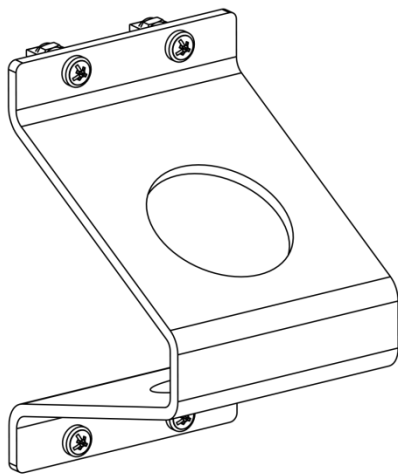
Mounting Bracket shall be PAC PN 1048-1.

Bracket shall be single piece construction; made from tough, corrosion free material.

Firefighters shall be protected from conductivity.

FEATURES

- Molded from high quality materials
- Weather, UV resistant.
- Impact resistant
- Non-conductive



SPECIFICATIONS

P/N	WT.	MAX LOAD	GRIP RANGE	HANGER RANGE	FLAME TOXICITY CHEMICAL
1048-2	.3lbs	N/A	N/A	N/A	N/A

Performance Advantage Company

Lancaster, New York

www.pactoolmounts.com

888-514-0083

REFERENCE	QTY	REMARKS	PROJECT
			LOCATION
			BUYER
			DEALER
			BUILDER
			SUBMITTED BY:
			DATE:



The Pole Rest Mount is designed to mount poles and long handled tools when paired with other PAC brackets such as the Handle Lok, Stow-N-Lok, and Flex Mount HD.

- Molded from high quality materials
- Weather, UV resistant.
- Impact resistant
- Non-conductive

