



PRODUCT DATA SHEET

**P/N: K5010-12
8-12# SLEDGE
HANGER POCKET KIT**



The 8-12 lb Sledge Hanger/Pocket Kit provides a secure locating solution for 8lb- 12lb sledge hammers. Pocket and Positive locking brackets allow fast, easy storage and retrieval.

FEATURES

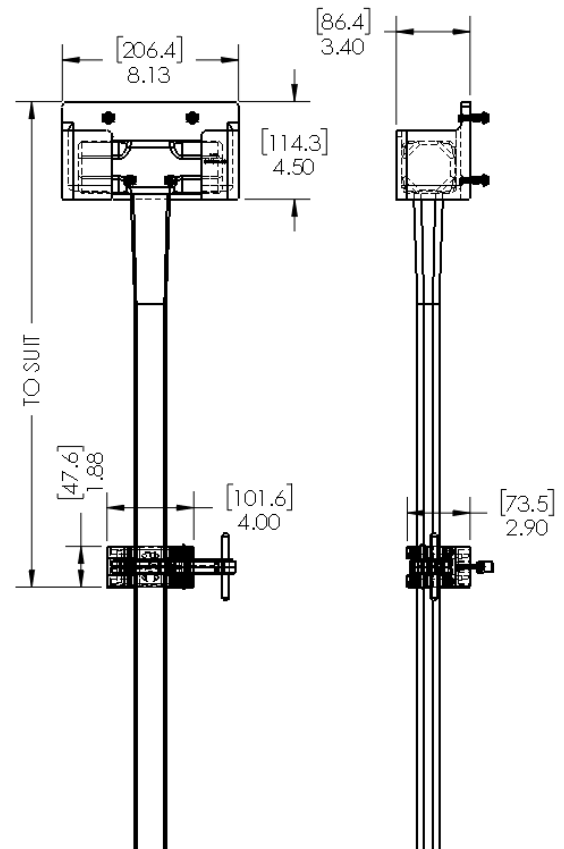
- Heavy duty construction
- Flexible mounting positions
- Mounts most sledge hammers
- Weather, UV resistant
- Non-conductive
- Includes Stainless Steel fasteners
- Mounts to PAC tool boards and other flat surfaces

TYPICAL SPECIFICATION

Mounting bracket kit PAC PN K5010-12 shall include a hanger/pocket bracket and a strap bracket to locate and secure most sledge hammers. Components shall be made from tough, corrosion free material. Hardware shall be stainless steel. Users shall be protected from conductivity.

SPECIFICATIONS

P/N	WT.	MAX LOAD	GRIP RANGE	FLAME TOXICITY CHEMICAL
1010-12	1.1lbs	N/A	UP TO 7-5/8" W	GOOD
1004	.4lbs	N/A	3/8"-1-3/4"	GOOD



Performance Advantage Company

Lancaster, New York

www.pactoolmounts.com

888-514-0083

REFERENCE	QTY	REMARKS	PROJECT
			LOCATION
			BUYER
			DEALER
			BUILDER
			SUBMITTED BY:
			DATE:



The Sledge Hanger/Pocket Kit is designed to hold a 8-12lb. sledge hammer, hanging OR supported as a pocket. The Sledge Hanger Kit includes both the Sledge Hanger Pocket bracket (P/N 1010-12) and the Handlelok bracket (P/N 1004).

- Molded from high quality materials
- Easy to use
- Weather, UV resistant
- Non-conductive
- Mounts several ways

