



**PRODUCT DATA SHEET**

P/N: **1028**  
**GM HOOK**



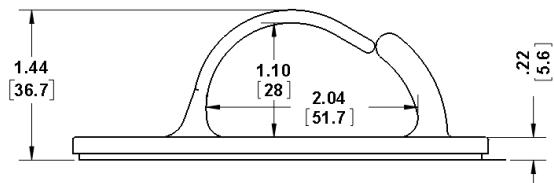
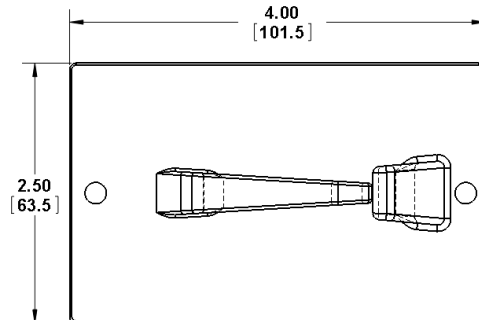
The GM Hook is a quick and secure way to mount or hang lightweight equipment which have a latch, hook or loop for mounting. Ideal for keys, helmets, masks and much more.

**FEATURES**

- Integrated latch to retain item
- Molded from high strength material
- Multiple uses
- Attaches with permanent double sided tape
- No drilling required
- No mounting hardware needed
- Double Sided Tape provided
- Mounts to flat surfaces
- Available in Black or Green base colors

**TYPICAL SPECIFICATION**

Mounting Bracket shall be PAC PN 1028.  
Bracket shall be single piece construction; made from tough, corrosion free material. Attachment to be double sided high strength tape.  
Firefighters shall be protected from conductivity.



**SPECIFICATIONS**

P/N	WT.	MAX LOAD	GRIP RANGE	HANGER RANGE	FLAME TOXICITY CHEMICAL
1028	.1lbs	N/A	N/A	HOOKS OR STRAPS	N/A

Performance Advantage Company Lancaster, New York

[www.pactoolmounts.com](http://www.pactoolmounts.com)

888-514-0083

REFERENCE	QTY	REMARKS	PROJECT
			LOCATION
			BUYER
			DEALER
			BUILDER
			SUBMITTED BY:
			DATE:



**The GM Hook is a quick and secure way to mount or hang lightweight equipment which have a latch, hook or loop for mounting. Ideal for keys, helmets, masks and much more.**

- Integrated latch to retain item
- Multiple uses
- Attaches with permanent double sided tape
- No drilling required
- No mounting hardware needed
- Double Sided Tape provided
- Mounts to flat surfaces
- Available in Black or Green base colors