

# CENTURY®

LEGENDARY LEADERSHIP



## OWNER'S MANUAL

# 15 SERIES ALUMINUM & STEEL CARRIERS

## INSTALLATION, OPERATION, MAINTENANCE & PARTS

**NOTE: MANUAL including SPECIFICATIONS, subject to change without notice**  
All ratings specified are based on structural factors only,  
not vehicle capacities or capabilities.

## CENTURY®

Miller Industries Towing Equipment Inc.  
8503 Hilltop Drive  
Ooltewah, Tennessee 37363

FORM NO. 0500840  
02 / 02

Phone (423) 238-4171 • FAX (423) 238-5371

PRICE \$25.00

## LIMITED WARRANTY

CENTURY warrants to the original purchaser that each new CENTURY Carrier will be free from defects in material and workmanship for a period of one (1) year from the date of purchase. The purchaser must promptly notify CENTURY in writing of any failure in material or workmanship. In no event shall such notification be received by CENTURY later than thirteen (13) months from date of delivery.

The obligation under this warranty, statutory or otherwise, is limited to the repair or replacement at our factory, or at a point designated by us, of such part or parts as shall appear to us upon inspection to be defective in material or workmanship. New or remanufactured parts will be used for any replacement.

This warranty does not obligate CENTURY to bear the cost of labor or transportation charges in connection with the replacement or repair of any parts found to be defective, nor shall it apply to a product upon which repairs or alterations have been made unless authorized by us.

CENTURY shall in no event be liable for any incidental or consequential damages or contingent arising out of the failure of any parts or products to operate properly. NO IMPLIED, EXPRESS, OR STATUTORY WARRANTY OTHER THAN STATED HEREIN IS MADE OR AUTHORIZED TO BE MADE BY OR FOR US, INCLUDING, BUT NOT LIMITED TO, THE IMPLIED WARRANTIES OF MERCHANTABILITY AND FITNESS FOR A PARTICULAR PURPOSE.

CENTURY makes no warranty, express or implied, as to finished products manufactured or supplied by another manufacturer or supplier by CENTURY to purchaser, including, but not limited to, any vehicle to which a CENTURY product may be affixed or accessories or wire rope (cable), and expressly disclaims any implied warranties of merchantability or fitness for a particular purpose as to such equipment or products. This language shall in no way affect or diminish the rights of purchaser to rely on such warranties as are extended by such manufacturers or suppliers.

CENTURY, whose policy is one of continuous improvement, reserves the right to improve its product through changes in design or materials as it may deem desirable without being obligated to incorporate such changes in products of prior manufacture.

IT IS EXPRESSLY UNDERSTOOD THAT THERE IS NO IMPLIED WARRANTY THAT CENTURY CARRIERS SHALL BE FIT FOR THE PURPOSE OF LIFTING OR MOVING PERSONS OR OTHER IMPROPER USE. THIS WARRANTY IS NOT TRANSFERABLE.

**CENTURY®**

Miller Industries Towing Equipment Inc.

8503 Hilltop Drive

Ooltewah, Tennessee 37363

Telephone (423) 238-4171

**SERIAL NUMBER**

## Section VI - PARTS

This Section is provided by the manufacturer for the purpose of ordering any component part of the **15 Series Carrier** that may be required when part replacement is necessary. Be certain to use only original equipment replacement parts for warranty purposes as well as for keeping your **15 Series Carrier** in its original state and optimum operating capacities.

When ordering replacement or spare parts be sure to provide the following information to the manufacturer's **Parts Department**.

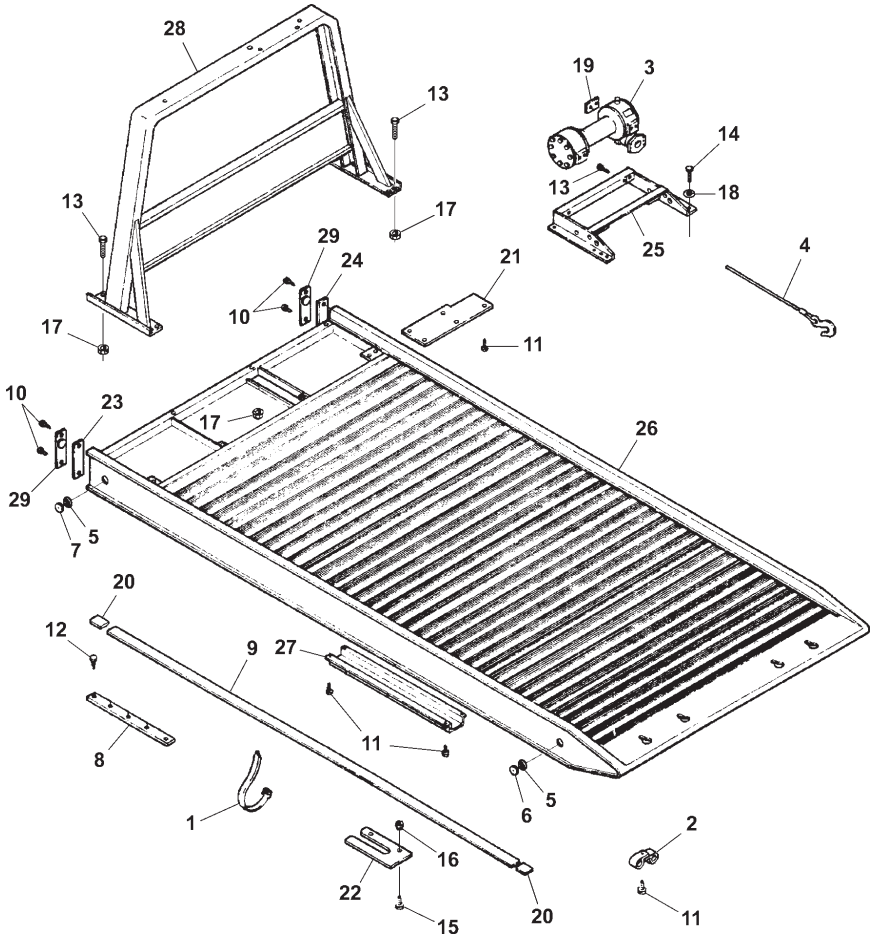
1. **Manual Number & Date of Publication**
2. **Manual Page Number**
3. **Page Title**
4. **Reference Number of Part Desired**
5. **Part Number**
6. **Part Description**
7. **Quantity of Part Desired**

Providing this information will help ensure that the correct parts will be delivered to you in an expedient manner without delay. Should additional information be required for repair or replacement of certain components, contact your Wrecker Manufacturer Authorized Representative.

The Manufacturer reserves the right, without notice or obligation, to improve or modify their products, which may change the specifications, models and feature availability.

# Section VI - PARTS (cont'd)

## ALUMINUM BED ASSEMBLY



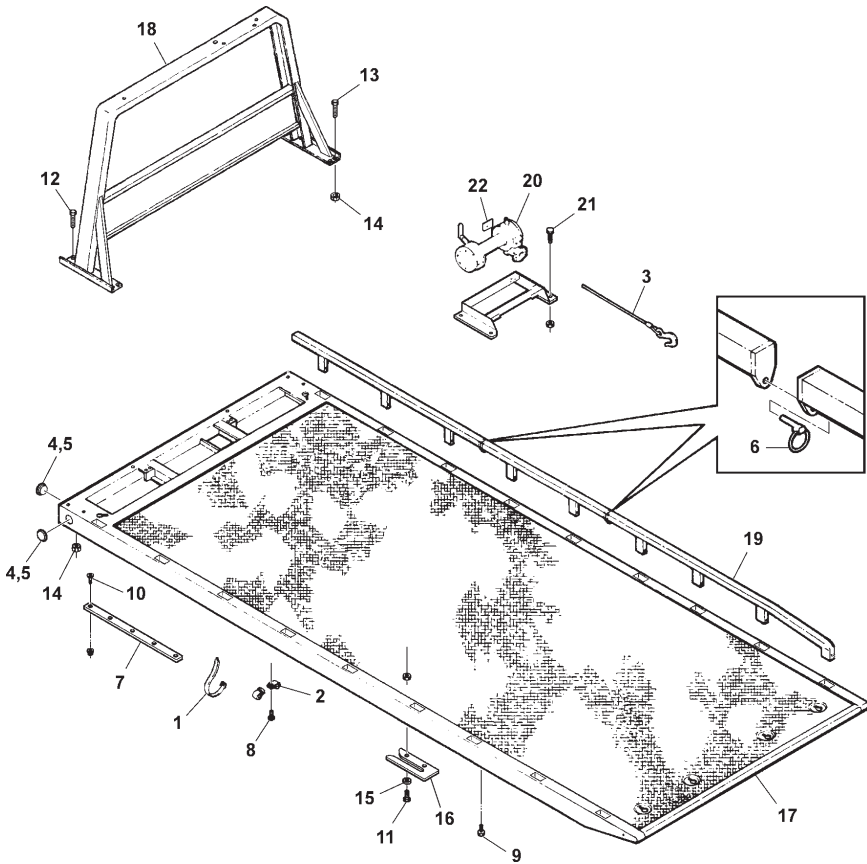
## Section VI - PARTS (cont'd)

### ALUMINUM BED ASSEMBLY

REF. NO.	NO. REQ'D	PART NUMBER	DESCRIPTION
1	8	0300132	WIRE TIE
2	14	0300134	HOSE CLAMP
3	1	0300250	4 TON WINCH ASSEMBLY (STD)
		0303273	4 TON PLANETARY WINCH ASSEMBLY (OPT)
4	1	0301669	CABLE ASSEMBLY
5	2	0301740	GROMMET, MARKER LIGHT
6	2	0301741	SEALED LAMP (RED)
7	2	0301742	SEALED LAMP (AMBER)
8	2	0302180	BEARING PAD (SPECIFY BODY LENGTH)
9	2	0306009	BEARING PAD, 60"
10	4	0400044	DRIVE SCREW
11	15	0400077	SCREW, 1/4" X 1" SELF DRILLING
12	8	0400088	SCREW, 1/4"-20 X 5/8" STAINLESS
13	6	0400177	SCREW, 1/2"-13 X 1-1/4" HEX HD CAP
14	4	0400181	SCREW, 1/2"-13 X 1-1/2" HEX HD CAP
15	2	0400213	SCREW, 3/8"-16 X 1-1/2" HEX HD CAP
16	3	0400392	NUT, 3/8"-16 HEX NYLOK
17	10	0400408	NUT, 1/2"-13 HEX NYLOK
18	4	0400492	WASHER, 1/2" FLAT
19	2	0701172	SPACER, WINCH BRACKET
20	4	0702517	BEARING PAD STOP BAR
21	1	0703203	COVER PLATE
22	1	0708913	ANTI-TILT PLATE
23	1	0710822L	MARKER LIGHT CASTING, LEFT
	1	0710822R	MARKER LIGHT CASTING, RIGHT
24	1	0801482	WINCH MOUNTING BRACKET (STD WINCH)
		0805215	WINCH MOUNTING BRACKET (OPT WINCH)
25	1	0806257	CARRIER BED (19' ALUMINUM)
	1	0806437	R/R CARRIER BED (19' ALUMINUM)
26	1	0720283	HOSE TRAY (19' CARRIER)
		0709851	HOSE TRAY (20' CARRIER)
		0710777	HOSE TRAY (21' CARRIER)
27	1	0805178	CAB PROTECTOR WELDMENT (42" HIGH)
		0805179	CAB PROTECTOR WELDMENT (45" HIGH)
		0805180	CAB PROTECTOR WELDMENT (48" HIGH)
		0805181	CAB PROTECTOR WELDMENT (52" HIGH)
		0805182	CAB PROTECTOR WELDMENT (54" HIGH)
28	2	LT0118	FRONT MARKER LIGHT (AMBER)

# Section VI - PARTS (cont'd)

## STEEL BED ASSEMBLY



## Section VI - PARTS (cont'd)

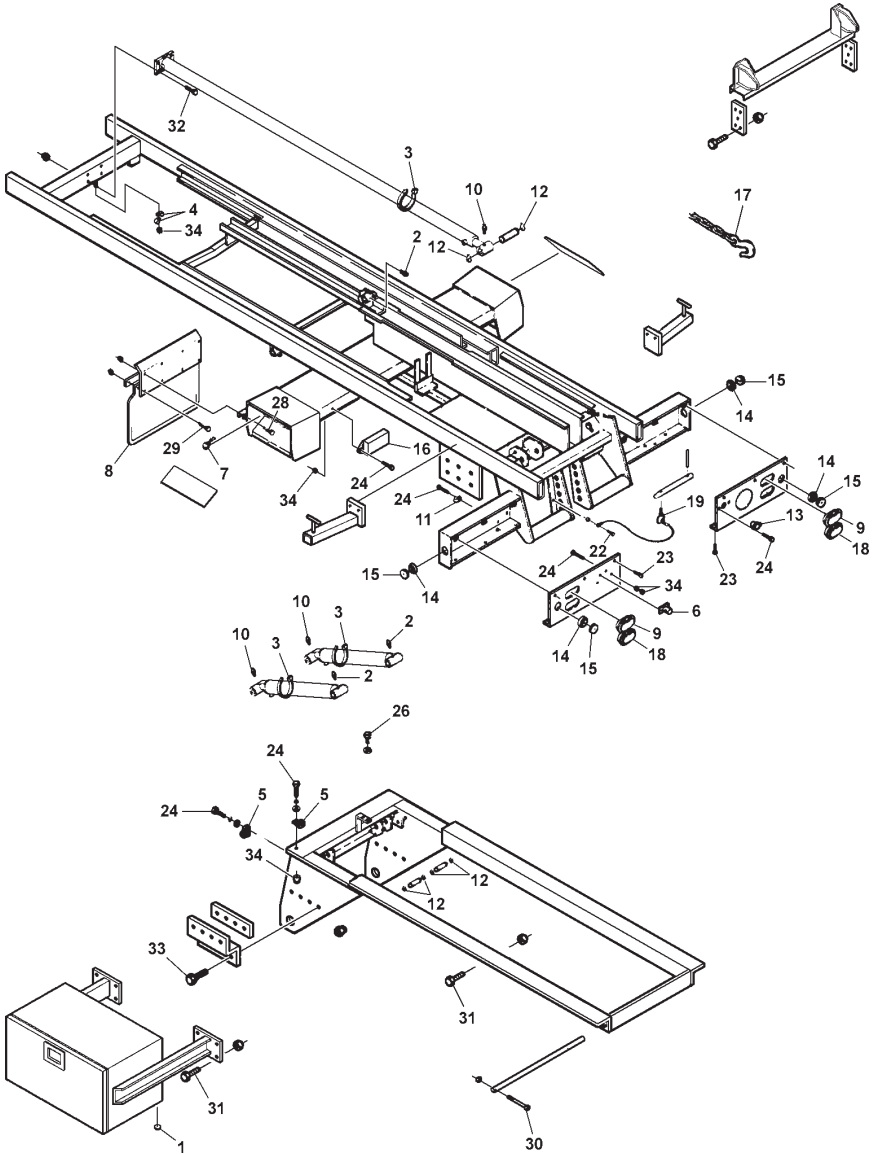
### STEEL BED ASSEMBLY

REF. NO.	NO. REQ'D	PART NUMBER	DESCRIPTION
1	8	0300132	WIRE TIE
2	2	0300134	HOSE CLAMP
3	1	0301669	CABLE ASSEMBLY
4	2	0301740	GROMMET, MARKER LIGHT
5	2	0301742	SEALED LAMP (AMBER)
6	4	0301861	LYNCH PIN
7	12	0306007	BEARING PAD, 54" NYLATRON G.S.
8	13	0400077	SCREW, 1/4" X 1" SELF DRILLING
9	6	0400085	SCREW, 1/4"-20 X 1" FL PHIL HD TYPE F
10	10	0400086	SCREW, 1/4"-20 X 1-1/4" FL HD SKT CPS
11	2	0400122	SCREW, 3/8"-16 X 1-1/2" HEX HD CAP
12	2	0400177	SCREW, 1/2"-13 X 1-1/4" HEX HD CAP
13	4	0400211	SCREW, 1/2"-13 X 1-3/4" HEX HD CAP
14	10	0400408	NUT, 1/2"-13 HEX NYLOK
15	2	0400480	WASHER, 3/8" FLAT
16	1	0708913	ANTI-TILT PLATE
17	1	0806185	CARRIER BED WELDMENT (22' STEEL)
18	1	0805178	CAB PROTECTOR WELDMENT (42" HIGH)
		0805179	CAB PROTECTOR WELDMENT (45" HIGH)
		0805180	CAB PROTECTOR WELDMENT (48" HIGH)
		0805181	CAB PROTECTOR WELDMENT (52" HIGH)
		0805182	CAB PROTECTOR WELDMENT (54" HIGH)
19	--	0905153	3 PIECE SIDE RAIL KIT
--	2	0805103	FRONT SIDE RAIL
--	2	0805039	CENTER SIDE RAIL
--	2	0802662	REAR SIDE RAIL
--	--	0900736	WINCH ASSEMBLY (COMPLETE)
20	1	0300250	WINCH
21	4	0400177	SCREW, 1/2"-13 X 1-1/4" HEX HD CAP
22	2	0701172	SPACER, WINCH BRACKET

# Section VI - PARTS (cont'd)

## FRAME ASSEMBLY

(Continued on page VI-10)





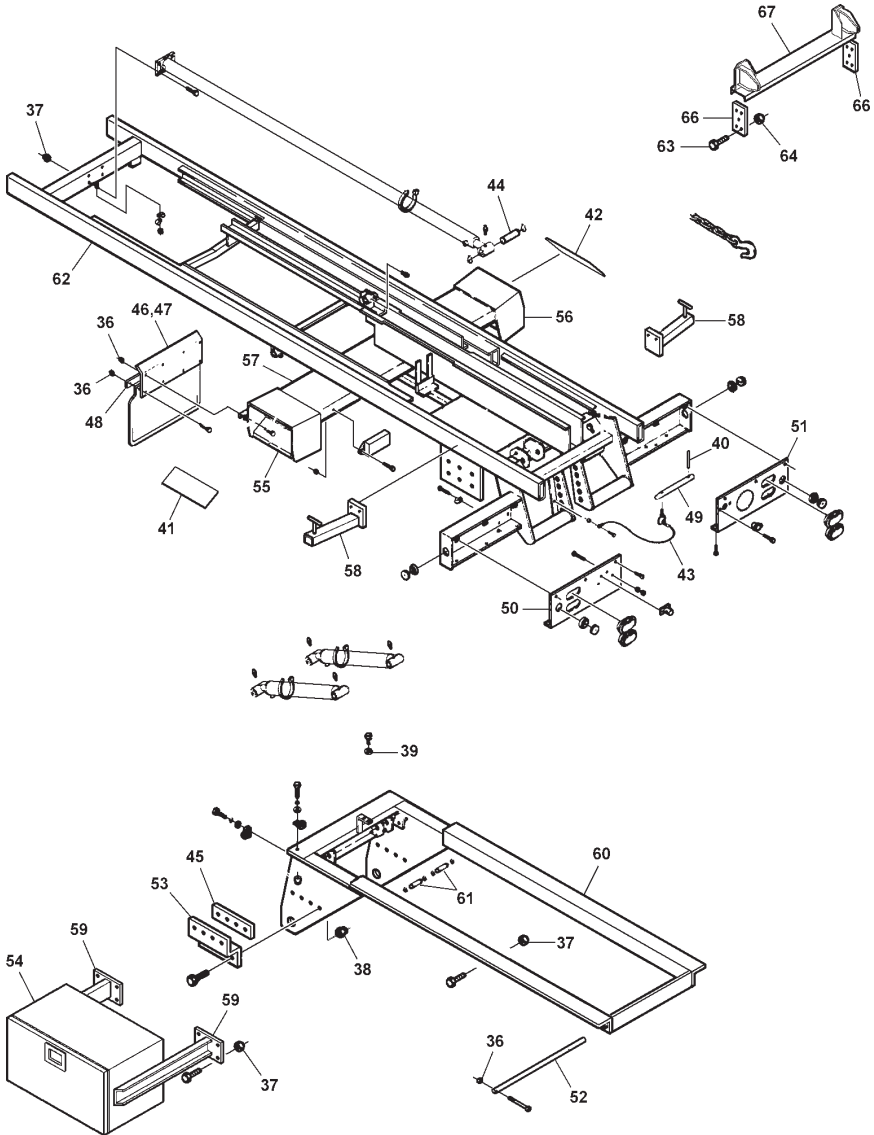
**Section VI - PARTS (cont'd)**  
**FRAME ASSEMBLY**  
**(Continued on page VI-11)**

REF. NO.	NO. REQ'D	PART NUMBER	DESCRIPTION
1	1	0300032	HOLE PLUG, 1"
2	3	0300113	GREASE FITTING
3	18	0300132	CABLE TIE
4	4	0300134	HOSE CLAMP, INSULATED
5	2	0300188	HOSE CLAMP, INSULATED
6	1	0300273	LICENCE PLATE ILLUMINATOR
7	2	0300867	CONTROL PANEL ILLUMINATOR
8	2	0301223	MUD FLAP
9	2	0301390	TAIL LIGHT ASSEMBLY (RED)
10	3	0301397	GREASE FITTING, 90°
11	8	0301601	CLAMP
12	10	0301642	SNAP RING, 1-1/4"
13	1	0301671	TOW LIGHT SOCKET
14	4	0301740	GROMMET MOUNTING KIT
15	4	0301741	SEALED LAMP (RED)
16	1	0303385	JUNCTION BOX
17	2	0301932	SAFETY CHAIN W/ HOOKS, 10' LONG
18	2	0302201	LIGHT, BACK UP (WHITE)
19	1	0302474	LYNCH PIN
20	1	0306385	BACK-UP ALARM (NOT SHOWN)
21	1	0306386	BACK-UP ALARM GROMMET (NOT SHOWN)
22	1	0400021	SCREW, #8-32 X 1/2" PAN HD
23	12	0400045	SCREW, #10-32 X 1/2" SELF TAPPING
24	8	0400060	SCREW, 1/4"-20 X 1/2" HEX HD CAP
25	2	0400061	SCREW, 1/4"-20 X 3/4" HEX HD CAP
26	2	0400066	SCREW, 1/4"-20 X 3/4" HEX HD CAP
27	1	0400070	SCREW, 1/4"-20 X 1" HEX HD CAP
28	12	0400121	SCREW, 3/8"-16 X 3/4" HEX HD CAP
29	9	0400122	SCREW, 3/8"-16 X 1-1/4" HEX HD CAP
30	1	0400150	SCREW, 3/8"-16 X 2-1/2" HEX HD CAP
31	28	0400181	SCREW, 1/2"-13 X 1-1/2" HEX HD CAP
32	20	0400211	SCREW, 1/2"-13 X 1-3/4" HEX HD CAP
33	16	0400253	SCREW, 5/8"-11 X 1-3/4"
34	1	0400351	NUT, #8-32 NC KEPS
35	14	0400367	NUT, 1/4"-20 HEX NYLOK

# Section VI - PARTS (cont'd)

## FRAME ASSEMBLY

(Continued from page VI-8)

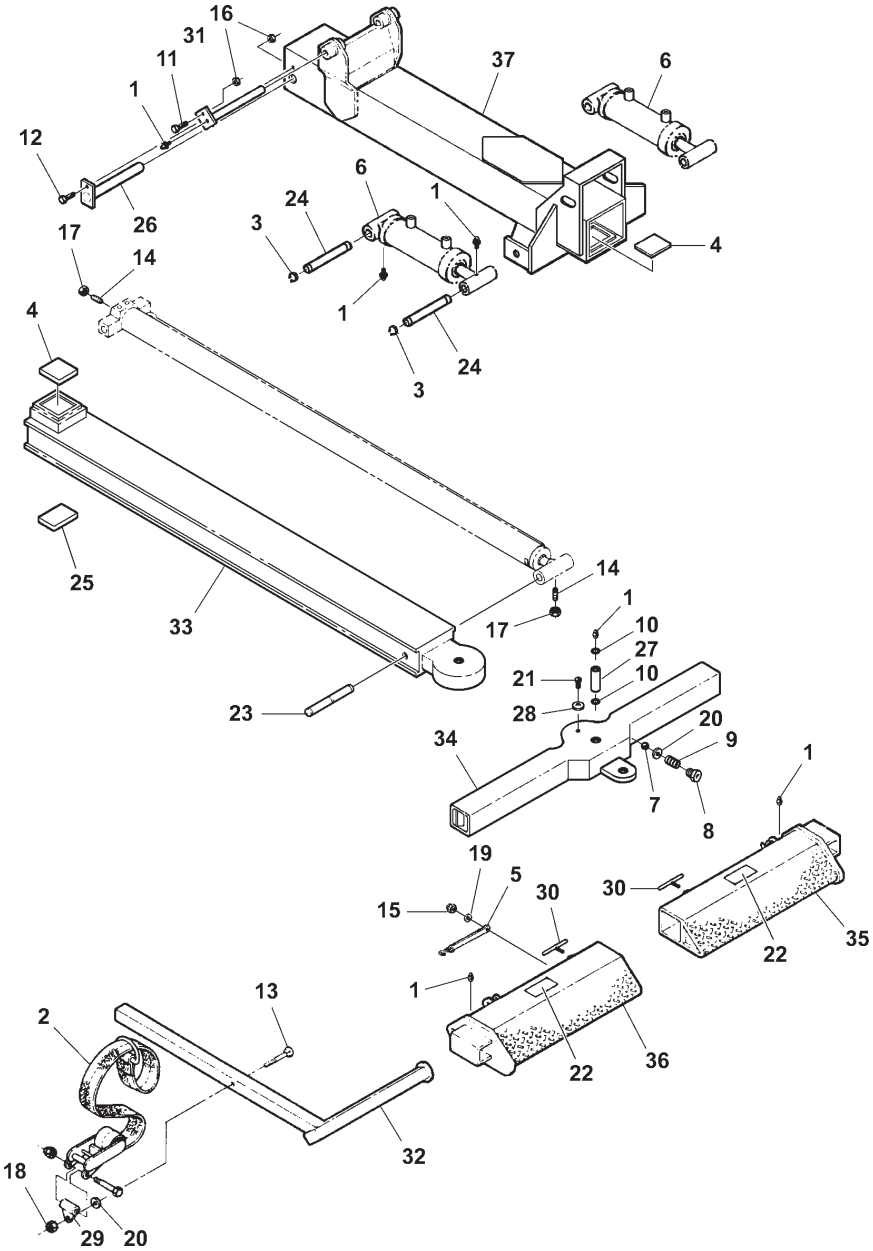


**Section VI - PARTS (cont'd)**  
**FRAME ASSEMBLY**  
**(Continued from page VI-9)**

REF. NO.	NO. REQ'D	PART NUMBER	DESCRIPTION
36	20	0400392	NUT, 3/8"-16 HEX NYLOK
37	32	0400408	NUT, 1/2"-13 HEX NYLOK
38	16	0400421	NUT, 5/8"-11 NYLOK
39	2	0400452	LOCKWASHER, 1/4"
40	1	0400564	ROLL PIN
41	1	0500425	DECAL, CONTROL STATION (LEFT SIDE)
42	1	0500426	DECAL, CONTROL STATION (RIGHT SIDE)
43	2	0700584	CABLE
44	1	0702434	PIN, EXTEND CYLINDER
45	2	0704152	SPACER, MOUNTING BRACKET
46	1	0720080	MUD FLAP MOUNTING BRACKET, RH
47	1	0720081	MUD FLAP MOUNTING BRACKET, LH
48	2	0705092	BAR, MUDFLAP
49	1	0705239	SAFETY PIN
50	1	0705253	PLATE, LIGHT MOUNTING (LEFT SIDE)
51	1	0705254	PLATE, LIGHT MOUNTING (RIGHT SIDE)
52	1	0721546	PIVOT PIN (HINGE)
53	2	0801180	MOUNTING BRACKET
54	1	0306048	TOOL BOX
55	1	0801557	CONTROL BOX HOOD, LEFT
56	1	0801558	CONTROL BOX HOOD, RIGHT
57	1	0801559	CENTER CONTROL HOUSING
58	2	0802663	L-ARM STORAGE BRACKET
59	2	0802667	TOOL BOX MOUNTING BRACKET
60	1	0805745	MOUNTING FRAME
61	4	0806094	SHAFT, LIFT CYLINDER
62	1	0806274	TILT FRAME
--	--	--	BEDLOCK KIT
63	6	0400211	SCREW, 1/2"-13 X 1-3/4" HEX HD CAP
64	6	0400408	NUT, 1/2"-13 HEX NYLOK
65	12	0400492	WASHER, 1/2" FLAT
66	2	0720365	BEDLOCK GUIDE ANGLE
67	1	0805054	BEDLOCK ASSEMBLY

# Section VI - PARTS (cont'd)

## WHEEL LIFT & SLIDE-IN TIRE RESTRAINT ASSEMBLY



## Section VI - PARTS (cont'd)

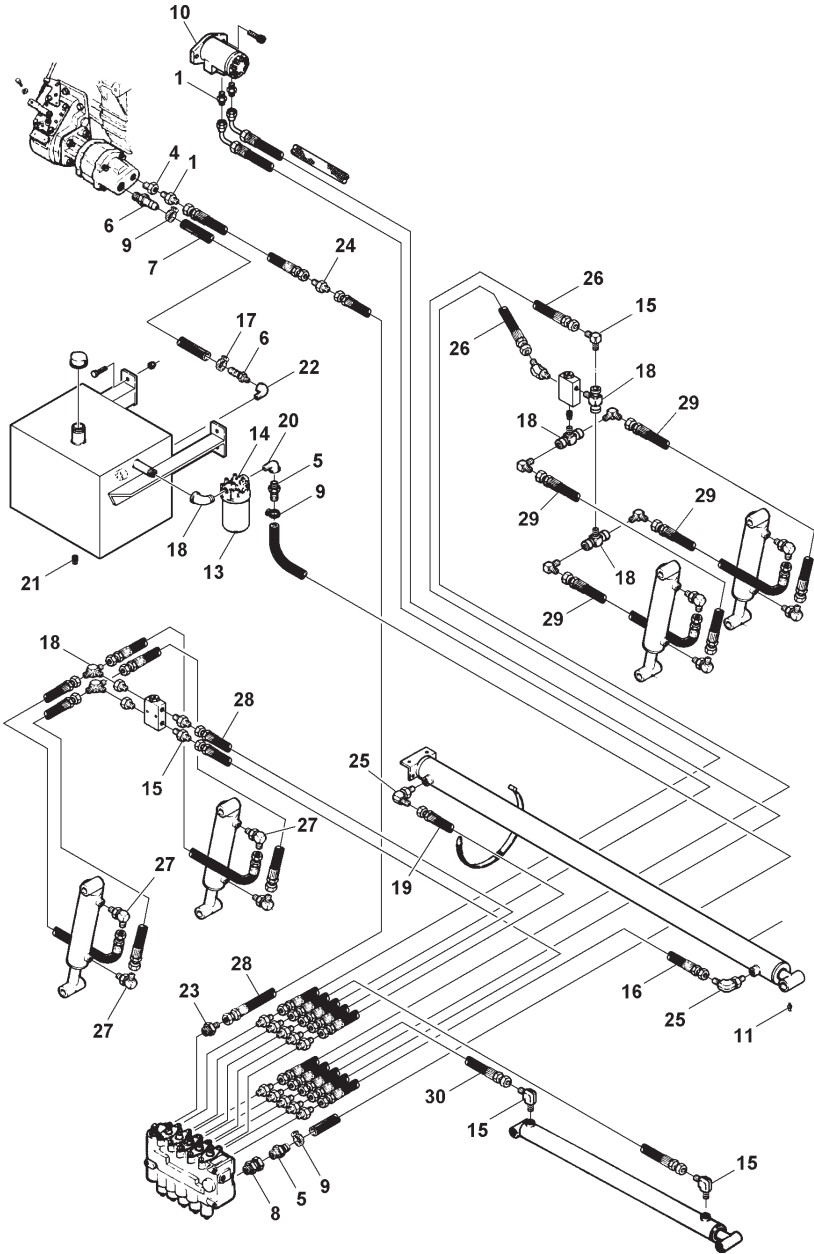
### WHEEL LIFT & SLIDE-IN TIRE RESTRAINT ASSEMBLY

REF. NO.	NO. REQ'D	PART NUMBER	DESCRIPTION
1	7	0300113	GREASE FITTING
2	2	0301398	RATCHET, TIE DOWN (INCL SCREW & NUT)
3	8	0301642	SNAP RING, 1-1/4"
4	2	0301850	BEARING PAD
5	2	0301956	STRAP, RUBBER
6	2	0302368	CYLINDER, WHEEL LIFT LIFT
7	1	0308129	DETENT BALL
8	1	0308130	PIPE PLUG
9	1	0308131	DETENT SPRING
10	2	0308132	"O" RING
11	1	0400126	SCREW, 3/8"-16 X 1" HEX HD
12	1	0400148	SCREW, 3/8"-16 X 1-1/4" HEX HD CAP
13	2	0400161	BOLT, 3/8"-16 X 2-3/4" CARRIAGE
14	2	0400221	SCREW, 3/8"-16 X 1" CUP POINT ALLEN HD
15	2	0400367	NUT, 1/4"-20 HEX NYLOK
16	2	0400392	NUT, 3/8"-16 HEX NYLOK
17	2	0400393	NUT, 3/8"-16 HEX JAM
18	2	0400398	HALF NUT, 3/8"-16 HEX NYLOK
19	2	0400451	WASHER, 1/4" FLAT
20	3	0400480	WASHER, 3/8" FLAT
21	1	0403004	SCREW, 3/8"-16 X 3/4" BUTTON ALLEN HD
22	2	0500241	DECAL, SAFETY CHAIN WARNING
23	1	0702131	SHAFT, INNER TUBE CYLINDER
24	4	0702434	SHAFT, LIFT CYLINDER
25	1	0703277	SLIDER, PAD
26	1	0705524	SHAFT, EXTEND CYLINDER
27	1	0720460	PIN, CROSSBEAM PIVOT
28	1	0720463	WASHER, 1" O.D. X 3/8" I.D. FLAT
29	2	0800583	PIVOT, TIE DOWN
30	2	0800590	"T" HANDLE
31	1	0801009	SHAFT, PIN ASSEMBLY, UPPER BOOM
32	2	0801332	TIRE RESTRAINT
33	1	0805245	INNER BOOM
34	1	880360500	CROSSTUBE WELDMENT
35	1	0805470	OUTER CROSSTUBE, RIGHT
36	1	0805471	OUTER CROSSTUBE, LEFT
37	1	0806109	OUTER BOOM

# Section VI - PARTS (cont'd)

## HYDRAULICS

(Continued on page VI-16)



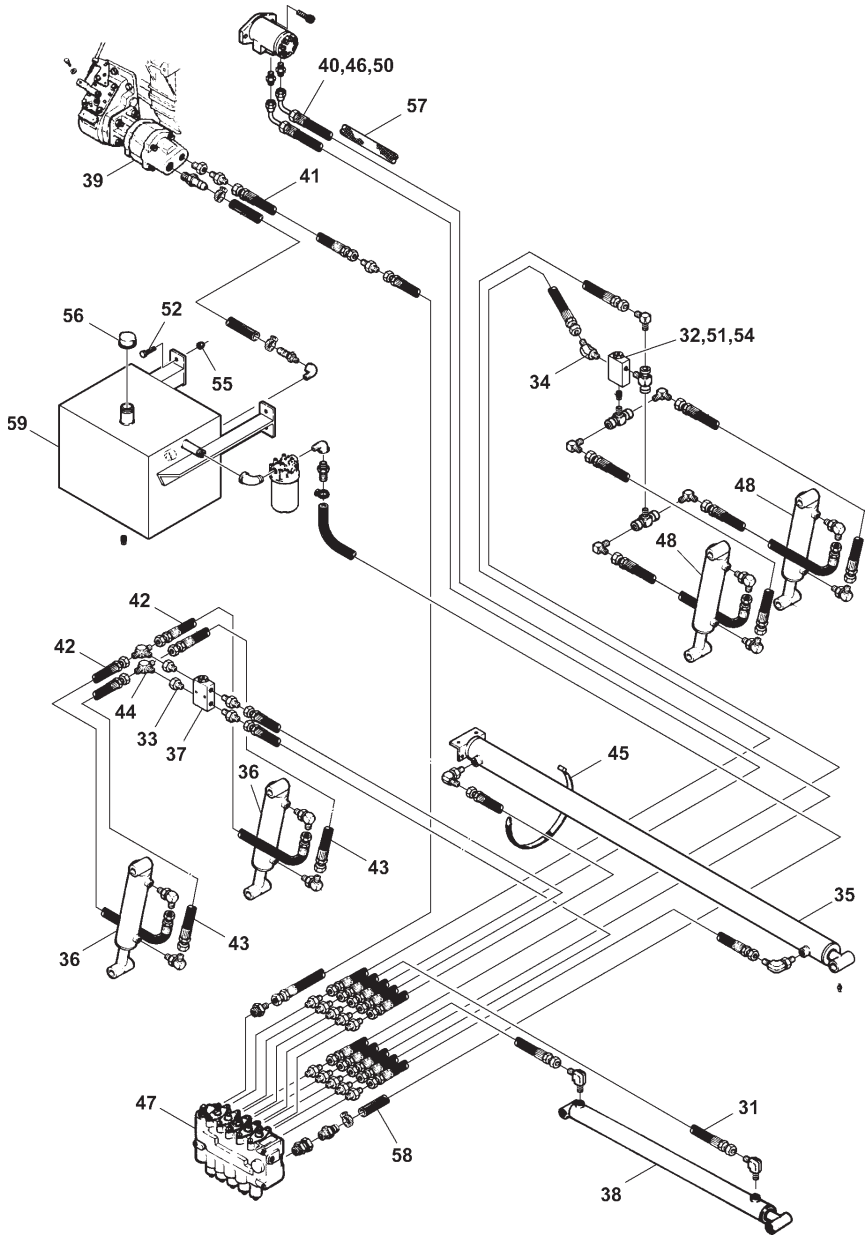
**Section VI - PARTS (cont'd)**  
**HYDRAULICS**  
**(Continued on page VI-17)**

REF. NO.	NO. REQ'D	PART NUMBER	DESCRIPTION
1	3	0300040	CONNECTOR, 8MJ-8MP
2	8	0300041	CONNECTOR, 8MJ-8MB
3	4	0300044	CONNECTOR 6MJ-8MB
4	1	0300050	CONNECTOR, 16MP-8FB
5	2	0300055	HOSE BARB, 3/4" X 3/4"NPT
6	2	0300056	HOSE BARB, 1" X 1"NPT
7	1	0306080	HOSE, SUCTION 1" X 96"
8	1	0300065	SWIVEL, 3/4"SAE x 3/4NPT FEMALE PIPE
9	4	0300071	CLAMP, HOSE 1"
10	1	0306157	MOTOR, WINCH
11	20	0300113	GREASE FITTING
12	9	0300132	WIRE TIE
13	1	0308151	ELEMENT, OIL FILTER REPLACEMENT
14	1	0300136	OIL FILTER ASSEMBLY
15	7	0300142	ELBOW, 6MJ-4MP90°
16	1	0306071	HOSE ASSEMBLY, 92"
17	1	0300188	HOSE CLAMP, INSULATED
18	5	0301868	TEE, 6MJ X 6MJ X 4MP
19	1	0301658	HOSE ASSEMBLY, 115"
20	2	0300288	STREET ELBOW, 3/4"NPT
21	1	0300347	PLUG, 1/2" NPT SQ HD
22	1	0300692	STREET ELBOW, 1"NPT
23	1	0300789	CONNECTOR, 5/8"SAE X 1/2"JIC
24	1	0300865	CONNECTOR, 8MJ
25	2	0301388	ELBOW, 8MJ-8MB90
26	2	0301403	HOSE ASSEMBLY, 80-1/2"
27	4	0301470	ELBOW, 6MJ--8MB90
28	3	0301659	HOSE ASSEMBLY, 150"
29	4	0301660	HOSE ASSEMBLY, 21"
30	2	0301478	HOSE ASSEMBLY, 62"

# Section VI - PARTS (cont'd)

## HYDRAULICS

(Continued from page VI-14)



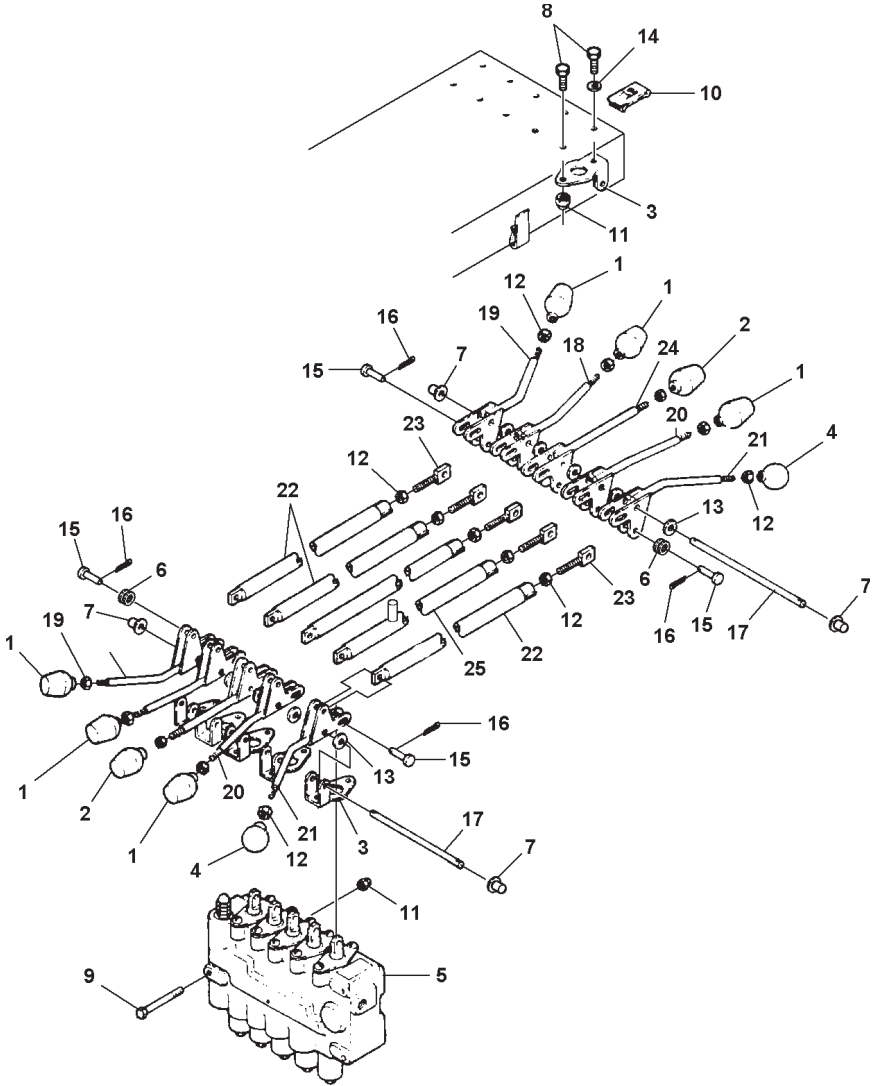


**Section VI - PARTS (cont'd)**  
**HYDRAULICS**  
**(Continued from page VI-15)**

REF. NO.	NO. REQ'D	PART NUMBER	DESCRIPTION
31	1	0301662	HOSE ASSEMBLY, 120"
32	1	0301731	LOCK VALVE, TILT CYLINDER
33	2	0301787	ADAPTOR, 8MJ-4FB
34	1	0301848	ADAPTER, 45°, 6MJ X 6MP45
35	1	0301970	CYLINDER, BED EXTEND
36	2	0302012	CYLINDER, TILT
37	1	0302024	CYLINDER, LOCK VALVE
38	1	0302178	CYLINDER, WHEEL LIFT EXTEND
39	1	0302026	PUMP
40	2	0302033	HOSE ASSEMBLY, 242" (22' CARRIER BED)
41	1	0302034	HOSE ASSEMBLY, 126"
42	2	0302035	HOSE ASSEMBLY, 18"
43	2	0302036	HOSE ASSEMBLY, 26"
44	1	0301694	TEE, ORFICE 6MJ-6MJ-4MP
45	11	0302062	WIRE TIE
46	2	0302099	HOSE ASSEMBLY, 224" (20' CARRIER)
47	1	0302179	VALVE, 5 SPOOL CONTROL
48	2	0302368	TILT CYLINDER, WHEEL LIFT
49	4	0301660	HOSE ASSEMBLY, 21"
50	2	0302713	HOSE ASSEMBLY, 266" (24' CARRIER)
51	2	0400078	SCREW, 1/4"-20 X 2" RD HD
52	4	0400181	SCREW, 1/2"-13 X 1-1/2"
53	2	0400196	SCREW, 1/2"-13 X 1-1/4" S.H.C.S.
54	4	0400367	NUT, 1/4"-20 NYLOK
55	4	0400408	NUT, 1/2"-13 NYLOK
56	1	0702741	CAP, RESERVOIR
57	1	0702782	SKUFF JACKET
58	1	0704366	RETURN HOSE, 3/4" X 20'
59	1	0801213	RESERVOIR

# Section VI - PARTS (cont'd)

## CONTROL & CROSSROD ASSEMBLY



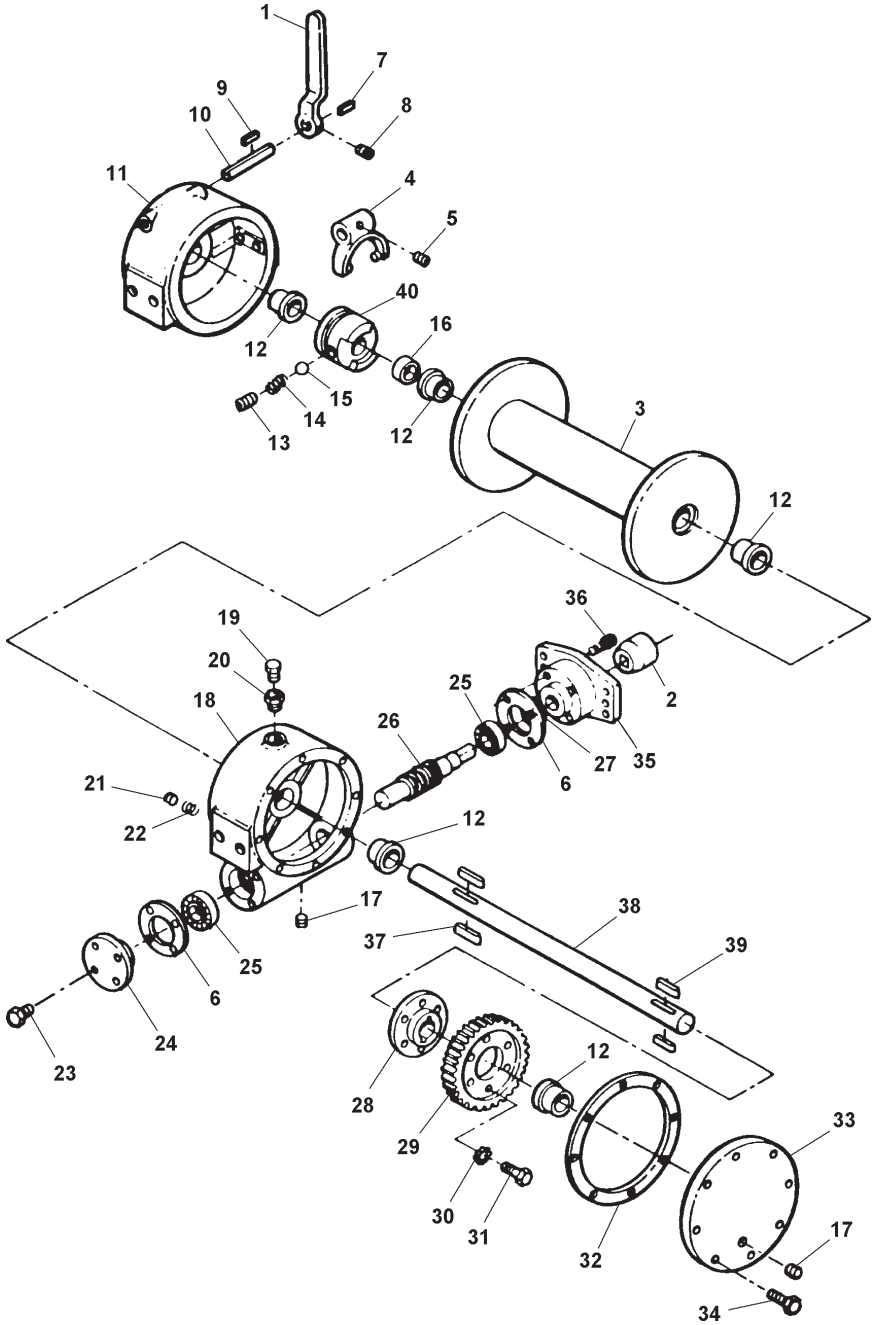
## Section VI - PARTS (cont'd)

### CONTROL & CROSSROD ASSEMBLY

REF. NO.	NO. REQ'D	PART NUMBER	DESCRIPTION
1	6	0300341	KNOB
2	2	0300834	KNOB, "IN/OUT" (RED, CABLE)
3	10	0301638	BRACKET, CONTROL HANDLE
4	2	0301720	KNOB, BALL
5	1	0302179	5-SPOOL CONTROL VALVE
6	10	0306006	SPRING, ANTI-RATTLE
7	4	0306139	END CAP, CONTROL HANDLE ROD
8	10	0400121	SCREW, 3/8"-16 X 3/4" HEX HD
9	3	0400140	SCREW, 3/8"-16 X 4" HEX HD
10	4	0400243	NUT, 3/8", TINNER MAN "J"
11	8	0400392	NUT, 3/8"-16 NYLOK
12	10	0400393	NUT, 3/8"-16 JAM
13	15	0400465	WASHER, 5/16" FLAT
14	5	0400482	LOCKWASHER, 3/8" HELICAL
15	15	0400532	CLEVIS PIN, 5/16" X 1"
16	10	0400543	COTTER PIN, 1/8" X 3/4"
17	2	0705242	CONTROL HANDLE PIVOT ROD
18	2	0800795	FRONT INNER CONTROL HANDLE
19	2	0800796	FRONT OUTER CONTROL HANDLE
20	2	0800797	REAR INNER CONTROL HANDLE
21	2	0800798	REAR OUTER CONTROL HANDLE
22	4	0800799	VALVE SHIFTER
23	5	0800800	CONTROL ROD LINK
24	2	0801566	CONTROL HANDLE, CENTER
25	1	0805036	CONTROL ROD LINK, ANTI TILT

# Section VI - PARTS (cont'd)

## HYDRAULIC WINCH



## Section VI - PARTS (cont'd)

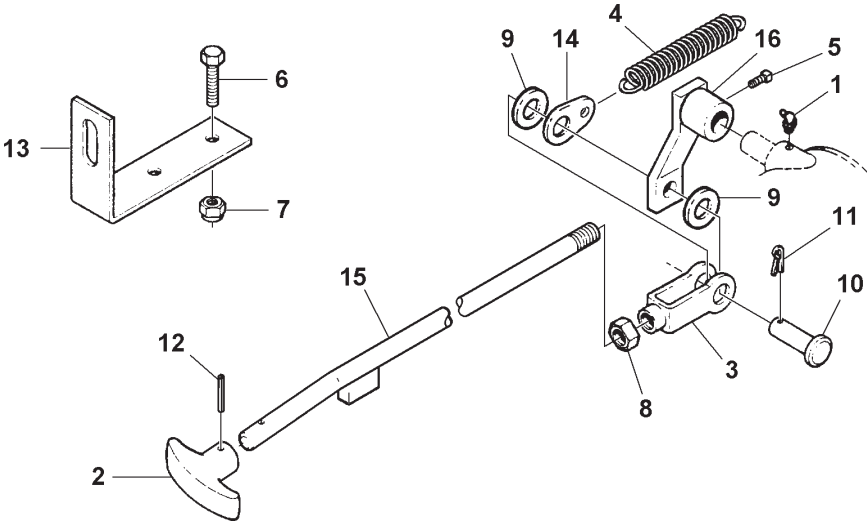
### HYDRAULIC WINCH

REF. NO.	NO. REQ'D	PART NUMBER	DESCRIPTION
1	1	0300261	LEVER
2	1	0300290	COUPLING
3	1	0300381	DRUM
4	1	0300398	YOKE
5	1	0300399	SCREW
6	2	0300447	GASKET
7	1	0300448	KEY
8	1	0300449	SCREW
9	1	0300450	KEY
10	1	0300451	SHAFT
11	1	0300452	CLUTCH HOUSING
12	5	0300453	BUSHING
13	1	0300454	SCREW
14	1	0300455	SPRING
15	1	0300456	BALL
16	1	0300458	SPACER
17	2	0300459	PLUG
18	1	0300460	HOUSING
19	1	0300461	PLUG
20	1	0300462	REDUCER
21	1	0300463	DRAG BRAKE
22	1	0300464	SPRING
23	16	0300465	SCREW
24	1	0300466	CAP
25	2	0300467	BEARING
26	1	0300468	WORM
27	1	0300471	SEAL
28	1	0300472	HUB
29	1	0300473	GEAR
30	6	0300474	WASHER
31	6	0300475	SCREW
32	1	0300476	GASKET
33	1	0600477	COVER
34	4	0300569	SCREW
35	1	0300694	CAP ADAPTER
36	1	0300695	SCREW
37	2	--	KEY
38	1	--	SHAFT
39	2	--	KEY
40	1	--	CLUTCH

\* When ordering specify which serial number.

# Section VI - PARTS (cont'd)

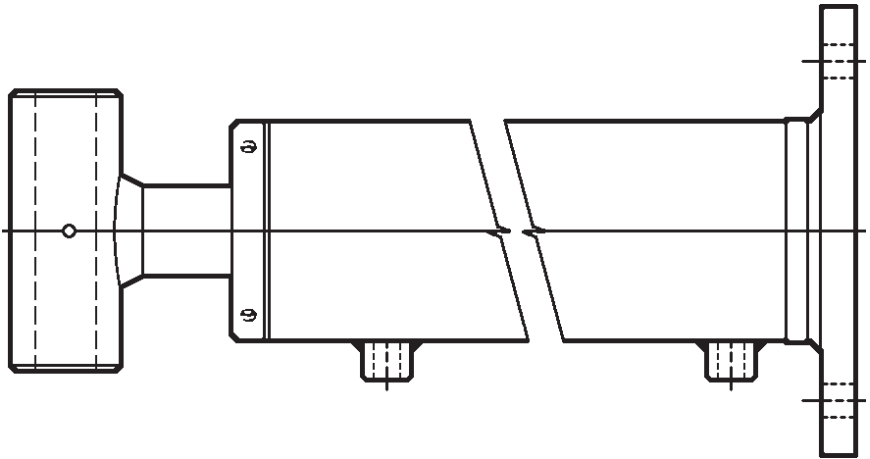
## WINCH CLUTCH CONTROL



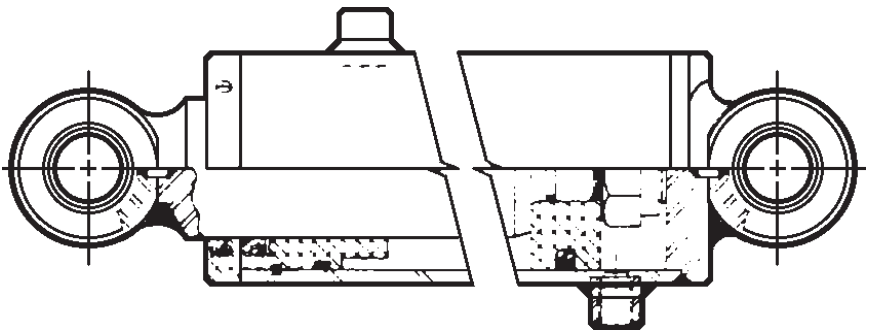
REF. NO.	NO. REQ'D	PART NUMBER	DESCRIPTION
1	1	0301397	GREASE FITTING, 90°
2	1	0301532	"T" HANDLE
3	1	0301588	ADJUSTING YOKE
4	1	0306015	SPRING COMPRESSION
5	1	0400116	SCREW, 5/16"-18 X 1/2" SQ HD SET
6	2	0400126	SCREW, 3/8"-16 X 1" HEX HD CAP
7	2	0400392	NUT, 3/8"-16 NYLOK
8	1	0400410	NUT, 1/2"-13 JAM
9	4	0400492	WASHER, 1/2" FLAT
10	1	0400537	PIN, 1/2" X 1-1/2" CLEVIS
11	1	0400546	PIN, 1/8" X 1-1/4" COTTER
12	2	0400560	PIN, 5/32" X 1" ROLL
13	1	0710918	MOUNTING ANGLE
14	1	0710919	SPRING HOLDER
15	1	0805170	CONTROL ROD
16	1	0805151	BELL CRANK

# Section VI - PARTS (cont'd)

## HYDRAULIC CYLINDERS



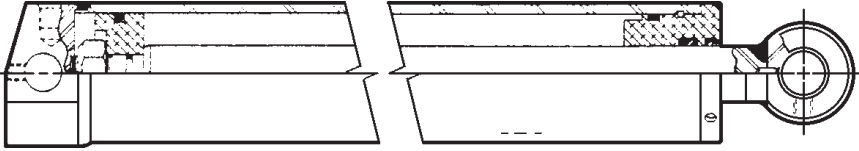
REF. NO.	NO. REQ'D	PART NUMBER	DESCRIPTION
1	1	0301970	CYLINDER, BED EXTEND (COMPLETE)
2	--	0304219	SEAL KIT, BED EXTEND CYLINDER



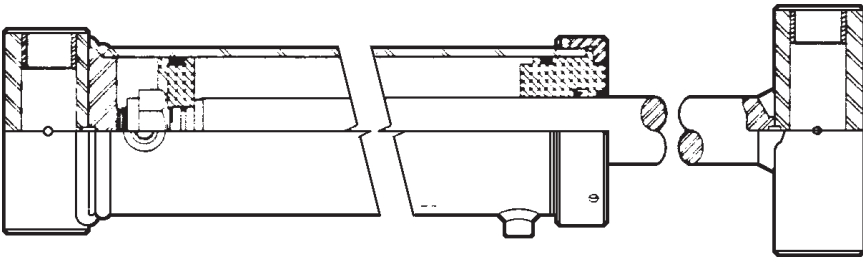
REF. NO.	NO. REQ'D	PART NUMBER	DESCRIPTION
1	2	0302012	CYLINDER, BED TILT (COMPLETE)
2	--	0308092	SEAL KIT, BED TILT CYLINDER

# Section VI - PARTS (cont'd)

## HYDRAULIC CYLINDERS



REF. NO.	NO. REQ'D	PART NUMBER	DESCRIPTION
1	1	0302178	CYLINDER, WHEEL LIFT EXTEND (COMPLETE)
2	--	0306134	SEAL KIT, WHEEL LIFT EXTEND CYLINDER



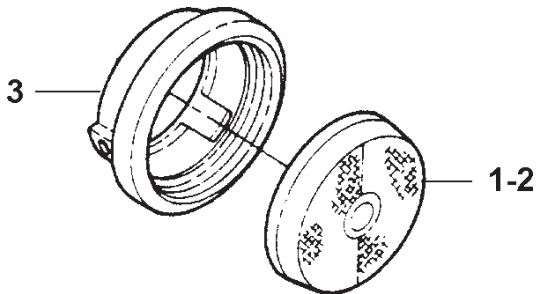
REF. NO.	NO. REQ'D	PART NUMBER	DESCRIPTION
1	1	0302368	CYLINDER, WHEEL LIFT LIFT (COMPLETE)
2	--	0306135	SEAL KIT, WHEEL LIFT LIFT CYLINDER



## Section VI - PARTS (cont'd) LIGHT KIT



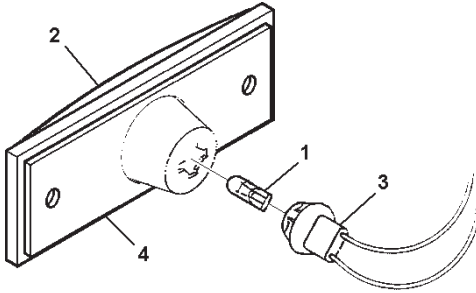
REF. NO.	PART NUMBER	DESCRIPTION
1	0301390	LIGHT, SEALED RED (STOP & TURN)
2	0302201	LIGHT, SEALED WHITE (BACK-UP)
3	0304127	TAIL LIGHT GROMMET



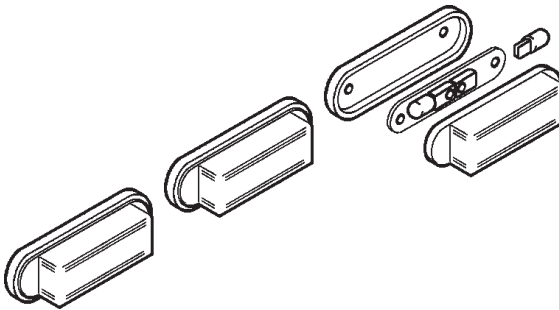
REF. NO.	PART NUMBER	DESCRIPTION
1	0301740	TAIL LIGHT GROMMET
2	0301741	LIGHT, SEALED RED (MARKER)
3	0301742	LIGHT, SEALED AMBER (MARKER)

# Section VI - PARTS (cont'd)

## LIGHT KIT

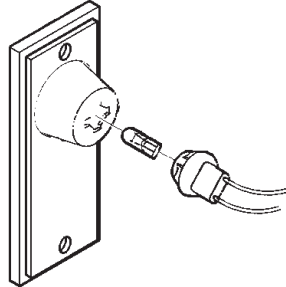


REF. NO.	PART NUMBER	DESCRIPTION
1	GP132	LIGHT, AMBER MARKER, RECTANGULAR (COMPLETE)

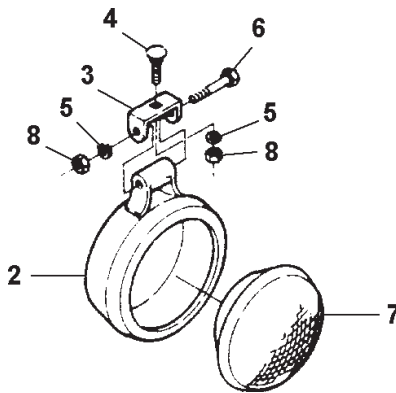


REF. NO.	PART NUMBER	DESCRIPTION
1	0306126	LIGHT ASSEMBLY (COMPLETE)

## Section VI - PARTS (cont'd) LIGHT KIT



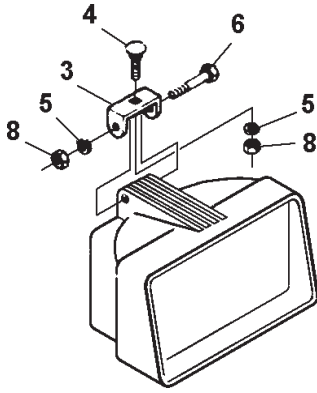
REF. NO.	PART NUMBER	DESCRIPTION
1	LT0118	LIGHT, AMBER MARKER, RECTANGULAR (COMPLETE)



REF. NO.	PART NUMBER	DESCRIPTION
1	0301505	WORK LIGHT (COMPLETE)
2	0304146	HOUSING, WORK LIGHT
3	0304148	MOUNTING BRACKET
4	0304149	MOUNTING SCREW
5	0304150	LOCKWASHER
6	0304151	PIVOT SCREW
7	0304152	BULB, WORK LIGHT
8	0304153	NUT

## Section VI - PARTS (cont'd)

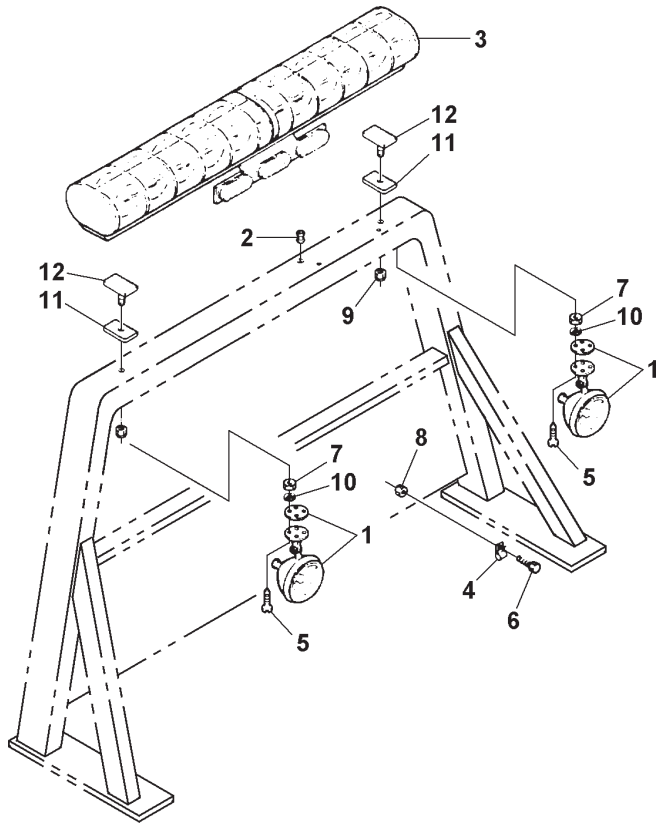
### LIGHT KIT



REF. NO.	PART NUMBER	DESCRIPTION
1	174008003	RECTANGULAR WORK LIGHT (COMPLETE)
2	0304146	HOUSING, WORK LIGHT
3	0304148	MOUNTING BRACKET
4	0304149	MOUNTING SCREW
5	0304150	LOCKWASHER
6	0304151	PIVOT SCREW
7	0304152	BULB, WORK LIGHT
8	0304153	NUT

## Section VI - PARTS (cont'd)

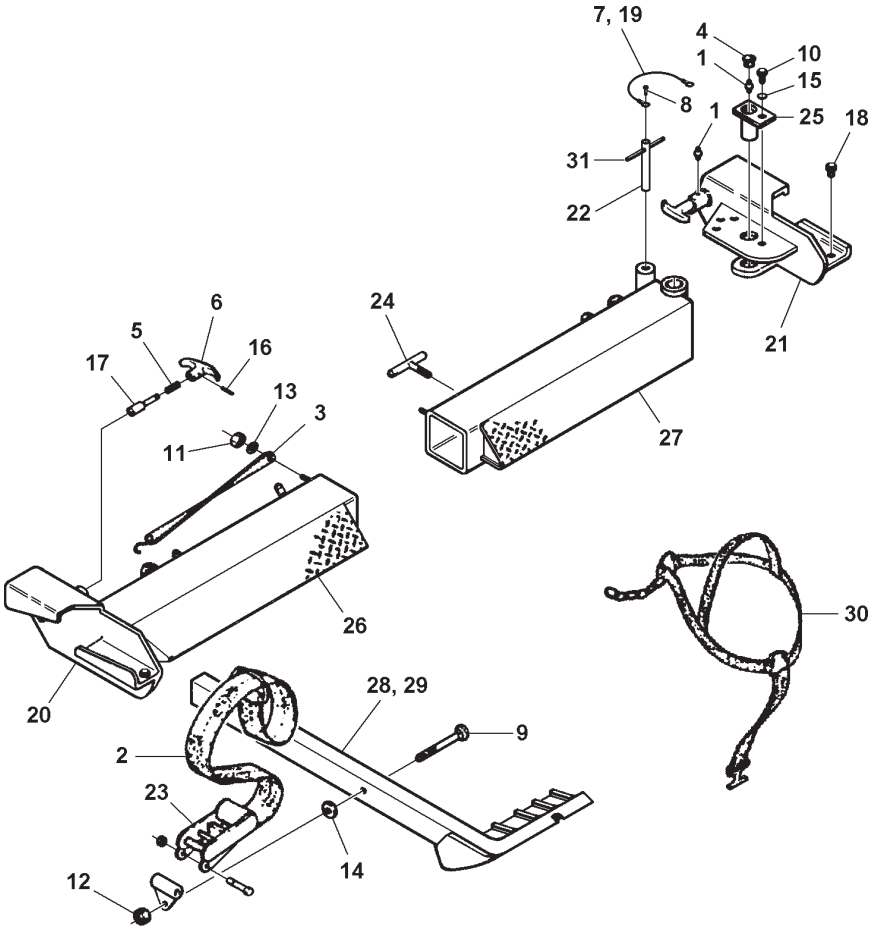
### OPTIONAL LIGHTING ACCESSORIES



REF. NO.	NO. REQ'D	PART NUMBER	DESCRIPTION
1	2	0300095	SPOT LIGHT W/GASKET
2	2	0300897	GROMMET, RUBBER
3	1	0301359	WRECKER SPECIAL LIGHT
4	1	0301601	WIRE CLIP
5	8	0400043	SCREW, #10-24 X 1" MACHINE
6	1	0400061	SCREW, 1/4"-20 X 3/4" HEX HD CAP
7	8	0400356	NUT, #10-24 HEX NYLOK
8	1	0400367	NUT, 1/4"-20 HEX NYLOK
9	2	0400392	NUT, 3/8"-16 HEX NYLOK
10	8	0400520	LOCK WASHER, #10
11	2	0709872	RUBBER CUSHION
12	2	0801777	"T" BOLT ADAPTER

# Section VI - PARTS (cont'd)

## OPTIONAL OUTER CROSSTUBE & 3-WAY PIVOT TIRE RESTRAINT ASSEMBLY



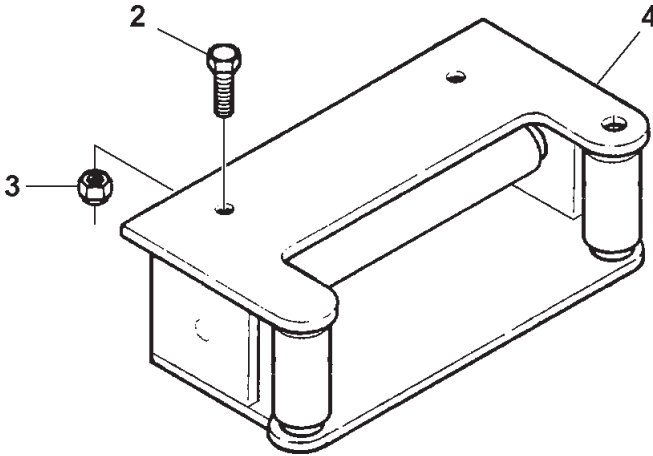
## Section VI - PARTS (cont'd)

### OPTIONAL OUTER CROSSTUBE & 3-WAY PIVOT TIRE RESTRAINT ASSEMBLY

REF. NO.	NO. REQ'D	PART NUMBER	DESCRIPTION
--	1	0904152	OUTER CROSSTUBE & PIVOT, LEFT (COMPLETE)
--	1	0904153	OUTER CROSSTUBE & PIVOT, RIGHT (COMPLETE)
1	4	0300113	GREASE FITTING
2	2	0301399	STRAP, TIE DOWN W/ RATCHET (OPT.)
3	2	0301956	STRAP, 9" RUBBER
4	2	0302640	PLUG, DRY-OUT HOLE
5	2	0302641	SPRING, PLUNGER PIN
6	2	0302648	"T" HANDLE
7	1	0303918	CABLE ASSEMBLY
8	1	0400044	DRIVE SCREW, #10 X 1/2"
9	2	0400161	BOLT, 3/8"-16 X 2-3/4" CARRIAGE (OPT.)
10	2	0400349	SCREW, 3/8"-16 X 3/4" FL HD SKT
11	2	0400367	NUT, 1/4"-20 HEX NYLOK
12	2	0400398	NUT, 3/8"-16 NYLOK HALF (OPT.)
13	2	0400451	WASHER, 1/4" FLAT
14	2	0400480	WASHER, 3/8" FLAT (OPT.)
15	2	0400483	LOCKWASHER, 3/8" COUNTERSUNK
16	2	0400560	PIN, ROLL 5/32" X 1"
17	2	0707505	PIN, PLUNGER
18	2	0712933	PIN ALIGNMENT
19	2	0712934	CABLE PROTECTOR
20	1	0712928	END PLATE WELDMENT, L.H.
21	1	0712929	END PLATE WELDMENT, R.H.
22	2	0714415	PIN
23	2	0800583	PIVOT TIE DOWN (OPT.)
24	2	0306564	TEE HANDLE
25	2	0802187	SHAFT, PIVOT
26	1	0904690	OUTER CROSSTUBE, L.H.
27	1	0904691	OUTER CROSSTUBE, R.H.
28	1	0803648	TIRE RESTRAINT, SCOOP, LEFT
29	1	0803649	TIRE RESTRAINT, SCOOP, RIGHT
30	2	0902382	1" NYLON POLY-COAT STRAP (OPT.)
31	2	HD0107	SPRING PIN, 3/16" X 2"

# Section VI - PARTS (cont'd)

## CABLE ROLLER ASSEMBLY



REF. NO.	NO. REQ'D	PART NUMBER	DESCRIPTION
1	--	0900892	CABLE ROLLER ASSEMBLY
2	2	0400177	SCREW, 1/2"-13 X 1-1/4" HEX HD
3	2	0400408	NUT, 1/2"-13 NYLOK
4	1	0805037	CABLE ROLLER GUIDE WELDMENT





---

**CENTURY®**

Miller Industries Towing Equipment Inc.

8503 Hilltop Drive • Ooltewah, Tennessee 37363 • (423) 238-4171

[www.millerind.com](http://www.millerind.com)