

CENTURY®

L E G E N D A R Y L E A D E R S H I P



OWNER'S MANUAL

1075S / SDU4

MAINTENANCE & PARTS

**NOTE: MANUAL including SPECIFICATIONS, subject to change without notice.
All ratings specified are based on structural factors only,
not vehicle capacities or capabilities.**

CENTURY®

Miller Industries Towing Equipment Inc.
8503 Hilltop Drive
Ooltewah, Tennessee 37363
Phone (423) 238-4171 • FAX (423) 238-5371

FORM NO. 0501664
11 / 2007
PRICE \$25.00

LIMITED WARRANTY

MILLER INDUSTRIES TOWING EQUIPMENT INC., hereinafter referred to as MILLER, warrants to the original purchaser that each new MILLER wrecker or other MILLER products will be free from defects in material and workmanship for a period of twelve (12) months from date placed in service, but in no event shall such warranty period exceed twenty-four (24) months from date of manufacture by MILLER. The purchaser must promptly notify MILLER in writing of any failure in material or workmanship. In no event shall MILLER accept such notification later than twenty-four (24) months from date of delivery or twelve (12) months from date placed in service, whichever is earlier.

MILLER's obligation under this warranty, statutory or otherwise, is limited to the repair or replacement at the MILLER factory, or at a point designated by MILLER, of such part or parts as shall appear upon inspection by MILLER to be defective in material or workmanship. New or remanufactured parts will be used for any replacement at MILLER's option. This warranty is not transferable. This warranty does not obligate MILLER to bear the cost of labor or transportation charges in connection with the repair or replacement of any parts found to be defective, nor shall it apply to a product upon which repairs or alterations have been made unless authorized by MILLER.

EXCEPT AS EXPRESSLY SET FORTH IN THIS WARRANTY, MILLER MAKES NO OTHER WARRANTY, EXPRESS OR IMPLIED, AND HEREBY DISCLAIMS ALL OTHER WARRANTIES INCLUDING, BUT NOT LIMITED TO, THE IMPLIED WARRANTIES OF MERCHANTABILITY AND FITNESS FOR A PARTICULAR PURPOSE. MILLER shall in no event be liable for claimed downtime, claimed loss of profits or goodwill, or any other special, incidental, indirect, or consequential damages concerning or relating to any product or parts, whether based on negligence, strict liability, breach of contract, breach of warranty, misrepresentation or any other legal theory, regardless of whether the loss resulted from any general or particular requirement which MILLER knew or had reason to know about at the time of sale.

MILLER MAKES NO WARRANTY, EXPRESS OR IMPLIED, AS TO THE FINISHED PRODUCTS MANUFACTURED OR SUPPLIED BY ANOTHER MANUFACTURER AND SUPPLIED BY MILLER TO PURCHASER, including, but not limited to, any vehicle to which a MILLER product may be affixed or any accessories or wire rope, and MILLER EXPRESSLY DISCLAIMS ANY IMPLIED WARRANTIES OF MERCHANTABILITY OR FITNESS FOR A PARTICULAR PURPOSE AS TO SUCH EQUIPMENT OR PRODUCTS. This language shall in no way affect or diminish the rights of the purchaser to rely on such warranties as are extended by such manufacturers or suppliers. MILLER shall, to the extent permitted under applicable law, pass on to the purchaser such manufacturer's or seller's warranty.

MILLER, whose policy is one of continuous improvement, reserves the right to improve its products through changes in design or materials as it may deem desirable without being obligated to incorporate such changes in products previously sold. This warranty is not intended to cover or include the following items, which are set forth by way of example and not limitation:

- A. Normal deterioration of trim, paint, lettering, and appearance items due to wear or exposure to weather, road conditions, road treatments, etc.
- B. Any damage or defect due to accident, misuse, abuse, improper or unauthorized repairs, failure to provide reasonable and necessary maintenance, or uses for which the equipment was not designed or intended.
- C. Alterations or modifications that affect performance, operation or reliability.
- D. Normal maintenance parts including, but not limited to, wear pads, bushings, wire rope, mud flaps, fenderettes, light bulbs, hydraulic oil, filters, and tow sling belts.

IT IS EXPRESSLY UNDERSTOOD THAT MILLER MAKES NO IMPLIED WARRANTY THAT MILLER PRODUCTS SHALL BE FIT FOR THE PURPOSE OF LIFTING OR MOVING PEOPLE OR FOR ANY OTHER IMPROPER USE.



Miller Industries Towing Equipment Inc.
8503 Hilltop Drive
Ooltewah, Tennessee 37363

Telephone (423) 238-4171

SERIAL NUMBER

Section II - PARTS

This Section is provided by the manufacturer for the purpose of ordering any component part of the **1075S Recovery Unit** and **SDU/4 Underlift** that may be required when part replacement is necessary.

Be certain to use only original equipment replacement parts for warranty purposes as well as for keeping your **1075S Recovery Unit** and **SDU/4 Underlift** in its original state and optimum operating capacities.

When ordering replacement or spare parts be sure to provide the following information to the manufacturer's **Parts Department**.

1. **Manual Number & Date of Publication**
2. **Manual Page Number**
3. **Page Title**
4. **Reference Number of Part Desired**
5. **Part Number**
6. **Part Description**
7. **Quantity of Part Desired**

Providing this information will help ensure that the correct parts will be delivered to you in an expedient manner. Should additional information be required for repair or replacement of certain components, contact your Wrecker Manufacturer Authorized Representative.

The Manufacturer reserves the right, without notice or obligation, to improve or modify their products, which may change the specifications, models and feature availability.

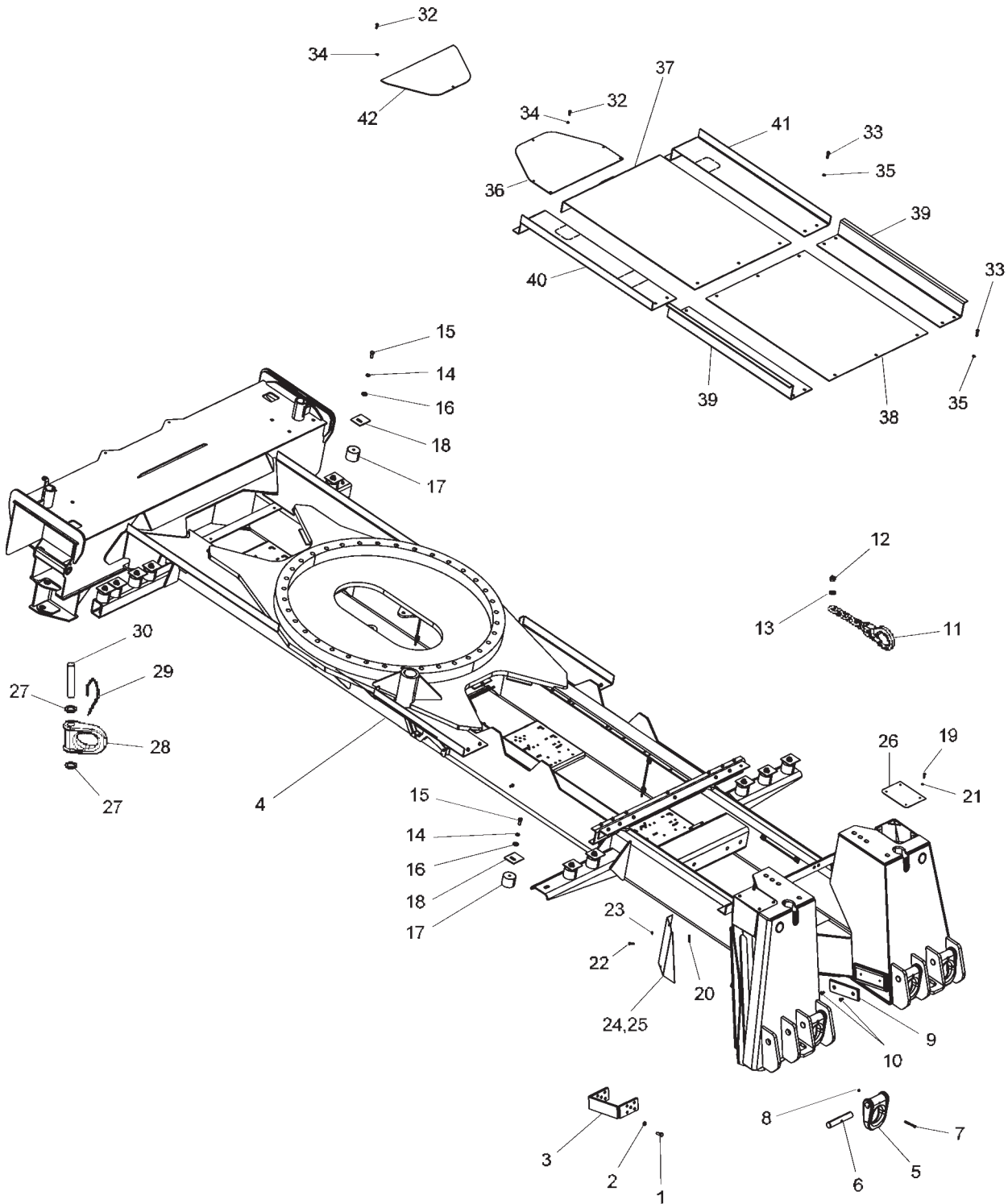
Section II - PARTS (cont'd)

SUBFRAME ASSEMBLY

REF. NO.	NO. REQ'D	PART NUMBER	DESCRIPTION
1	20	0400218	SCREW, 1/2"-13 X 1-1/4" HEX HD CAP
2	20	0400491	LOCKWASHER, 1/2" HELICAL
3	--	--	OUTER TUBE REINFORCEMENT
	2	0712198	PLATE, WRAPPER TIE
	4	0712197	PLATE, WRAPPER SIDE
	2	0711925	REINFORCEMENT, OUTER TUBE
4	1	0806538	SUBFRAME WELDMENT
--	2	0902553	"D" RING KIT
5	2	0708452	"D" RING, TOWING
6	2	GA0215	PIN, "D" RING
7	2	0400114	SCREW, 5/16"-18 X 3" HEX HD CAP GR5 ZP
8	2	0400776	NUT, 5/16"-18 HEX NYLOK ZP
--	--	0904049	BOOM / TAILGATE BUMPER KIT
9	2	0303481	SLIDE PAD, BUMPER
10	4	0400223	SCREW, 3/8"-16 X 3/4" FL HD SKT
--	--	0906642	SAFETY CHAIN ASSEMBLY KIT
11	2	0307626	SAFETY CHAIN - SYSTEM 10
12	2	0400421	NUT, 5/8"-11 HEX NYLOK
13	4	0400506	WASHER, 5/8" FLAT
--	--	--	MODULAR MOUNTS KIT
14	14	0400491	LOCKWASHER, 1/2" HELICAL ZP
15	14	9041402	SCREW, 1/2"-13 X 1-1/4" HEX HD CAP GR8
16	20	0400497	WASHER, 1/2" FLAT GR8 YZ PLT
17	14	9402970	TOOLBOX MOUNTING PAD
18	14	942480011	PLATE, SLOT TOOL BOX WASHER

Section II - PARTS (cont'd)

SUBFRAME ASSEMBLY



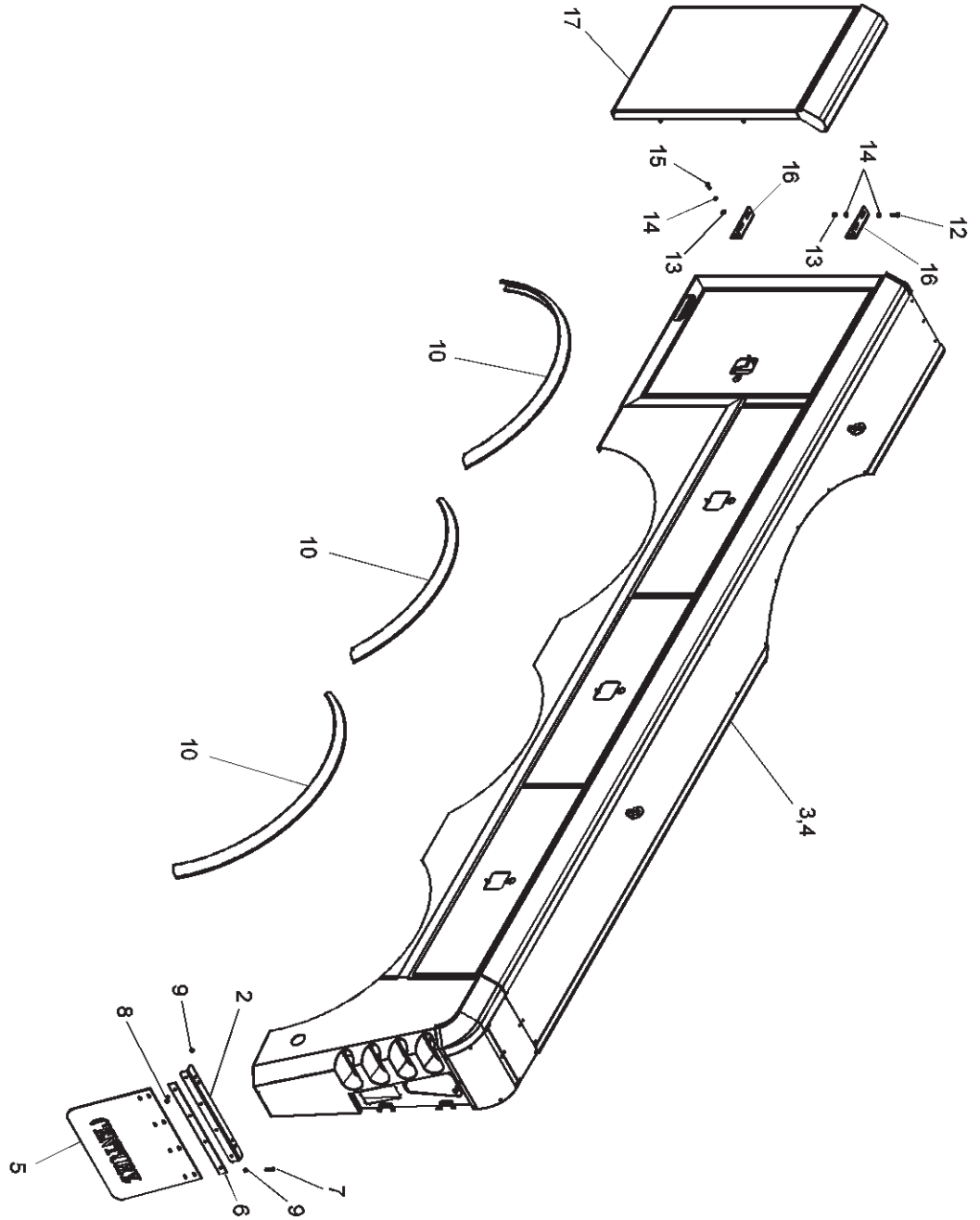
Section II - PARTS (cont'd)

SUBFRAME ASSEMBLY

REF. NO.	NO. REQ'D	PART NUMBER	DESCRIPTION
--	--	0907490	JACK COVER KIT, ROTATOR
19	8	0400070	SCREW, 1/4"-20 X 1" HEX HD CAP
20	4	0400379	NUT, 5/16"-18 "J" TINNERMAN
21	8	0400452	LOCKWASHER, 1/4" HELICAL
22	4	0402032	SCREW, 5/16"-18 X 1" HEX HD CAP SS
23	8	0402118	LOCKWASHER, 5/16" HELICAL
24	1	0717396	COVER, LT CHAIN BOX
25	1	0717397	COVER, RT CHAIN BOX
26	2	0717413	COVER, JACK
--	2	21769003	SIDE "D" RING ASSEMBLY
27	2	0701616	WASHER, HEAVY "D" RING SHAFT
28	1	0708452	"D" RING, TOWING
39	1	8621900	LOCKING PIN W/ CHAIN
30	1	GA0215	PIN, "D" RING
--	--	0908177	ACCESS COVER KIT
31	6	0400379	NUT, 5/16"-18 "J" TINNERMAN (Not Shown)
32	6	0400996	SCREW, 5/16"-18 X 1" HEX HD CAP SS
33	25	0400998	SCREW, 3/8"-16 X 1-1/2" HEX HD CAP SS
34	6	0402118	LOCKWASHER, 5/16" HELICAL
35	25	0402121	LOCKWASHER, 3/8" HELICAL 316 SS
36	1	0717398	COVER, FRONT FLOOR PLATE
37	1	0717944	COVER, FLOOR PLATE, UNDERLIFT, REAR
38	1	0717945	COVER, FLOOR PLATE, DECK, REPAIR
39	2	0717946	COVER, DECK PANEL, REAR
40	1	0717947	COVER, DECK PANEL, LEFT
41	1	0717948	COVER, DECK PANEL, RIGHT
42	1	0718778	COVER PLATE, FLOOR, FRONT HYD.
43	1	0806552	ANGLE MTG WELDMENT, REAR DECK COVER (Not Shown)
44	1	0806766	DECK PANEL, CENTER WELDMENT, LONG (Not Shown)

Section II - PARTS (cont'd)

BODY ASSEMBLY



mi1075_0013_r00

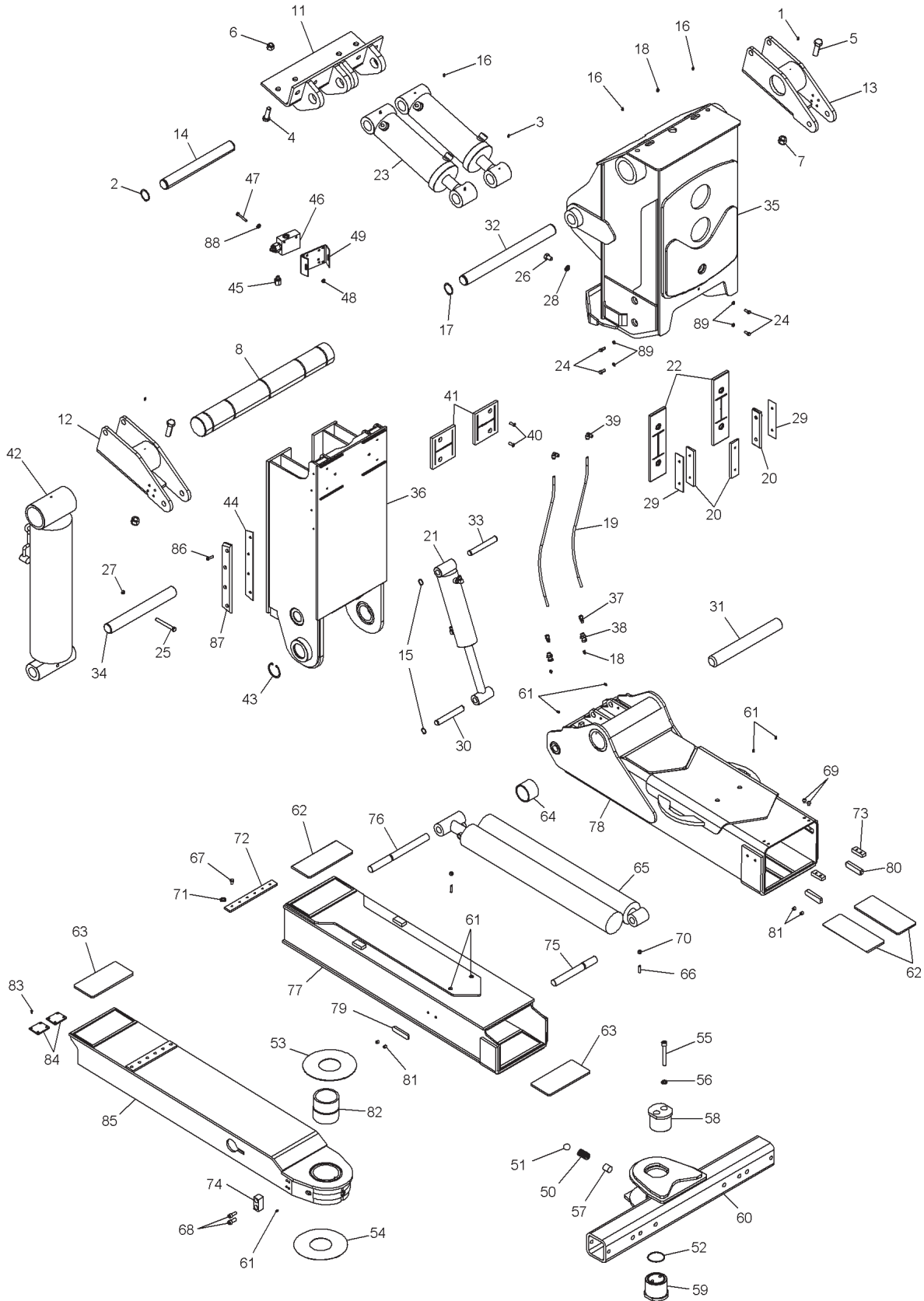
Section II - PARTS (cont'd)

BODY ASSEMBLY

REF. NO.	NO. REQ'D	PART NUMBER	DESCRIPTION
1	110 FT.	0307148	DOOR SEAL (Not Shown)
2	2	0718264	ANGLE, MUDFLAP MOUNTING
3	1	0307703	TOOL COMPARTMENT, LEFT
4	1	0307704	TOOL COMPARTMENT, RIGHT
--	--	0908418	MUDFLAP KIT
5	2	0301223	MUDFLAP
6	2	0717386	BAR, MUDFLAP
7	8	0400103	SCREW, 5/16"-18 X 1-1/4" HEX HD CAP
8	4	0400104	SCREW, 5/16"-18 X 1-1/2", HEX HD CAP GR5 ZP
9	12	0400382	NUT, 5/16"-18 HEX NYLOK
--	--	0907311	RUBBER FENDER KIT
10	35 FT.	0307151	RUBBER FENDER WELL MATERIAL
11	108	0400607	RIVET, 1/4" (Not Shown)
--	--	0907550	FRONT OUTRIGGER COVER KIT
12	8	0400132	SCREW, 3/8"-16 X 1-1/2" HEX HD CAP
13	16	0400392	NUT, 3/8"-16 HEX NYLOK
14	24	0400480	WASHER, 3/8" FLAT
15	8	0400141	SCREW, 3/8"-16 X 7/8" HEX HD CAP
16	4	0717490	MOUNTING ANGLE, OUTRIGGER COVER
17	2	0307300	FRONT OUTRIGGER COVER

Section II - PARTS (cont'd)

SDU/4 ASSEMBLY



mi1075_0004_r00

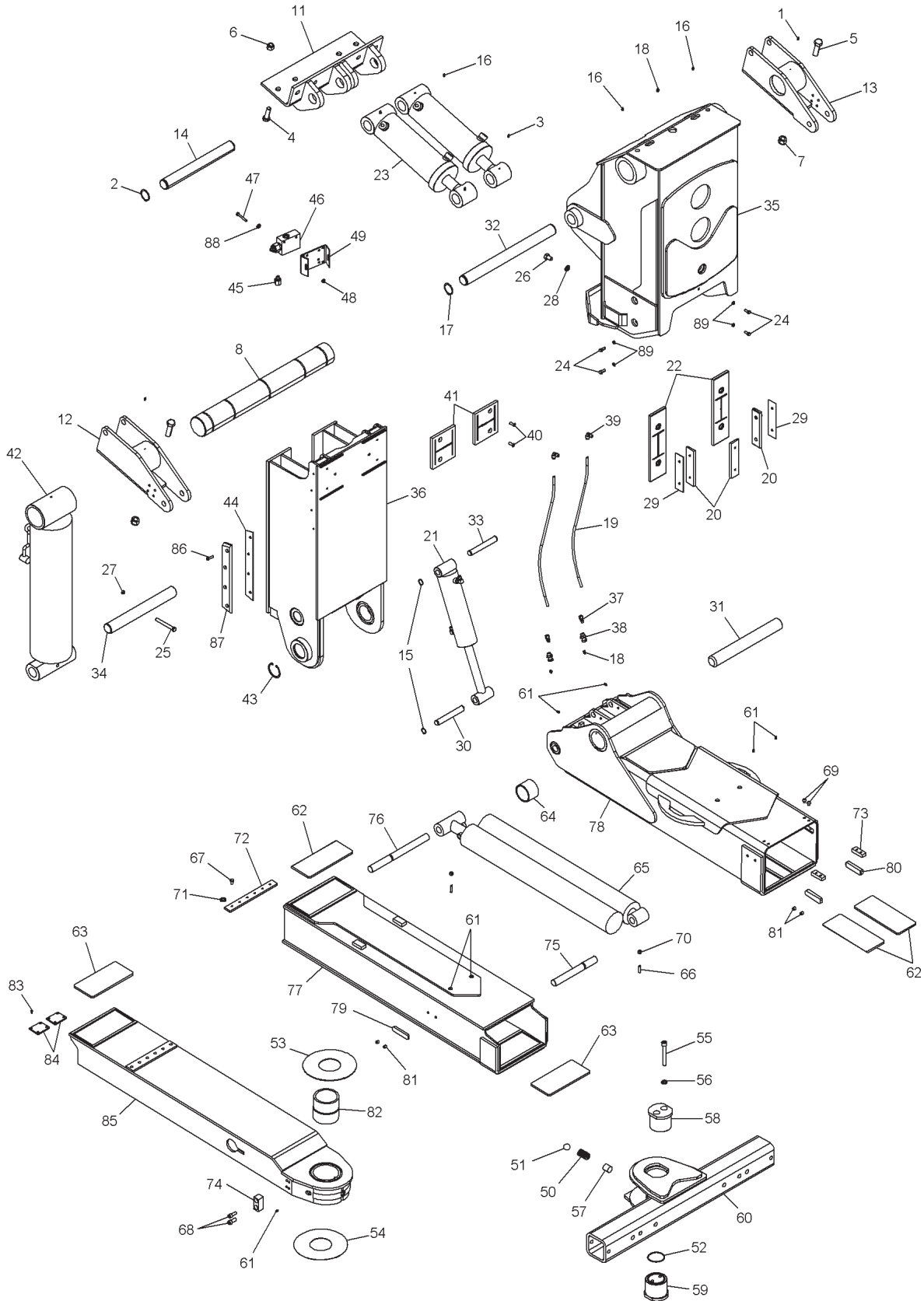
Section II - PARTS (cont'd)

SDU/4 ASSEMBLY

REF. NO.	NO. REQ'D	PART NUMBER	DESCRIPTION
--	--	0904652	INSTALLATION SDU/4 FIX & ROT.
1	2	0300113	GREASE FITTING, 1/4"-28
2	2	0300329	SNAP RING, EXTERNAL 2"
3	2	0301397	GREASE FITTING, 1/4"-28 90°
4	8	0400288	SCREW, 3/4"-10 X 2-1/2" HEX HD CAP GR8 GD
5	8	0400306	SCREW, 7/8"-9 X 3" HEX HD CAP GR8 GOLD
6	8	0400430	NUT, 3/4"-10 NYLOK HEX ZP
7	8	0400437	NUT, 7/8"-9 NYLOK HEX GR8 ZP
8	1	0709242	PIN, MAIN PIVOT
9	0	0716546	PLATE, PIVOT MOUNTING SHIM
10	0	0716547	PLATE, PIVOT MOUNTING SHIM
11	1	0804034	TILT CYLINDER MOUNTING BRACKET
12	1	0804303	SUPPORT, LEFT PIVOT WELDMENT
13	1	0804304	SUPPORT, RIGHT PIVOT WELDMENT
14	1	UK0126	PIN, TILT CYLINDER BASE END
--	--	0909047	UNDERLIFT SDU/4 ASSY
15	4	0300110	SNAP RING, 1" 5100-100
16	4	0300113	GREASE FITTING, 1/4"-28 STRAIGHT
17	2	0300329	SNAP RING, EXTERNAL 2"
18	5	0301895	GREASE FITTING, STR 1/8" NPT
19	6 FT.	0301949	HOSE, 3/8" OD SYN FLEX 100'
20	3	0303892	SLIDE PAD, BOOM SIDE
21	1	0306746	CYLINDER, FOLD
22	2	0307351	SLIDE PAD, SDU/4 U/L
23	2	0307378	CYLINDER, TILT SDU/4
24	6	0400126	SCREW, 3/8"-16 X 1" HEX HD CAP GR5 ZP
25	1	0400219	SCREW, 1/2"-13 X 4-1/2" HEX HD CAP GR5 ZP
26	4	0400248	SCREW, 5/8"-11 X 1" HEX HD CAP GR8 ZP
27	1	0400408	NUT, 1/2"-13 NYLOK HEX ZP
28	4	0400508	LOCKWASHER, 5/8" HELICAL ZP
29	2	0703734	SHIM, SIDE PLATE, OUTER BOOM
30	1	0806756	PIN
31	1	0714209	PIN, PIVOT
32	1	0714218	PIN, TILT CYLINDER
33	1	0714240	PIN, FOLD CYLINDER
34	1	0717919	PIN, LIFT CYLINDER
35	1	0807204	MAST, SDU/4 OUTER WELDMENT
36	1	0806658	MAST, SDU/4 INNER WELDMENT
37	2	9012549	CONNECTOR-MALE 3/8TUBEX1
38	2	9012552	BULKHEAD COUPLING-1/8 P
39	2	9012584	ELBOW-1/4NPT X 3/8TUBE 9
40	4	9044434	SCREW, 3/8"-16 X 1" NC FLAT
41	2	945030004	UPPER WEAR PAD, RECOVERY
42	1	HC0159	CYLINDER, LIFT
43	2	HD0152	SNAP RING, 3" INTERNAL
44	2	0718912	SHIM, VERTICAL BOOM GUIDE
45	1	0307106	FITTING, CONNECTOR 4MB-6FB
46	1	0307107	VALVE, HOLDING 4000 PSI SAE

Section II - PARTS (cont'd)

SDU/4 ASSEMBLY



mi1075_0004_r00

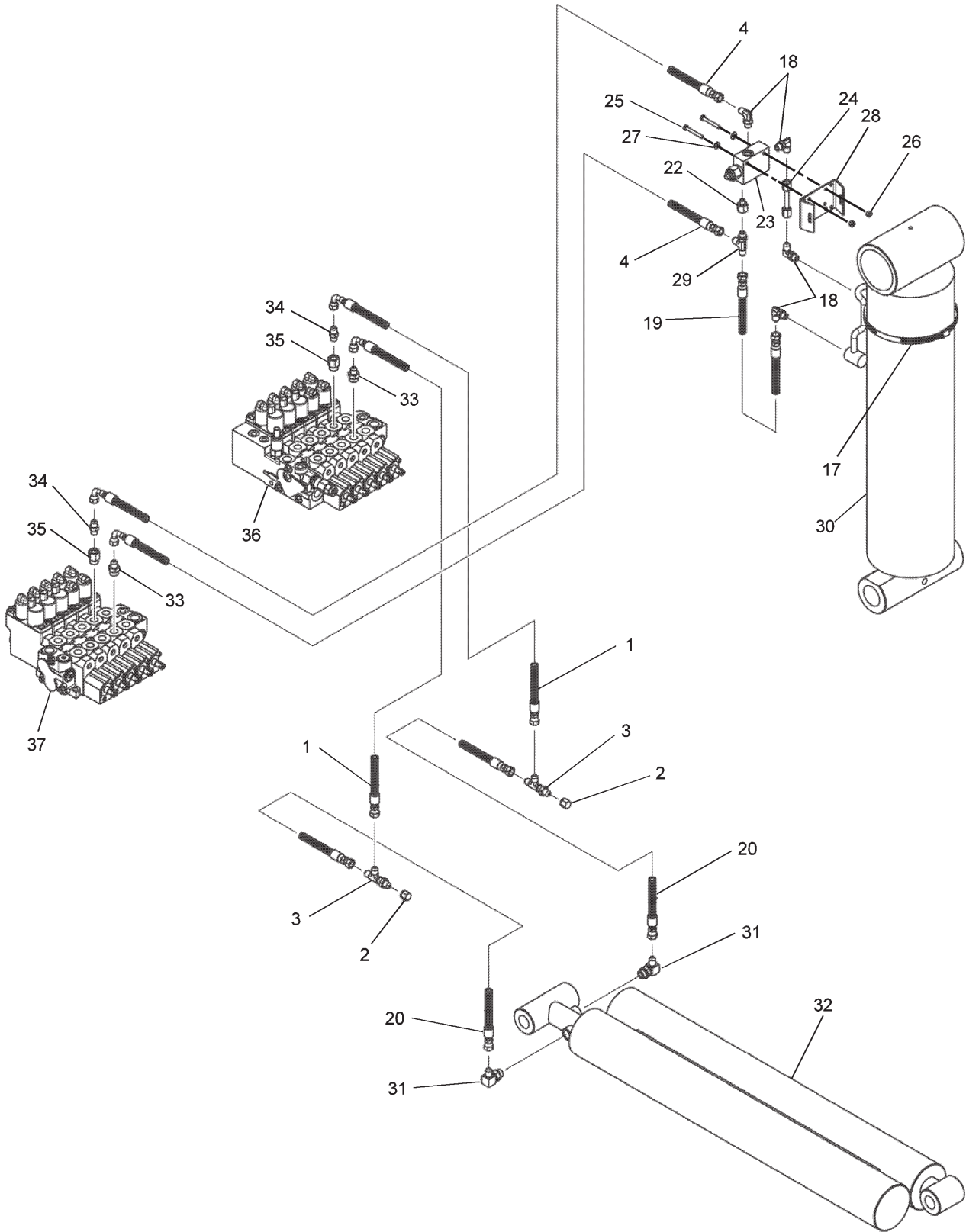
Section II - PARTS (cont'd)

SDU/4 ASSEMBLY

REF. NO.	NO. REQ'D	PART NUMBER	DESCRIPTION
--	--	0909047	UNDERLIFT SDU/4 ASSY (cont'd)
47	4	0400078	SCREW, 1/4"-20 X 2" HEX HD CAP GR5 ZP
48	4	0400367	NUT, 1/4"-20 NYLOK HEX ZP
49	1	0703001	BRACKET, MOUNTING, CHECK VALVE
--	--	0903156	CROSSBAR ASSEMBLY, 5"
50	1	0301197	COMP. SPRING, CROSSBAR, FI
51	1	0301398	STEEL BALL, 1-3/16" DIA
52	1	0301822	O-RING, PIVOT PIN
53	1	0303097	THRUST WASHER, 1/8" THK
54	1	0303098	THRUST WASHER, 1/16" THK
55	2	0400271	SCREW, 5/8"-11 X 4-1/2" SKT HD CAP
56	2	0400508	LOCKWASHER, 5/8" HELICAL ZP
57	1	0708470	SPACER, DETENT BALL SPRING
58	1	0710051	PIN, TOP HALF PIVOT
59	1	0710052	PIN, BOTTOM HALF PIVOT
60	1	0802914	CROSSBAR WELDMENT
--	--	0907810	BOOM, SDU/4 HORTZ ASSY
61	8	0300113	GREASE FITTING, 1/4"-28 STRAIGHT
62	3	0301817	SLIDE PAD, HORIZ BOOM NYL
63	2	0301818	SLIDE PAD, HORIZ BOOM
64	2	0302538	BUSHING, STINGER
65	1	0303501	CYLINDER, EXTEND
66	2	0400139	SCREW, 3/8"-16 X 1-1/2" HEX SKT SET
67	6	0400151	SCREW, 3/8"-24 X 3/4" HEX HD CAP GR5 ZP
68	4	0400196	SCREW, 1/2"-13 X 1-1/4" SOCKET HD
69	4	0400228	SCREW, 3/8"-24 X 5/8" BUTTON HEAD
70	2	0400392	NUT, 3/8"-16 NYLOK HEX ZINC
71	6	0400481	LOCKWASHER, 3/8" EXT. TOOTH
72	1	0719515	PLATE, STOP
73	2	0707034	PLATE, STOP
74	2	0710450	BAR, RETRACT
75	1	0718764	SHAFT, EXTEND CYLINDER
76	1	0712195	SHAFT, EXTEND CYLINDER
77	1	0803441	2ND STAGE BOOM WELDMENT
78	1	0806656	OUTER BOOM WELDMENT
79	2	BK2003	PAD, WEAR
80	2	0307013	PAD, WEAR
81	8	0400990	SCREW, 1/2"-13 X 1/2", CUP PT, SKT SET
--	--	0903901	INNER BOOM ASSEMBLY
82	1	0303088	BUSHING, PIVOT PIN
83	8	0400044	DRIVE SCREW, #10 X 1/2" RD HD
84	2	0703277	PAD, SLIDER
85	1	0803442	INNER BOOM WELDMENT
86	8	9043973	SCREW, 5/16"-18 X 1 1/2" FL HD SOC
87	2	805040011	VERTICAL BOOM GUIDE PAD
88	4	0400451	WASHER, 1/4" FLAT ZP
89	6	0400482	LOCKWASHER, 3/8" HELICAL ZP

Section II - PARTS (cont'd)

SDU/4 LIFT & EXTEND HYDRAULICS

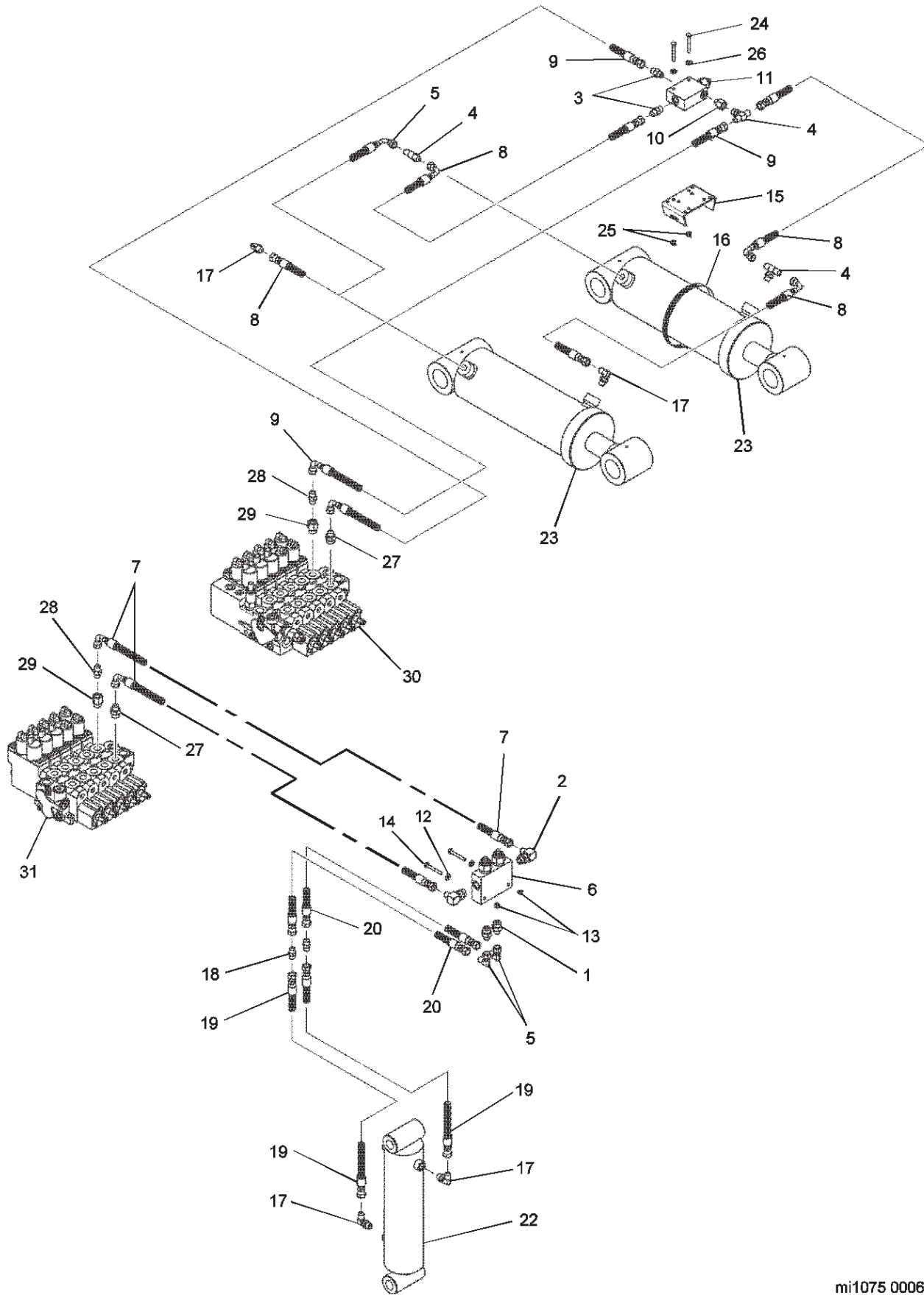


Section II - PARTS (cont'd)
SDU/4 LIFT & EXTEND HYDRAULICS

REF. NO.	NO. REQ'D	PART NUMBER	DESCRIPTION
--	--	0904652	INSTALLATION, SDU/4 FIXED & ROTATOR
1	2	0301998	HOSE ASSEMBLY, 24"
2	2	0302065	CAP ADAPTER
3	2	0302575	BULKHEAD RUN TEE
4	2	0303170	HOSE ASSEMBLY, 75"
--	--	0904785	HOSE TENSION KIT (NOT SHOWN)
5	4	0400082	EYE BOLT, 1/4"-20 X 1-1/8
6	6	0400191	SCREW, 1/2"-13 X 3-3/4" HEX HD CAP GR5 ZP
7	2	0400366	NUT, 1/4"-20 HEX ZP
8	4	0400367	NUT, 1/4"-20 NYLOK HEX ZP
9	6	0400408	NUT, 1/2"-20 NYLOK PLATED
10	2	0400451	WASHER, 1/4" FLAT ZP
11	2	0700188	BRACKET, BULKHEAD
12	4	0703484	PULLEY, HOSE TENSIONER
13	2	0703487	BRACKET, HOSE TENSIONER PULLEY
14	8	0703488	WASHER, HOSE TENSIONER PULLEY
15	4	0714388	ANGLE, NYLON SHEAVE
16	2	AWS-1011-A	SPRING CLAW
--	--	0909047	UNDERLIFT ASSEMBLY, SDU/4
17	1	0300644	HOSE CLAMP, 8"
18	4	0301620	ELBOW, 6MJ-6MB90
19	1	0302000	HOSE ASSEMBLY, 24"
20	2	0303187	HOSE ASSEMBLY, 141"
21	45 FT.	0303193	BLACK SKUFF JACKET SJ16 (NOT SHOWN)
22	1	0307106	CONNECTOR, 4MB-6FB
23	1	0307107	HOLDING VALVE, 4000 PSI SAE
24	1	0307417	TUBE ASSY, 3/8" OD X .035" W X 3"
25	2	0400078	SCREW, 1/4"-20 X 2" HEX HD CAP GR5 ZP
26	4	0400367	NUT, 1/4"-20 NYLOK HEX ZP
27	2	0400451	WASHER, 1/4" FLAT ZP
28	1	0703001	MOUNTING BRACKET, CHECK VALVE
29	1	9012594	RUN TEE, 6MJ-6MB-6MJ
30	1	HC0159	UNDERLIFT LIFT CYLINDER
--	--	0907810	HORIZONTAL BOOM ASSEMBLY, SDU/4
31	2	0301470	ELBOW, 6MJ-8MB90
32	1	0303501	UNDERLIFT EXTEND CYLINDER
--	--	0908137	PROPORTIONAL CONTROL VALVE KIT
33	2	0300044	CONNECTOR, 6MJ-8MB
34	2	0301522	CONNECTOR, 6MJ-6MB
35	2	0303017	CONNECTOR, 8MB-6FB
36	1	0310101	VALVE, PROPORTIONAL CONTROL
37	1	0310103	VALVE, PROPORTIONAL CONTROL

Section II - PARTS (cont'd)

SDU/4 TILT & FOLD HYDRAULICS



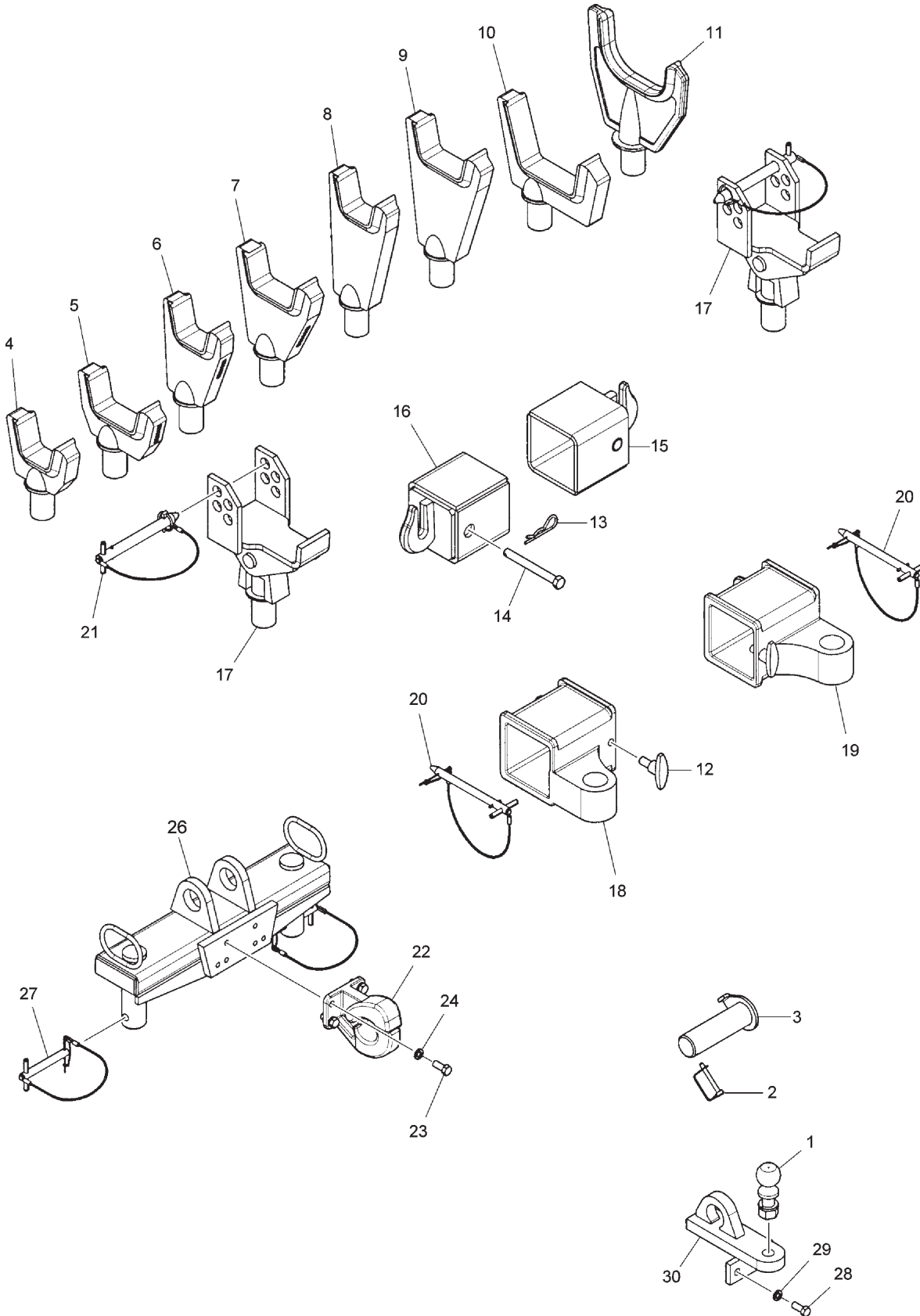
mi1075 0006 r00

Section II - PARTS (cont'd)
SDU/4 TILT & FOLD HYDRAULICS

REF. NO.	NO. REQ'D	PART NUMBER	DESCRIPTION
--	--	0904652	INSTALLATION SDU/4 FIXED & ROTATOR
1	2	0300044	CONNECTOR, 6MJ-8MB
2	2	0301470	ELBOW, 6MJ-8MB90
3	2	0301522	CONNECTOR, 6MJ-6MB
4	3	0301619	BRANCH TEE, 6MJ-6MJ-6MB
5	2	0301696	ELBOW, 6MJ-6FJX90
6	1	0301730	VALVE, DOUBLE HOLDING
7	2	0301998	HOSE ASSEMBLY, 24"
8	4	0302808	HOSE ASSEMBLY, 18"
9	2	0303389	HOSE ASSEMBLY, 46"
10	1	0307106	CONNECTOR, 4MB-6FB
11	1	0307107	VALVE, HOLDING 4000 PSI SAE
12	2	0400078	SCREW, 1/4"-20 X 2" HEX HD CAP GR5 ZP
13	4	0400367	NUT, 1/4"-20 NYLOK HEX ZP
14	2	0400451	WASHER, 1/4" FLAT ZP
15	1	0703001	MOUNTING BRACKET, CHECK VALVE
--	--	0909047	UNDERLIFT SDU/4 ASSEMBLY
16	1	0300365	HOSE CLAMP, 7"
17	4	0301620	ELBOW, 6MJ-6MB90
18	2	0301837	INLINE ORIFICE
19	2	0301997	HOSE ASSEMBLY, 18"
20	2	0302813	HOSE ASSEMBLY, 108"
21	45 FT.	0303193	BLACK SCUFF JACKET SJ16 (Not Shown)
22	1	0306746	UNDERLIFT FOLD CYLINDER
23	2	0307378	UNDERLIFT TILT CYLINDER
24	2	0400078	SCREW, 1/4"-20 X 2" HEX HD CAP GR5 ZP
25	4	0400367	NUT, 1/4"-20 NYLOK HEX ZP
26	2	0400451	WASHER, 1/4" FLAT ZP
--	--	0908137	PROPORTIONAL CONTROL VALVE KIT
27	2	0300044	CONNECTOR, 6MJ-8MB
28	2	0301522	CONNECTOR, 6MJ-6MB
29	2	0303017	CONNECTOR, 8MB-6FB
30	1	0310101	VALVE, PROPORTIONAL CONTROL
31	1	0310103	VALVE, PROPORTIONAL CONTROL

Section II - PARTS (cont'd)

SDU/4 LIFT ADAPTERS



mi1075_0003_r00

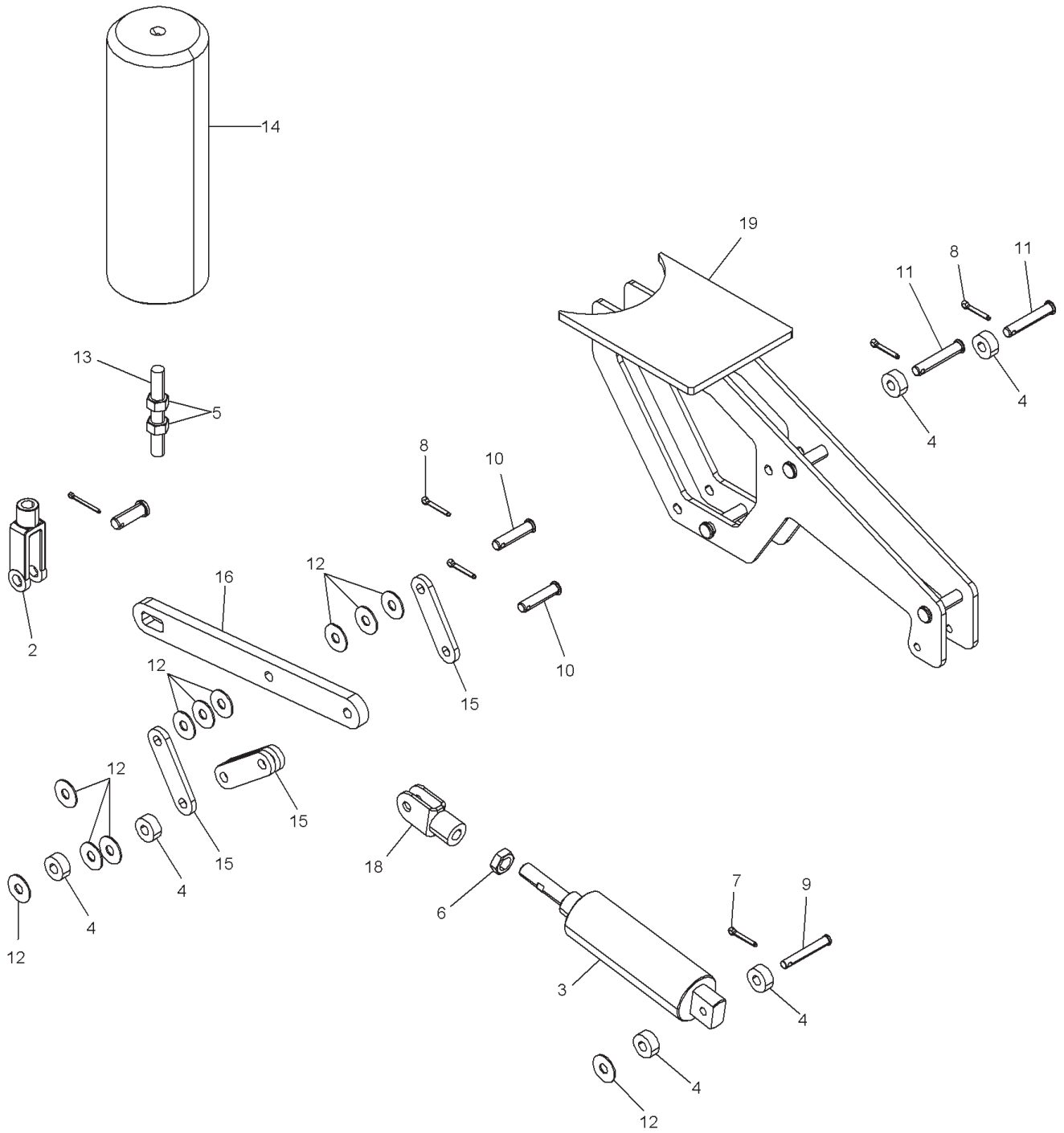
Section II - PARTS (cont'd)

SDU/4 LIFT ADAPTERS

REF. NO.	NO. REQ'D	PART NUMBER	DESCRIPTION
1	1	0300091	TRAILER BALL, 2"
2	1	HD1259	SAFETY SNAP PIN
3	1	VA0662	PIVOT PIN WELDMENT
--	--	0906613	STANDARD FORK KIT, SDU
4	2	0200018	FORK, SHORT 3" OPENING
5	2	0200019	FORK, SHORT 4-1/2" OPENING
6	2	0200020	FORK, MEDIUM 3" OPENING
7	2	0200021	FORK, MEDIUM 4-1/2" OPENING
8	2	0200022	FORK, LONG 3" OPENING
9	2	0200023	FORK, LONG 4-1/2" OPENING
10	2	0200024	FORK, OFFSET REAR AXLE
11	2	0200042	FORK, MEDIUM ROUND AXLE
12	2	0306564	ALUM T HANDLE, 5/8 X 1-1/4
13	2	0400585	COTTER PIN, 1-1/4" HAIR PIN
14	2	0711002	BOLT, MODIFIED
15	1	0801186	HDU CHAIN ADAPTER, RT
16	1	0801187	HDU CHAIN ADAPTER, LT
17	2	0802810	PIVOT SPRING LIFT BRACKET
18	1	0803591	FORK ADAPTER, LEFT
19	1	0803592	FORK ADAPTER, RIGHT
20	2	0900900	RETAINER PIN ASSEMBLY
21	2	0902321	RETAINER PIN, SPRING LIFT
--	--	124002211	PINTLE HOOK KIT
22	1	0302198	PINTLE HOOK
23	4	0400177	SCREW, 1/2"-13 X 1-1/4" HEX HD CAP GR5 ZP
24	4	0400491	LOCKWASHER, 1/2" HELICAL ZP
25	1	0500241	DECAL, SAFETY CHAIN WARNING (Not Shown)
26	1	0803831	5TH WHEEL & KING PIN ADAPTER
27	2	0902378	RETAINER PIN ASSEMBLY
--	--	124002431	TRAILER BALL KIT
28	2	0400177	SCREW, 1/2"-13 X 1-1/4" HEX HD CAP GR5 ZP
29	2	0400491	LOCKWASHER, 1/2" HELICAL ZP
30	1	0804396	TRAILER BALL BRACKET WELDMENT

Section II - PARTS (cont'd)

ROTATOR PINLOCK ASSEMBLY



mi1075_0002_r00

Section II - PARTS (cont'd)
ROTATOR PINLOCK ASSEMBLY

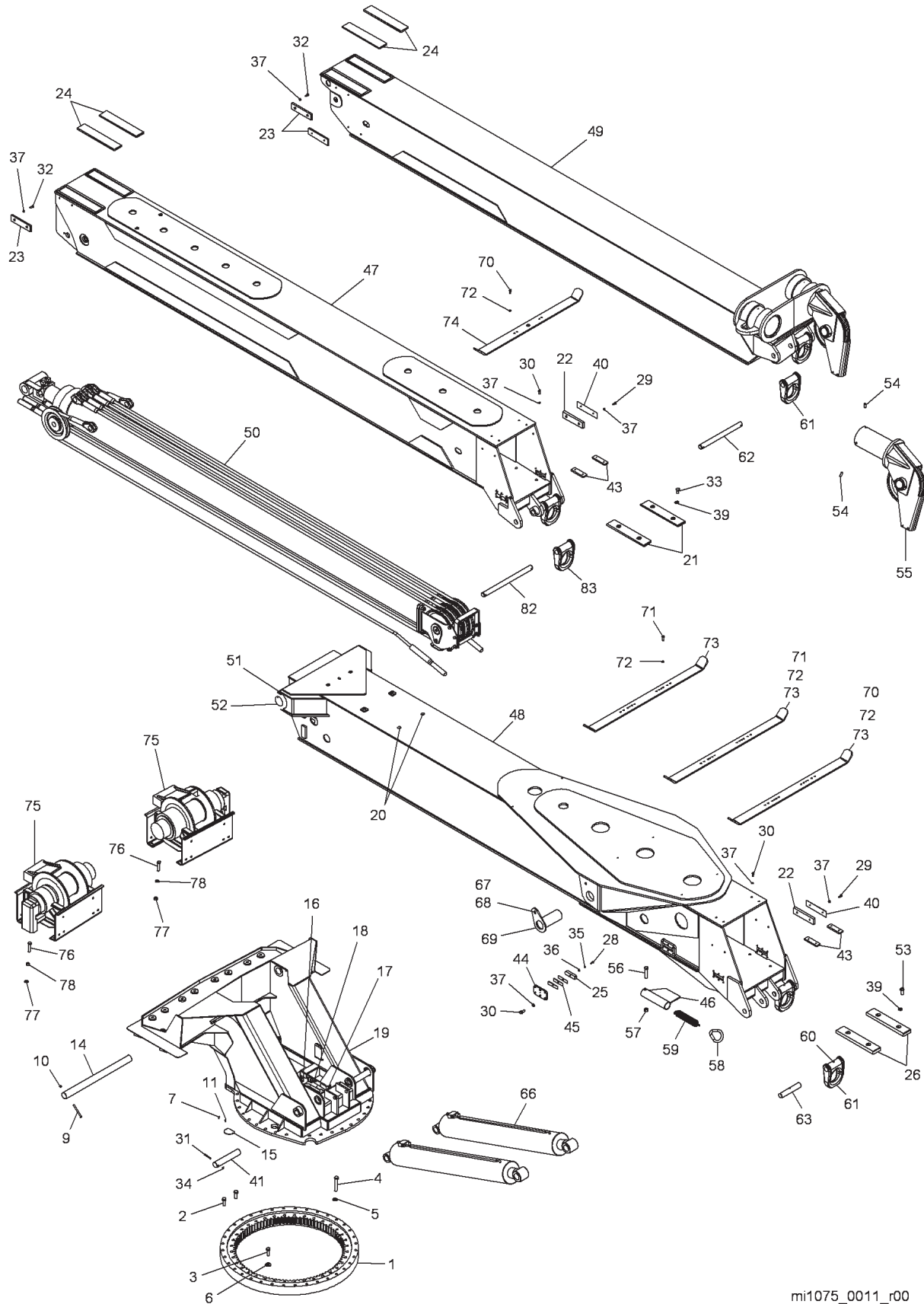
REF. NO.	NO. REQ'D	PART NUMBER	DESCRIPTION
1	25 FT.	0301577	PLASTIC TUBING, 1/4" O.D. BLK (Not Shown)
2	1	0302231	ADJUSTABLE CLEVIS, 3/8" AC-218
3	1	0306698	AIR CYLINDER, 1.5 BORE / 1.71 STROKE
4	6	0307612	NYLON SPACER, 5/16" THK X 5/16" ID
5	2	0400388	NUT, 3/8"-24 HEX ZP
6	1	0400401	NUT, 7/16"-20 HEX JAM PL
7	1	0400540	COTTER PIN, 3/32" X 1"
8	4	0400543	COTTER PIN, 1/8" X 3/4"
9	1	0400663	CLEVIS PIN, 1/4" X 1 3/4" ZP
10	2	0400666	CLEVIS PIN, 5/16" X 1 3/8" ZP
11	2	0400664	CLEVIS PIN, 5/16" X 1 3/4" ZP
12	8	0402117	WASHER, 5/16" FLAT 316SS
13	1	0705698	ALLTHREAD CONNECTOR
14	1	0709331	RETAINING PIN, HOUSE LOCK
15	4	0718297	BAR LINK, PIN LOCK
16	1	0718298	BAR LEVER, PIN LOCK
17	1	0803056	HOUSE LOCK COVER WELDMENT (Not Shown)
18	1	0803181	CLEVIS WELDMENT
19	1	0806871	PIN LOCK WELDMENT
20	2	9010030	BRASS ELBOW, 1/4T-1/8MP (Not Shown)

Section II - PARTS (cont'd)
3-STAGE RECOVERY BOOM ASSEMBLY

REF. NO.	NO. REQ'D	PART NUMBER	DESCRIPTION
1	1	0303026	SLEW RING, 1075S
--	--	0903042	WRECKER MOUNTING KIT
2	2	0400318	SCREW, 1"-8 X 3" SKT HD CAP
3	33	0400336	SCREW, 1"-8 X 3" HEX HD CAP GR8 ZP
4	36	0400338	SCREW, 1"-8 X 6-1/2" HEX HD CAP GR8 ZP
5	36	0400522	WASHER, 1-1/16" X 2" X 1/8" FLAT ZP
6	33	0400523	WASHER, 1-1/16" X 2-1/2" X 1/8" FLAT ZP
--	--	0908504	WRECKER FRAME ASSEMBLY 1075S
7	12	0400066	SCREW, 1/4"-20 X 3/4" HEX HD CAP GR5 ZP
8	2	0400120	SCREW, 3/8"-16 X 1/2" ALLEN HD SET (Not Shown)
9	1	0400180	SCREW, 1/2"-13 X 6" HEX HD CAP GR5 ZP
10	1	0400408	NUT, 1/2"-13 NYLOK HEX ZP
11	6	0400451	WASHER, 1/4" FLAT ZP
12	12	0400452	LOCKWASHER, 1/4" HELICAL (Not Shown)
13	2	0400482	LOCKWASHER, 3/8" HELICAL ZP (Not Shown)
14	1	0703738	SHAFT, BOOM
15	2	0719762	PLATE, ACCESS COVER
16	2	0719349	ANGLE, MOUNTING
17	2	0719753	ANGLE, MOUNTING
18	2	0803721	LOCK WELDMENT
19	1	0806921	WRECKER FRAME WELDMENT 1075S
--	--	0908503	3-STAGE BOOM ASSEMBLY
20	6	0300113	GREASE FITTING, 1/4"-28 STRAIGHT
21	2	0301923	SLIDE PAD, BOOM BOTTOM
22	8	0301924	SLIDE PAD, BOOM SIDE
23	4	0303892	SLIDE PAD, BOOM SIDE
24	4	0305031	INNER BOOM SLIDE PAD
25	8	0306825	SLIDE PAD 3/4" X 1" X 4"
26	2	0307234	SLIDE PAD
27	6	0400059	SCREW, 1/4"-20 X 5/8" HEX HD CAP GR5 ZP (Not Shown)
28	8	0400066	SCREW, 1/4"-20 X 3/4" HEX HD CAP GR5 ZP
29	12	0400121	SCREW, 3/8"-16 X 3/4" HEX HD CAP GR5 ZP
30	36	0400126	SCREW, 3/8"-16 X 1" HEX HD CAP GR5 ZP
31	2	0400206	SCREW, 3/8"-16 X 3-1/2" HEX HD CAP GR5 ZP
32	36	0400141	SCREW, 3/8"-16 X 7/8" HEX HD CAP GR5 ZP
33	4	0400248	SCREW, 5/8"-11 X 1" HEX HD CAP GR5 ZP
34	2	0400408	NUT, 3/8"-16 NYLOK HEX ZP
35	8	0400451	WASHER, 1/4" FLAT ZP
36	8	0400452	LOCKWASHER, 1/4" HELICAL
37	28	0400482	LOCKWASHER, 3/8" HELICAL ZP
38	48	0400491	LOCKWASHER, 1/2" HELICAL ZP (Not Shown)
39	8	0400508	LOCKWASHER, 5/8" HELICAL ZP
40	10	0703734	SHIM, SIDE PLATE, OUTER BOOM
41	2	0718495	SHAFT, CYLINDER PIVOT
42	10	0711913	PAD, SHIM WEAR (Not Shown)
43	4	0717260	TOP SPACER
44	8	0718466	PLATE, SLIDE PAD SUPPORT
45	12	0717262	SHIM, SLIDE PAD
46	2	0801788	CABLE TIE BACK WELDMENT

Section II - PARTS (cont'd)

3-STAGE RECOVERY BOOM ASSEMBLY



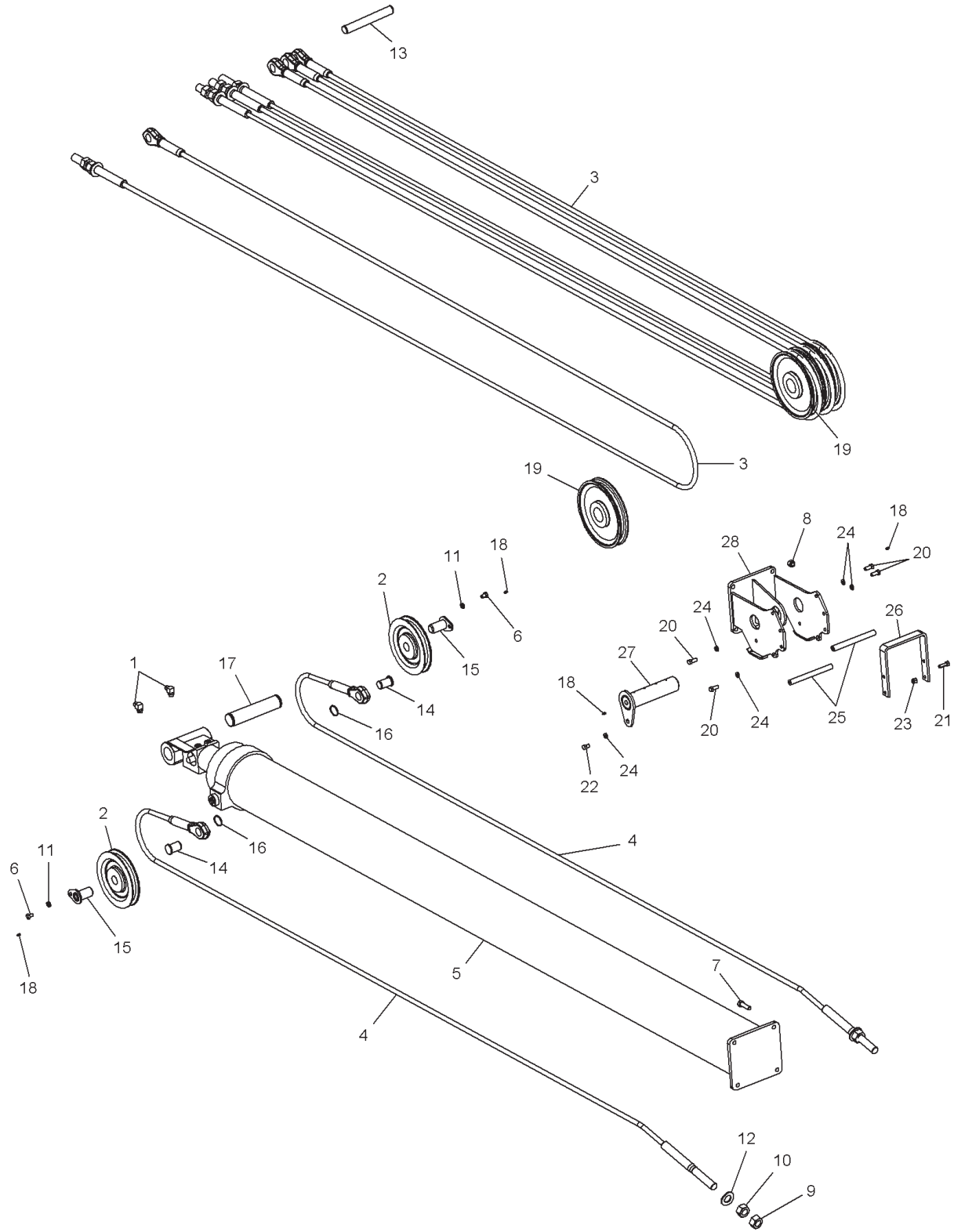
mi1075_0011_r00

Section II - PARTS (cont'd)
3-STAGE RECOVERY BOOM ASSEMBLY

REF. NO.	NO. REQ'D	PART NUMBER	DESCRIPTION
--	--	0711913	PAD, SHIM WEAR (Not Shown) (cont'd)
47	1	0806916	SECOND STAGE BOOM WELDMENT, 3 STAGE
48	1	0806915	OUTER BOOM WELDMENT
49	1	0806917	THIRD STAGE BOOM WELDMENT, 3 STAGE
50	1	0908502	3 STAGE EXTENSION SYSTEM ASSEMBLY
51	2	0305023	SNAP RING, 5100-0225PP
52	1	0703740	SHAFT, EXTEND CYLINDER
53	4	9043950	SCREW, 5/8" NC X 1-1/2" HEX HD CAP PL GR8
--	--	0906536	BOOM SWIVEL KIT
54	6	0400557	ROLL PIN, 1/2" X 1-1/4" ZP
55	2	0906537	BOOM SWIVEL ASSEMBLY
--	--	0906572	WINCH CABLE STOW KIT
56	2	0400265	SCREW, 5/8"-11 X 4" HEX HD CAP, GR5 ZP
57	2	0400421	NUT, 5/8"-11 NYLOK HEX ZP
58	2	9048800	WELDLESS CHAIN LINK, 5/8"
59	2	945030007	CABLE TIE BACK SPRING, 1"
--	--	0907006	"D" RINGS, INNER & OUTER
60	4	0300113	GREASE FITTING 1/4"-28 STRAIGHT
61	4	0719585	TOWING "D" RING
62	1	0710638	PIN, "D" RING
63	2	GA0215	PIN, "D" RING
--	--	0908957	LIFT CYLINDER KIT
64	4	0300113	GREASE FITTING 1/4"-28 STRAIGHT
65	15	0303193	BLACK SCUFF JACKETS J16
66	2	0307628	CYLINDER, BOOM LIFT
67	2	0400122	SCREW, 3/8"-16 X 1.25" HEX HD CAP GR5 ZP
68	2	0400392	NUT, 3/8"-16 NYLOK HEX ZP
69	2	0718495	SHAFT, LIFT CYLINDER PIVOT
--	--	0908443	WINCH CABLE SUPPORT WING
70	4	0400122	SCREW, 3/8"-16 X 1-1/4" HEX HD CAP GR5 ZP
71	4	0400141	SCREW, 3/8"-16 X 7/8" HEX HD CAP GR5 ZP
72	8	0400482	LOCKWASHER, 3/8" HELICAL ZP (Not Shown)
73	3	0706042	CABLE WING, LONG
74	1	0706043	CABLE WING, MEDIUM
--	--	0906903	WINCH KIT 9907 & 9909
75	2	0303507	WINCH, 60K-2 SPEED DP W/TENSIO
76	16	0400307	SCREW, 7/8"-9 X 4" HEX HD CAP GR8 GOLD
77	16	0400437	NUT, 7/8"-9 NYLOK HEX GR8 ZP
78	16	0400513	WASHER, 7/8" FLAT ZP
--	--	0908727	KIT, D-RING 2ND STAGE - WIDE
79	2	0300113	GREASE FITTING, 1/4"-28 STRAIGHT (Not Shown)
80	2	0301895	GREASE FITTING, STR 1/8 PTF (Not Shown)
81	2	0400564	3/8" X 1-3/4" ROLL PIN ZP (Not Shown)
82	1	0710651	SHAFT - "D" RING
83	2	0719585	D-RING, TOWING

Section II - PARTS (cont'd)

3-STAGE EXTENSION SYSTEM ASSEMBLY



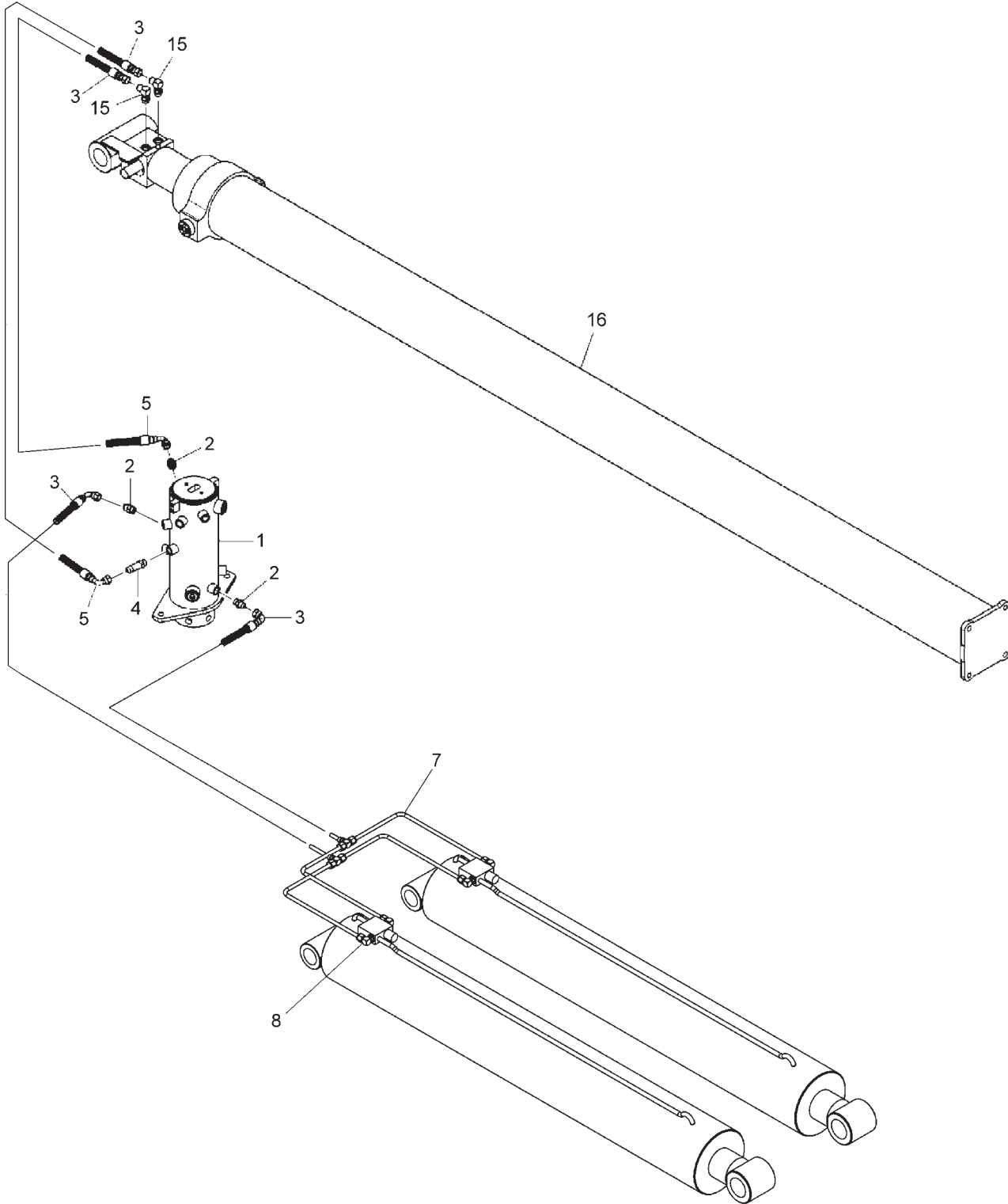
Section II - PARTS (cont'd)

3-STAGE EXTENSION SYSTEM ASSEMBLY

REF. NO.	NO. REQ'D	PART NUMBER	DESCRIPTION
--	--	0908502	3-STAGE EXTENSION SYSTEM ASSEMBLY
1	2	0301388	FITTING, 90ELL, 8MJ-8MB90
2	2	0303441	SHEAVE, 10" DIA. X 1.1/2" BORE
3	4	0307630	EXTEND CABLE ASSEMBLY
4	2	0307631	RETRACT CABLE ASSEMBLY
5	1	0307591	BOOM EXTEND CYLINDER, 3-STAGE
6	2	0400239	SCREW, 1/2"-13 X 3/4 HEX HD CAP, GR5
7	4	0400264	SCREW, 5/8"-11 X 2-1/4" HEX HD CAP GR5 ZP
8	4	0400421	NUT, 5/8"-11 NYLOK HEX ZP
9	6	0400448	NUT, 1-1/4"-12 HEX JAM
10	6	0400461	NUT, 1-1/4"-12 HEX GR8 PL
11	2	0400491	LOCKWASHER, 1/2" HELICAL ZP
12	6	0400501	WASHER, 1-1/4" SAE HARDENED PL
13	1	0718465	PIN, EXTEND CABLE
14	1	0717259	PIN, RETRACT CABLE
15	2	0806506	SHAFT, RETRACT SHEAVE WELDMENT
16	2	0305023	SNAP RING, 5100-0225PP
17	1	0703740	SHAFT, EXTEND CYLINDER
--	--	0908501	EXTEND SHEAVE SUBASSEMBLY
18	4	0300113	GREASE FITTING, 1/4"-28 STRAIGHT
19	4	0300311	SHEAVE, 12-10-1BB 10
20	4	0400177	SCREW, 1/2"-13 X 1-1/4" HEX HD CAP GR5 ZP
21	4	0400181	SCREW, 1/2"-13 X 1-1/2" HEX HD CAP GR5 ZP
22	1	0400239	SCREW, 1/2"-13 X 3/4" HEX HD CAP GR5
23	4	0400408	NUT, 1/2"-13 NYLOK HEX ZP
24	5	0400491	LOCKWASHER, 1/2" HELICAL ZP
25	2	0718743	ROD, EXTEND SHEAVE SPACER
26	1	0718744	BAR, KICK
27	1	0806919	SHAFT, EXTEND SHEAVE WELDMENT
28	1	0806993	EXTEND SHEAVE BRACKET WELDMENT

Section II - PARTS (cont'd)

3-STAGE RECOVERY BOOM HYDRAULICS



mi1075_0008_r00

Section II - PARTS (cont'd)

3-STAGE RECOVERY BOOM HYDRAULICS

REF. NO.	NO. REQ'D	PART NUMBER	DESCRIPTION
--	--	0909011	HYDRAULIC ROTARY SWIVEL ASSEMBLY
1	1	0310083	HYDRAULIC SWIVEL
2	3	0300041	CONNECTOR, 8MJ-8MB
3	2	0301370	HOSE ASSEMBLY, LIFT CYLINDER, 64"
4	1	0301445	EXTENDED CONNECTOR, 8MJ-8MB
5	2	0301471	HOSE ASSEMBLY, 30"
--	--	0908957	LIFT CYLINDER KIT, 1075S
6	2	0300188	CLAMP, 1-1/2" HOSE (Not Shown)
7	4	0300659	HOSE, HYDRAULIC
8	4	0301388	FITTING, 90ELL, 8MJ-8MB90
9	1	0302574	FITTING, BULKHEAD RUN TEE (Not Shown)
10	15	0303193	BLACK SCUFF JACKETS J16 (Not Shown)
11	2	0400122	SCREW, 3/8"-16 X 1.25" HEX HD CAP GR5 ZP (Not Shown)
12	2	0400206	SCREW, 1/2"-13 X 5" HEX HD CAP GR5 ZP (Not Shown)
13	2	0400392	NUT, 3/8"-16 NYLOK HEX ZINC (Not Shown)
14	2	0400408	NUT, 1/2"-13 NYLOK HEX ZP (Not Shown)
15	2	0301388	ELBOW, 8MJ-8MB90
16	1	0307591	CYLINDER, BOOM EXTEND 1075S 3-STAGE

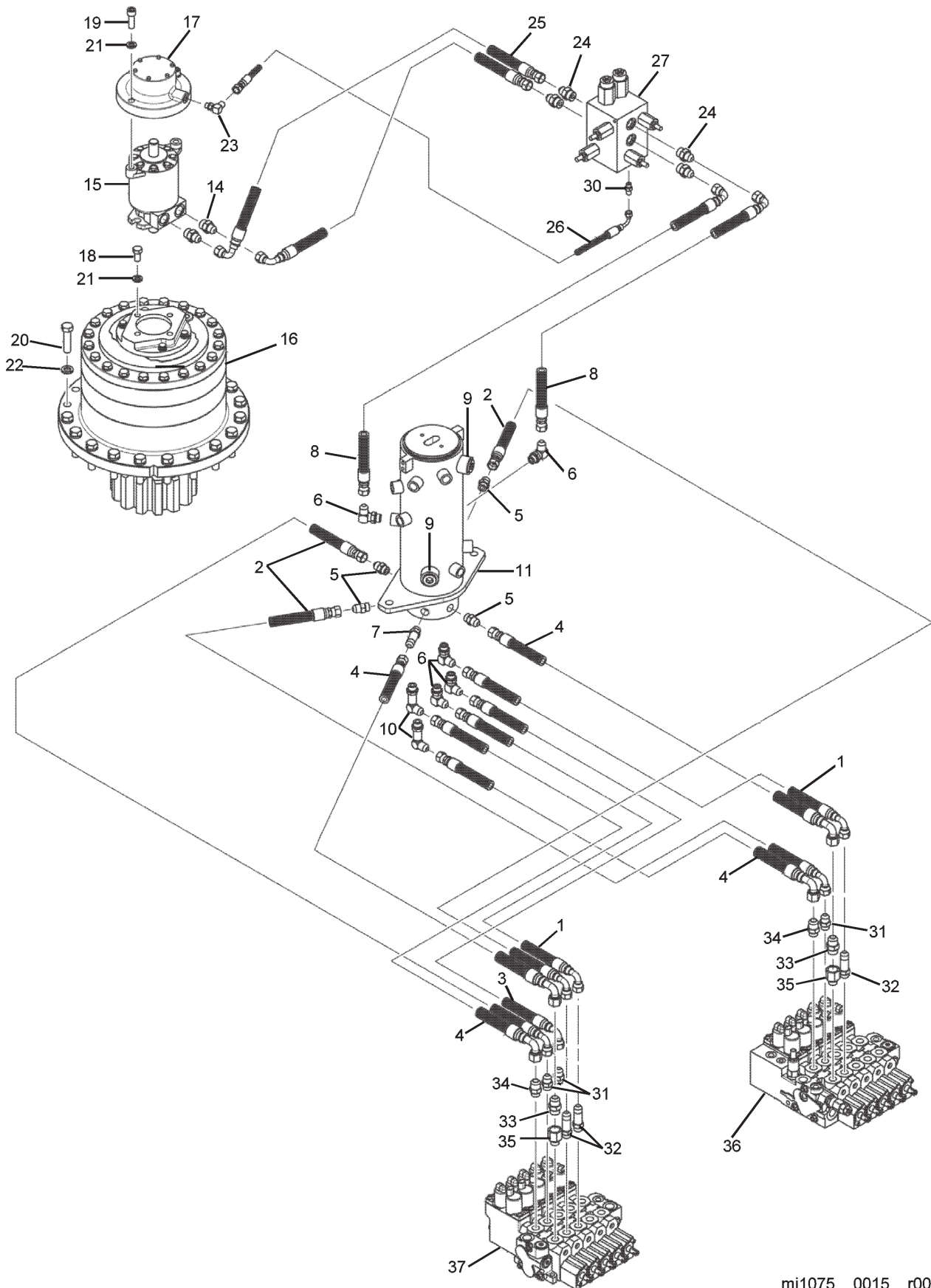
Section II - PARTS (cont'd)

WINCH HYDRAULICS & AIR FREE SPOOL

REF. NO.	NO. REQ'D	PART NUMBER	DESCRIPTION
--	--	0909011	HYDRAULIC ROTARY SWIVEL ASSEMBLY
1	4	0301388	ELBOW, 8MJ-8MB90
2	1	0310083	HYDRAULIC SWIVEL
3	3	0303189	HOSE ASSEMBLY, 105"
4	1	0303664	HOSE ASSEMBLY, 117"
5	2	9011053	CONNECTOR, 1/4" T - 1/4" MP BRASS
--	--	0906903	WINCH KIT, DP60K 2SPD WKR ROT
6	4	0300897	RUBBER GROMMET (Not Shown)
7	4	0301388	ELBOW, 8MJ-8MB90
8	35 FT.	0301577	PLASTIC TUBING, 1/4" O.D. BLACK
9	35	0302434	CABLE TIE, 4" (Not Shown)
10	35 FT.	0302495	CONVOLUTED LOOM, 1/4" (Not Shown)
11	2	0303507	WINCH, DP 60K TWO SPD
12	2	9010030	ELBOW, 1/4" T - 1/4" MP BRASS
--	--	0904183	AIR TENSIONER KIT
13	25 FT.	0301577	PLASTIC TUBING, 1/4" O.D. BLACK
14	25	0302434	CABLE TIE, 4" (Not Shown)
15	25 FT.	0302495	CONVOLUTED LOOM, 1/4" (Not Shown)
16	2	0400062	SCREW, 1/4"-20 X 3/4" THRD CUT HEX (Not Shown)
17	2	0700188	BULKHEAD BRACKET (Not Shown)
18	2	9010520	ELBOW, 1/4" T - 1/4" MP BRASS (Not Shown)

Section II - PARTS (cont'd)

RECOVERY BOOM FRAME HYDRAULICS



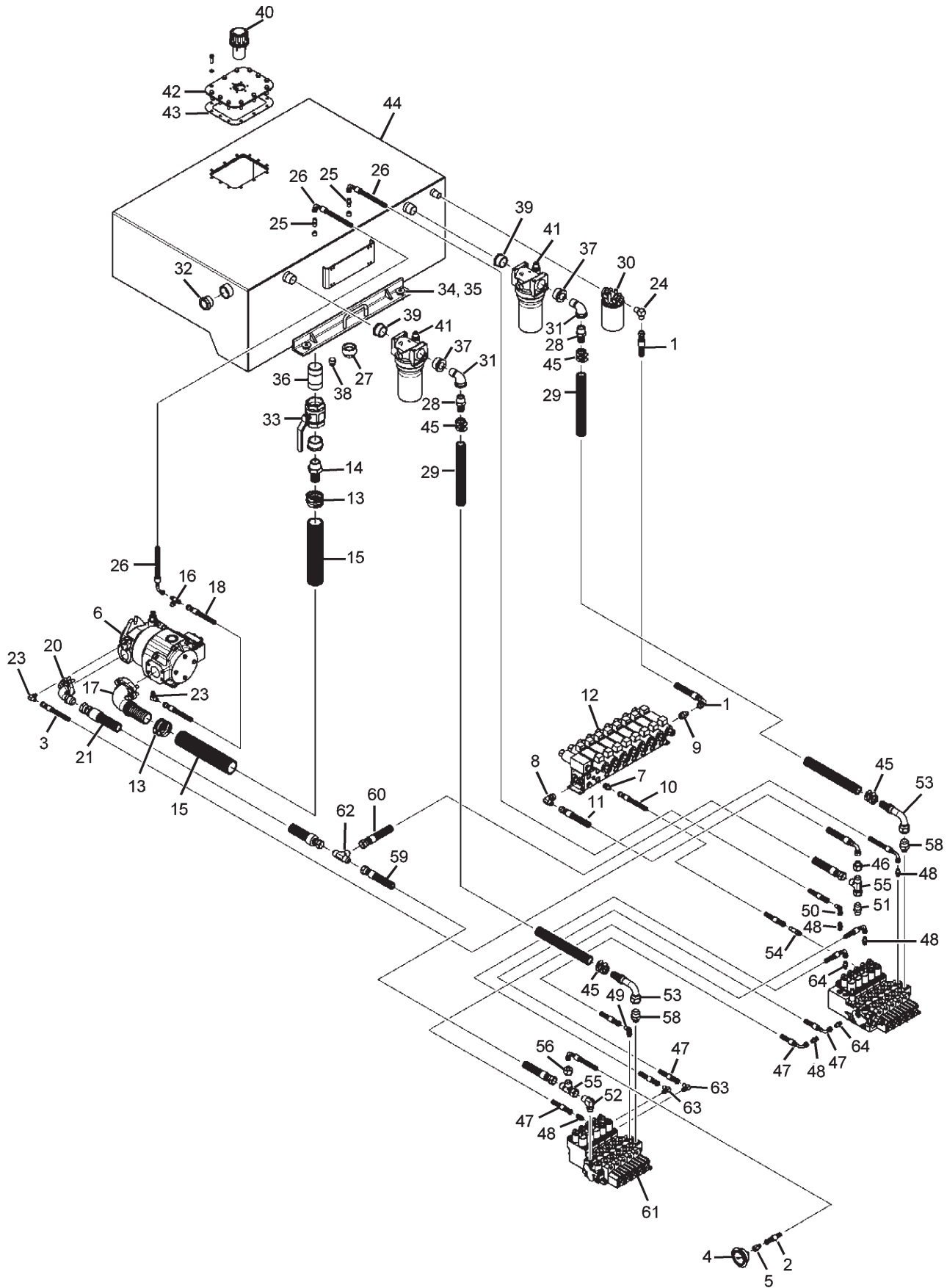
mi1075_0015_r00

Section II - PARTS (cont'd)
RECOVERY BOOM FRAME HYDRAULICS

REF. NO.	NO. REQ'D	PART NUMBER	DESCRIPTION
1	2	0300787	HOSE ASSEMBLY, 53"
2	3	0301370	HOSE ASSEMBLY, 65"
3	1	0303182	HOSE ASSEMBLY, 41"
4	4	0307777	HOSE ASSEMBLY, 52"
--	--	0909011	HYDRAULIC ROTARY SWIVEL ASSEMBLY
5	4	0300041	CONNECTOR, 8MJ-8MB
6	5	0301388	ELBOW, 8MJ-8MB90
7	1	0301445	EXTENDED CONNECTOR, 8MJ-8MBL
8	2	0301471	HOSE ASSEMBLY, 30"
9	4	0303886	PLUG, 4MB HEX SKT
10	2	0302508	ELBOW, 8MJ-8MB90LL
11	1	0310083	HYDRAULIC SWIVEL
12	2	0400272	SCREW, 5/8"-11 X 2" HEX HD CAP (Not Shown)
13	2	0400421	NUT, 5/8"-11 NYLOK HEX (Not Shown)
--	--	0907993	PLANETARY GEAR REDUCER WITH BRAKE & MOTOR
14	2	0301376	CONNECTOR, 8MJ-10MB
15	1	0306703	HYDRAULIC MOTOR
16	1	0307394	PLANETARY GEAR REDUCER
17	1	0307395	BRAKE, SWING DRIVE
18	2	0400176	SCREW, 1/2"-13 X 1" HEX HD CAP
19	2	0400238	SCREW, 1/2"-13 X 1-1/2" SKT HD CAP GR8
20	16	0400254	SCREW, 5/8"-11 X 2-1/2" HEX HD CAP
21	4	0400491	LOCKWASHER, 1/2" HELICAL
22	16	0400508	LOCKWASHER, 5/8" HELICAL
23	1	IC209	ADAPTER, 6MJ-4MB90
--	--	0907994	SWING VALVE KIT
24	4	0301376	CONNECTOR, 8MJ-10MB
25	2	0301790	HOSE ASSEMBLY, 15"
26	1	0303994	HOSE ASSEMBLY, 22"
27	1	0307396	SWING CONTROL VALVE
28	2	0400367	NUT, 1/4"-20 NYLOK HEX (Not Shown)
29	2	0400615	SCREW, 1/4"-20 X 4-1/2" HEX HD CAP (Not Shown)
30	1	HC1291	FITTING, 4MJ-4MB STR THR
--	--	0908137	PROPORTIONAL CONTROL VALVE KIT
31	3	0300044	CONNECTOR, 6MJ-8MB
32	3	0301445	EXTENDED CONNECTOR, 8MJ-8MBL
33	2	0302827	CONNECTOR, 10MJ-10MB
34	2	0303079	CONNECTOR, 10MJ-8MB
35	2	0306633	CONNECTOR, 8MB-10FB
36	1	0310101	VALVE, PROPORTIONAL CONTROL
37	1	0310103	VALVE, PROPORTIONAL CONTROL

Section II - PARTS (cont'd)

PUMP, VALVE & FILTER HYDRAULICS



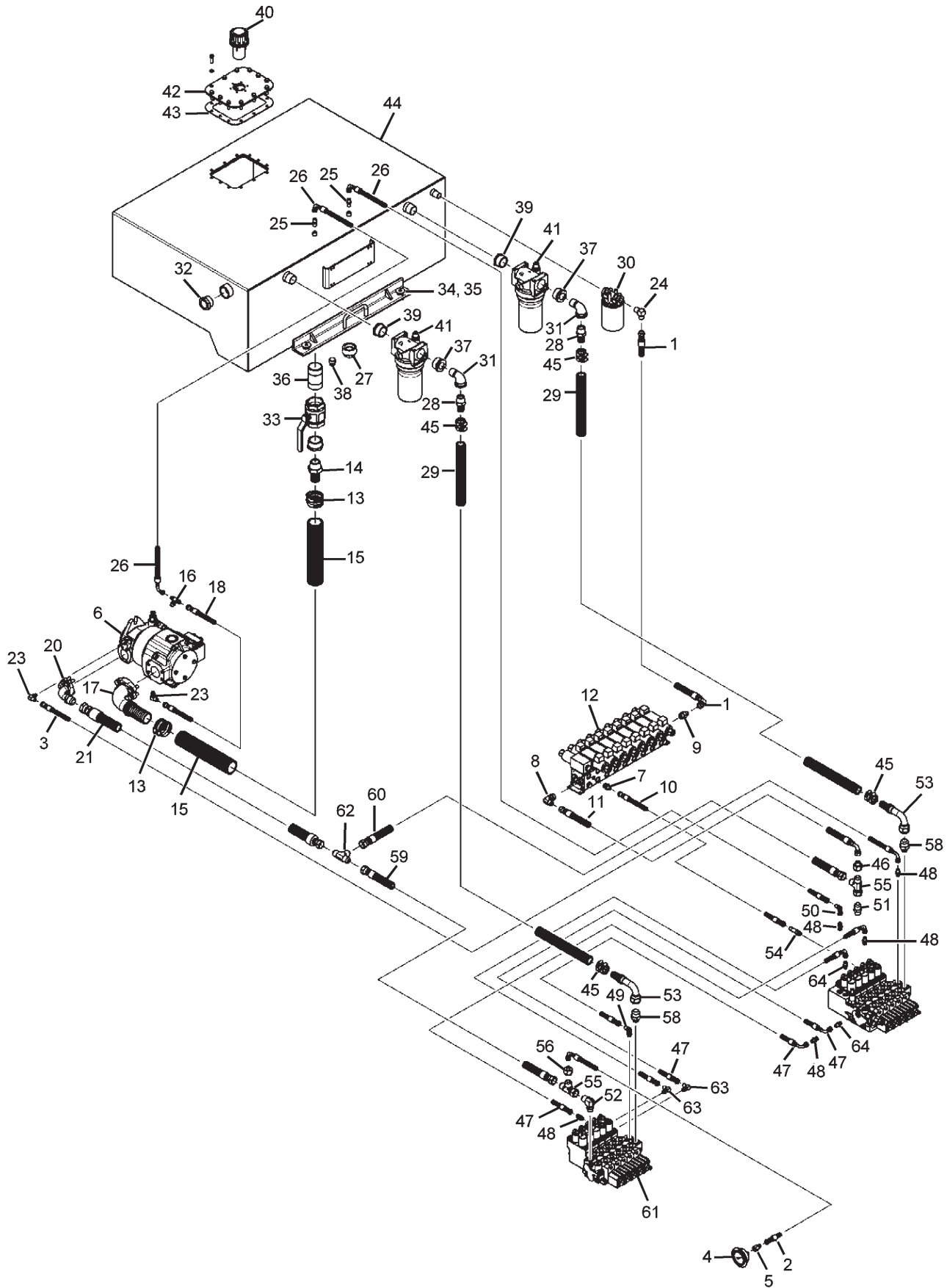
mi1075_0016_r00

Section II - PARTS (cont'd)
PUMP, VALVE & FILTER HYDRAULICS

REF. NO.	NO. REQ'D	PART NUMBER	DESCRIPTION
1	1	0301471	HOSE ASSEMBLY, 30"
2	1	0301880	HOSE ASSEMBLY, 107"
3	2	0301965	HOSE ASSEMBLY, 131"
4	1	0302205	GAUGE, FLUSH MOUNT, 6000 PSI
5	1	0302577	CONNECTOR, 6MJ-4FP
6	1	0310199	PISTON PUMP, KAWASAKI
--	--	0904978	OUTRIGGER CONTROL VALVE KIT
7	1	0300044	CONNECTOR, 6MJ-8MB
8	1	0300052	ELBOW, 8MJ-10MB90
9	1	0301376	CONNECTOR, 8MJ-10MB
10	1	0301695	HOSE ASSEMBLY, 91"
11	1	0303438	HOSE ASSEMBLY, 92"
12	1	0303991	OUTRIGGER CONTROL VALVE
--	--	0906619	PISTON PUMP KIT
13	4	0300364	HOSE CLAMP, 1" - 2-1/4"
14	1	0300434	HOSE BARB, 2"
15	15 FT.	0300558	SUCTION HOSE, 2"
16	1	0301619	BRANCH TEE, 6MJ-6MJ-6MB
17	1	0301637	ELBOW, 32-32FL90 W/ FLANGE KIT
18	1	0301997	HOSE ASSEMBLY, 18"
19	12	0303290	CLAMP, 2-1/2" INSULATED (Not Shown)
20	1	0306920	ELBOW, 16MJ-20FL90 W/ FLANGE KIT
21	1	0303187	HOSE ASSEMBLY, 144"
22	6	0711438	BRACKET, HOSE (Not Shown)
23	2	IC209	ADAPTER, 4MB-6MJ90
--	--	0906620	FILTER CONVERSION OIL TANK KIT
24	1	0301371	ELBOW, 8MJ-12MP90
25	2	0301424	CONNECTOR, 6MJ-4MP
26	2	0301965	HOSE ASSEMBLY, 131"
27	1	0306921	PIPE PLUG, 2" SQ HD
--	--	0906979	TANK KIT
28	2	0300056	BARB, 16C4-16MP
29	20 FT.	0300058	SUCTION HOSE, 1" 16C4
30	1	0300136	RETURN LINE FILTER ASSEMBLY

Section II - PARTS (cont'd)

PUMP, VALVE & FILTER HYDRAULICS



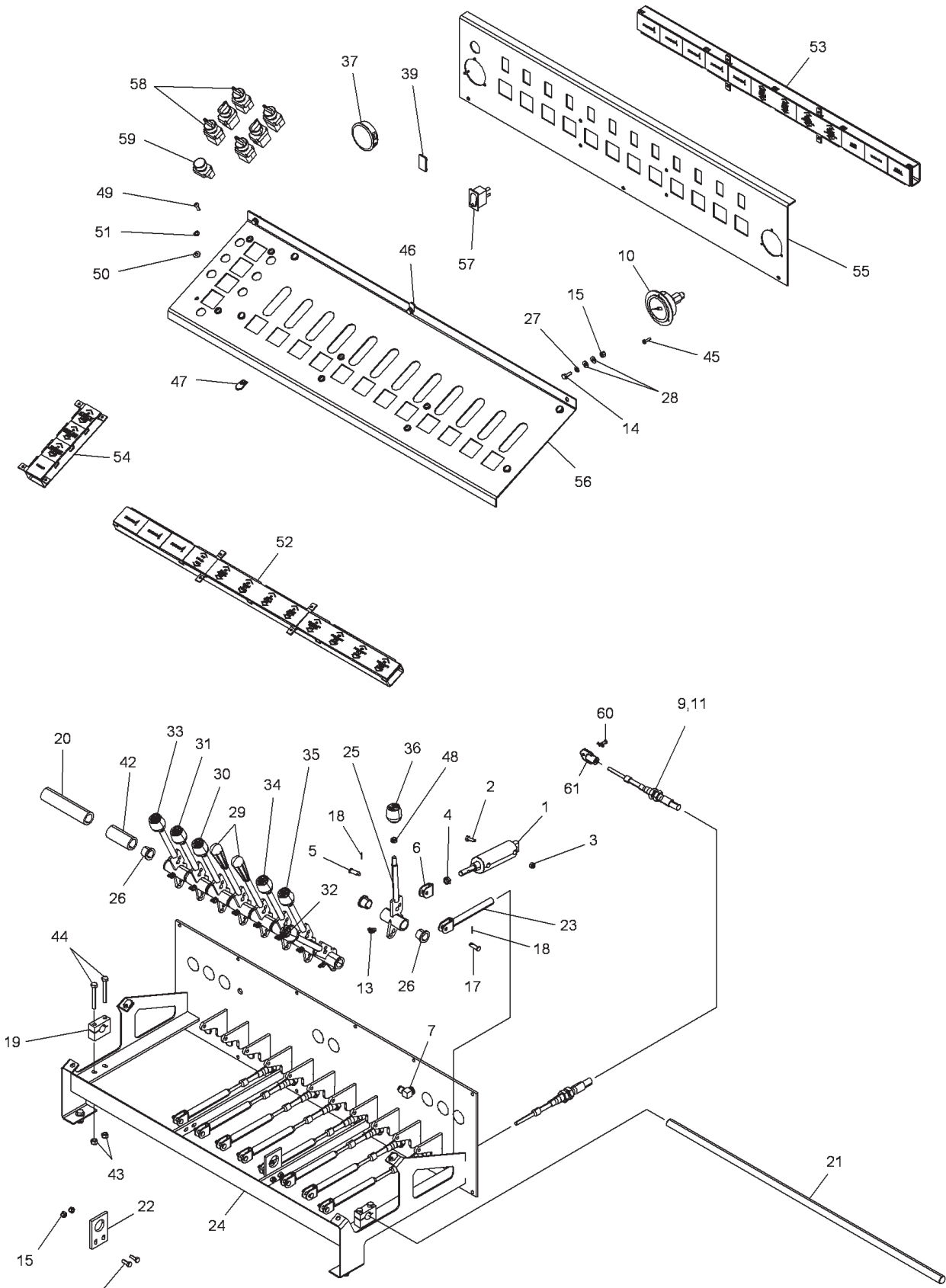
mi1075_0016_r00

Section II - PARTS (cont'd)
PUMP, VALVE & FILTER HYDRAULICS

REF. NO.	NO. REQ'D	PART NUMBER	DESCRIPTION
--	--	0906979	TANK KIT (cont'd)
31	2	0300692	STREET ELBOW, 1" 90°
32	1	0301541	SIGHT GAGE, TYPE S-1
33	1	0301961	BALL VALVE, BRONZE
34	4	0302227	CENTER BONDED MOUNT
35	4	0302228	SPECIAL WASHER
36	2	0302367	PIPE NIPPLE, 2" X 4"
37	2	0302953	REDUCER BUSHING, 1-1/2 MP TO 1 FP
38	1	0303155	PIPE PLUG, 3/4" NPT MAGNETIC
39	2	0303463	BUSHING, 1-1/2 MP TO 1-1/4 FP
40	1	0305006	FILLER CAP
41	2	HC0634	FILTER ASSEMBLY
42	1	0705910	COVER PLATE
43	1	0706114	GASKET, CLEANOUT & FILLER COVER
44	1	0805908	RESERVOIR WELDMENT
45	6	9018016	HOSE CLAMP, HS-20 1-1/4"
--	--	0908137	PROPORTIONAL CONTROL VALVE KIT
46	1	0301372	CONNECTOR, 12FJ-8MJ
47	4	0301473	HOSE ASSEMBLY, 18"
48	5	0301522	CONNECTOR, 6MJ-6MB
49	1	0301620	ELBOW, 6MJ-6MB90
50	1	0301696	ELBOW, 6MJ-6FJX90
51	1	0302082	ADAPTER, 12MJ-10MB
52	1	0302085	ELBOW, 12MJ-10MB90
53	2	0302170	BENT TUBE, SWIVEL 16C2-16FJX90
54	1	0302510	CONNECTOR, 6MJ-6MBL
55	2	0302826	TEE, 12MJ-12FJX-12MJ
56	1	0302829	ADAPTER, 12FJ-6MJ
57	1	0310101	CONTROL VALVE, PROPORTIONAL (Not Shown)
58	2	0307404	CONNECTOR, 16MJ-10MB
59	3	0307471	HOSE ASSEMBLY, 12"
60	1	0307472	HOSE ASSEMBLY, 24"
61	1	0310103	CONTROL VALVE, PROPORTIONAL
62	1	GB330	TEE, 12MJ-12MJ-12MJ
63	2	IC209	ELBOW, 4MB-6MJ90
64	2	IC212	STRAIGHT ADAPTER, 4MB-6MJ

Section II - PARTS (cont'd)

LEFT CONTROL ASSEMBLY



mi1075_0017_r00

Section II - PARTS (cont'd)

LEFT CONTROL ASSEMBLY

REF. NO.	NO. REQ'D	PART NUMBER	DESCRIPTION
--	--	0906412	8 FUNCTION AIR ASSEMBLY
1	4	0306698	AIR CYLINDER, 1.5 BORE X 1.71 STROKE
2	4	0400057	SCREW, 1/4"-20 X 1-1/4" HEX HD CAP
3	4	0400367	NUT, 1/4"-20 NYLOK HEX ZP
4	4	0400401	NUT, 7/16"-20 HEX JAM PL
5	4	0400527	CLEVIS PIN, 5/16" X 5/8"
6	4	0803181	CLEVIS WELDMENT
--	--	0908138	LEFT CONTROL ASSEMBLY (10 HANDLE)
7	1	FC41	FITTING, 90DEG BLKHD ELB
8	1	0301473	HOSE, HYDRAULIC 18" (Not Shown)
9	6	0301884	CONTROL CABLE, 96"
10	1	0302205	GAUGE, FLUSH MOUNT 6000 PSI
11	4	0302457	CONTROL CABLE, 104"
12	1	0302577	FITTING 6MJ-4FP (Not Shown)
13	10	0302726	GREASE FITTING, 1/4"-28
14	8	0400066	SCREW, 1/4"-20 X 3/4" HEX HD CAP GR5 ZP
15	8	0400367	NUT, 1/4"-20 NYLOK HEX ZP
16	10	0400383	NUT, 5/16"-24 HEX ZP (Not Shown)
17	10	0400532	CLEVIS PIN, 5/16" X 1" ZP
18	10	0400541	COTTER PIN, 1/16" X 3/4"
19	2	0711235	SHAFT CLAMP, CONTROL BOX
20	1	0717206	SPACER TUBE, 1-1/4" OD
21	1	0717270	CONTROL HANDLE PIN
22	2	0717461	PLATE, SUPPORT SHAFT
23	10	0806006	CLEVIS WELDMENT
24	1	0806009	CONTROL FRAME WELDMENT
--	10	0907441	CONTROL HANDLE ASSEMBLY, SHORT
25	1	0806515	CONTROL HANDLE WELDMENT
26	22	9053524	BEARING BR. FLG.752 X .879x.75, 2 EACH ON HANDLES AND SPACERS
27	4	0400453	WASHER, 1/4" FLAT
28	8	0400452	LOCKWASHER, 1/4" HELICAL
--	--	0908847	KNOB, DECAL & PANEL KIT (10 HANDLE)
29	2	0307604	KNOB, RED LONG SK0700-07
30	1	0300835	KNOB, BOOM (UP-DOWN)
31	1	0300837	KNOB, BOOM (IN-OUT)

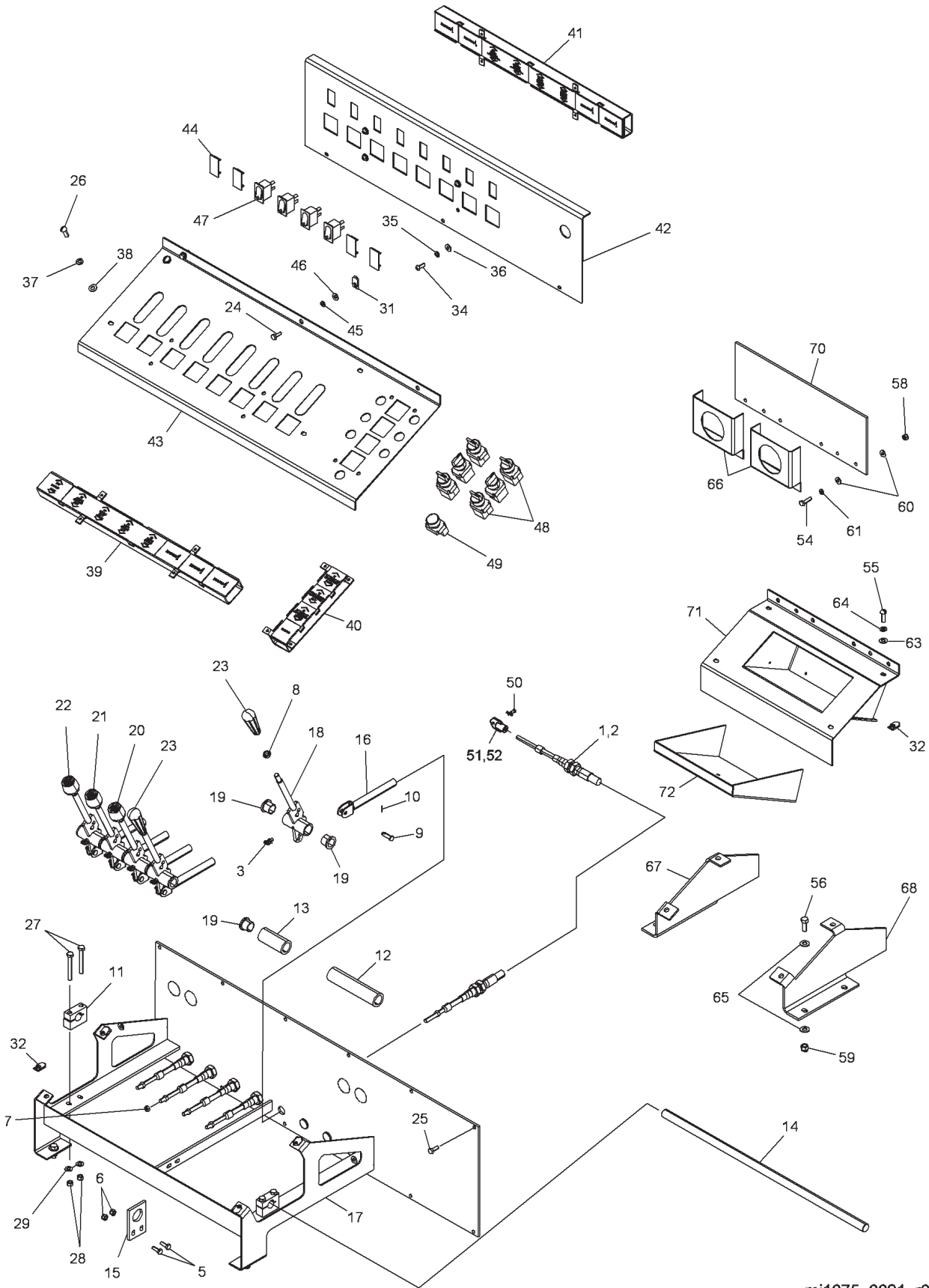
Section II - PARTS (cont'd)

LEFT CONTROL ASSEMBLY

REF. NO.	NO. REQ'D	PART NUMBER	DESCRIPTION
--	--	0908847	KNOB, DECAL & PANEL KIT (10 HANDLE) (cont'd)
32	1	0302856	KNOB, TILT (UP-DOWN)
33	1	0303379	KNOB, SWING (CW-CCW)
34	1	0303380	KNOB, UNDERLIFT (IN-OUT)
35	1	0303381	KNOB, UNDERLIFT (UP-DOWN)
36	1	0303382	KNOB, FOLD (UP-DOWN)
37	1	0303941	PLUG, 2-1/2"
38	2	0307166	PLUG, 7/8" (Not Shown)
39	5	0307778	PLUG, FILTER
40	2	0310021	PIGTAIL, PWR-SWITCH (Not Shown)
41	2	0310022	PIGTAIL, GND-SWITCH (Not Shown)
42	1	0717208	SPACER TUBE 1-1/4" OD
43	4	0400382	NUT, 5/16"-18 NYLOK HEX
44	4	0400107	SCREW 5/16"-18 X 2-1/2" HEX HD CAP GR5 ZP
45	3	0400005	SCREW, #6-32 X 1/2" RD HD PH SS
46	6	0400369	NUT, 1/4" "J" TYPE TINNERMAN
47	8	0400380	NUT, 5/16"-18 "J" TINNERMAN
48	20	0400393	NUT, 3/8"-16 HEX JAM ZP
49	8	0400071	SCREW, 1/4"-20 X 3/4" RD PHIL HD SS
50	8	0402111	WASHER, 1/4" FLAT SS
51	8	0402110	LOCKWASHER, 1/4" 316 SS
52	1	0908822	ILLUMINATED LEGEND ASSEMBLY, LOWER
53	1	0908823	ILLUMINATED LEGEND ASSEMBLY, UPPER
54	1	0909056	ILLUMINATED LEGEND ASSEMBLY, SIDE
55	1	0719849	PANEL, GAUGE (12 HANDLE)
56	1	0719592	PLATE, CONTROL (12 HANDLE)
57	13	9024041	SWITCH, MCGILL 0852-0110
--	--	0908135	PROPORTIONAL CONTROL KIT W/ DW
58	6	0306540	ROTARY SELECT SWITCH OPERATOR
59	1	0306565	PUSH BUTTON OPERATOR W/MTG (BLUE)
--	--	0908137	PROPORTIONAL CONTROL VALVE KIT
60	10	0307456	CLEVIS PIN, 3/16" X 3/4" ZP
61	10	0806759	VALVE LINK WELDMENT

Section II - PARTS (cont'd)

RIGHT CONTROL ASSEMBLY (OPTIONAL)



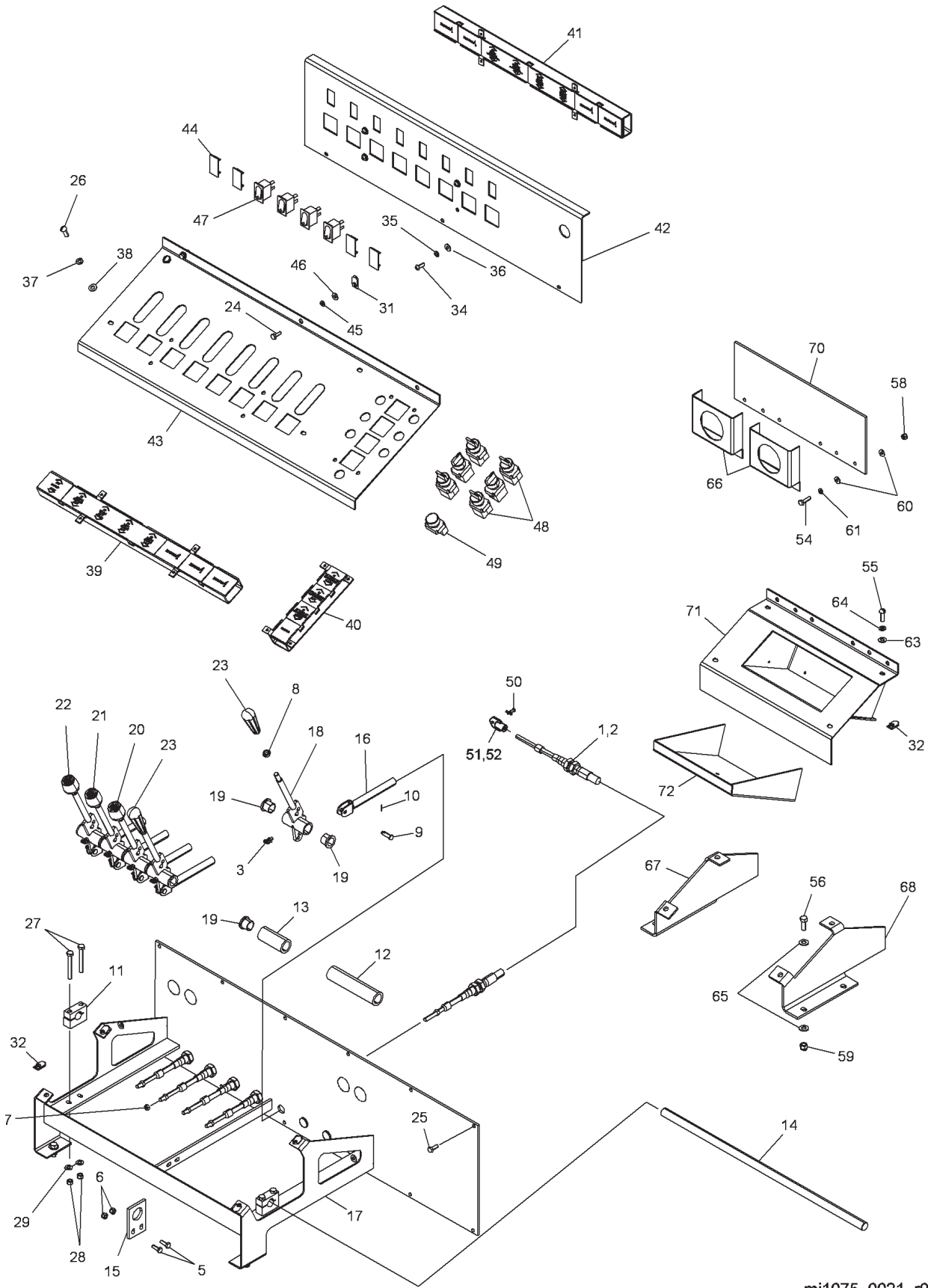
mi1075_0021_r00

Section II - PARTS (cont'd)
RIGHT CONTROL ASSEMBLY (OPTIONAL)

REF. NO.	NO. REQ'D	PART NUMBER	DESCRIPTION
--	--	0909004	RIGHT CONTROL ASSEMBLY (8 HANDLE)
1	3	0301969	CONTROL CABLE, 84"
2	5	0302457	CONTROL CABLE, 104"
3	8	0302726	GREASE FITTING, 1/4"-28
4	4	0303253	TERMINAL .187" FEM QD (Not Shown)
5	2	0400066	SCREW, 1/4"-20 X 3/4" HEX HD CAP GR5 ZP
6	2	0400367	NUT, 1/4"-20 NYLOK HEX ZP
7	12	0400383	NUT, 5/16"-24 HEX ZP CABLE END
8	8	0400393	NUT, 3/8"-16 HEX JAM ZP
9	8	0400532	CLEVIS PIN, 5/16" X 1" ZP
10	5	0400540	COTTER PIN, 1/16" X 3/4"
11	2	0711235	SHAFT CLAMP, CONTROL BOX
12	1	0717207	SPACER TUBE, 1-1/4" OD
13	1	0717209	SPACER TUBE, 1-1/4" OD
14	1	0717203	CONTROL HANDLE PIN (6)
15	1	0717461	PLATE, SUPPORT SHAFT
16	8	0806006	CLEVIS WELDMENT
17	1	0806008	CONTROL FRAME WELDMENT (6,7,8 HND)
--	8	0907441	CONTROL HANDLE ASSEMBLY, SHORT
18	1	0806515	CONTROL HANDLE WELDMENT
19	14	9053524	BEARING BR. FLG .752 X .879 X .75
--	--	0909002	KNOB, DECAL & PANEL KIT (8 HDL/8 SW)
20	1	0300836	KNOB-BOOM (UP-DOWN)
21	1	0300838	KNOB-BOOM (IN-OUT)
22	1	0303380	KNOB, SWING CW-CCW
23	2	0307605	KNOB, RED LONG-SK0700-07
24	3	0400067	SCREW, 1/4"-20 X 3/4" MACH SCREW 2
25	12	0400062	SCREW, 1/4"-20 X 3/4" THRD CUT HEX
26	8	0400103	SCREW, 5/16"-18 X 1" RD MACH HD SS
27	4	0400107	SCREW, 5/16"-18 X 2-1/2" HEX HD CAP GR5 ZP
28	4	0400382	5/16-18 NUTS
29	4	0400463	5/16" FLAT WASHER
30	12	0400367	NUT, 1/4"-20 NYLOK HEX ZP (Not Shown)
31	1	0400370	NUT, 1/4" "J" TYPE TINNERMAN
32	8	0400379	NUT, 5/16"-18 "J" TINNERMAN
33	7	0400393	NUT, 3/8"-16 HEX JAM ZP (Not Shown)
34	4	0400072	SCREW, 1/4"-20 X 3/4" RND MACH HD SS
35	4	0402112	LOCKWASHER, 1/4" SS
36	4	0402111	WASHER, 1/4" FLAT SS
37	8	0400467	LOCKWASHER, 5/16" SS
38	8	0400466	WASHER, FLAT 5/16" SS
39	1	0909051	ILLUMINATED LEGEND ASSEMBLY, LOWER

Section II - PARTS (cont'd)

RIGHT CONTROL ASSEMBLY (OPTIONAL)

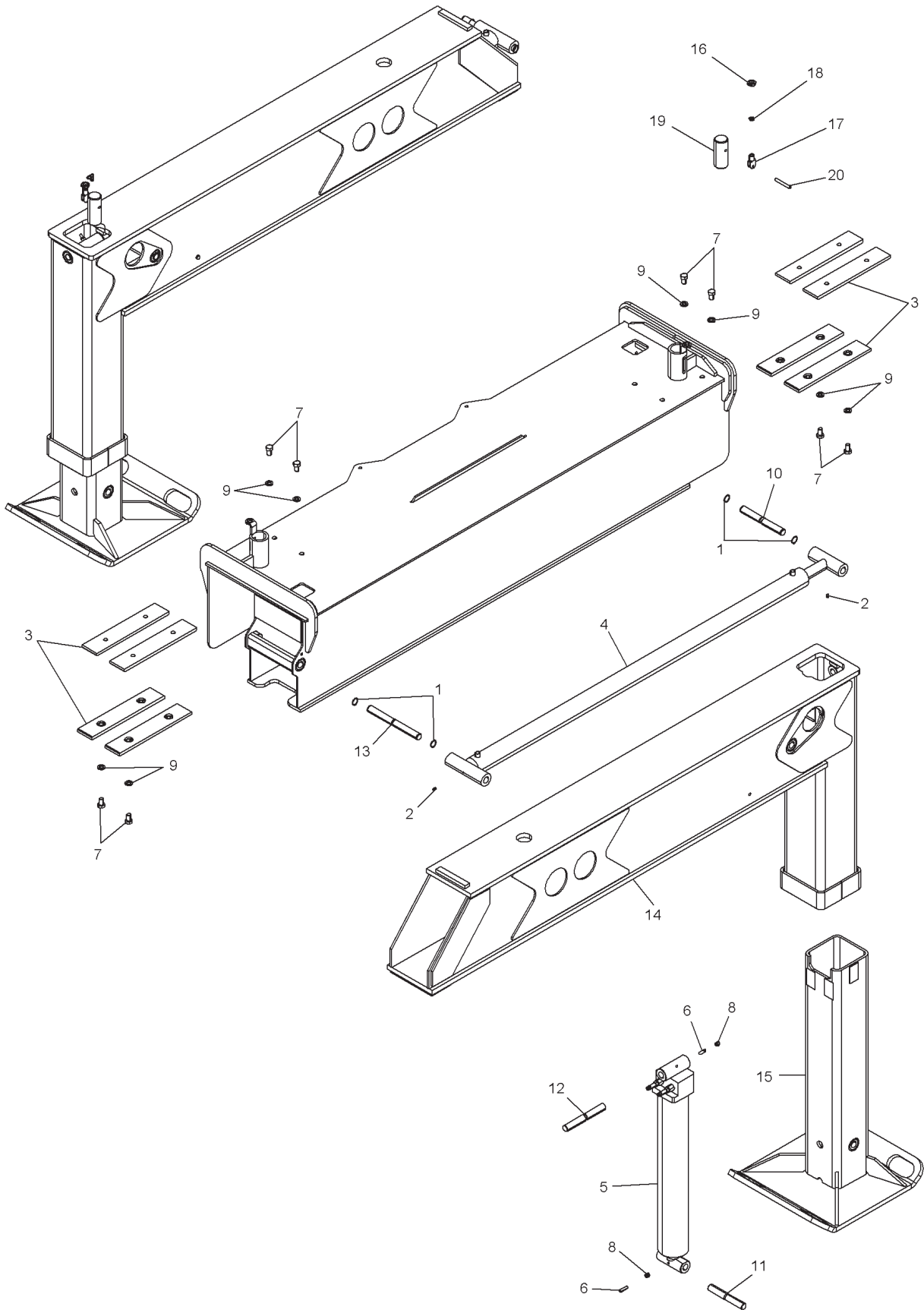


mi1075_0021_r00

Section II - PARTS (cont'd)
RIGHT CONTROL ASSEMBLY (OPTIONAL)

REF. NO.	NO. REQ'D	PART NUMBER	DESCRIPTION
--	--	0909002	KNOB, DECAL & PANEL KIT (8 HDL/8 SW) (cont'd)
40	1	0909056	ILLUMINATED LEGEND ASSEMBLY, OUTRIGGER
--	--	0909002	KNOB, DECAL & PANEL KIT (8 HDL/8 SW) (cont'd)
41	1	0909053	ILLUMINATED LEGEND ASSEMBLY, UPPER
42	1	0719248	PANEL, GAUGE (8 HANDLE)
43	1	0719247	PLATE, CONTROL (8 HANDLE)
44	4	0307779	PLUG, FILLER
45	3	0400455	LOCKWASHER, 1/4"
46	3	0400454	WASHER, FLAT
47	4	9024041	SWITCH, MCGILL 0852-0110
--	--	0908135	PROPORTIONAL CONTROL KIT W/ DW
48	6	0306541	ROTARY SELECT SWITCH OPERATOR
49	1	0306565	PUSH BUTTON OPERATOR W/MTG (BLUE)
--	--	0908137	PROPORTIONAL CONTROL VALVE KIT
50	8	0307456	CLEVIS PIN, 3/16" X 3/4" ZP
51	8	0806759	VALVE LINK WELDMENT (HUSCO)
52	8	0806738	CONNECTOR, CABLE CONTROL (Now Shown)
--	--	0908845	REMOTE TRAY ASSEMBLY
53	1	0307822	PIN SWITCH (Not Shown)
54	7	0400070	1/4-20 X 1 HHCS GR5 ZP
55	4	0400101	SCREW, 5/16-18 RD HD SLOTTED SS
56	4	0400126	3/8-16 X 1 HHCS, GR5 ZP
57	2	0400366	1/4-20 HEX NUT ZP (Not Shown)
58	7	0400367	1/4-20 NYLOCK HEX NUT ZP
59	4	0400392	3/8-16 NYLOCK HEX NUT ZP
60	14	0400451	1/4 FLAT WASHER ZP
61	6	0400452	1/4 HELICAL LOCK WASHER ZP
62	1	0400458	1/4 STAR LOCKWASHER ZP (Not Shown)
63	4	0400463	5/16 FLAT WASHER ZP
64	4	0400464	5/16 HELICAL FLAT WASHER ZP
65	8	0400480	3/8 FLAT WASHER ZP
66	2	0710198	BRACKET, MARKER LIGHT AND HAND HELD REMOTE
67	1	0714324	SUPPORT, LEFT CONTROL
68	1	0714325	SUPPORT, RIHT CONTROL
69	1	0717499	ANGLE MTG WORK LIGHT BOOM (Not Shown)
70	1	0719115	PANEL, CONTROL STATION UPPER REMOTE
71	1	0806928	CONTROL PANEL WELDMENT
72	1	0807079	PANEL SPACER WELDMENT REMOTE BOX
73	1	0310021	PIGTAIL, PWR-SWITCH (Not Shown)
74	1	0310022	PIGTAIL, GND-SWITCH (Not Shown)

Section II - PARTS (cont'd) FRONT OUTRIGGER ASSEMBLY

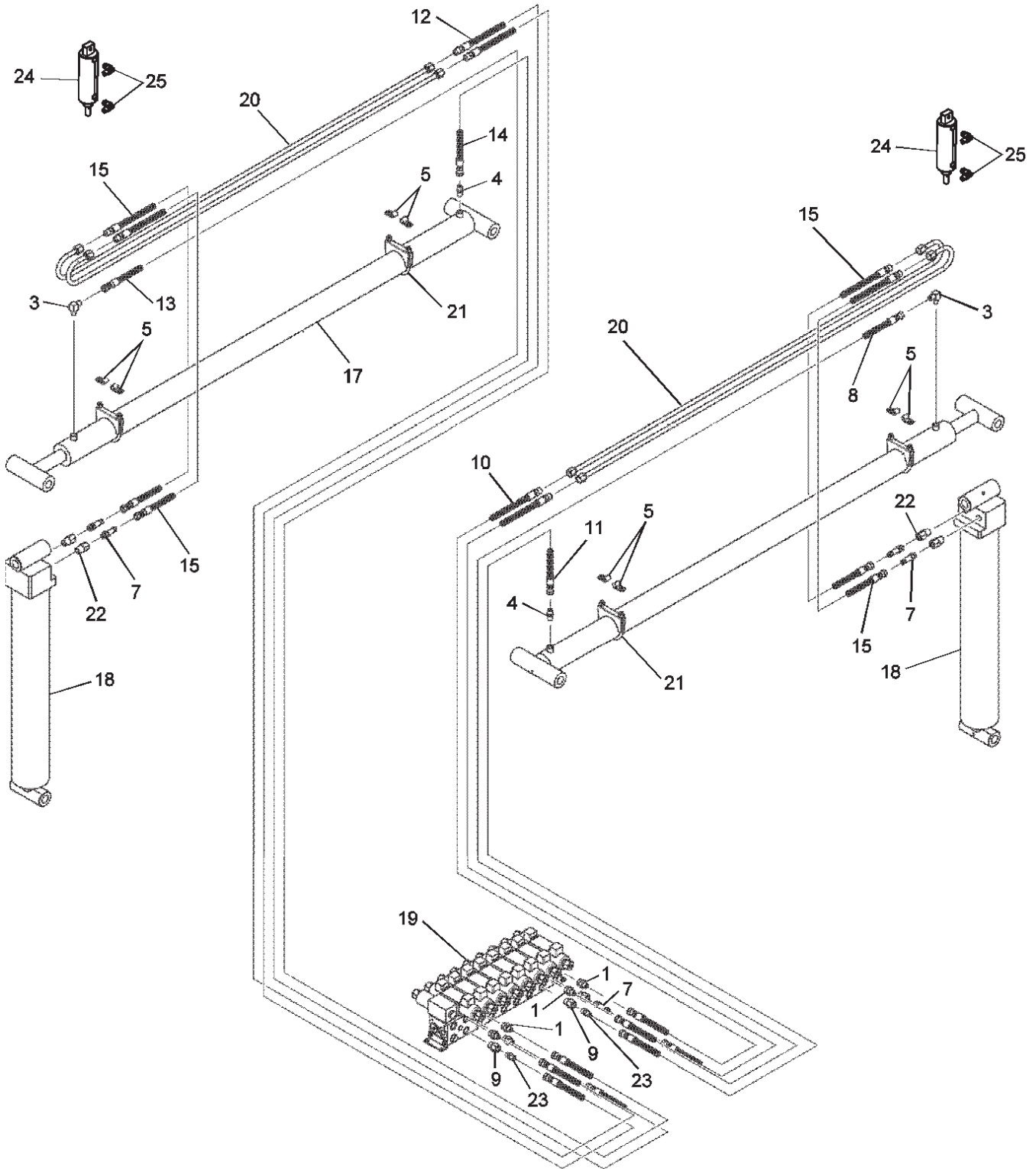


mi1075_0012_r00

Section II - PARTS (cont'd)
FRONT OUTRIGGER ASSEMBLY

REF. NO.	NO. REQ'D	PART NUMBER	DESCRIPTION
1	8	0300110	SNAP RING, 1"
2	4	0300113	GREASE FITTING
3	8	0301923	SLIDE PAD, BOOM BOTTOM
4	2	0303550	EXTEND CYLINDER
5	2	0307844	SPADE CYLINDER
6	4	0400139	SCREW, 3/8"-16 X 1-1/2" HEX SKT SET
7	16	0400248	SCREW, 5/8"-11 X 1" HEX HD CAP
8	4	0400392	NUT, 3/8"-16 NYLOK HEX
9	16	0400508	LOCKWASHER, 5/8" HELICAL
10	2	0703137	SHAFT, EXTEND CYLINDER OUTER BOOM
11	2	0703458	SHAFT, JACK CYLINDER, LOWER
12	2	0716812	SHAFT, JACK CYLINDER, UPPER
13	2	0716813	SHAFT, EXTEND CYLINDER BASE
14	2	0805904	FRONT OUTRIGGER BEAM WELDMENT
15	2	0805905	FRONT OUTRIGGER VERT TUBE WELDMENT
16	2	0400777	JAM NUT, 3/4"-16 NYLOK HEX ZP
17	2	0719874	CLEVIS LINK
18	2	0400401	JAM NUT, 7/16"-20
19	2	0718794	PIN, FRONT OUTRIGGER LOCK
20	2	0400568	ROLL PIN, 3/8" X 3"

Section II - PARTS (cont'd) FRONT OUTRIGGER HYDRAULICS



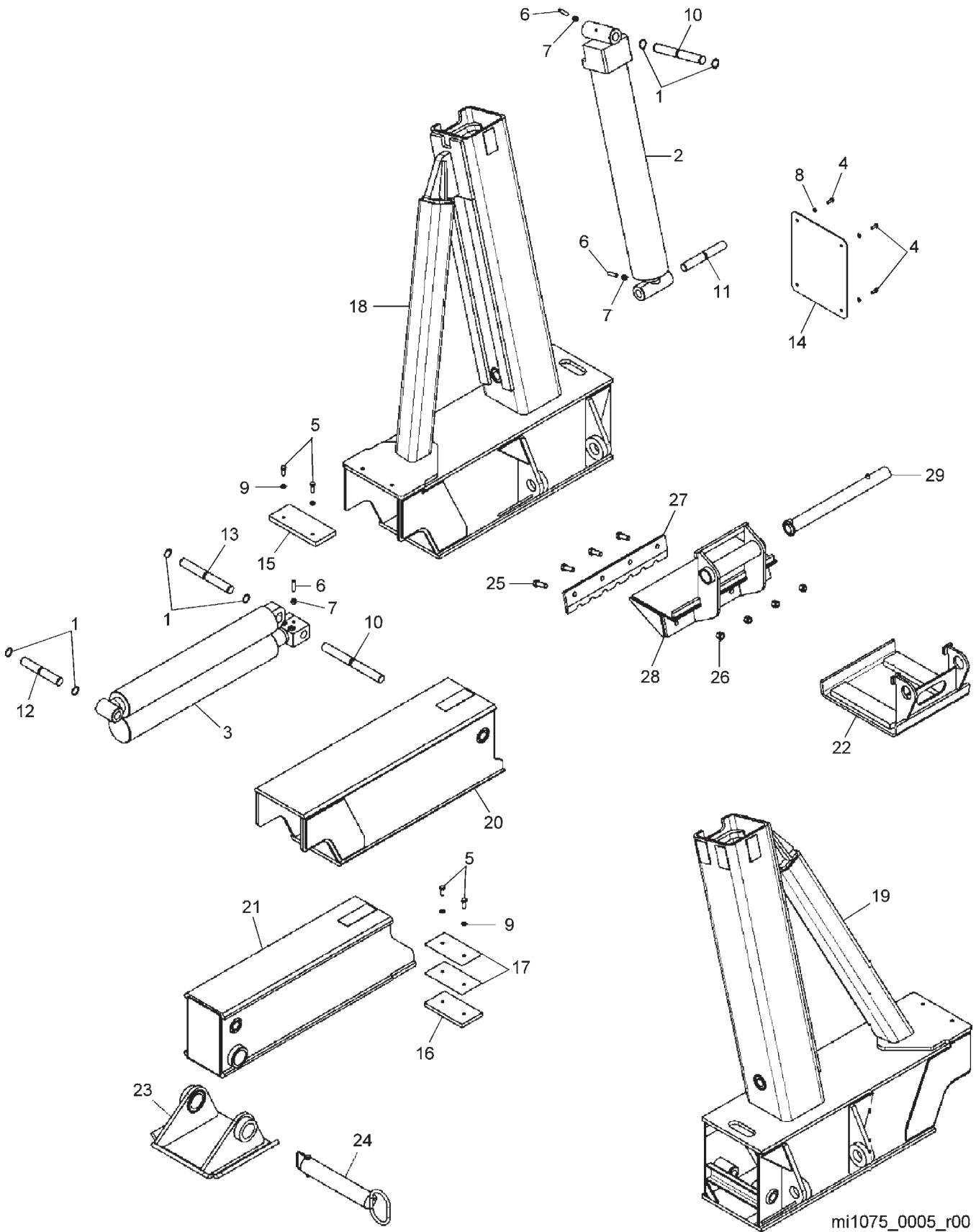
mi1075_0018_r00

Section II - PARTS (cont'd)
FRONT OUTRIGGER HYDRAULICS

REF. NO.	NO. REQ'D	PART NUMBER	DESCRIPTION
1	5	0300044	CONNECTOR, 6MJ-8MB
2	4	0300134	HOSE CLAMP, INSULATED 1" (Not Shown)
3	2	0300142	ELBOW, 6MJ-4MP90
4	2	0301424	CONNECTOR 6MJ-4MP
5	8	0301487	HOSE CLAMP, 1/2"
6	10	0302433	CABLE TIE (Not Shown)
7	4	0302510	ADAPTER, 6MJ-6MBL
8	1	0302635	HOSE ASSEMBLY, 131"
9	3	0303017	CONNECTOR, 8MB-6FB
10	2	0303184	HOSE ASSEMBLY, 73"
11	1	0303185	HOSE ASSEMBLY, 66"
12	2	0303186	HOSE ASSEMBLY, 82"
13	1	0303187	HOSE ASSEMBLY, 141"
14	1	0303188	HOSE ASSEMBLY, 75"
15	4	0303191	HOSE ASSEMBLY, 96"
16	32 FT.	0303193	BLACK SCUFF JACKET (Not Shown)
17	2	0303550	EXTEND CYLINDER
18	2	0307844	VERTICAL CYLINDER
19	1	0303991	OUTRIGGER CONTROL VALVE
20	4	0307022	HYDRAULIC TUBING
21	4	0307023	SADDLE CLAMP, 2-1/2" PIPE
22	4	0307024	FITTING, 6FB-8MP
23	2	0307042	ORIFICE CONNECTOR, 6MJ-6MBR-3/64
24	2	0306698	AIR CYLINDER
25	4	9010030	FITTING-BRASS ELBOW, 1/4T-1/8 MPX

Section II - PARTS (cont'd)

REAR OUTRIGGER ASSEMBLY



mi1075_0005_r00

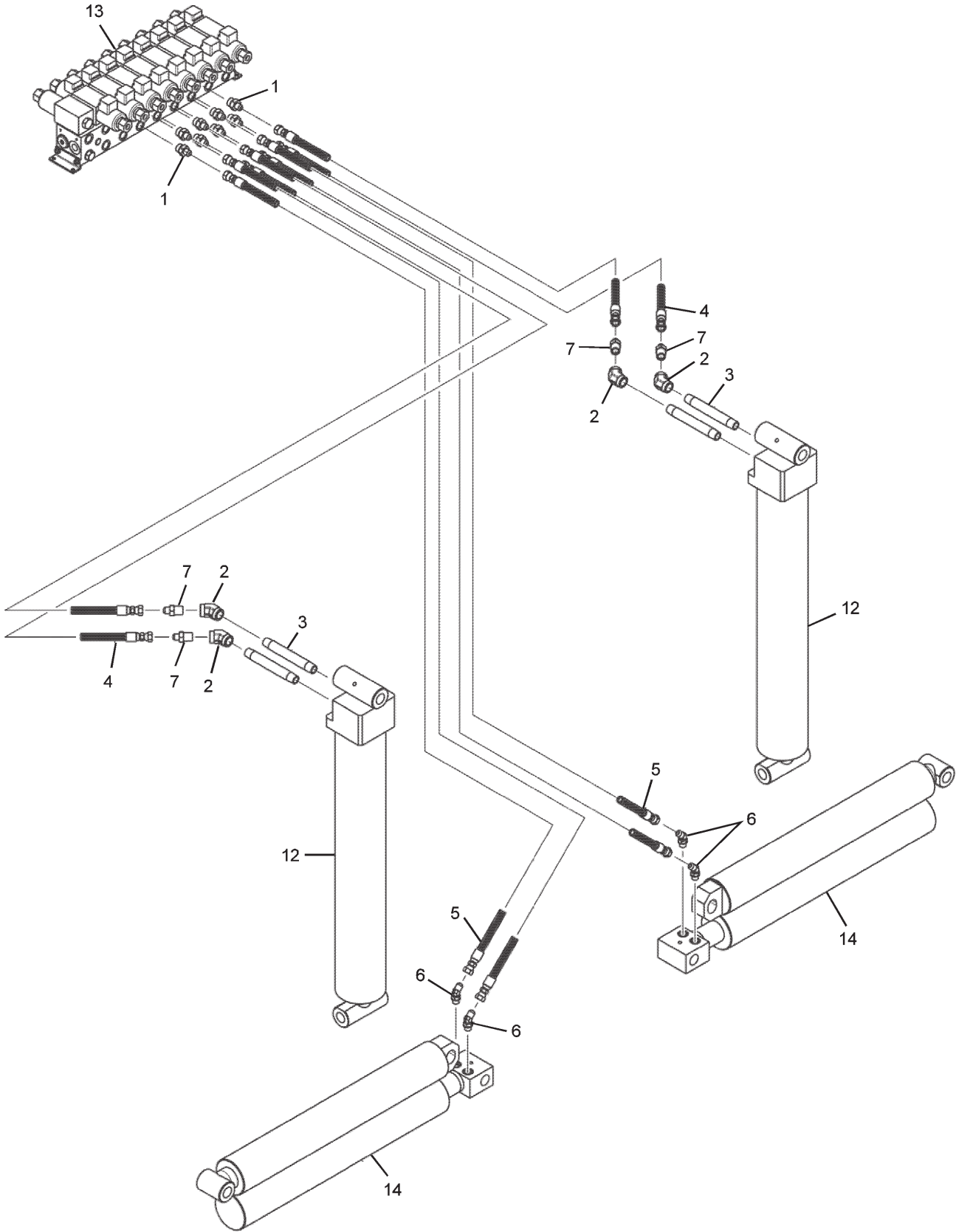
Section II - PARTS (cont'd)

REAR OUTRIGGER ASSEMBLY

REF. NO.	NO. REQ'D	PART NUMBER	DESCRIPTION
1	12	0300110	SNAP RING, 1"
2	2	0307844	CYLINDER, SPADE
3	2	0307001	HYD TWIN CYLINDER ASSY, REAR OUTR
4	8	0400066	SCREW, 1/4"-20 X 3/4" HEX HD CAP
5	8	0400126	SCREW, 3/8"-16 X 1" HEX HD CAP
6	6	0400139	SCREW, 3/8"-16 X 1-1/2" HEX SKT SET
7	6	0400392	NUT, 3/8"-16 NYLOK HEX
8	8	0400452	LOCKWASHER, 1/4" HELICAL
9	8	0400482	LOCKWASHER, 3/8" HELICAL
10	4	0703457	SHAFT, JACK CYLINDER, UPPER
11	2	0703458	SHAFT, JACK CYLINDER, LOWER
12	2	0705499	SHAFT, UPPER SPADE
13	2	0707117	SHAFT, UPPER SPADE
14	2	0716141	COVER, OUTER HORIZ OUTRIGGER
15	2	0716644	SPACER, TOP
16	2	0716645	SPACER, BOTTOM
17	4	0717855	SHIM, BOTTOM
18	1	0804417	OUTER OUTRIGGER WELDMENT, LH REAR
19	1	0804418	OUTER OUTRIGGER WELDMENT, RH REAR
20	2	0804419	2ND STAGE BOOM WELDMENT
21	2	0804420	3RD STAGE OUTRIGGER BOOM WELDMENT
22	2	0805867	OUTRIGGER PAD, INTERMEDIATE
23	2	0805892	REAR OUTRIGGER PAD
24	2	0906963	PIN, REAR OUTRIGGER PAD ASSY
--	1	0400044	DRIVE SCREW, #10 X 1/2" RD HD
--	1	0705525	CHAIN, SASH 20" LONG
--	1	0805893	PIN WELDMENT, REAR OUTRIGGER PAD
--	1	HD1259	PIN, SNAPPER
--	--	0907026	KIT, SPADE & BLADE, ROT. REAR. OUTRIGGER
25	8	0400181	SCREW, 1/2"-13 X 1-1/2" HEX HD CAP
26	8	0400408	NUT, 1/2"-13 NYLOK HEX
27	2	0711972	BLADE, REAR OUTRIGGER SPADE
28	2	0805918	SPADE WELDMENT, REAR OUTRIG SHORT
29	2	0900910	PIN ASSY, JACK PAD

Section II - PARTS (cont'd)

REAR OUTRIGGER HYDRAULICS

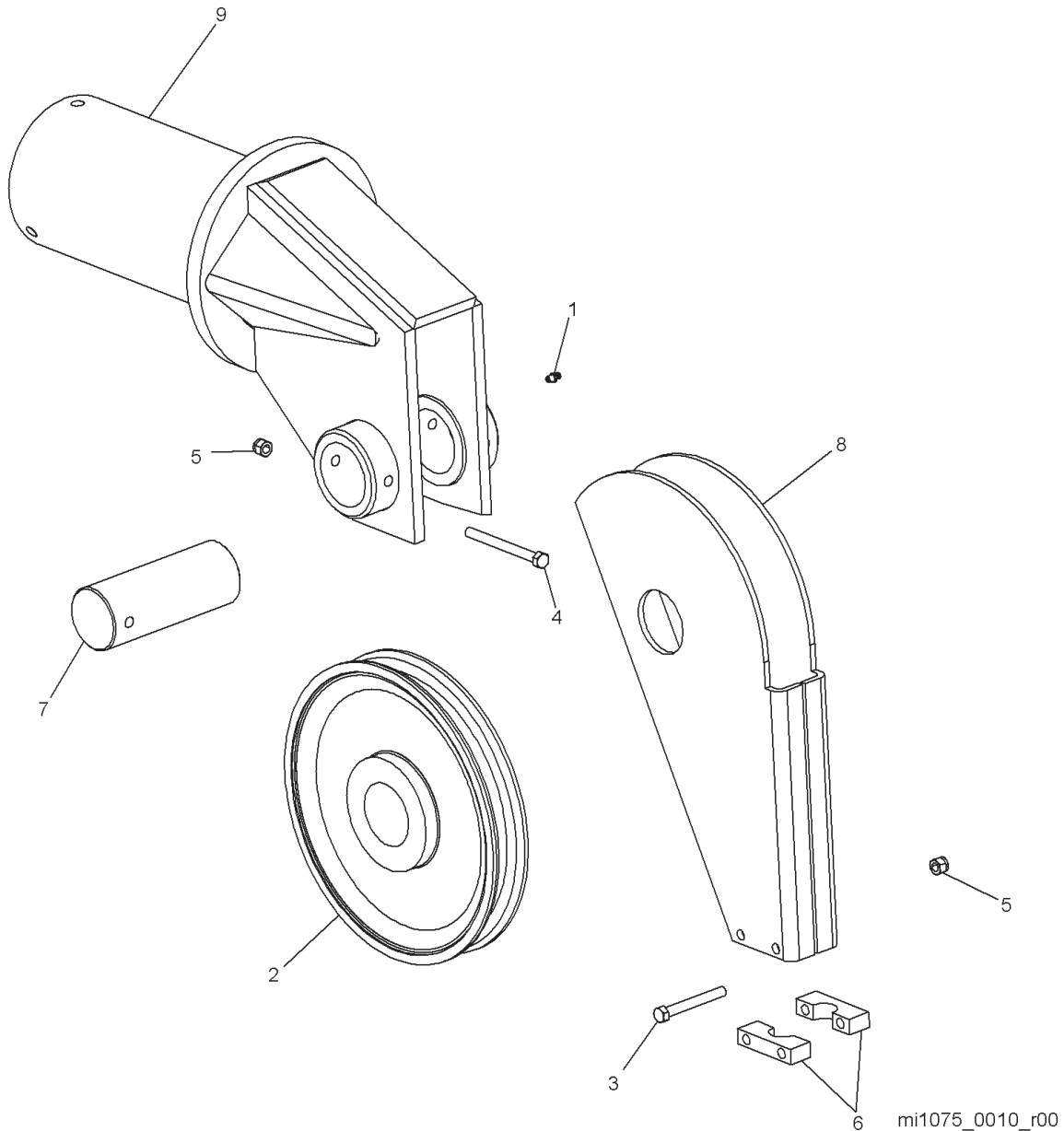


Section II - PARTS (cont'd)
REAR OUTRIGGER HYDRAULICS

REF. NO.	NO. REQ'D	PART NUMBER	DESCRIPTION
1	8	0300044	CONNECTOR, 6MJ-8MB
2	4	0301816	ELBOW, 8FP-8FP45
3	4	0302032	NIPPLE, BLACK PIPE 1/2"
4	4	0302056	HOSE ASSEMBLY, 183"
5	4	0302372	HOSE ASSEMBLY, 240"
6	4	0302509	ELBOW, 6MJ-6MB45
7	4	0302727	CONNECTOR, 6J-8MP
8	4	0302835	CLAMPING UNIT (Not Shown)
9	2	0302836	SOCKET HD STACKING NUT (Not Shown)
10	4	0302837	SPLIT BUSHING, 1" (Not Shown)
11	28 FT.	0303193	BLACK SCUFF JACKET, SJ16 (Not Shown)
12	2	0307844	SPADE CYLINDER
13	1	0303991	OUTRIGGER CONTROL VALVE
14	2	0307001	TWIN CYLINDER ASSEMBLY, REAR OUTRIGGER
15	2	0400118	SCREW, 5/16"-18 X 3/4" HEX HD CAP GR5 (Not Shown)

Section II - PARTS (cont'd)

BOOM SWIVEL ASSEMBLY



REF. NO.	NO. REQ'D	PART NUMBER	DESCRIPTION
1	1	0300113	GREASE FITTING, 1/4"-28 STRAIGHT
2	1	0300311	SHEAVE, 10"
3	2	0400133	SCREW, 3/8"-16 X 3" HEX HD CAP
4	1	0400140	SCREW, 3/8"-16 X 4" HEX HD CAP
5	3	0400392	NUT, 3/8"-16 NYLOK HEX
6	2	0700511	CABLE GUIDE, BOTTOM
7	1	0700563	SHAFT, SHEAVE
8	1	0802027	CABLE GUIDE WELDMENT
9	1	0804450	BOOM END SWIVEL WELDMENT

Section II - PARTS (cont'd)

PROPORTIONAL CONTROL KIT W/DW

REF. NO.	NO. REQ'D	PART NUMBER	DESCRIPTION
1	20 FT.	0300077	WIRE, 16 GA. RED
2	12 FT.	0300078	WIRE, 16 GA. BLACK
3	150 FT.	0300080	WIRE, 16 GA. WHITE STRANDED
4	8	0300188	HOSE CLAMP, 1-1/2"
5	4	0301934	DOOR STOP
6	2	0302677	BREATHER VENT, 1/8 MP
7	2	0303557	WIRING HARNESS, AIR FREE SPOOL
8	2	0306537	EMERGENCY SWITCH
9	12	0306540	ROTARY SELECT SWITCH OPERATOR
10	2	0306565	PUSH BUTTON OPERATOR W/MTG (BLUE)
11	1	0306916	WIRING HARNESS, OUTRIGGERS
12	2	0306977	BRASS PLUG, 1/8
13	1	0306978	TERMINAL BLOCK W/SCREW
14	1	0306980	AIR SOL STK 12VDC 4 BANK
15	1	0307090	WIRING HARNESS, RT SIDE OUTRIGGERS
16	1	03037397	12 FUNCTION PROPORTIONAL RADIO SYSTEM
17	1	0307792	WIRE HARNESS UNDERLIFT FUNCTION
18	1	0307794	WIRE HARNESS AIR FREE SPOOL
19	3	0400005	SCREW, #6-32 X 1/2" SS
20	4	0400042	SCREW, 10-24 X 1/2" THRD CUT FL
21	6	0400061	SCREW, 1/4"-20 X 3/4" MACH
22	8	0400101	SCREW, 5/16"-18 X 1" RD MACH HD SS
23	6	0400367	NUT, 1/4"-20 HEX NYLOK
24	8	0400379	NUT, 5/16"-18 "J" TINNEMAN
25	3	0402094	NUT, #6-32 HEX SS
26	1	0714320	SUPPORT, SOLENOID VALVE
27	1	0714324	SUPPORT, LEFT CONTROL
28	1	0714325	SUPPORT, RIGHT CONTROL
29	4	9010030	BRASS ELBOW, 1/4T-1/8MPX

Section II - PARTS (cont'd)

HYDRAULIC CYLINDERS

REF. NO.	NO. REQ'D	PART NUMBER	DESCRIPTION
1 --	1 --	0303501 0304590	UNDERLIFT EXTEND CYLINDER SEAL KIT, UNDERLIFT EXTEND CYLINDER
2 --	1 --	0306746 0304609	UNDERLIFT FOLD CYLINDER SEAL KIT, UNDERLIFT FOLD CYLINDER
3 --	2 --	0307378 --	UNDERLIFT TILT CYLINDER SEAL KIT, UNDERLIFT TILT CYLINDER
4 --	1 --	HC0159 0304522	UNDERLIFT LIFT CYLINDER SEAL KIT, UNDERLIFT LIFT CYLINDER
5 --	1 --	0302830 0304333	2-STAGE BOOM EXTEND CYLINDER SEAL KIT, 2-STAGE BOOM EXTEND CYLINDER
6 --	2 --	0303092 0304434	2-STAGE BOOM LIFT CYLINDER SEAL KIT, 2-STAGE BOOM LIFT CYLINDER
7 --	2 --	0307158 0304694	3-STAGE BOOM LIFT CYLINDER SEAL KIT, 3-STAGE BOOM LIFT CYLINDER
8 --	1 --	0307393 --	3-STAGE BOOM EXTEND CYLINDER SEAL KIT, 3-STAGE BOOM EXTEND CYLINDER
9 --	2 --	0303550 0304594	FRONT OUTRIGGER EXTEND CYLINDER SEAL KIT, FRONT OUTRIGGER EXTEND CYL.
10 --	2 --	0303857 0301353	FRONT OUTRIGGER VERTICAL CYLINDER SEAL KIT, FRONT OUTRIGGER VERTICAL CYL.
11 --	2 --	0303857 0301353	REAR OUTRIGGER VERTICAL CYLINDER SEAL KIT, REAR OUTRIGGER VERTICAL CYL.
12 --	2 --	0307001 0304674	REAR OUTRIGGER EXTEND CYLINDER SEAL KIT, REAR OUTRIGGER EXTEND CYL.

Section II - PARTS (cont'd)

MISCELLANEOUS KITS

REF. NO.	NO. REQ'D	PART NUMBER	DESCRIPTION
1	50	0300132	CABLE TIE, T120R BLK 15 1/4"
2	2	0301215	WIRE ROPE, 3/4" 6X37 IWRC
3	50	0302433	CABLE TIE, 7 50 LB
4	4	0304564	GLASS TUBE LEV-0-GAGE II
5	2	0400066	SCREW, 1/4"-20 X 3/4" HEX HD CAP GR5 ZP
6	2	0400452	LOCKWASHER, 1/4" HELICAL ZP
7	2	0500686	DECAL, RETRACT CAUTION
8	2	0501167	NAME PLATE, CENTURY PLASTIC
9	1	0705907	PLATE, ACCESS COVER
--	--	0902333	GLAD HAND KIT
10	1	0301909	RECEPTACLE BOOT
11	2	0301944	GLAD HAND COUPLING, UNIVERSAL
12	2	0301945	GLAD HAND PLUG
13	2	0301946	BULKHEAD CONNECTOR
14	1	0301948	HD 7 WAY TRAILER CONNECTOR
15	2	0400070	SCREW, 1/4"-20 X 1" HEX HD CAP GR5 ZP
16	2	0400367	NUT, 1/4"-20 NYLOK HEX ZP
17	2	0400451	WASHER, 1/4" FLAT ZP
--	--	0903069	BACK UP ALARM KIT
18	2	0300077	WIRE, 16 GA, RED
19	6	0300153	WIRE CONNECTOR
20	0.25	0301812	HEAT SHRINK TUBE, 1/4" MELT
21	1	0303061	BACK UP ALARM, ECCO MS97
22	1	0303178	HEAT SHRINK, 1/4" (4 FT. LONG)
23	2	0400057	SCREW, 1/4"-20 X 1-1/4" HEX HD CAP
24	2	0400367	NUT, 1/4"-20 NYLOK HEX ZP
25	1	0500676	INSTR-INSTL BACKUP ALARM
--	--	0903997	MODULAR WIRING KIT, 1060S
26	5	GV57	RUBBER GROMMET
27	3	0300122	GROMMET, SPLIT PLASTIC
28	30	0300153	WIRE CONNECTOR
29	14	0300154	BUTT CONNECTOR, 10-12 GA. NON-INS.
30	35	0301503	#10 RING CONNECTOR, 10 - 12 GA
31	.5 FT.	0301812	HEAT SHRINK TUBE, 1/4"-IN. MELT
32	75	0302433	CABLE TIE, 7 50 LB
33	11	0302872	FEMALE TERMINAL
34	2	0302874	CONNECTOR, 6 WAY MALE
35	2	0302875	CONNECTOR, 6 WAY FEMALE
36	2 FT.	0303178	HEAT SHRINK, 1/4" (4 FT. LONG)
37	1	0303226	80 AMP CIRCUIT BREAKER

Section II - PARTS (cont'd)

MISCELLANEOUS KITS

REF. NO.	NO. REQ'D	PART NUMBER	DESCRIPTION
--	--	0903997	MODULAR WIRING KIT, 1060S (cont'd)
38	1	0303309	HARNESS, WIRING
39	1	0303310	HARNESS, WIRING
40	4	0303385	JUNCTION BOX, 10 POLE
41	2	0303583	PLUG, WEATHER PAK CONN 6 WAY
42	6	0303584	GROUND WIRE
43	13	0303770	CABLE SEAL, BLUE
44	2	0303775	MALE TERMINAL (12 GA)
45	16	0400070	SCREW, 1/4"-20 X 1" HEX HD CAP GR5 ZP
46	4	0400367	NUT, 1/4"-20 NYLOK HEX ZP
47	2	0712232	CHANNEL, LIGHT PROTECTOR
--	--	0903069	KIT, BACK UP ALARM
48	2 FT.	0300077	WIRE, 16 GA RED
49	6	0300153	WIRE CONNECTOR
50	.25 FT.	0301812	HEAT SHRINK TUBE 1/4" IN. MELT
51	1	0303061	BACK UP ALARM ECCO MS97
52	1 FT.	0303178	HEAT SHRINK, 1/4 (4 FT. LONG)
53	2	0400057	SCREW, 1/4"-20 X 1-1/4" HEX HD CAP
54	4	0400367	NUT, 1/4"-20 NYLOK HEX ZP
--	--	0906837	GROUND KIT BODY HARNESS
55	4	0302433	CABLE TIE, 7 50 LB
56	4	0306941	GROUND CABLE, 42"
57	4	0400382	NUT, 5/16"-18 NYLOK HEX ZP
58	8	0400481	LOCKWASHER, 3/8" EXT.TOOTH
59	4	0402043	SCREW, 3/8"-16NC X 1-1/4" HEX HD CAP SS
60	8	0402122	NUT, 3/8"-16NC HEX 316 SS
--	--	0904353	CHAIN RACK, ALUMINUM BODY
61	3	0400133	SCREW, 3/8"-16 X 3" HEX HD CAP GR5 ZP
62	3	0400392	NUT, 3/8"-16 NYLOK HEX ZP
63	1	0803768	CHAIN HANGER WELDMENT
--	--	0904612	BOOM ANGLE INDICATOR KIT
64	1	0307313	LH INCLINOMETER, REIKER
65	1	0307314	RH INCLINOMETER, REIKER
66	4	0400045	SCREW, #10-32 X 1/2" THRD CUT RD HD S/S
--	--	0906256	TRAY KIT
67	3	0400105	SCREW, 5/16"-18 X 1-1/4" SELF TAP
68	2	0400133	SCREW, 3/8"-16 X 3" HEX HD CAP GR5 ZP
69	2	0400392	NUT, 3/8"-16 NYLOK HEX ZP

Section II - PARTS (cont'd)

MISCELLANEOUS KITS

REF. NO.	NO. REQ'D	PART NUMBER	DESCRIPTION
--	--	0906256	TRAY KIT (cont'd)
70	2	0400480	WASHER, 3/8" FLAT ZP
71	1	0804229	TRAY WELDMENT
--	--	0906546	MODULAR LIGHT KIT
72	10	0300117	RUBBER GROMMET, 316
73	16	0300844	3/4" X 1/8" CLOSED CELL
74	24	0301503	#10 RING CONN. 10 - 12 GA
75	1.5	0301812	HEAT SHRINK TUBE, 1/4" MELT
76	4	0302201	BACKUP LIGHT
77	18	0302544	DOME LIGHT, M 390S
78	8	0302611	LIGHT, AMBER
79	6	0303178	HEAT SHRINK, 1/4" (4 FT. LONG)
80	2	0306778	TAIL LIGHT (LT-BOTTOM, RT-TOP)
81	2	0306779	TAIL LIGHT (LT-TOP, RT-BOTTOM)
82	54	0400043	SCREW, #10-24 X 1" OVAL PHILHD MCH
83	66	0400045	SCREW, #10-32 X 1/2" THRD CUT RD S/S
84	24	0401024	SCREW, #8-32 X 1-1/2" RND MACH SL ALUM
--	--	0906705	TOOLBOX LOOM KIT, ROTATOR
85	15 FT.	HE0165	LOOM, 3/4" SPLIT CONDUIT
86	25 FT.	0302431	CONVOLUTED LOOM, 3/8
87	60 FT.	0302495	CONVOLUTED LOOM 1/4
--	--	0906838	GROUND KIT MTG. HARNESS, CENTURY
88	1	0400126	SCREW, 3/8"-16X1" HEX HD CAP GR5 ZP
89	1	0400382	NUT, 5/16"-18 NYLOK HEX ZP
90	1	0400481	LOCKWASHER, 3/8" EXT. TOOTH
91	1	0400499	LOCKWASHER, 3/4" EXT. TOOTH
92	1	0402122	NUT, 3/8"-16NC HEX 316 SS
93	1	0716468	GROUNDING LUG
--	--	124002368	REMOTE CONTROL (8) FUNCTION
--	--	0907725	REMOTE CONTROL (8) FUNCTION KIT
94	30	9022076	RING TERMINAL, 14-16 GA 10 ST
--	1	0903992	9 SWITCH PANEL KIT
95	15	0300153	WIRE CONNECTOR
96	3	0300176	3/8" RING TERMINAL
97	1	0301503	#10 RING CONNECTOR, 10 - 12 GA
98	1	0302746	SWITCH PANEL HARNESS, 5030
99	2	0303226	80 AMP CIRCUIT BREAKER

Section II - PARTS (cont'd)

MISCELLANEOUS KITS

REF. NO.	NO. REQ'D	PART NUMBER	DESCRIPTION
--	--	124002368	REMOTE CONTROL (8) FUNCTION (cont'd)
--	1	0903992	9 SWITCH PANEL KIT (cont'd)
100	4	0400084	SCREW, 1/4"-20X1-1/2" HEX HD CAP GR5 ZP
101	4	0400367	NUT, 1/4"-20 NYLOK HEX ZP
102	1	174013109	9 SWITCH PANEL, FLOOR MOUNT
--	--	0907558	GROUND KIT, BODY (POWER-PAL)
103	12	0302433	CABLE TIE, 7 50 LB
104	1	0307306	GROUND CABLE, 192"
--	--	0907693	SHIP PKG. REMOTE AIR ASSEMBLY
105	1	HA0132	GAUGE, 0-160 PSI
106	30 FT.	0301577	1/4" O.D. PLASTIC TUBING BLK
107	1	0302123	HEX NIPPLE, 4MP-4MP
108	65	0302434	CABLE TIE, 4" 18 LB
109	2	0303226	80 AMP CIRCUIT BREAKER
110	1	0303363	AIR FILTER/REGULATOR COMBO
111	1	0303364	AIR LUBRICATOR
112	1	0303365	MOUNTING BRACKET, AIR PREP
113	1	0306983	BRASS RUN TEE 1/4"T-1/4"MPX
114	2	0400021	SCREW, #8-32 X 1/2" RD HD PH MCH SS
115	4	0400062	SCREW, 1/4"-20 X 3/4" THRD CUT HEX
116	2	0400451	WASHER, 1/4" FLAT ZP
117	2	0402004	WASHER, #8 SS
118	2	0402024	SCREW, 1/4"-20 X 1-1/4" SOC HD
119	1	0710198	BRACKET, MARKER LIGHT
120	1	0717659	PLATE, HPDC MTG
121	1	9010520	BRASS ELBOW, 1/4"T-1/4"MP
--	--	0907726	BASIC REMOTE CONTROL (8) FUNCTION
122	1	0306675	POWER PAL, HPDC08 8 FUNCTION WIRED
123	1	0307221	JUNCTION BOX, 18 PIN
124	4	0401032	NUT, 1/4"-20 HEX ALUM
125	4	0401033	LOCKWASHER, 1/4" ALUM
126	8	0401034	WASHER, 1/4" FLAT ALUM
127	4	0401043	SCREW, 1/4"-20 X 1" RD MACH SLOT
128	--	0906412	8 FUNCTION AIR ASSEMBLY INSTALL
129	10	0300166	WIRE CONNECTOR, SPADE
130	24 FT.	0301577	1/4" O.D. PLASTIC TUBING BLK
131	24 FT.	0302495	CONVOLUTED LOOM, 1/4"
132	4	0306698	AIR CYLINDER, 1.5 BORE/1.71 STROKE
133	4	0400057	SCREW, 1/4"-20 X 1-1/4" HEX HD CAP

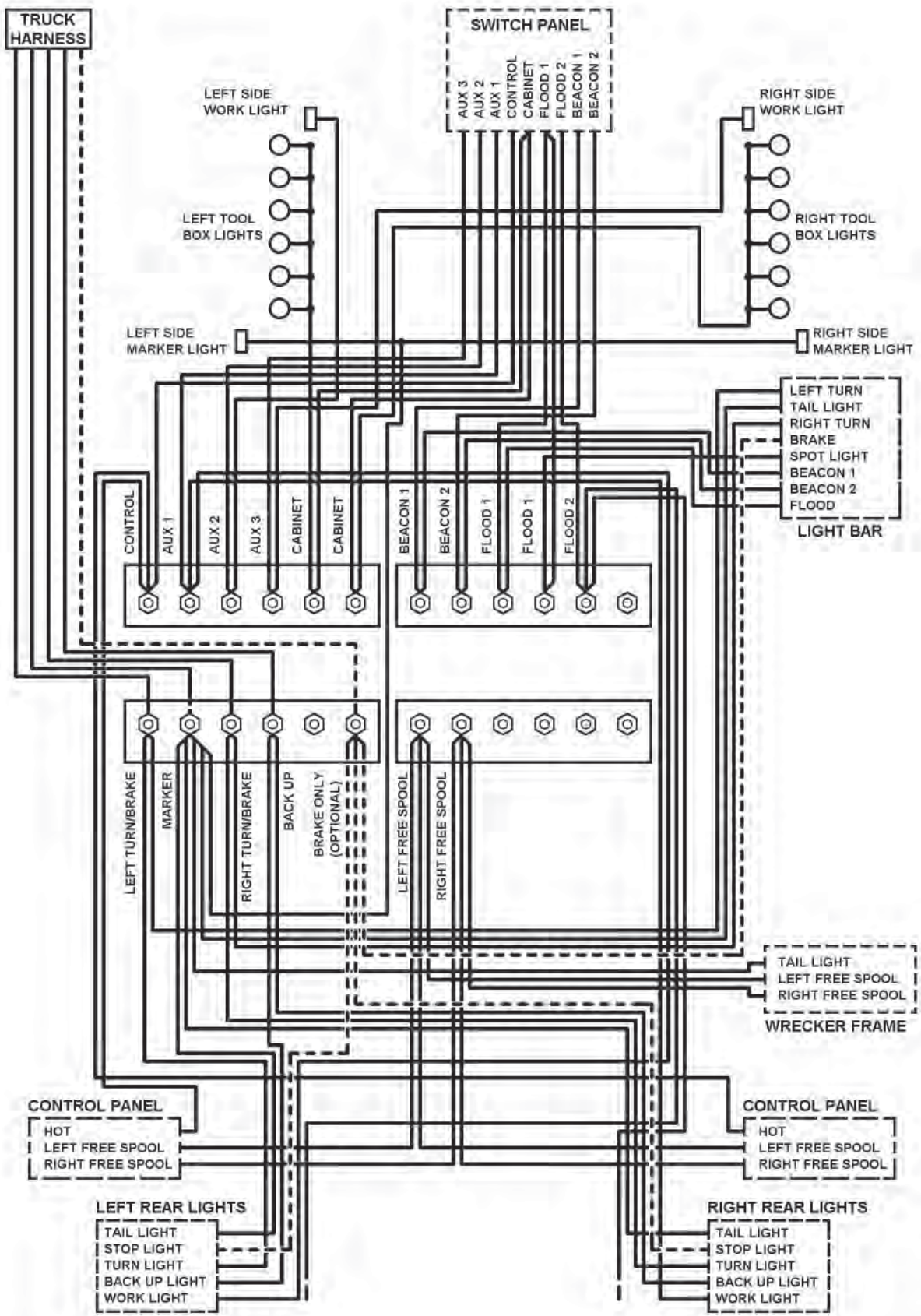
Section II - PARTS (cont'd)

MISCELLANEOUS KITS

REF. NO.	NO. REQ'D	PART NUMBER	DESCRIPTION
--	--	124002368	REMOTE CONTROL (8) FUNCTION (cont'd)
--	--	0907726	BASIC REMOTE CONTROL (8) FUNC. (cont'd)
134	4	0400367	NUT, 1/4"-20 NYLOK HEX ZP
135	4	0400401	NUT, 7/16"-20 HEX JAM PL
136	4	0400527	CLEVIS PIN, 5/16" X 1" X 5/8" GRIP
137	4	0803181	CLEVIS WELDMENT
138	8	9010030	BRASS ELBOW, 1/4"T-1/8"MPX
--	--	0906904	8 FUNCTION SOLENOID ASSEMBLY
139	3	0300201	RING CONNECTOR, 5/16"
140	1	0301601	HOSE CLAMP, 5/8" INSULATED
141	6	0302434	CABLE TIE, 4" 18 LB
142	2	0302677	BREATHER VENT, 1/8"MP
143	1	0306670	HARNESS, 8 FUNCTION POWER PAL
144	1	0306976	AIR SOL STK 12VDC 10 BANK
145	2	0306977	BRASS PLUG, 1/8
146	1	0306978	TERMINAL BLOCK W/SCREW
147	2	0400025	SCREW, #8-32 X 3/4" RD SLOTTED HD
148	2	0400066	SCREW, 1/4"-20 X 3/4" HEX HD CAP GR5 ZP
149	2	0400351	#8-32 HEX NUT & STAR WASHER ZP
150	4	0400367	NUT, 1/4"-20 NYLOK HEX ZP
151	1	0400451	WASHER, 1/4" FLAT ZP
152	4	0400458	LOCKWASHER, 1/4" STAR ZP
153	2	0402002	NUT, #8-32 K-LOCK SS
154	4	0701350	CLEVIS
155	2	0710198	BRACKET, MARKER LIGHT
156	4	0711252	ROD
157	1	0711277	SUPPORT, SOLENOID VALVE
158	1	9010024	BRASS CONNECTOR, 1/4"T-1/8"MP
159	10	9010030	BRASS ELBOW, 1/4"T-1/8"MPX
160	14	9022076	RING TERMINAL, 14-16 GA 10 ST

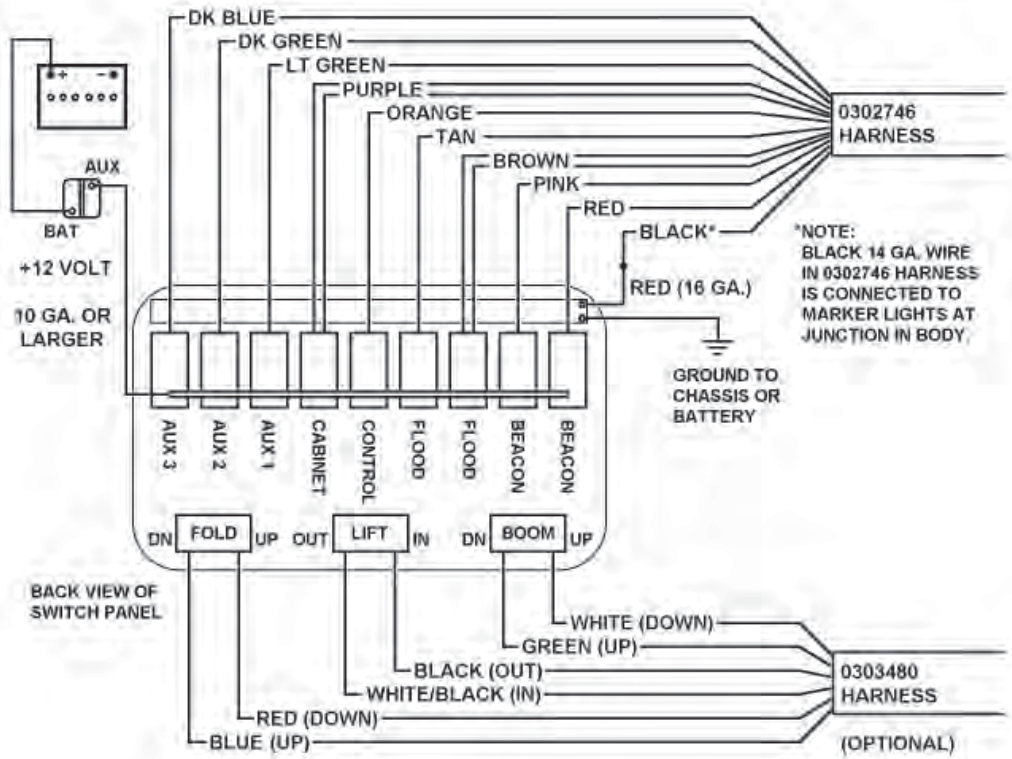
Section III - SCHEMATICS

ELECTRICAL

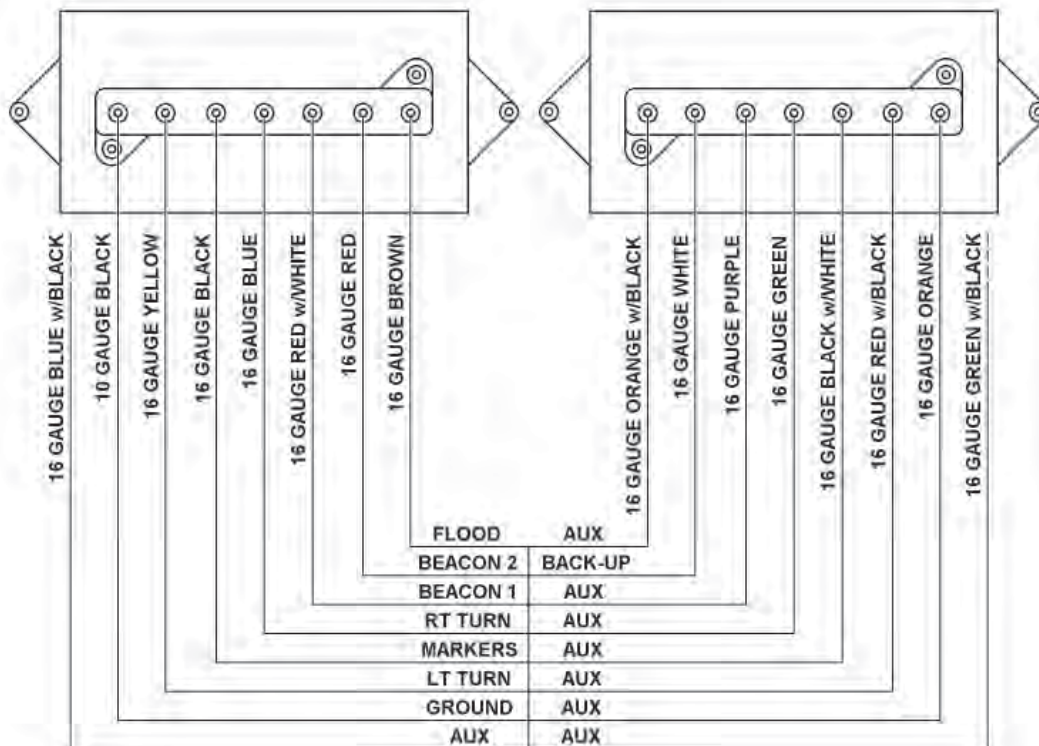


Section III - SCHEMATICS (cont'd)

SWITCH PANEL WIRING

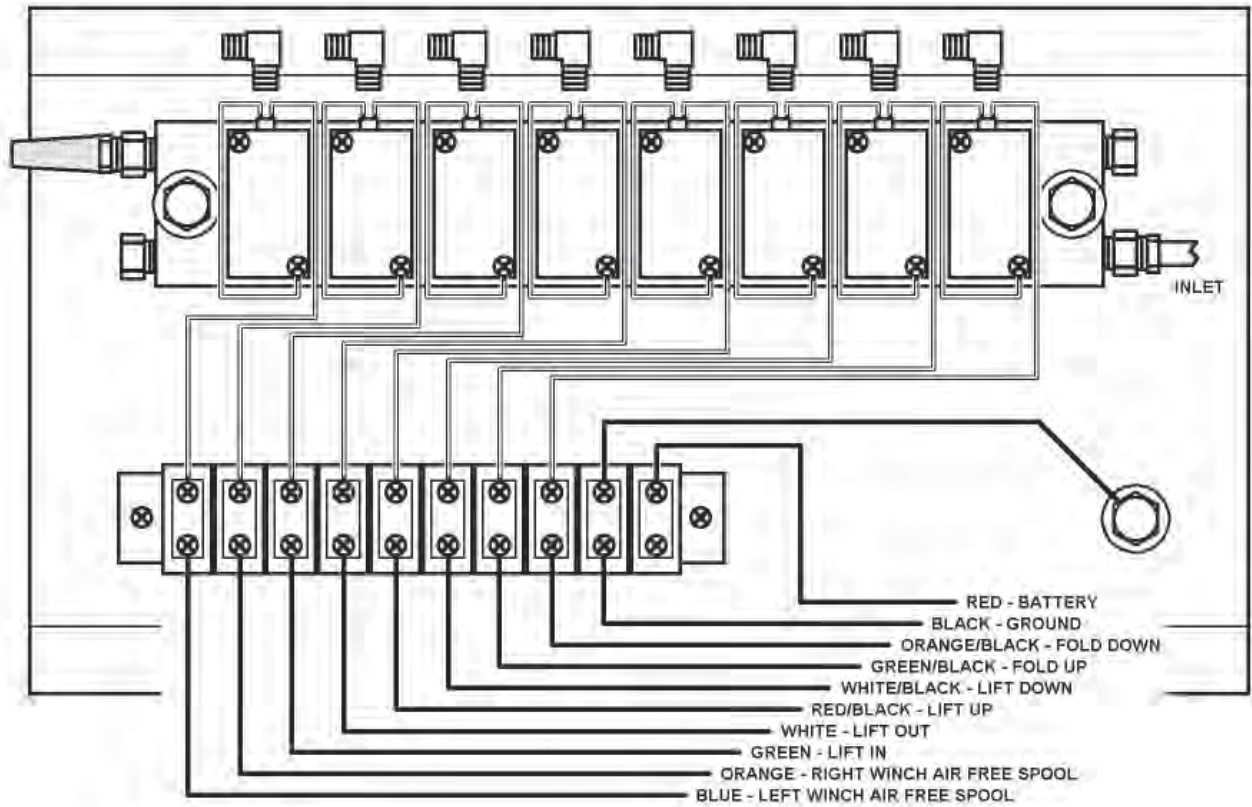


16 CIRCUIT COLLECTOR RING

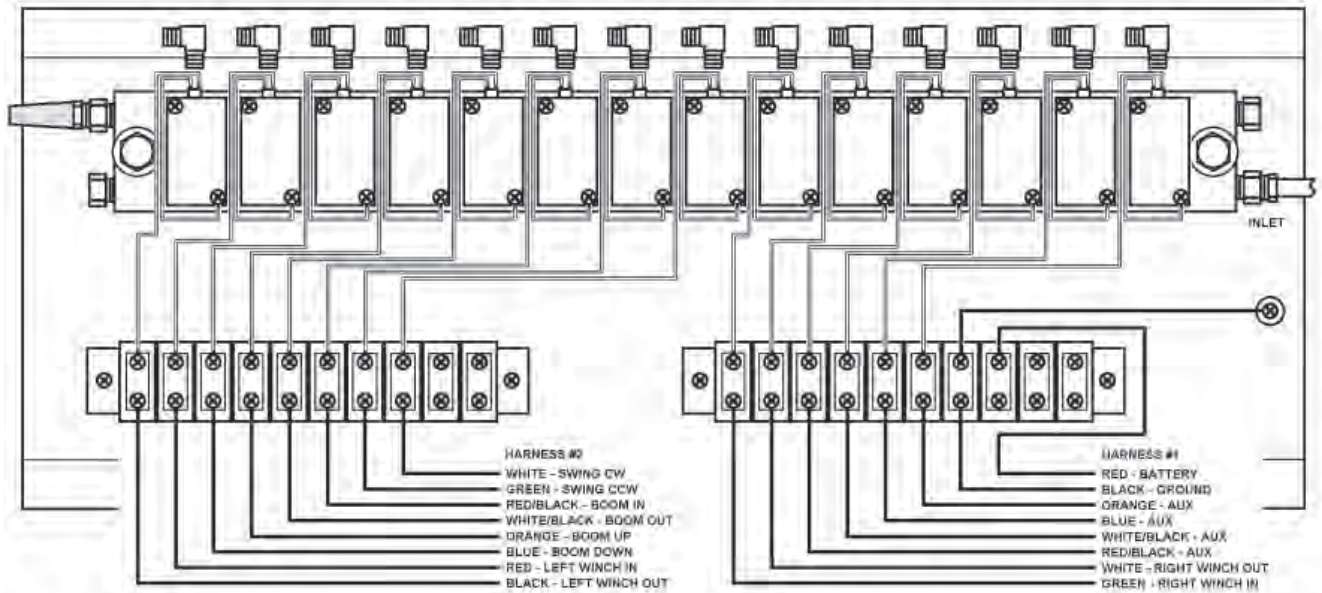


Section III - SCHEMATICS (cont'd)

REMOTE CONTROL ELECTRICAL



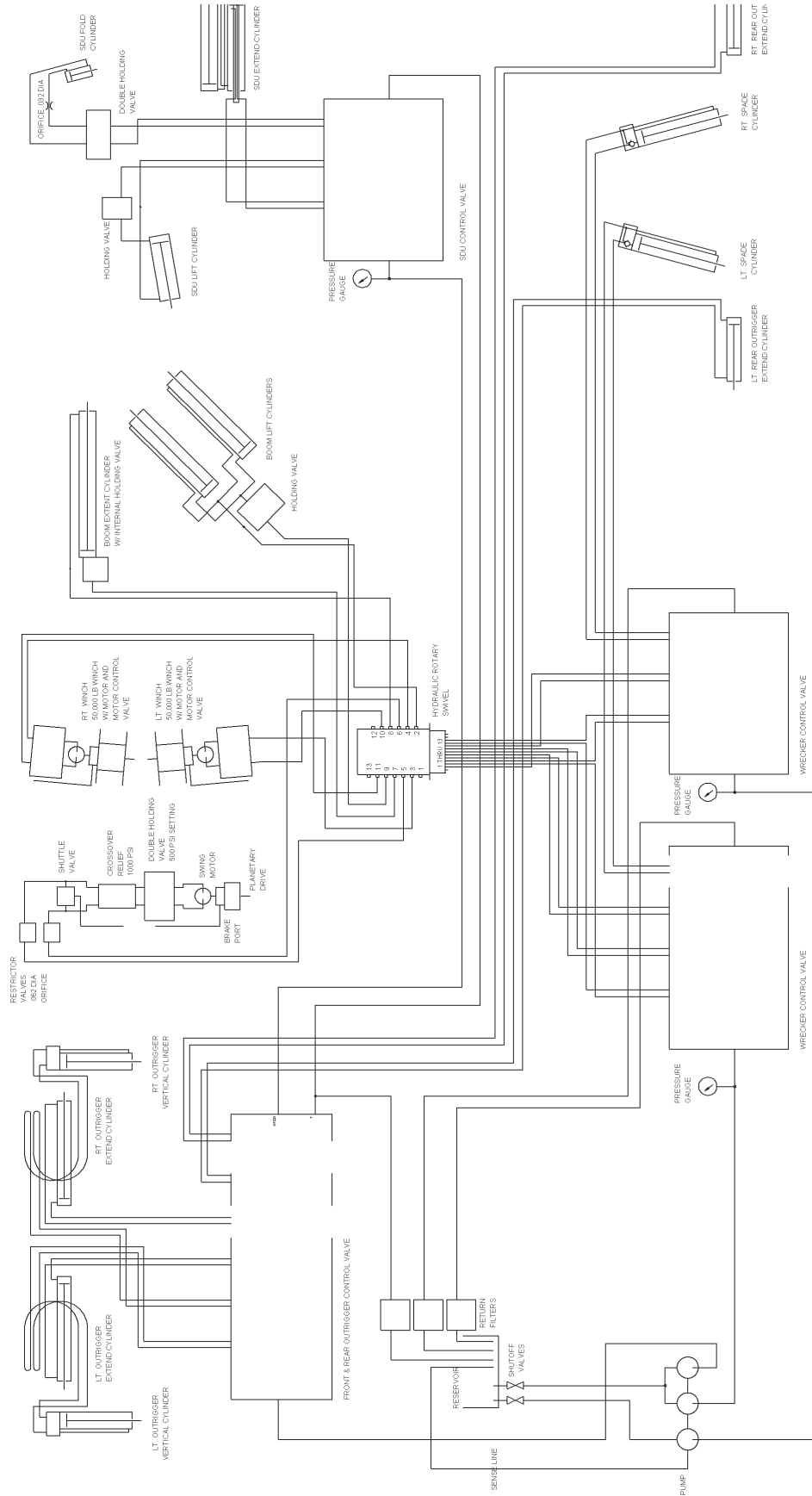
8-POSITION POWER PAL



15-POSITION POWER PAL

Section III - SCHEMATICS (cont'd)

HYDRAULIC



CENTURY®

Miller Industries Towing Equipment Inc.

8503 Hilltop Drive • Ooltewah, Tennessee 37363 • (423) 238-4171

www.millerind.com