

CENTURY®

L E G E N D A R Y L E A D E R S H I P



OWNER'S MANUAL

7035 2-SPEED

PARTS

NOTE: MANUAL including SPECIFICATIONS, subject to change without notice.
All ratings specified are based on structural factors only,
not vehicle capacities or capabilities.

CENTURY®

Miller Industries Towing Equipment Inc.
8503 Hilltop Drive
Ooltewah, Tennessee 37363
Phone (423) 238-4171 • FAX (423) 238-5371

FORM NO. 0501767
03 / 2011
PRICE \$25.00

LIMITED WARRANTY

MILLER INDUSTRIES TOWING EQUIPMENT INC., hereinafter referred to as MILLER, warrants to the original purchaser that each new MILLER wrecker or other MILLER products will be free from defects in material and workmanship for a period of twelve (12) months from date placed in service, but in no event shall such warranty period exceed twenty-four (24) months from date of manufacture by MILLER. The purchaser must promptly notify MILLER in writing of any failure in material or workmanship. In no event shall MILLER accept such notification later than twenty-four (24) months from date of delivery or twelve (12) months from date placed in service, whichever is earlier.

MILLER's obligation under this warranty, statutory or otherwise, is limited to the repair or replacement at the MILLER factory, or at a point designated by MILLER, of such part or parts as shall appear upon inspection by MILLER to be defective in material or workmanship. New or remanufactured parts will be used for any replacement at MILLER's option. This warranty is not transferable. This warranty does not obligate MILLER to bear the cost of labor or transportation charges in connection with the repair or replacement of any parts found to be defective, nor shall it apply to a product upon which repairs or alterations have been made unless authorized by MILLER.

EXCEPT AS EXPRESSLY SET FORTH IN THIS WARRANTY, MILLER MAKES NO OTHER WARRANTY, EXPRESS OR IMPLIED, AND HEREBY DISCLAIMS ALL OTHER WARRANTIES INCLUDING, BUT NOT LIMITED TO, THE IMPLIED WARRANTIES OF MERCHANTABILITY AND FITNESS FOR A PARTICULAR PURPOSE. MILLER shall in no event be liable for claimed downtime, claimed loss of profits or goodwill, or any other special, incidental, indirect, or consequential damages concerning or relating to any product or parts, whether based on negligence, strict liability, breach of contract, breach of warranty, misrepresentation or any other legal theory, regardless of whether the loss resulted from any general or particular requirement which MILLER knew or had reason to know about at the time of sale.

MILLER MAKES NO WARRANTY, EXPRESS OR IMPLIED, AS TO THE FINISHED PRODUCTS MANUFACTURED OR SUPPLIED BY ANOTHER MANUFACTURER AND SUPPLIED BY MILLER TO PURCHASER, including, but not limited to, any vehicle to which a MILLER product may be affixed or any accessories or wire rope, and MILLER EXPRESSLY DISCLAIMS ANY IMPLIED WARRANTIES OF MERCHANTABILITY OR FITNESS FOR A PARTICULAR PURPOSE AS TO SUCH EQUIPMENT OR PRODUCTS. This language shall in no way affect or diminish the rights of the purchaser to rely on such warranties as are extended by such manufacturers or suppliers. MILLER shall, to the extent permitted under applicable law, pass on to the purchaser such manufacturer's or seller's warranty.

MILLER, whose policy is one of continuous improvement, reserves the right to improve its products through changes in design or materials as it may deem desirable without being obligated to incorporate such changes in products previously sold. This warranty is not intended to cover or include the following items, which are set forth by way of example and not limitation:

- A. Normal deterioration of trim, paint, lettering, and appearance items due to wear or exposure to weather, road conditions, road treatments, etc.
- B. Any damage or defect due to accident, misuse, abuse, improper or unauthorized repairs, failure to provide reasonable and necessary maintenance, or uses for which the equipment was not designed or intended.
- C. Alterations or modifications that affect performance, operation or reliability.
- D. Normal maintenance parts including, but not limited to, wear pads, bushings, wire rope, mud flaps, fenderettes, light bulbs, hydraulic oil, filters, and tow sling belts.

IT IS EXPRESSLY UNDERSTOOD THAT MILLER MAKES NO IMPLIED WARRANTY THAT MILLER PRODUCTS SHALL BE FIT FOR THE PURPOSE OF LIFTING OR MOVING PEOPLE OR FOR ANY OTHER IMPROPER USE.



Miller Industries Towing Equipment Inc.
8503 Hilltop Drive
Ooltewah, Tennessee 37363
Telephone (423) 238-4171

SERIAL NUMBER

OWNER, USER AND OPERATOR:

We appreciate your choice of our towing and recovery unit for your application. Our number one priority is user safety which is best achieved by our joint efforts. We feel that you can make a major contribution to safety if you, as the equipment owner and operator:

- 1. Comply with Federal, State, and Local Regulations.**
- 2. Read, Understand, and Follow the Instructions in this Manual.**
- 3. Use Good, Safe Work Practices in a Common Sense Way.**
- 4. Only have Authorized and Trained Personnel performing maintenance on the Towing and Recovery Unit.**

TABLE OF CONTENTS

It is assumed by the manufacturer that the Owner/Operator has a thorough knowledge of the accepted and lawful retrieval and towing methods as dictated by his city, county or state. The manufacturer rejects any liability claim that may result from the incorrect or unlawful application of its equipment.

Section I - PARTS

SUBFRAME ASSEMBLY	I-2 thru I-5
BODY ASSEMBLY	I-6 & I-7
BOOM ASSEMBLY	I-8 thru I-11
UNDERLIFT & TOWER ASSEMBLY	I-12 thru I-15
BOOM HYDRAULICS	I-16 & I-17
UNDERLIFT HYDRAULICS	I-18 & I-19
PUMP, VALVE & FILTER HYDRAULICS	I-20 & I-21
WINCH HYDRAULICS	I-22 & I-23
SPADE HYDRAULICS	I-24 & I-25
CONTROL LINK KIT	I-26 & I-27
LEFT CONTROL ASSEMBLY	I-28 & I-29
RIGHT CONTROL ASSEMBLY	I-30 & I-31
PARTS LIST 7035 - 2-SPEED	I-32 thru I-46
PARTS LIST 7035 - 2-SPEED W/ LOWRIDER 3	I-47 & I-48

Section VI - PARTS

This Section is provided by the manufacturer for the purpose of ordering any component part of the **Century 7035** that may be required when part replacement is necessary. Be certain to use only original equipment replacement parts for warranty purposes as well as for keeping your unit in its original state and optimum operating capacities.

When ordering replacement or spare parts be sure to provide the following information to the manufacturer's **Parts Department**.

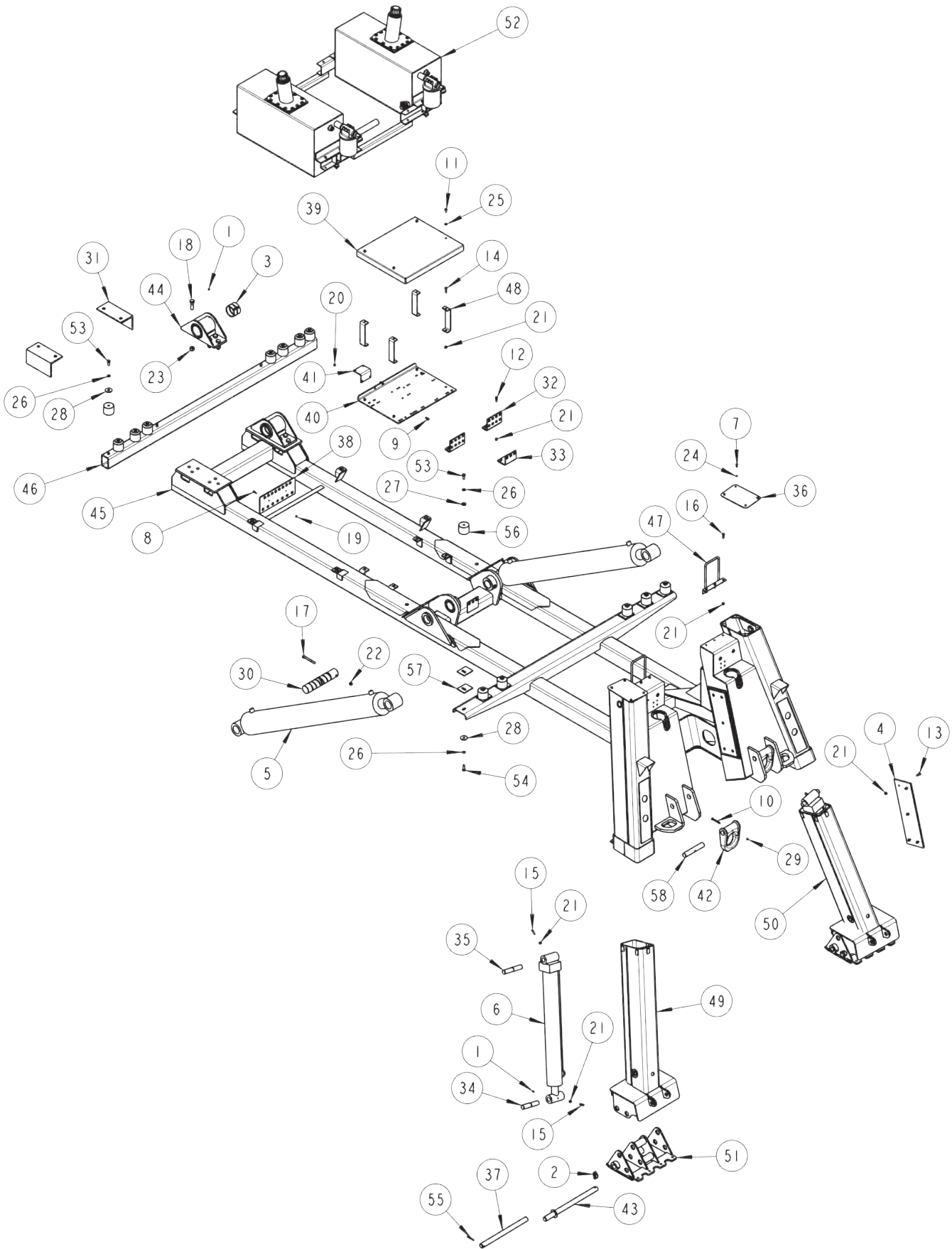
1. **Manual Number & Date of Publication**
2. **Manual Page Number**
3. **Page Title**
4. **Reference Number of Part Desired**
5. **Part Number**
6. **Part Description**
7. **Quantity of Part Desired**

Providing this information will help ensure that the correct parts will be delivered to you in an expedient manner without delay. Should additional information be required for repair or replacement of certain components, contact your Wrecker Manufacturer Authorized Representative.

The Manufacturer reserves the right, without notice or obligation, to improve or modify their products, which may change the specifications, models and feature availability.

Section I - PARTS (cont'd)

SUBFRAME ASSEMBLY



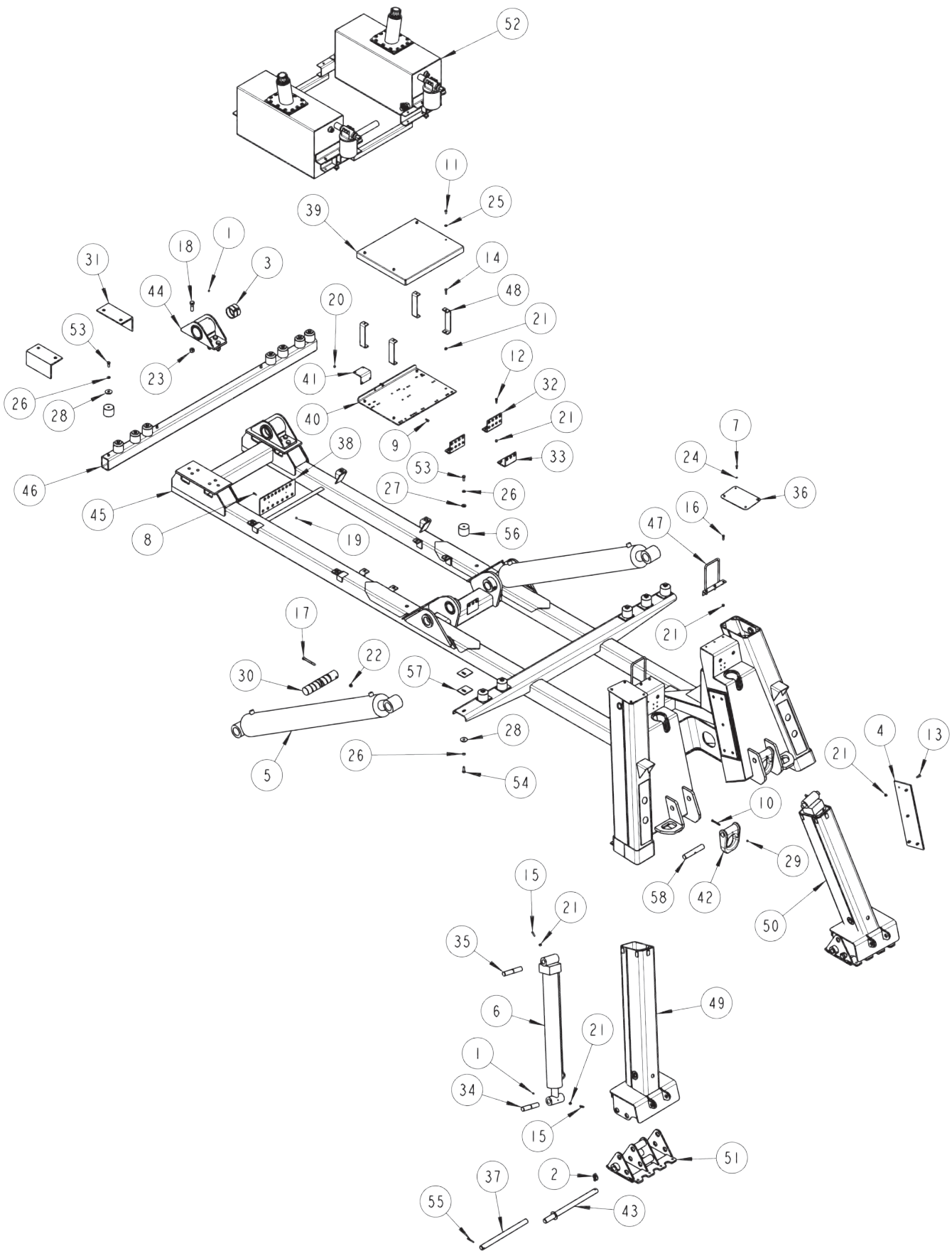
Section I - PARTS (cont'd)

SUBFRAME ASSEMBLY

ITEM	PART NUMBER	DESCRIPTION	QTY
1	0300113	GREASE FITTING, 1/4-28 STRAIGHT	4
2	0301861	QUICK PIN	2
3	0302538	SPRING BUSHING, 3.5OD X 3ID X 2.5	2
4	0303089	RAMP PAD	2
5	0306747	CYL - BOOM LIFT	2
6	0307843	CYLINDER - 4" BORE 30" STROKE	2
7	0400066	1/4-20 X 3/4 HHCS GR.5, ZP	8
8	0400070	1/4-20 X 1 HHCS GR5 ZP	2
9	0400109	5/16-18 X 1 HHCS GR.5, ZP	2
10	0400114	5/16-18 X 3 HHCS GR 5 ZP	2
11	0400121	3/8-16NC X 3/4 HHCS GR. B	4
12	0400122	3/8-16 X 1 1/4 HHCS GR.5, ZP	6
13	0400128	3/8-16X1.25 FLAT HD SOC	10
14	0400132	3/8-16 X 1 1/2 HHCS GR.5, ZP	4
15	0400139	SCREW, 3/8"-16 X 1-1/2" HEX SKT SET	4
16	0400148	3/8-16 X 1-1/4 HHCS GR5 ZP	6
17	0400219	1/2-13 X 4-1/2 HHCS GR.5 ZP	2
18	0400288	3/4-10 X 2-1/2 HHCS GR.8 GOLD	12
19	0400367	1/4-20 NYLOCK HEX NUT ZP	2
20	0400382	5/16-18 NYLOCK HEX NUT ZP	2
21	0400392	3/8-16 NYLOCK HEX NUT ZP	30
22	0400408	1/2-13 NYLOCK HEX NUT ZP	2
23	0400431	3/4-10 NYLOCK HEX NUT GR.8, ZP	12
24	0400452	1/4 HELICAL LOCK WASHER ZP	8
25	0400482	3/8 HELICAL LOCK WASHER ZP	4
26	0400491	1/2 HELICAL LOCK WASHER ZP	20
27	0400497	1/2 FLAT WASHER GR.8, YZ PLATED	6
28	0400498	WASHER, 1/2' ID X 2" OD X .150	14
29	0400776	5/16-18 HEX NUT JAM NYLOK	2

Section I - PARTS (cont'd)

SUBFRAME ASSEMBLY (cont'd)



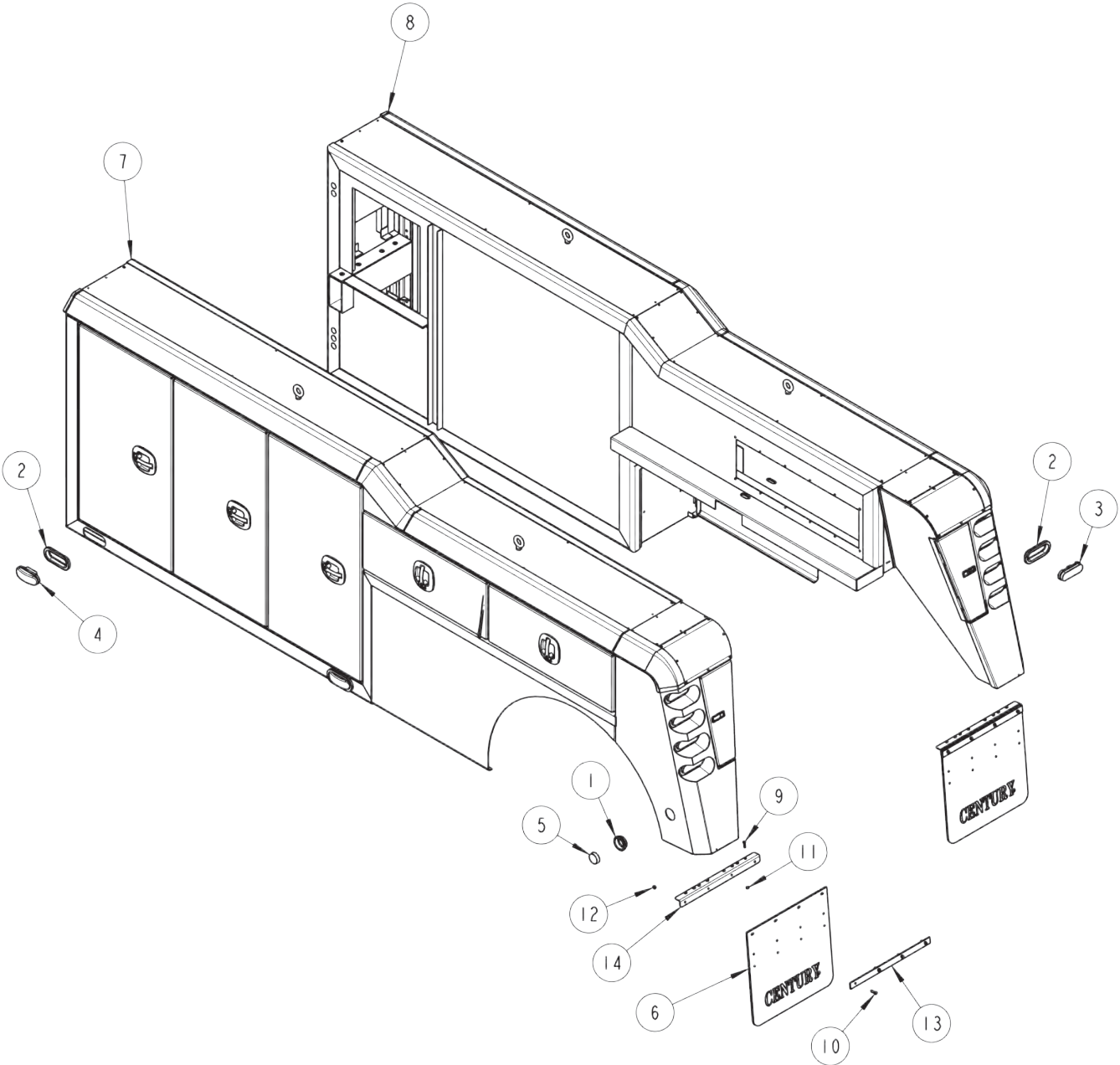
Section I - PARTS (cont'd)

SUBFRAME ASSEMBLY (cont'd)

ITEM	PART NUMBER	DESCRIPTION	QTY
30	0708094	PIN - LIFT CYLINDER	2
31	0710545	HR ANGLE	2
32	0711249	PLATE - CONTROL BOX	2
33	0711250	PLATE - CONTROL BOX	1
34	0713128	SHAFT - LOWER SPADE	2
35	0713129	SHAFT - UPPER SPADE	2
36	0715584	COVER PLATE	2
37	0715694	PIN - SPADE PIVOT	2
38	0716201	PLATE - BULKHEAD MOUNTING	1
39	0717066	COVER - VALVE	1
40	0717827	PLATE - VALVE MOUNTING	1
41	0719122	PLATE - VALVE MTG.	1
42	0719585	"D" RING - TOWING	2
43	0804334	PIN, MULTI-POSITION	2
44	0804405	BOOM PIVOT BRKT	2
45	0806001	SUBFRAME WELDMENT	1
46	0806004	FRONT TOOLBOX MOUNT	1
47	0806521	HAND RAIL WLMT	2
48	0807181	COVER SUPPORT WLMT	4
49	0807627	INNER SPADE WLMT (LH)	1
50	0807628	INNER SPADE WLMT (RH)	1
51	0807630	LOWER SPADE PAD WELDMENT	2
52	0907802	KIT - RESERVOIR	1
53	9041402	1/2-13NC X 1 1/4 HHCS, ZP, GR.8	14
54	9041403	1/2-13 X 1-1/2 HHCS GR 8 ZP	6
55	9046354	1/4 X 2-1/2 ROLL PIN ZP	2
56	9402970	TOOLBOX MTG. PAD	14
57	942480011	REAR WASHER PLATE	12
58	GA0215	PIN, D RING	2

Section I - PARTS (cont'd)

BODY ASSEMBLY



Section I - PARTS (cont'd)

BODY ASSEMBLY

ITEM	PART NUMBER	DESCRIPTION	QTY
1	0303127	GROMMET, MARKER LIGHT	2
2	0303128	GROMMET, TAIL LIGHT	12
3	0306958	LIGHT OVAL AMBER 60 LED	8
4	0307220	LIGHT OVAL AMBER 60 LED	4
5	0310496	MARKER LAMP, RED 2-1/2" ROUND	2
6	0310631	MUD FLAP	2
7	0310975	TOOLBOX LH AL 156CA 2010	1
8	0310976	TOOLBOX RH AL 156CA 2010	1
9	0400103	5/16-18 X 1 1/4 HHCS GR.5, ZP	16
10	0400148	3/8-16 X 1-1/4 HHCS GR5 ZP	8
11	0400382	5/16-18 NYLOCK HEX NUT ZP	16
12	0400392	3/8-16 NYLOCK HEX NUT ZP	8
13	0717386	BAR - MUDFLAP	2
14	0718139	ANGLE - MUD FLAP MOUNT	2

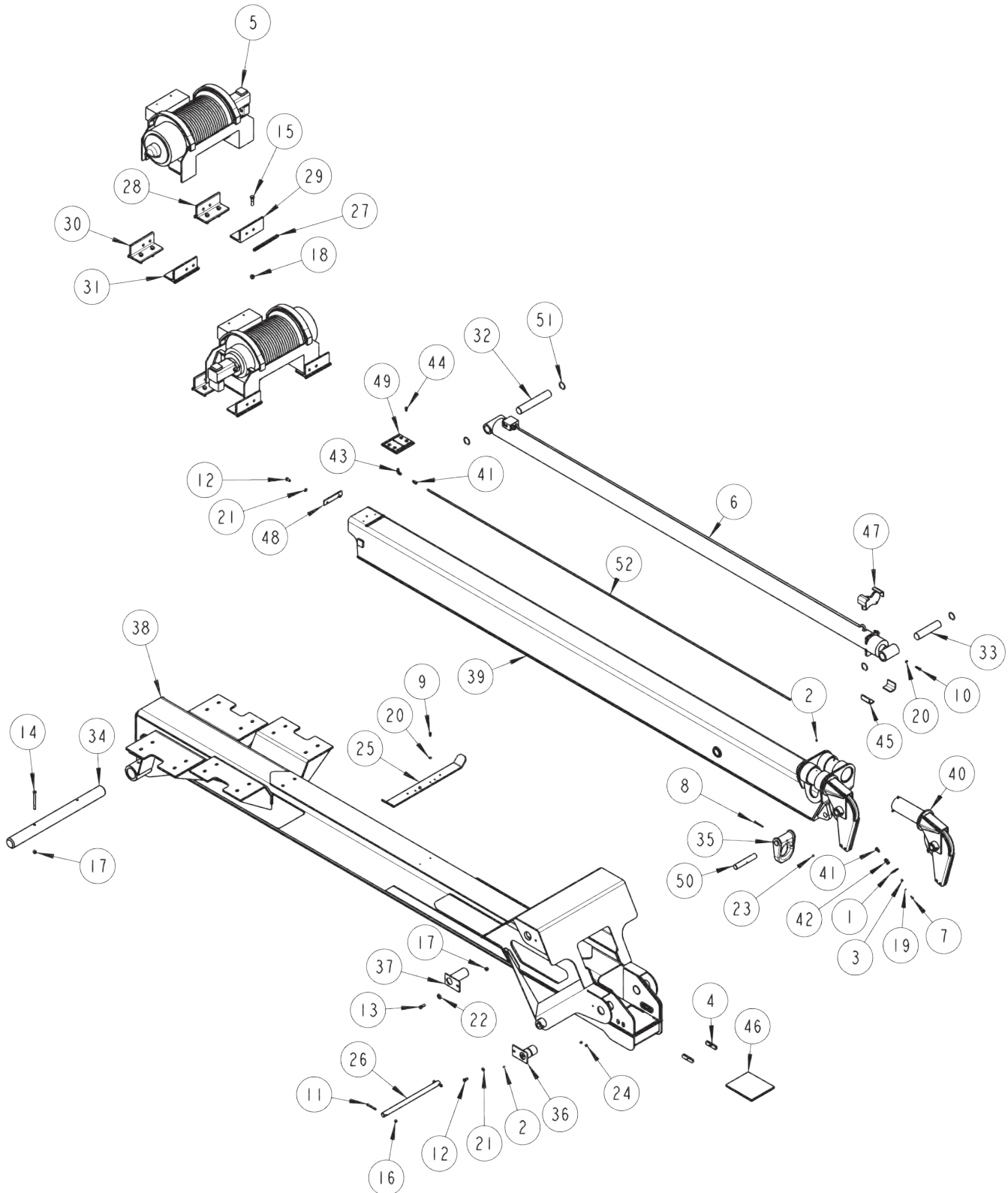
Section I - PARTS (cont'd)

BOOM ASSEMBLY

ITEM	PART NUMBER	DESCRIPTION	QTY
1	3012-793001	PLATE - LUBE MOUNT	1
2	0300113	GREASE FITTING, 1/4-28 STRAIGHT	4
3	0301895	GREASE FITTING, 1/8 NPT STRAIGHT	1
4	0303490	WEAR PAD (1/2 X 1 X 4)	2
5	0303799	WINCH, DP35K 2-SPEED	1
6	0306743	CYLINDER, BOOM EXTEND	1
7	0400059	1/4-20 X 5/8 HHCS GR 5 ZP	2
8	0400114	5/16-18 X 3 HHCS GR 5 ZP	1
9	0400121	3/8-16NC X 3/4 HHCS GR. B	2
10	0400132	3/8-16 X 1 1/2 HHCS GR.5, ZP	2
11	0400133	3/8-16 X 3 HHCS GR.5, ZP	2
12	0400176	1/2-13 X 1 HHCS GR.5, ZP	4
13	0400181	1/2-13 X 1-1/2 HHCS GR 5 ZP	2
14	0400220	1/2-13 X 5-1/2 HHCS GR5 ZP	1
15	0400262	5/8-11 X 2 1/2 HHCS GR.8, ZP	16
16	0400392	3/8-16 NYLOCK HEX NUT ZP	2
17	0400408	1/2-13 NYLOCK HEX NUT ZP	3
18	0400426	5/8-11 NYLOCK NUT GR.8 ZP	16
19	0400452	1/4 HELICAL LOCK WASHER ZP	2
20	0400482	3/8 HELICAL LOCK WASHER ZP	4
21	0400491	1/2 HELICAL LOCK WASHER ZP	4
22	0400492	1/2 FLAT WASHER ZP	2
23	0400776	5/16-18 HEX NUT JAM NYLOK	1
24	0400990	1/2-13 X 1/2 SKT HD SET SCREW ZP	4
25	0705104	PLATE - SUPPORT	1
26	0707793	PIN - TILT CYLINDER ROD END	1

Section I - PARTS (cont'd)

BOOM ASSEMBLY (cont'd)



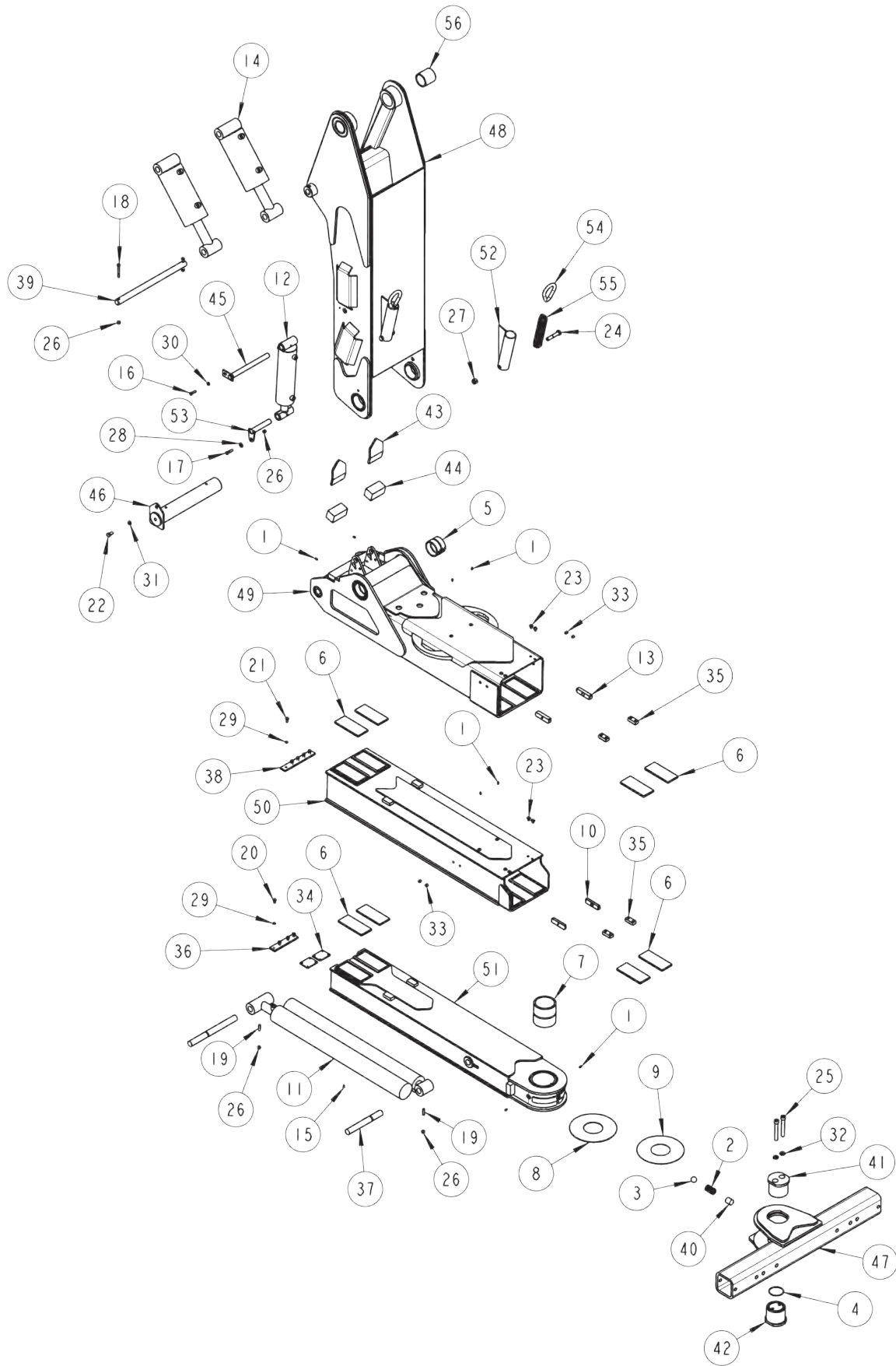
Section I - PARTS (cont'd)

BOOM ASSEMBLY (cont'd)

ITEM	PART NUMBER	DESCRIPTION	QTY
27	0711164	BLOCK - SHEAR	8
28	0715947	ANGLE - WINCH MOUNTING	2
29	0715948	ANGLE - WINCH MOUNTING	2
30	0715949	ANGLE - WINCH MOUNTING	2
31	0715950	ANGLE - WINCH MOUNTING	2
32	0715951	PIN - EXT CYL BASE	1
33	0715952	PIN - EXT CYL ROD	1
34	0715953	PIN - BOOM PIVOT	1
35	0719585	"D" RING - TOWING	1
36	0802365	PIN-TOWER PIVOT WLMT	2
37	0802463	LIFT CYL PIN WELDMT	2
38	0804402	OUTER BOOM WLMT - 7035	1
39	0804403	INNER BOOM WLMT	1
40	0906532	SWIVEL BOOM ASSEMBLY	2
43	9012584	ELBOW, 1/4 NPT X 3/8 TUBE 90	1
44	9044434	3/8-16X1 NC FLAT	2
45	915040501	BOTTOM CLAMP ANGLE EXT. CYL. ASSY	2
46	930100002	LOWER WEAR PAD - RECOVERY	1
47	930105000	SPIDER CLAMP - TOP WLMT	1
48	945030001	PAD RETAINING PLATE	1
49	945030004	WEAR PAD (UPPER)	1
50	GA0215	PIN, D RING	1
51	HD0151	SNAP RING - 2" INTERNAL	4
52	0301949	3/8" OD AIRLINE, SYNDFLEX	1

Section I - PARTS (cont'd)

UNDERLIFT & TOWER ASSEMBLY



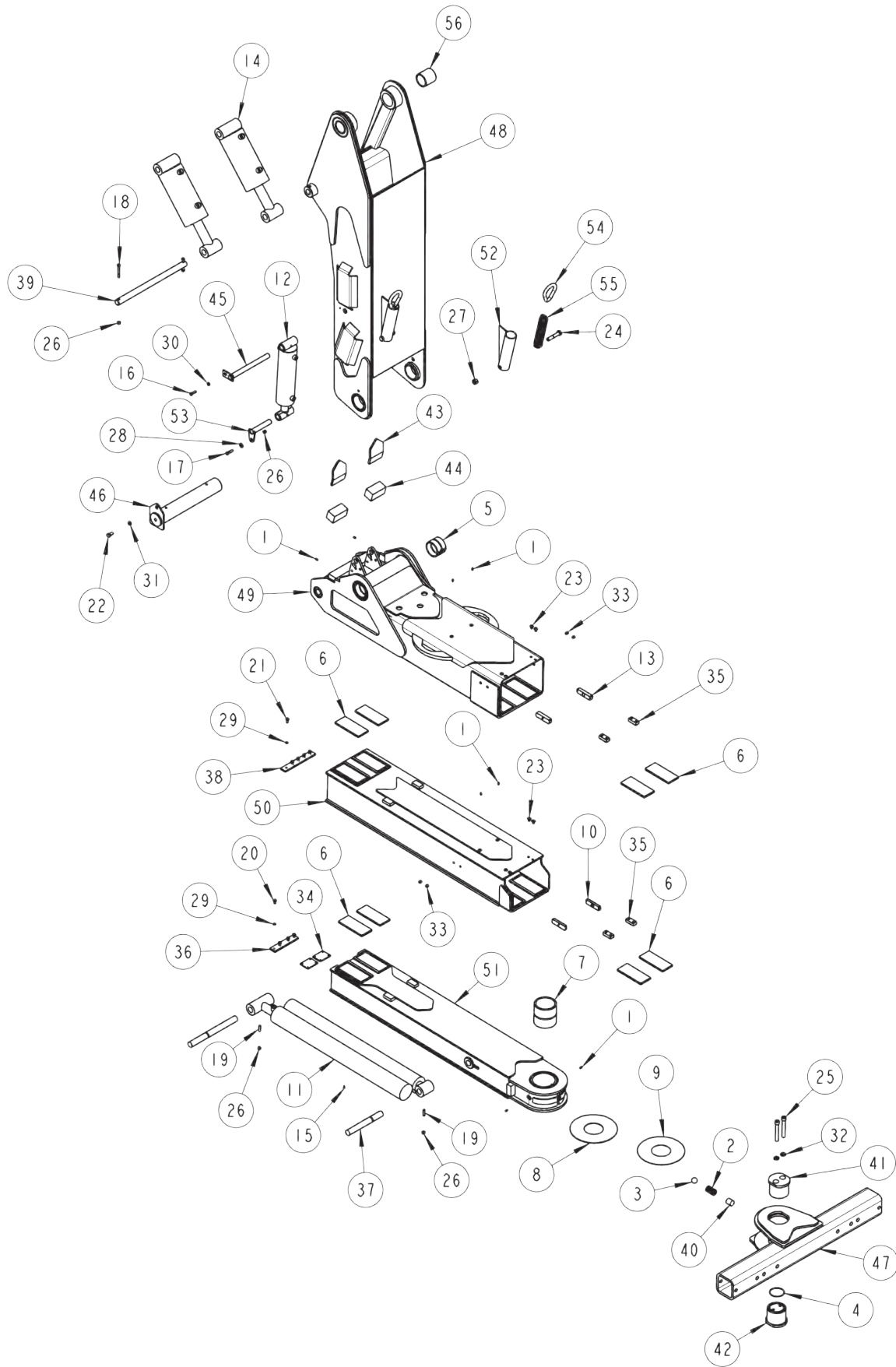
Section I - PARTS (cont'd)

UNDERLIFT & TOWER ASSEMBLY

ITEM	PART NUMBER	DESCRIPTION	QTY
1	0300113	GREASE FITTING, 1/4-28 STRAIGHT	8
2	0301197	DETENT SPRING	1
3	0301398	DETENT BALL	1
4	0301822	O-RING, PIVOT PIN	1
5	0302538	SPRING BUSHING, 3.5OD X 3ID X 2.5	2
6	0302561	SLIDE PAD	8
7	0303088	BUSHING, PIVOT PIN	1
8	0303097	THRUST WASHER, 1/8" THICK	1
9	0303098	THRUST WASHER, 1/16" THICK	1
10	0303490	WEAR PAD (1/2 X 1 X 4)	2
11	0306744	CYLINDER - U/L EXTEND	1
12	0306746	CYLINDER, HYD LIFT	1
13	0306825	PAD - WEAR	2
14	0307040	CYL - U/L TILT	2
15	0400044	DRIVE SCREW, #10-24 X 1/2" RD HD	8
16	0400122	3/8-16 X 1 1/4 HHCS GR.5, ZP	1
17	0400132	3/8-16 X 1 1/2 HHCS GR.5, ZP	1
18	0400133	3/8-16 X 3 HHCS GR.5, ZP	2
19	0400139	SCREW, 3/8"-16 X 1-1/2" HEX SKT SET	2
20	0400147	3/8-24X 5/8 HHCS GR5 ZP	4
21	0400151	3/8-24 X 3/4 HHCS GR5 ZP	5
22	0400176	1/2-13 X 1 HHCS GR.5, ZP	1
23	0400228	SCREW, 3/8"-24 X 5/8" BUTTON HEAD SKT	8
24	0400257	5/8-11 X 3-1/4 HHCS GR5 ZP	2
25	0400271	SCREW, 5/8"-11 X 4-1/2" SKT HD CAP	2
26	0400392	3/8-16 NYLOCK HEX NUT ZP	5
27	0400421	5/8-11 NYLOCK HEX NUT ZP	2
28	0400480	3/8 FLAT WASHER ZP	1

Section I - PARTS (cont'd)

UNDERLIFT & TOWER ASSEMBLY (cont'd)



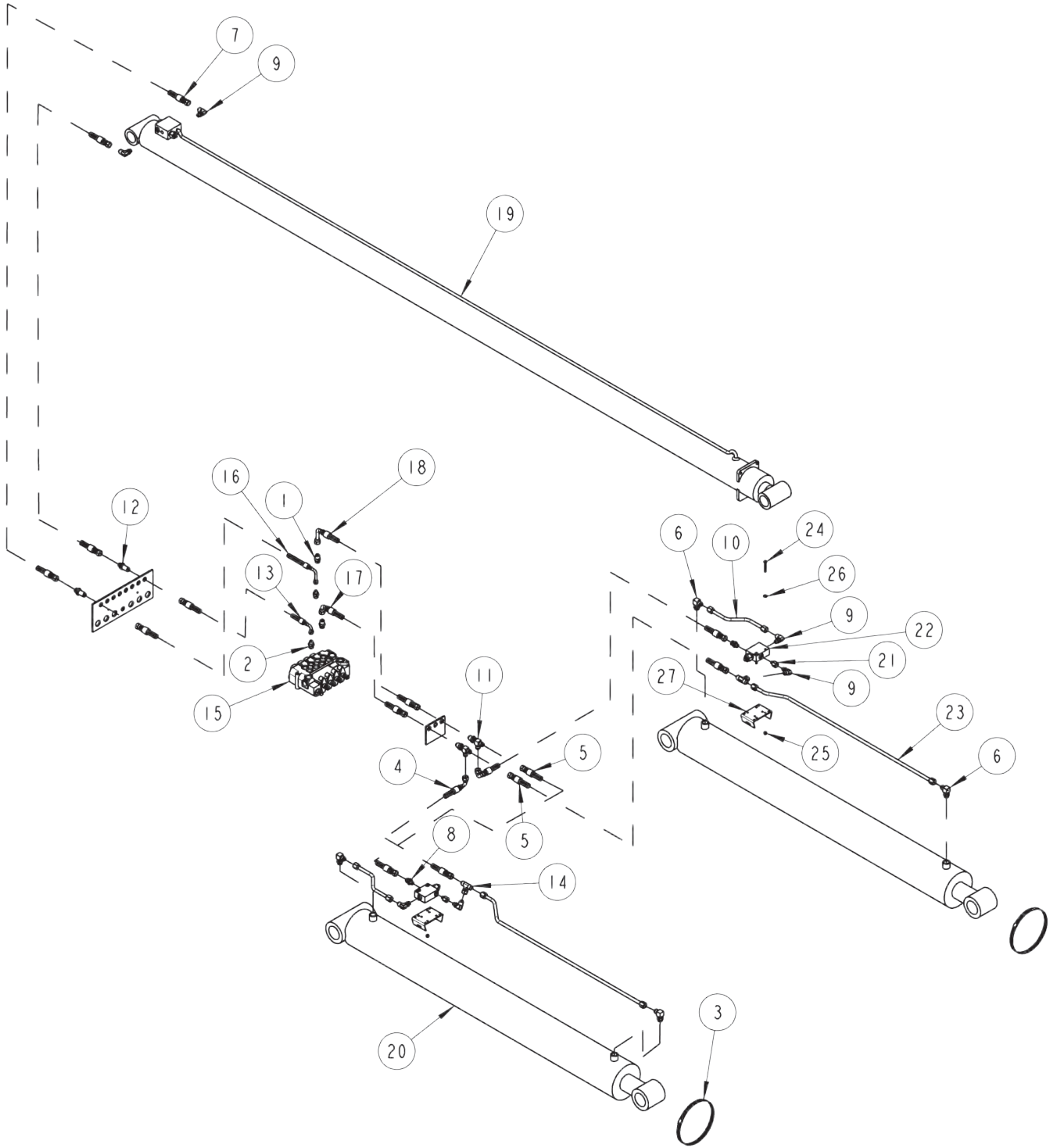
Section I - PARTS (cont'd)

UNDERLIFT & TOWER ASSEMBLY (cont'd)

ITEM	PART NUMBER	DESCRIPTION	QTY
29	0400481	LOCKWASHER, 3/8" EXT TOOTH	9
30	0400482	3/8 HELICAL LOCK WASHER ZP	1
31	0400491	1/2 HELICAL LOCK WASHER ZP	1
32	0400508	5/8 HELICAL LOCK WASHER ZP	2
33	0400990	1/2-13 X 1/2 SKT HD SET SCREW ZP	8
34	0703277	SLIDER PAD	2
35	0706995	BLOCK, STOP 2ND STAGE	4
36	0706996	SPACER PAD	1
37	0707019	EXTEND CYLINDER SHAFT	1
38	0707028	PAD, BEARING	1
39	0707792	PIN - TILT CYLINDER - BASE END	1
40	0708470	SPACER - DETENT BALL	1
41	0710051	PIVOT PIN, TOP HALF	1
42	0710052	PIVOT PIN, BOTTOM HALF	1
43	0717657	PLATE - STOP BLOCK SUPPORT	2
44	0717851	STOP BLOCK	2
45	0802459	PIN-FOLD CYL. WLDMT	1
46	0802461	PIN - UNDERLIFT PIVOT WELDMENT	1
47	0802914	CROSSBAR WELDMENT	1
48	0804421	TOWER WELDMENT - 7035	1
49	0804422	OUTER BOOM WLMT	1
50	0804423	2ND STAGE U/L BOOM	1
51	0804424	3RD STAGE BOOM WLMT	1
52	0804483	CABLE TIE BACK WLMT	2
53	0806756	PIN WELDMENT - FOLD CYLINDER	1
54	9048800	5/8 WELDLESS CHAIN LINK	2
55	945030007	SPRING - HOSE TENSIONER	2
56	RB0205	SPLIT BUSHING	2

Section I - PARTS (cont'd)

BOOM HYDRAULICS



Section I - PARTS (cont'd)

BOOM HYDRAULICS

ITEM	PART NUMBER	DESCRIPTION	QTY
1	0300041	CONNECTOR 8MJX8MB	2
2	0300044	CONNECTOR 6MJX8MB	2
3	0300644	HOSE CLAMP, 8"	2
4	0300657	HOSE ASSEMBLY, 46" LG	2
5	0300659	HOSE ASSEMBLY, 45" LG	3
6	0301388	ELBOW, 8MJ-8MB90	4
7	0301529	HOSE ASSEMBLY - 58 LG.	2
8	0302275	CONNECTOR 8MJX6MB	2
9	0302276	ELBOW, 8MJ-6MB90	6
10	0302568	HYDRAULIC TUBING	2
11	0302574	FITTING - BULKHEAD - RUN TEE W/NUT	2
12	0302576	FITTING, BULKHEAD UNION	2
13	0302584	HOSE ASSEMBLY, 50" LG.	1
14	0302796	BRANCH TEE, 8MJ-8MJ-8FJX	2
15	0303093	CONTROL VALVE, VDP11DDDC110	1
16	0303348	HOSE ASSEMBLY, 48" LG	1
17	0303354	HOSE ASSEMBLY, 33" LG	1
18	0303355	HOSE ASSEMBLY, 45" LG.	1
19	0306743	CYLINDER, BOOM EXTEND	1
20	0306747	CYL - BOOM LIFT	2
21	0307106	CONNECTOR 4MBX6FB	2
22	0307107	VALVE HOLDING 4000 PSI SAE	2
23	0307614	HYDRAULIC TUBING	2
24	0400078	1/4-20 X 2 HHCS GR5 ZP	4
25	0400367	1/4-20 NYLOCK HEX NUT ZP	4
26	0400451	1/4 FLAT WASHER ZP	4
27	0703001	BRACKET - MOUNTING	2

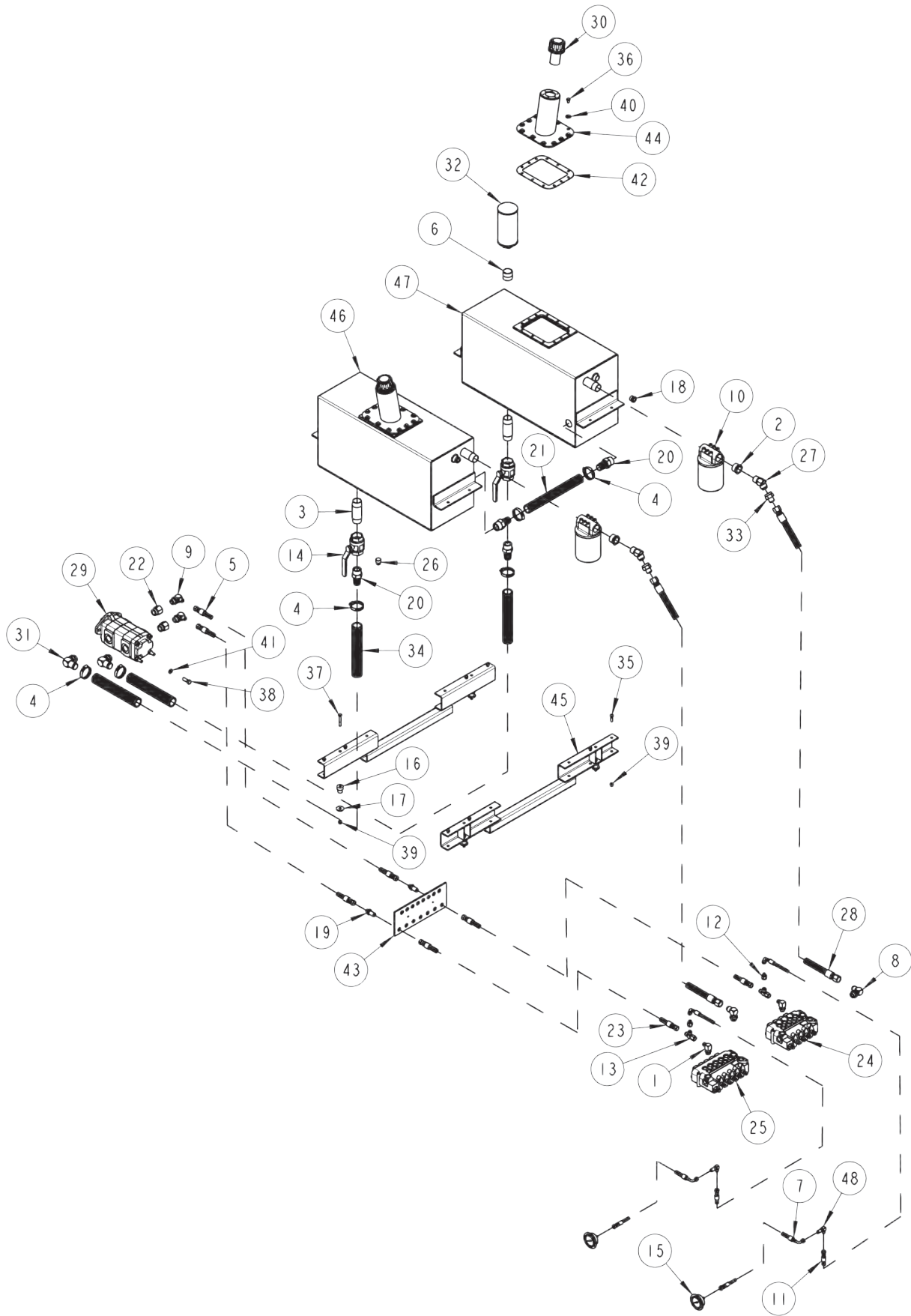
Section I - PARTS (cont'd)

UNDERLIFT HYDRAULICS

ITEM	PART NUMBER	DESCRIPTION	QTY
1	0300044	CONNECTOR 6MJX8MB	3
2	0301470	ELBOW, 6MJ-8MB90	6
3	0301473	HOSE ASSEMBLY, 18" LG	2
4	0301522	CONNECTOR 6MJ-6MB	1
5	0301619	BRANCH TEE, 6MJ-6MJ-6MB	1
6	0301620	FITTING, ELBOW, 6MJ-6MB90	3
7	0301662	HOSE ASSEMBLY - 120" LG	2
8	0301730	DOUBLE HOLDING VALVE	1
9	0301778	CONNECTOR 6MJX10MB	5
10	0301837	INLINE ORIFICE	1
11	0302035	HOSE ASSEMBLY, 18" LG	1
12	0302504	TUBE ASSEMBLY	6
13	0302514	ADAPTER, 8MJ-6MJ	6
14	0302548	CLAMPING UNIT (SET) HC-10-6	8
15	0302549	SPLIT BUSH RUBBER C-SB10-8 1/2	24
16	0302551	SOCKET HEAD C-SN-10	8
17	0302552	WELD ADAPTER, C-WA-10	8
18	0302576	FITTING, BULKHEAD UNION	6
19	0302584	HOSE ASSEMBLY, 50" LG.	2
20	0302805	HOSE ASSY - 10" LG	2
21	0302842	ELBOW, 8MJ-8MB90	2
22	0302911	HOSE ASSEMBLY, 88" LG	1
23	0302914	HOSE ASSEMBLY, 35" LG	1
24	0302915	HOSE ASSEMBLY, 12" LG	2
25	0303094	VALVE, 5 SPOOL PARKER	1
26	0303176	CONNECTOR 10MPX8FB	1
27	0303348	HOSE ASSEMBLY, 48" LG	2
28	0303563	HOSE ASSEMBLY, 27" LG	2
29	0306744	CYLINDER - U/L EXTEND	1
30	0306746	CYLINDER, HYD LIFT	1
31	0306870	HOSE ASSEMBLY, 96" LG	1
32	0307040	CYL - U/L TILT	2
33	0307106	CONNECTOR 4MBX6FB	1
34	0307107	VALVE HOLDING 4000 PSI SAE	1
35	0400064	SCREW, 1/4"-20 X 2 1/4" RD HD PHIL SS	2
36	0400078	1/4-20 X 2 HHCS GR5 ZP	2
37	0400118	5/16-18 X 3/4 HHCS GR.5 ZP	8
38	0400366	1/4-20 HEX NUT ZP	2
39	0400367	1/4-20 NYLOCK HEX NUT ZP	2
40	0400451	1/4 FLAT WASHER ZP	4
41	0400452	1/4 HELICAL LOCK WASHER ZP	2
42	0703001	BRACKET - MOUNTING	1
43	0716201	PLATE - BULKHEAD MOUNTING	1

Section I - PARTS (cont'd)

PUMP, VALVE & FILTER HYDRAULICS



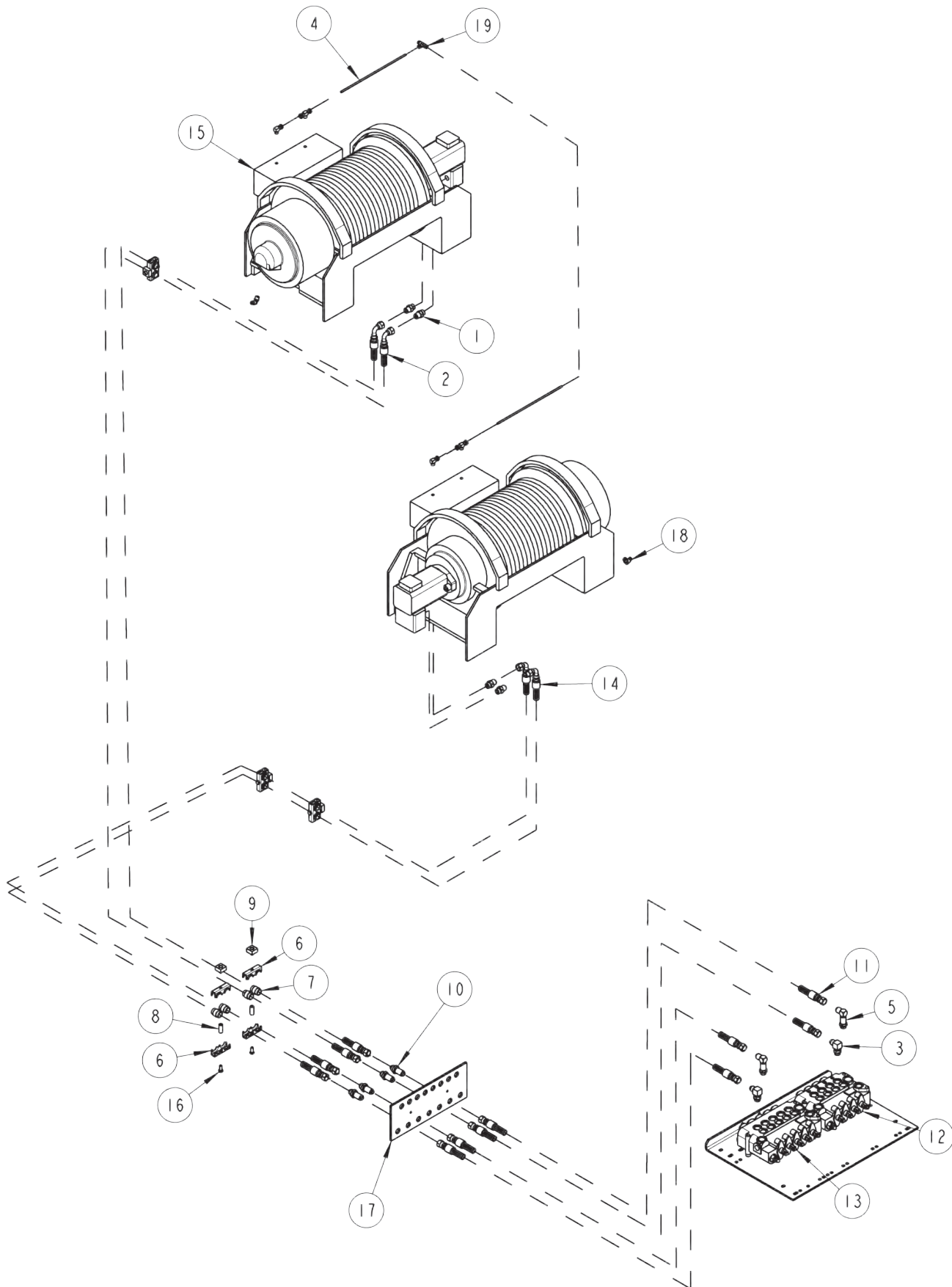
Section I - PARTS (cont'd)

PUMP, VALVE & FILTER HYDRAULICS

ITEM	PART NUMBER	DESCRIPTION	QTY
1	0300052	ELBOW, 8MJ-10MB90	2
2	0300287	PIPE BUSHING, 1 1/4" TO 1" NPT REDUCER	2
3	0300348	NIPPLE - 1-1/2 X 5	2
4	0300364	HOSE CLAMP, 7/8" TO 2-3/4"	6
5	0300660	HOSE ASSEMBLY - 120" LG	2
6	0301350	PIPE, 1-1/2" CLOSE NIPPLE	2
7	0301473	HOSE ASSEMBLY, 18" LG	2
8	0301545	ELBOW, 12MJ-12MB90	2
9	0301547	ELBOW, 8MJ-12MB90	2
10	0301894	FILTER ASSEMBLY, SPIN ON	2
11	0301965	HOSE ASSEMBLY, 131" LG.	2
12	0301995	ADAPTER, 8FJ-6MJ STRAIGHT	2
13	0302052	RUN TEE, 8MJ-8MJ-8FJX	2
14	0302088	BALL VALVE - 1 1/2 BRONZE	2
15	0302205	GAUGE, FLUSH MOUNT 6000 PSI	2
16	0302227	CENTER BONDED MOUNT	4
17	0302228	SPECIAL WASHER	4
18	0302570	SIGHT GAUGE	2
19	0302576	FITTING, BULKHEAD UNION	2
20	0302698	HOSE BARB, 1-1/4"	4
21	0302756	SUCTION HOSE, 1-1/4" ID (100R4)	1
22	0302906	ADAPTER, 16MB-12FB	2
23	0302955	HOSE ASSY - 48 1/4"	2
24	0303093	CONTROL VALVE, VDP11DDDC110	1
25	0303094	VALVE, 5 SPOOL PARKER	1
26	0303155	PIPE PLUG - 3/4 NPT (MAGNETIC)	2
27	0303338	ELBOW, 16MJ-16MP45	2
28	0303435	HOSE ASSEMBLY - 58" LG	2
29	0303867	PUMP, BI-ROTATIONAL	1
30	0305006	FILLER CAP	2
31	0306539	HOSE BARB, 20HOSE-16MB90	2
32	0307344	SUCTION STRAINERS	2
33	0307345	CONNECTOR, 16MJ-20MP	2
34	0310010	SUCTION HOSE, 1-1/2" I.D. 100R4	2
35	0400122	3/8-16 X 1 1/4 HHCS GR.5, ZP	8
36	0400149	3/8-16 X 5/8 HHCS GR5 ZP	24
37	0400150	3/8-16 X 2-1/2 HHCS GR5 ZP	4
38	0400181	1/2-13 X 1-1/2 HHCS GR 5 ZP	2
39	0400392	3/8-16 NYLOCK HEX NUT ZP	12
40	0400480	3/8 FLAT WASHER ZP	24
41	0400491	1/2 HELICAL LOCK WASHER ZP	2
42	0706114	GASKET - CLEANOUT & FILLER COVER	2
43	0716201	PLATE - BULKHEAD MOUNTING	1
44	0802747	FILLER PIPE WELD'T	2
45	0803193	SUPPORT - RESERVOIR WELDMENT	2
46	0806653	RESERVOIR LEFT WELDMENT	1
47	0806654	RESERVOIR RIGHT WELDMENT	1
48	FC41	ELBOW - BULKHEAD	2

Section I - PARTS (cont'd)

WINCH HYDRAULICS



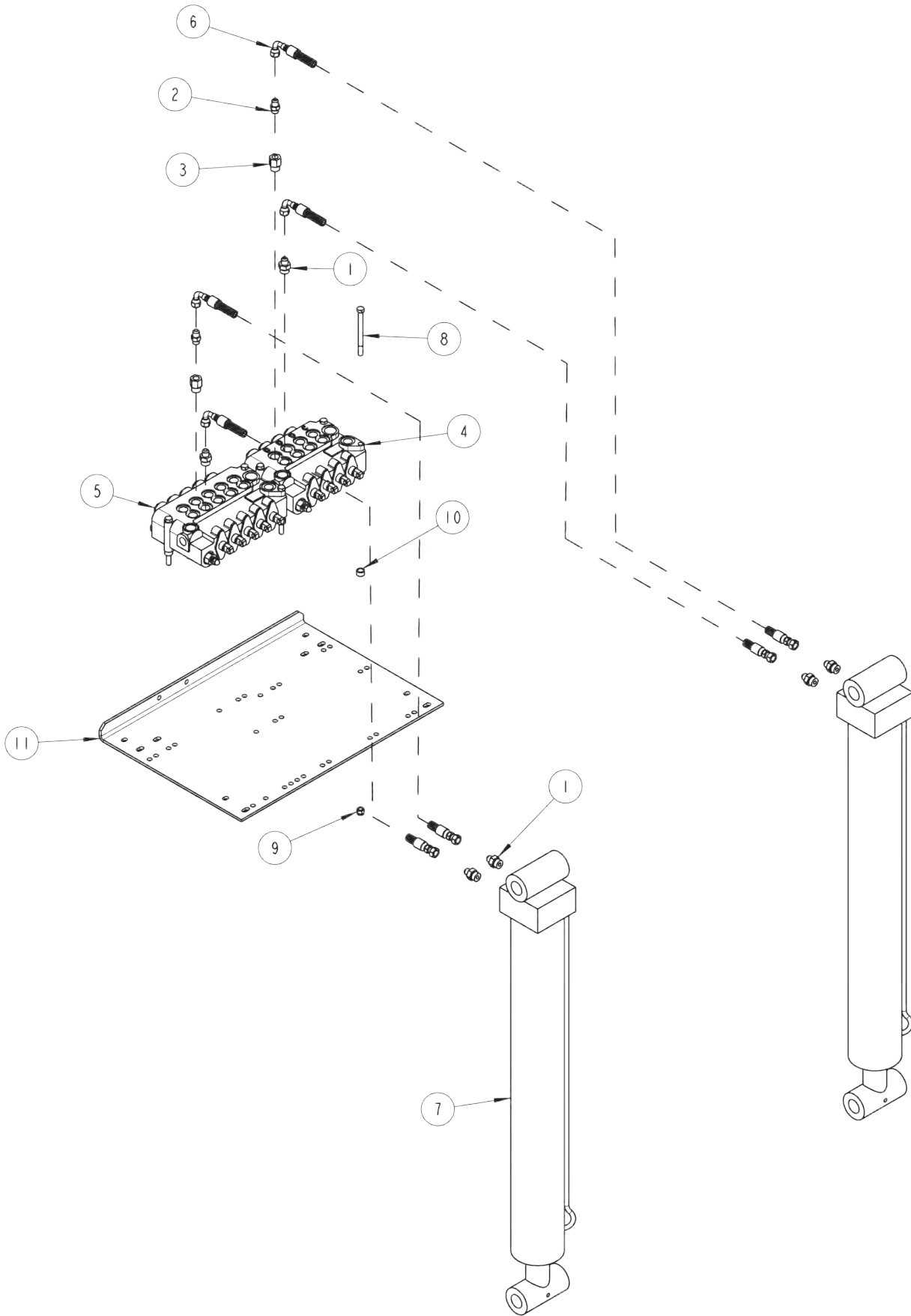
Section I - PARTS (cont'd)

WINCH HYDRAULICS

ITEM	PART NUMBER	DESCRIPTION	QTY
1	0300041	CONNECTOR 8MJX8MB	4
2	0301207	HOSE ASSEMBLY - 72" LG	2
3	0301388	ELBOW, 8MJ-8MB90	2
4	0301577	TUBING- PLASTIC 1/4 OD X 5" AIR LINE	2
5	0302508	ELBOW, 8MJ-8MB90LL	2
6	0302546	CLAMPING UNIT (SET) HC-10-2	10
7	0302550	SPLIT BUSH RUBBER C-SB10-12 3/4	10
8	0302551	SOCKET HEAD C-SN-10	5
9	0302552	WELD ADAPTER, C-WA-10	5
10	0302576	FITTING, BULKHEAD UNION	4
11	0302955	HOSE ASSY - 48 1/4"	4
12	0303093	CONTROL VALVE, VDP11DDDC110	1
13	0303094	VALVE, 5 SPOOL PARKER	1
14	0303763	HOSE ASSEMBLY - 94"	2
15	0303799	WINCH, DP35K 2-SPEED	1
16	0400118	5/16-18 X 3/4 HHCS GR.5 ZP	5
17	0716201	PLATE - BULKHEAD MOUNTING	1
18	9010520	FITTING, BRASS ELB. 1/4T-1/4MP	2
19	9011071	FITTING, BRASS TEE 1/4T-1/4T-1/4T	1

Section I - PARTS (cont'd)

SPADE HYDRAULICS



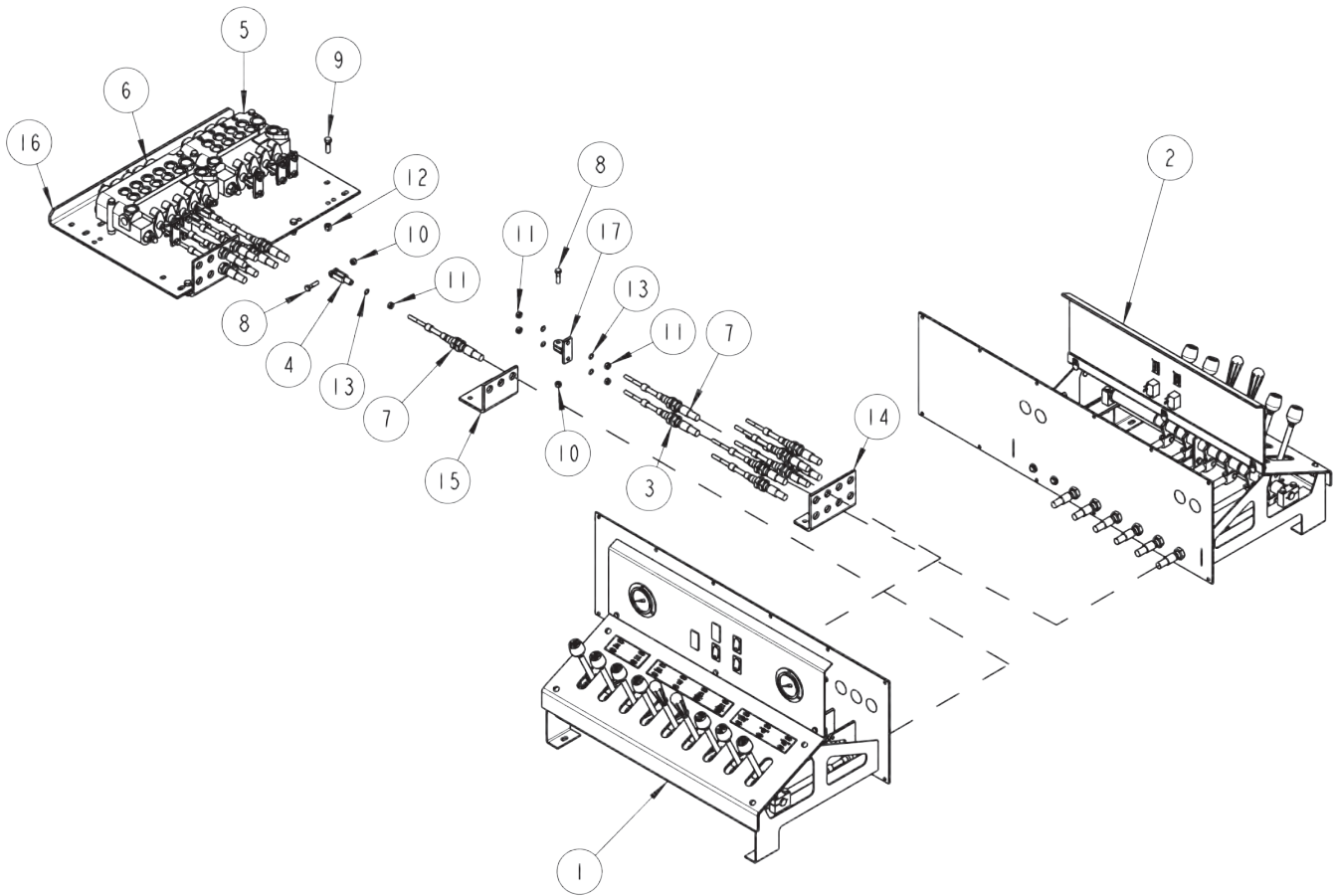
Section I - PARTS (cont'd)

SPADE HYDRAULICS

ITEM	PART NUMBER	DESCRIPTION	QTY
1	0300044	CONNECTOR 6MJX8MB	6
2	0301522	CONNECTOR 6MJ-6MB	2
3	0303017	CONNECTOR 8MBX6FB	2
4	0303093	CONTROL VALVE, VDP11DDDC110	1
5	0303094	VALVE, 5 SPOOL PARKER	1
6	0303748	HOSE ASSEMBLY, 32"	4
7	0307843	CYLINDER - 4" BORE 30" STROKE	2
8	0400135	3/8-16 X 4-1/2 HHCS GR 5 ZP	6
9	0400392	3/8-16 NYLOCK HEX NUT ZP	6
10	0704045	SPACER, CONTROL VALVE	6
11	0717827	PLATE - VALVE MOUNTING	1

Section I - PARTS (cont'd)

CONTROL ASSEMBLY



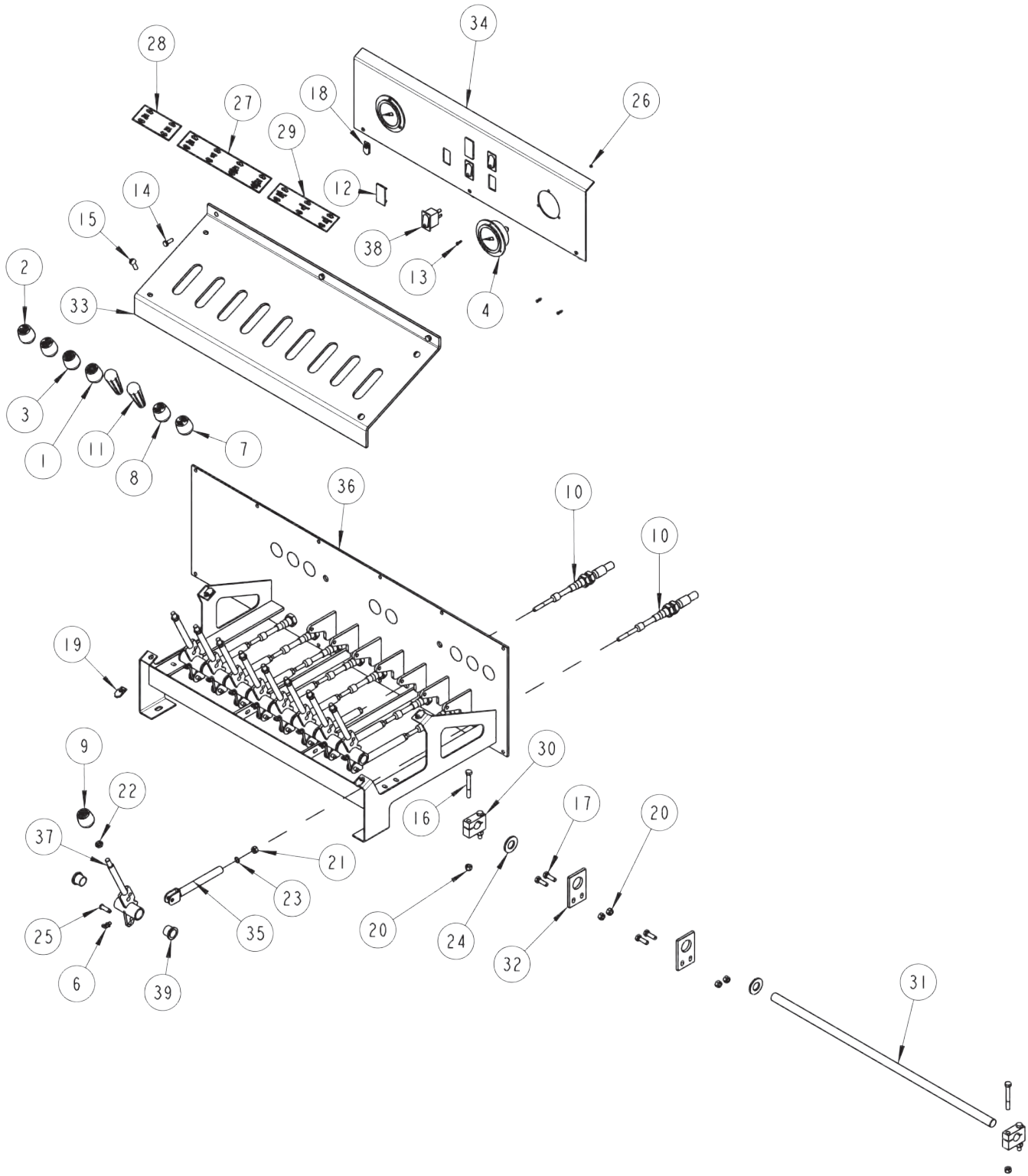
Section I - PARTS (cont'd)

CONTROL ASSEMBLY

ITEM	PART NUMBER	DESCRIPTION	QTY
1	--	7035 CONTROL ASSEMBLY 9 HANDLES	1
2	--	7035 CONTROL ASSEMBLY RH 6H	1
3	0302457	CONTROL CABLE	5
4	0303008	CLEVIS - ADJUSTABLE	3
5	0303093	CONTROL VALVE, VDP11DDDC110	1
6	0303094	VALVE, 5 SPOOL PARKER	1
7	0303427	CONTROL CABLE	10
8	0400103	5/16-18 X 1 1/4 HHCS GR.5, ZP	9
9	0400122	3/8-16 X 1 1/4 HHCS GR.5, ZP	6
10	0400382	5/16-18 NYLOCK HEX NUT ZP	11
11	0400383	5/16-24 HEX NUT ZP	27
12	0400392	3/8-16 NYLOCK HEX NUT ZP	12
13	0400466	LOCKWASHER, 5/16" INTERNAL TOOTH	27
14	0711249	PLATE - CONTROL BOX	2
15	0711250	PLATE - CONTROL BOX	1
16	0717827	PLATE - VALVE MOUNTING	1
17	0801054	CONNECTOR - CONTROL CABLE	6

Section I - PARTS (cont'd)

LEFT CONTROL ASSEMBLY



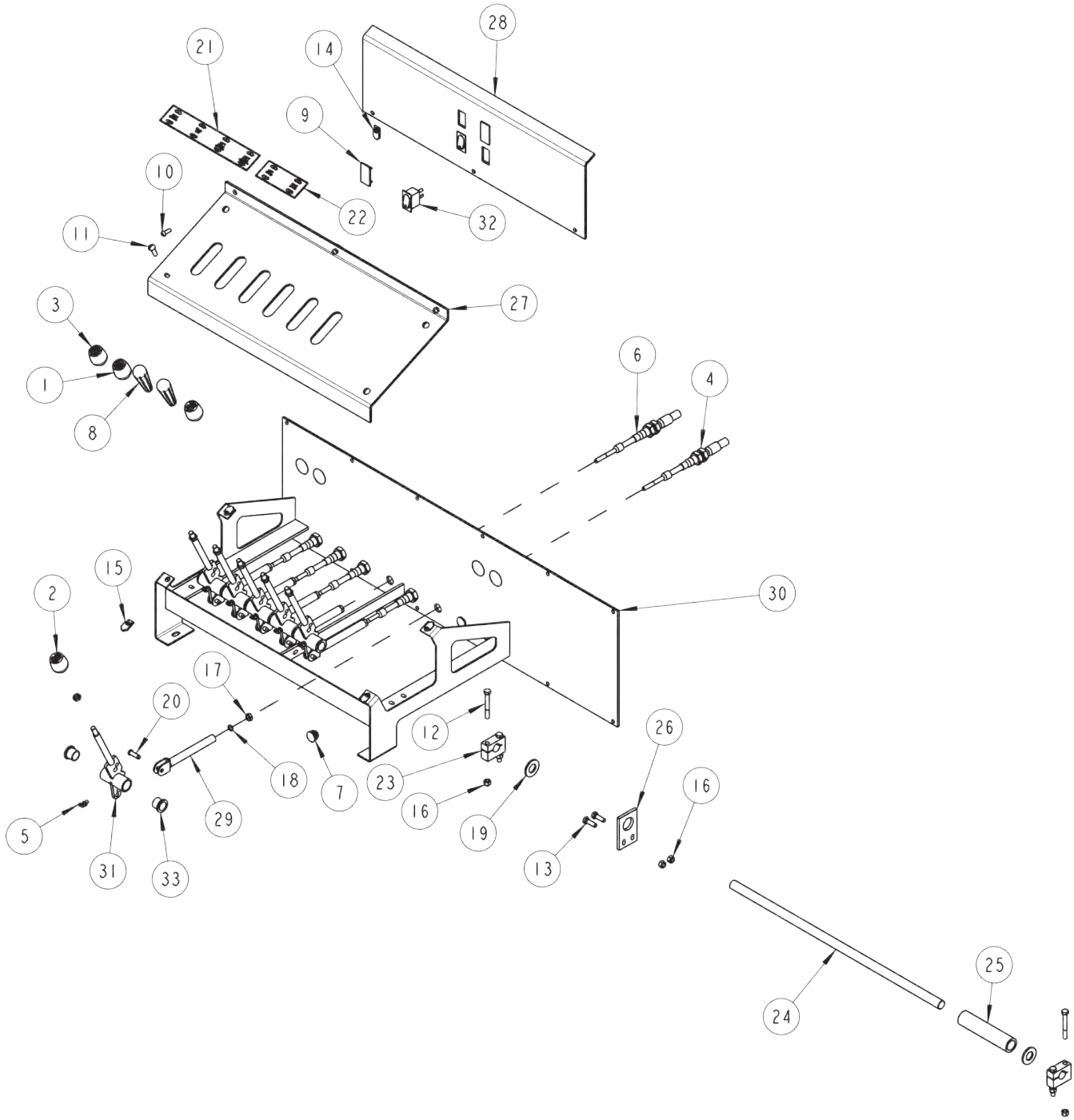
Section I - PARTS (cont'd)

LEFT CONTROL ASSEMBLY

ITEM	PART NUMBER	DESCRIPTION	QTY
1	0300835	KNOB, BOOM (UP-DN)	1
2	0300836	KNOB, JACK (UP-DN)	2
3	0300837	KNOB, BOOM (IN-OUT)	1
4	0302205	GAUGE, FLUSH MOUNT 6000 PSI	2
5	0302457	CONTROL CABLE	3
6	0302726	GREASE FITTING, 1/4"-28 X 45°	9
7	0302856	KNOB, TILT (UP-DN)	1
8	0302917	KNOB, WHL LIFT EXT (IN-OUT)	1
9	0303382	KNOB, FOLD (UP-DN)	1
10	0303427	CONTROL CABLE	6
11	0307604	KNOB - RED LONG	2
12	0307778	PLUG, FILLER	2
13	0400005	#6-32 X .5 FLAT HEAD PHILLIPS	6
14	0400066	1/4-20 X 3/4 HHCS GR.5, ZP	3
15	0400101	SCREW, 5/16"-18 X 1" RD HD SLOTTED SS	4
16	0400107	5/16-2.5 X 2-1/2 HHCS	4
17	0400109	5/16-18 X 1 HHCS GR.5, ZP	4
18	0400369	1/4 "J" TYPE TINNERMAN	3
19	0400379	CLIP, 5/16" "J" TYPE TINNERMAN	4
20	0400382	5/16-18 NYLOCK HEX NUT ZP	8
21	0400383	5/16-24 HEX NUT ZP	9
22	0400393	3/8"-16 HEX JAM NUT	9
23	0400466	LOCKWASHER, 5/16" INTERNAL TOOTH	9
24	0400512	3/4 FLAT WASHER (SPECIAL)	2
25	0400527	CLEVIS PIN, 5/16" X 5/8" COTTERLESS	9
26	0402094	HEX NUT & STAR WASHER, #8-32 ZP	6
27	0500914	DECAL- CONTROL PANEL WRECKER	1
28	0500915	DECAL - CTROL PANEL SPADE	1
29	0500916	DECAL - CONTROL PANEL UNDERLIFT	1
30	0711235	CLAMP - SHAFT	2
31	0717198	PIN - CONTROL HANDLE (9)	1
32	0717461	PLATE - SHAFT SUPPORT	2
33	0723230	PANEL - CONTROL (9)	1
34	0723233	PANEL - GAUGE (9 HDL, STD)	1
35	0806006	CLEVIS WELDMENT	9
36	0806007	CONTROL FRAME WLMT (9) HANDLE	1
37	0806515	CONTROL HANDLE WLMT	9
38	9024041	MCGILL SWITCH	3
39	9053524	BRONZE BUSHING (.752 X .879 X .750)	18

Section I - PARTS (cont'd)

RIGHT CONTROL ASSEMBLY



Section I - PARTS (cont'd)

RIGHT CONTROL ASSEMBLY

ITEM	PART NUMBER	DESCRIPTION	QTY
1	0300835	KNOB, BOOM (UP-DN)	1
2	0300836	KNOB, JACK (UP-DN)	2
3	0300837	KNOB, BOOM (IN-OUT)	1
4	0302457	CONTROL CABLE	2
5	0302726	GREASE FITTING, 1/4"-28 X 45°	6
6	0303427	CONTROL CABLE	4
7	0307166	PLUG 7/8	2
8	0307604	KNOB - RED LONG	2
9	0307778	PLUG, FILLER	2
10	0400061	SCREW, 1/4"-20 X 2 1/4" RD HD PHIL SS	3
11	0400101	SCREW, 5/16"-18 X 1" RD HD SLOTTED SS	4
12	0400107	5/16-2.5 X 2-1/2 HHCS	4
13	0400109	5/16-18 X 1 HHCS GR.5, ZP	2
14	0400369	1/4 "J" TYPE TINNERMAN	3
15	0400379	CLIP, 5/16" "J" TYPE TINNERMAN	4
16	0400382	5/16-18 NYLOCK HEX NUT ZP	6
17	0400393	3/8"-16 HEX JAM NUT	12
18	0400466	LOCKWASHER, 5/16" INTERNAL TOOTH	6
19	0400512	3/4 FLAT WASHER (SPECIAL)	2
20	0400527	CLEVIS PIN, 5/16" X 5/8" COTTERLESS	6
21	0500914	DECAL- CONTROL PANEL WRECKER	1
22	0500915	DECAL - CTROL PANEL SPADE	1
23	0711235	CLAMP - SHAFT	2
24	0717203	PIN - CONTROL HANDLE (6)	1
25	0717206	SPACER	1
26	0717461	PLATE - SHAFT SUPPORT	1
27	0723231	PANEL - CONTROL (6 HANDLE)	1
28	0723232	PANEL - SWITCH	1
29	0806006	CLEVIS WELDMENT	6
30	0806008	CONTROL FRAME WLMT (6, 7, 8 HANDLE)	1
31	0806515	CONTROL HANDLE WLMT	6
32	9024041	MCGILL SWITCH	2
33	9053524	BRONZE BUSHING (.752 X .879 X .750)	12

Section I - PARTS (cont'd)

7035 2-SPEED PARTS LIST

ITEM	PART NUMBER	DESCRIPTION	QTY
--	125736021	CENTURY 7035 - 2-SPEED	
1	0907112	SHIP KIT - 7035	1
2	0907777	BASIC UNIT ASSY-7035 2-SPEED	1
3	0911135	INTEGRATED NON-LIGHTED CONTROL	1
--	0907112	SHIP KIT - 7035	
4	0300844	3/4 X 1/8 CLOSED CELL	15
5	0303226	80 AMP CIRCUIT BREAKER	2
6	0303867	PUMP, BI-ROTATIONAL	1
7	0306818	WIRE, ROPE 3/4X6X37 IWRC 200'	2
8	0310599	CRC HD CORROSION INHIBIT SPRAY	1
9	0903064	KIT-BODY MOUNTING 9055	1
10	0903137	KIT-TOWER RAMP 9055/5030	1
11	0903729	CHAIN-SAFETY ASSY	1
12	0904217	HARDWARE-BODY MOUNTING	1
13	0904366	KIT-FORK (7) PAIRS	1
14	0907708	CNTRL KIT RT (KNOB, DECAL, PL)	1
15	0908275	KIT, FENDER SKIRT-AL TBOX LWRK	1
16	0911145	PURCHASED SHIP KIT-7035	1
--	0903064	KIT-BODY MOUNTING 9055	
17	0707174	ANG TAILGATE MTG	2
18	0707175	PLATE, MOUNTING 5030	2
19	0711286	SPACER - REAR FRAME BRKT	2
20	0717507	PLATE - MOUNTING	2
--	0903137	KIT-TOWER RAMP 9055/5030	
21	0303089	RAMP PAD - 9055/5030	2
22	0400128	3/8-16X1.25 FLAT HD SOC	10
23	0400392	3/8-16 NYLOK HEX NUT ZINC	10
--	0903729	CHAIN-SAFETY ASSY	
24	0307626	SAFETY CHAIN ASY, 1/2X14' GR100	2
--	0904217	HARDWARE-BODY MOUNTING	
25	0400286	3/4-10X2.75" HHCSGR 8GOLD	44
26	0400301	7/8-9X3HHCS GR5 ZP	4
27	0400431	3/4-10 NYLOK HEX GR 8 ZP	44
28	0400436	7/8-9 NYLOK HEX NUT ZP	4
--	0904366	KIT-FORK (7) PAIRS	
29	0200018	FORK-SHORT, 3IN OPNG	2
30	0200019	FORK-SHORT, 4-1/2IN OPNG	2
31	0200020	FORK-MED, 3IN OPNG	2
32	0200021	FORK-MED, 4-1/2IN OPNG	2
33	0200022	FORK-LONG, 3IN OPNG	2
34	0200023	FORK-LONG, 4-1/2IN OPNG	2
35	0200024	FORK-OFFSET REAR AXLE	2
36	0200042	FORK-MEDIUM ROUND AXLE	2
37	0306564	ALUM T HANDLE 5/8" X 1-1/4"	2

Section I - PARTS (cont'd)

7035 2-SPEED PARTS LIST (cont'd)

ITEM	PART NUMBER	DESCRIPTION	QTY
--	0904366	KIT-FORK (7) PAIRS (cont'd)	
38	0310230	CLEVIS PIN, 5/8 X 6 ZINC PLT	2
39	0400886	HITCH PIN CLIP, 1/8 DIA X 2.6 OAL	2
40	0801186	ADAPTER-HDU CHAIN (LH OR RH)	1
41	0801186	ADAPTER-HDU CHAIN (LH OR RH)	1
42	0803591	ADAPTER-LEFT FORK	1
43	0803592	ADAPTER-RIGHT FORK	1
44	0807023	BRKT-PIVOT SPRING LIFT	2
45	0900900	PIN-ASSY, RETAINER	2
46	0908672	PIN-RET.-SPRING LIFT	2
--	0900900	PIN-ASSY, RETAINER	
47	0302474	PIN, LINCH 3/16	1
48	0311167	3/16 SWAGE FOR 1/8 COATED CABL	1
49	0311210	CABLE, PIN RETAINER ASSY .125	1
50	0400568	3/8X3" ROLL PIN ZP	1
51	0400573	3/16X1-1/4ROLL PIN ZP	1
52	0402020	1/4-20NC X 3/4 HEX HD SS	1
53	0703426	PIN, RETAINER	1
--	0908672	PIN-RET.-SPRING LIFT	
54	0302474	PIN, LINCH 3/16	1
55	0311167	3/16 SWAGE FOR 1/8 COATED CABL	1
56	0311210	CABLE, PIN RETAINER ASSY .125	1
57	0400568	3/8X3" ROLL PIN ZP	1
58	0400573	3/16X1-1/4ROLL PIN ZP	1
59	0402020	1/4-20NC X 3/4 HEX HD SS	1
60	0718917	PIN, RETAINER	1
--	0907708	CNTRL KIT RT (KNOB, DECAL, PL)	
61	0300835	KNOB-BOOM (UP-DOWN)	1
62	0300836	KNOB-CTRL-JACK (UP-DOWN)	2
63	0300837	KNOB-BOOM (IN-OUT)	1
64	0307166	PLUG 7/8	2
65	0307604	KNOB, RED LONG - SK0700-07	2
66	0310021	PIGTAIL, PWR - SWITCH	1
67	0310022	PIGTAIL, GND - SWITCH	1
68	0400061	1/4-20X3/4 MACH SCREW	3
69	0400062	1/4-20X3/4 THRD CUT HEX	12
70	0400070	1/4-20X1 HHCS GR5 ZP	4
71	0400101	5/16-18X1 RD MACH HD SS	4
72	0400107	5/16-18X2.5 HHCS GR5 ZP	4
73	0400367	1/4-20 NYLOK HEX NUT ZP	4
74	0400369	1/4 "J" TYPE TINNERMAN	3
75	0400379	5/16-18 "J" NUT TINNERMAN	4
76	0400393	3/8-16 HEX NUT JAM ZP	4
77	0400451	1/4 FLATWASHER ZP	6
78	0500914	DECAL-CTRL PANEL WRECKER	1
79	0500915	DECAL-CTRL PANEL SPADE	1
80	0501157	TAG-CAUTION WINCH CABLE DAMAGE	2

Section I - PARTS (cont'd)

7035 2-SPEED PARTS LIST (cont'd)

ITEM	PART NUMBER	DESCRIPTION	QTY
--	0907708	CNTRL KIT RT (KNOB, DECAL, PL) (cont'd)	
81	0723231	PANEL-CONTROL 6 HANDLE	1
82	0723232	PANEL-SWITCH	1
83	0724648	BRACE	1
84	9024041	SWITCH-ROCKER, LIGHTED 12V	2
--	0908275	KIT, FENDER SKIRT-AL TBOX LWRK	
85	0307270	SIKAFLEX-GRAY 221-G SEALANT	1
86	9025068	REFLECTOR-PETERSON B489R DECAL	4
--	0911145	PURCHASED SHIP KIT-7035	
87	0300132	14" UV BLK CABLE TIE	100
88	0500554	FLAG, AMERICAN LT	2
89	0500686	DECAL - RETRACT CAUTION	2
90	0501167	PLATE, CENTURY, NAME, PLASTIC	2
91	0501669	DECAL, AIR FREE SPOOL	2
92	0711438	BRACKET - HOSE	8
93	0902333	KIT-GLAD HAND	1
94	0904183	KIT-AIR TENSIONER	1
95	0906485	DATA PACKAGE - 7035/T35	1
96	0906838	GROUND KIT MTG.HARNESSE CENTURY	1
97	0907043	KIT, HOLE PLUG TOOL BOX	1
98	0907883	KIT- PUMP 5130-7035	1
99	0908382	KIT - MUDFLAP LRG CENTURY WKR	1
100	0908446	KIT, SWITCH/DECALS 2-SPD WINCH	1
101	0911090	KIT-SAFETY TREAD-INTEGRATED	1
--	0902333	KIT-GLAD HAND	
102	0301909	RECEPTACLE BOOT	1
103	0301946	FITTING, BLKHD CONNECT	2
104	0301948	HD 7 WAY TRAILER CONNECT	1
105	0304363	QUICK DISCONNECT 1/2 FPT	2
106	0400070	1/4-20X1 HHCS GR5 ZP	2
107	0400367	1/4-20 NYLOK HEX NUT ZP	2
108	0400451	1/4 FLATWASHER ZP	2
--	0904183	KIT-AIR TENSIONER	
109	0301577	1/4 OD PLASTIC AIRLINE, BLACK	25
110	0302495	CONVOLUTED LOOM 1/4	25
111	0311193	6" CABLE TIE	25
112	0400062	1/4-20X3/4 THRD CUT HEX	2
113	0700188	BRKT, BULKHEAD	2
114	0909085	KIT, AIR FLR/REG/LUBE COMBO 1/4	1
115	HA0132	GAUGE 0-160 PSI	1
--	0909085	KIT, AIR FLR/REG/LUBE COMBO 1/4	
116	0302123	HEX NIPPLE 4MP-4MP	1
117	0303363	AIR FLTR/REGULATOR COMBO	1
118	0306983	FITT, BRASS RUNTEE 1/4T-1/4MPX	1
119	9010520	FITT, BRASS ELB 1/4T-1/4MP	1

Section I - PARTS (cont'd)

7035 2-SPEED PARTS LIST (cont'd)

ITEM	PART NUMBER	DESCRIPTION	QTY
--	0906485	DATA PACKAGE - 7035/T35	
120	0500241	DECAL-SAFETY CHAIN WARN	3
121	0501060	MANUAL - OWNERS 7035/T35	1
122	0501763	CENTURY LARGE INT INSTL MANUAL	1
123	0501767	7035 PARTS MANUAL	1
--	0906838	GROUND KIT MTG.HARNES CENTURY	
124	0400126	3/8-16X1 HHCS GR5 ZP.	1
125	0400392	3/8-16 NYLOK HEX NUT ZINC	1
126	0400481	3/8" EXT.TOOTH LOCKWASHER	1
127	0400499	3/4" EXT.TOOTH LOCKWASHER	1
128	0402122	3/8-16NC HEX NUT 316 SS	1
129	0716468	LUG - GROUNDING	1
--	0907043	KIT, HOLE PLUG TOOL BOX	
130	0307052	WASHER, RUBBER 7/16X1 1/4X1/4	8
131	0400201	1/2-13X1.5 CRGBLT GR5 ZP	4
132	0400407	1/2-13 HEX NUT ZP	4
133	0400491	1/2" HCL LKWSHR ZP	4
134	0400492	1/2" FLATWASHER ZP	4
135	0400506	5/8 FLATWASHER ZP	4
--	0907883	KIT- PUMP 5130-7035	
136	0300348	NIPPLE, 1-1/2 X 5	2
137	0300364	CLAMP-HOSE, 0.875"-2.75" 50"LBS	8
138	0300660	HOSE HYD, 120"	2
139	0300865	FITTING, CONNECTOR 8MJ-8MJ	2
140	0301529	HOSE HYD, 58	2
141	0301547	FITTING, ELB 8MJ-12MB 90	2
142	0302088	BALL VALVE	2
143	0302698	FITTING, HOSE BARB, 1-1/4	2
144	0302906	FITTING, ADAPTER	2
145	0303290	INSULATED CLAMP 2 1/2	12
146	0303463	BUSHING 1 1/2MP-1 1/4FP	2
147	0306539	HOSE BARB 20HOSE16MB90	2
148	0310010	SUCTION HOSE, 1-1/4ID X50 100R4	1
149	0400181	1/2-13X1.5 HHCS GR5 ZP	2
150	0400491	1/2" HCL LKWSHR ZP	2
--	0908382	KIT - MUDFLAP LRG CENTURY WKR	
151	0310631	MUD FLAP, CENTURY	2
152	0400103	5/16-18X1.25 HHCS GR5 ZP	8
153	0400148	3/8-16X1.25 HHCS GR5 ZP	4
154	0400382	5/16-18 NYLOK HEX NUT ZP	8
155	0400392	3/8-16 NYLOK HEX NUT ZINC	4
156	0717386	BAR - MUDFLAP	2
157	0718139	ANGLE - MUD FLAP MOUNT	2
--	0908446	KIT, SWITCH/DECALS 2-SPD WINCH	
158	0501647	DECAL, 2-SPEED	2

Section I - PARTS (cont'd)

7035 2-SPEED PARTS LIST (cont'd)

ITEM	PART NUMBER	DESCRIPTION	QTY
--	0908446	KIT, SWITCH/DECALS 2-SPD WINCH (cont'd)	
159	9024041	SWITCH-ROCKER, LIGHTED 12V	4
--	0907777	BASIC UNIT ASSY-7035 2-SPEED	
160	0903156	CROSSBAR-5" ASSY	1
161	0906479	UNDERLIFT & TOWER ASSY (7035)	1
162	0910472	BUA-7035 2-SP LESS U/L & TOWER	1
--	0903156	CROSSBAR-5" ASSY	
163	0301197	COMP.SPRING, CROSS BAR, FI	1
164	0301398	STEEL BALL, 1-3/16 DIA	1
165	0301822	O-RING - PIVOT PIN	1
166	0303097	THRUST WASHER - 1/8 THK	1
167	0303098	THRUST WASHER - 1/16 THK	1
168	0400271	5/8-11X4.5SKTHDCAPSCREW	2
169	0400508	5/8" HELICAL LCKWSHR ZP	2
170	0708470	SPACER - DETENT BALL SPRG	1
171	0710051	PIN - TOP HALF PIVOT	1
172	0710052	PIN - BOTTOM HALF PIVOT	1
173	0802914	CROSSBAR WELDMENT	1
--	0906479	UNDERLIFT & TOWER ASSY (7035)	
174	0300113	GREASE FITTING, 1/4-28 STRAIGHT	8
175	0301601	CLAMP, HOSE, INSUL, 5/8	4
176	0301620	FITTING, HYD. 6MJ - 6MB90	2
177	0301662	HOSE HYD, 120" 6M1T 6FJX-6FJX	2
178	0302911	HOSE HYD, 88"	1
179	0306746	CYL HYD - FOLD	1
180	0306870	HOSE HYDR - 96"	1
181	0400132	3/8-16X1.5 HHCS GR5 ZP	1
182	0400151	3/8-24X3/4 HHCS GR5 ZP	5
183	0400176	1/2-13X1 HHCS GR5 ZP	1
184	0400392	3/8-16 NYLOK HEX NUT ZINC	3
185	0400480	3/8 FLATWASHER ZP	1
186	0400481	3/8" EXT.TOOTH LOCKWASHER	9
187	0400482	3/8" HELICAL LCKWSHR - ZP	1
188	0400491	1/2" HCL LKWSHR ZP	1
189	0706432	BLOCK - STOP	2
190	0717657	PLATE, STOP BLOCK SUPRT	2
191	0717851	BLOCK, STOP	2
192	0802365	PIN-TOWER PIVOT WLMT	2
193	0802459	PIN-FOLD CYL. WLDMT	1
194	0802461	PIN-UNDERLIFT PIVOT WLMT	1
195	0804421	TOWER WLMT - 7035	1
196	0804483	CABLE TIE BACK WLMT	2
197	0806756	PIN WELD'T - FOLD CYLINDER	1
198	0906480	U/L BOOM ASSY (7035)	1
199	0906572	KIT-WINCH CABLE STOW	2
200	RB0205	SPLIT BUSHING	2

Section I - PARTS (cont'd)

7035 2-SPEED PARTS LIST (cont'd)

ITEM	PART NUMBER	DESCRIPTION	QTY
--	0906480	U/L BOOM ASSY (7035)	
201	0301470	FITTING, 90ELB 6MJ-8MB90	2
202	0302538	BUSHING - U/L	2
203	0302561	SLIDE PAD	8
204	0303490	PAD-WEAR 1/2" X 1" X 4"	2
205	0306744	CYL U/L EXTEND	1
206	0306825	SLIDE PAD - 3/4 X 1 X 4	2
207	0307420	SLEEVE, NYLON PROTECTIVE-24HG	2
208	0400122	3/8-16X1.25 HHCS GR5 ZP	1
209	0400139	3/8-16X1.5 HEX SKT SET	2
210	0400147	3/8-24X5/8 HHCS GR5 ZP	4
211	0400151	3/8-24X3/4 HHCS GR5 ZP	5
212	0400228	3/8-24X5/8 BUTTON HEAD	8
213	0400392	3/8-16 NYLOK HEX NUT ZINC	2
214	0400481	3/8" EXT.TOOTH LOCKWASHER	9
215	0400990	SET SCRW, 1/2-13X1/2 SKT, CUP PT	8
216	0706995	BLOCK-STOP 2ND STAGE	4
217	0706996	PAD, SPACER	1
218	0707019	SHAFT, EXTEND CYL	1
219	0707028	PAD, BOLT-ON BEARING	1
220	0716033	PIN - EXT CYL (7035 U/L)	1
221	0804422	OUTER BOOM WLMT - 7035 U/L	1
222	0804423	2ND STAGE BOOM WLMT - 7035	1
223	0906481	3RD STAGE BOOM ASSY - 7035	1
--	0906481	3RD STAGE BOOM ASSY - 7035	
224	0303088	BUSHING - PIVOT PIN	1
225	0400044	10X1/2 DRIVE SCREW RD	8
226	0703277	PAD, SLIDER	2
227	0804424	3RD STAGE BOOM WLMT - 7035	1
228	0906572	KIT-WINCH CABLE STOW	
229	0400257	5/8-11X3.25 HHCS GR5 ZP	1
230	0400421	5/8-11 NYLOK HEX NUT ZP	1
231	0804483	CABLE TIE BACK WLMT	1
232	9048800	5/8 WELDLESS CHAIN LINK	1
233	945030007	CABLE TIE BACK SPRING-1	1
--	0910472	BUA-7035 2-SP LESS U/L & TOWER	
234	0400002	4X1/4 DRIVE SCREW RD HD	4
235	0501219	PLATE - SERIAL & DATA GENERIC	1
236	0707792	PIN-TILT CYL-BASE END	1
237	0707793	PIN-TILT CYL-ROD END	1
238	0906487	BOOM INSTALLATION - 7035	1
239	0906531	KIT - BOOM SWIVEL	1
240	0907315	SUBFRAME ASSY - 7035	1
241	0907778	WINCH ASSEMBLY - 7035 2-SPEED	1
--	0906487	BOOM INSTALLATION - 7035	
242	0301207	HOSE HYD, 72"	2
243	0301895	GREASE FITTING, STR 1/8 PTF	2

Section I - PARTS (cont'd)

7035 2-SPEED PARTS LIST (cont'd)

ITEM	PART NUMBER	DESCRIPTION	QTY
--	0906487	BOOM INSTALLATION - 7035 (cont'd)	
244	0302504	HYD TUBING	6
245	0302514	ADAPTER 8MJ-6MJ	6
246	0302546	CLAMPING UNIT C-PH-10-2	6
247	0302548	CLAMPING UNIT(SET) HC-10-6	4
248	0302549	SPLIT BUSH.RUBBER C-SB10-8 1/2	24
249	0302550	C-SB-10-12 3/4 SPLIT	10
250	0302551	C-SN-10 SOCKET-HEAD	11
251	0302955	HOSE HYD, 48-1/4"	2
252	0303763	HOSE HYD, 94"	2
253	0400118	5/16-18X3/4 HHCS GR5 ZP	22
254	0400132	3/8-16X1.5 HHCS GR5 ZP	2
255	0400181	1/2-13X1.5 HHCS GR5 ZP	2
256	0400220	1/2-13X5.5" HHCS GR5 ZP	1
257	0400392	3/8-16 NYLOK HEX NUT ZINC	4
258	0400408	1/2-13 NYLOK HEX NUT ZP	3
259	0400492	1/2" FLATWASHER ZP	2
260	0705104	PLATE-WINCH CABLE SPPT.	1
261	0713217	BAR	6
262	0715953	PIN - BOOM PIVOT	1
263	0802463	PIN-LIFT CYL. PIVOT WLMT	2
264	0906488	KIT - TILT CYLINDER (7035)	1
265	0906489	BOOM ASSEMBLY - 7035	1
--	0906488	KIT - TILT CYLINDER (7035)	
266	0300113	GREASE FITTING, 1/4-28 STRAIGHT	8
267	0301470	FITTING, 90ELB 6MJ-8MB90	2
268	0301522	FITTING, CONN. 6MJ-6MB	1
269	0301619	FITT, 6MJ-6MJ-6MB BRANCH TEE	1
270	0301620	FITTING, HYD. 6MJ - 6MB90	1
271	0302035	HOSE HYD, 18" 6FJX-6FJX -6M1T	1
272	0302805	HOSE HYD, 10"	1
273	0302842	FITTING, TEE	2
274	0302914	HOSE HYD, 35"	1
275	0302915	HOSE HYD, 12"	2
276	0303563	HOSE HYD, 27"	1
277	0307040	CYL - U/L TILT	2
278	0307106	FITT, CONNECTOR 4MB-6FB	1
279	0307107	VALVE, HOLDING 4000 PSI SAE	1
280	0400064	1/4-20X2.25 SLOTTED RD	2
281	0400078	1/4-20X2 HHCS GR5 ZP	2
282	0400133	3/8-16X3 HHCS GR5 ZP	4
283	0400367	1/4-20 NYLOK HEX NUT ZP	2
284	0400392	3/8-16 NYLOK HEX NUT ZINC	4
285	0402110	1/4 SS FLAT WASHER	2
286	0703001	BRKT, MTG, CHECK VALVE	1
287	0707792	PIN-TILT CYL-BASE END	1
288	0707793	PIN-TILT CYL-ROD END	1

Section I - PARTS (cont'd)

7035 2-SPEED PARTS LIST (cont'd)

ITEM	PART NUMBER	DESCRIPTION	QTY
--	0906489	BOOM ASSEMBLY - 7035	
289	0300113	GREASE FITTING, 1/4-28 STRAIGHT	4
290	0300132	14" UV BLK CABLE TIE	1
291	0301949	3/8" OD AIRLINE, SYNDFLEX HOSE	16
292	0302552	C-WA-10 WELD ADAPTER	11
293	0303490	PAD-WEAR 1/2" X 1" X 4"	2
294	0400059	1/4-20X5/8 HHCS GR5 ZP	2
295	0400121	3/8-16X3/4 HHCS GR5 ZP	7
296	0400176	1/2-13X1 HHCS GR5 ZP	2
297	0400248	5/8-11X1HHCS GR 8 ZP	4
298	0400452	1/4" HELICAL LCKWASHR ZP	2
299	0400482	3/8" HELICAL LCKWSHR - ZP	4
300	0400491	1/2" HCL LKWSHR ZP	2
301	0400990	SET SCRW, 1/2-13X1/2 SKT, CUP PT	4
302	0804402	OUTER BOOM WLMT - 7035	1
303	0804403	INNER BOOM WLMT - 7035	1
304	0906490	KIT - EXT. CYLINDER (7035)	1
305	0908430	KIT-D RING BOOM	1
306	3012-793001	PLATE - LUBE MTG .	1
307	9044434	3/8-16X1 NC FLAT SOCKET HD CAP	2
308	930100002	LOWER WEAR PAD-RECOVERY	1
309	945030001	PAD RETAINING PLATE-UPPE	1
310	945030004	UPPER WEAR PAD-RECOVERY	1
311	DE1381	1/2 WASHER SAE 17/32 ID	2
312	RB0205	SPLIT BUSHING	2
--	0906490	KIT - EXT. CYLINDER (7035)	
313	0301529	HOSE HYD, 58	2
314	0302276	FITTING, ELB 90 DEG	2
315	0306743	CYL - BOOM EXTEND	1
316	0400392	3/8-16 NYLOK HEX NUT ZINC	2
317	0400482	3/8" HELICAL LCKWSHR - ZP	2
318	0400771	3/8-16 X 1-1/2 HHCS GR 8	2
319	0715951	PIN - EXT CYL BASE	1
320	0715952	PIN - EXT CYL ROD	1
321	0810012	SPIDER CLAMP	1
322	HD0151	SNAP RING, 2"INTERNAL	4
--	0908430	KIT-D RING BOOM	
323	0400114	5/16-18X3 HHCS GR5 ZP	1
324	0400776	5/16-18 HEX NUT JAM NYLOK ZP	1
325	0719585	D-RING, TOWING	1
326	GA0215	PIN-"D" RING	1
--	0906531	KIT - BOOM SWIVEL	
327	0400554	3/8X1 ROLL PIN ZP	6
328	0906532	SWIVEL - BOOM ASSEMBLY	2
--	0906532	SWIVEL - BOOM ASSEMBLY	
329	0300113	GREASE FITTING, 1/4-28 STRAIGHT	1

Section I - PARTS (cont'd)

7035 2-SPEED PARTS LIST (cont'd)

ITEM	PART NUMBER	DESCRIPTION	QTY
--	0906532	SWIVEL - BOOM ASSEMBLY (cont'd)	
330	0303441	SHEAVE-10" DIA X 1.5 BORE	1
331	0400133	3/8-16X3 HHCS GR5 ZP	1
332	0400150	3/8-16X2.5 HHCS GR5 ZP	2
333	0400392	3/8-16 NYLOK HEX NUT ZINC	3
334	0700801	GUIDE, BOTTOM CABLE	2
335	0716134	SHAFT - SHEAVE	1
336	0803313	GUIDE-CABLE WELDMENT	1
337	0804449	BOOM END SWIVEL WLDT-INTEGRATD	1
--	0907315	SUBFRAME ASSY - 7035	
338	0302538	BUSHING - U/L	2
339	0400070	1/4-20X1 HHCS GR5 ZP	2
340	0400288	3/4-10X2.5HHCS GR 8GOLD	12
341	0400367	1/4-20 NYLOK HEX NUT ZP	2
342	0400431	3/4-10 NYLOK HEX GR 8 ZP	12
343	0711164	BLOCK - SHEAR	4
344	0712522	BAR	4
345	0714581	PLATE - BOLTING	4
346	0716201	PLATE - BULKHEAD	1
347	0804405	BRACKET - BOOM PIVOT	2
348	0806001	SUBFRAME WELD'T - 7035/9055	1
349	0902553	KIT-D RING LARGE	1
350	0903528	LINK-LT.&RT. SIDE CONT.	1
351	0906313	SPADE ASSY - REAR HYDRAULIC	1
352	0906483	KIT - LIFT CYLINDER 7035	1
353	0906498	KIT-FRAME HYDRAULIC 7035	1
354	0907139	PAN-VALVE ASSY	1
355	0907140	KIT-VALVE COVER 9055	1
356	0907288	CONTROL ASSY (9) HANDLES	1
357	0907289	RIGHT CONTROL ASSY-(6 HANDLE)	1
358	0907347	KIT - REAR HANDRAIL	1
359	0907802	KIT - RESERVOIR 5130-9055	1
--	0902553	KIT-D RING LARGE	
360	0400114	5/16-18X3 HHCS GR5 ZP	2
361	0400776	5/16-18 HEX NUT JAM NYLOK ZP	2
362	0719585	D-RING, TOWING	2
363	GA0215	PIN-"D" RING	2
--	0903528	LINK-LT.&RT. SIDE CONT.	
364	0303008	ADJUSTABLE CLEVIS	3
365	0400103	5/16-18X1.25 HHCS GR5 ZP	9
366	0400122	3/8-16X1.25 HHCS GR5 ZP	6
367	0400382	5/16-18 NYLOK HEX NUT ZP	9
368	0400383	5/16-24 HEX NUT ZP	12
369	0400392	3/8-16 NYLOK HEX NUT ZINC	6
370	0400466	5/16 INT.TOOTH LOCKWSHR	47
371	0711249	PLATE - CONTROL BULKHEAD	2
372	0711250	PLATE - CONTROL BULKHEAD	1

Section I - PARTS (cont'd)

7035 2-SPEED PARTS LIST (cont'd)

ITEM	PART NUMBER	DESCRIPTION	QTY
--	0903528	LINK-LT.&RT. SIDE CONT. (cont'd)	
373	0801054	CONNECTOR-CONTROL CABLE	6
--	0906313	SPADE ASSY - REAR HYDRAULIC	1
374	0300044	FITT, HYD CONN. 6MJ-8MB	4
375	0300134	CLAMP, 1" HOSE INSULATED	12
376	0301861	QUICK PIN, LINCH -B7932 PL 7/16	2
377	0303748	HOSE HYD, 136	4
378	0307843	CYL, HYD TI-S40030032PPBZ	2
379	0400066	1/4-20X3/4 HHCS GR5 ZP	8
380	0400139	3/8-16X1.5 HEX SKT SET	4
381	0400392	3/8-16 NYLOK HEX NUT ZINC	10
382	0400452	1/4" HELICAL LCKWASHR ZP	8
383	0713128	SHAFT - LOWER SPADE	2
384	0713129	SHAFT - UPPER SPADE	2
385	0715584	PLATE - REAR SPADE COVER	2
386	0715694	PIN - SPADE PIVOT	2
387	0804334	PIN - MULTI-POSITION	2
388	0807627	INNER SPADE WELD'T LH	1
389	0807628	INNER SPADE WELD'T RH REINF	1
390	0807630	LOWER SPADE PAD WLMT	2
391	9046354	SPRING PIN 1/4 X 2-1/2	2
--	0906483	KIT - LIFT CYLINDER 7035	
392	0300365	CLAMP, CHECK VALVE RET.7	2
393	0300657	HOSE HYD, 46" LG	2
394	0300659	HOSE HYD, 45"	2
395	0301388	FITTING, 90ELL, 8MJ-8MB90	4
396	0302275	FITTING, CONN 8MJ-6MB W/STEP	2
397	0302276	FITTING, ELB 90 DEG	4
398	0302568	HYD TUBING	2
400	0302796	FITTING, TEE	2
401	0306747	CYL - BOOM LIFT	2
402	0307106	FITT, CONNECTOR 4MB-6FB	2
403	0307107	VALVE, HOLDING 4000 PSI SAE	2
404	0307614	TUBING-HYD ASSY 1/2" DIA 7035	2
405	0400078	1/4-20X2 HHCS GR5 ZP	4
406	0400219	1/2-13X4.5HHCS GR5 ZP	2
407	0400366	1/4-20 HEX NUT ZP	4
408	0400408	1/2-13 NYLOK HEX NUT ZP	2
409	0400451	1/4 FLATWASHER ZP	4
410	0400452	1/4" HELICAL LCKWASHR ZP	4
411	0703001	BRKT, MTG, CHECK VALVE	2
412	0708094	PIN - LIFT CYLINDER	2
--	0906498	KIT-FRAME HYDRAULIC 7035	
413	0301473	HOSE HYD, 18" LG	2
414	0301837	INLINE ORIFICE	1
415	0301965	HOSE HYD, 131"	2
416	0302546	CLAMPING UNIT C-PH-10-2	2

Section I - PARTS (cont'd)

7035 2-SPEED PARTS LIST (cont'd)

ITEM	PART NUMBER	DESCRIPTION	QTY
--	0906498	KIT-FRAME HYDRAULIC 7035 (cont'd)	
417	0302550	C-SB-10-12 3/4 SPLIT	6
418	0302551	C-SN-10 SOCKET-HEAD	2
419	0302552	C-WA-10 WELD ADAPTER	3
420	0302574	FITTING-BULKHEAD RUN TEE	2
421	0302576	FITTING, BULKHEAD UNION	14
422	0302584	HOSE HYD, 50"	3
423	0302805	HOSE HYD, 10"	1
424	0302835	C-WA-10 WELD ADAPTER	4
425	0302955	HOSE HYD, 48-1/4"	6
426	0303036	8 FJ CAP	2
427	0303342	HOSE HYD, 30" LG	6
428	0303348	HOSE HYD, 48" LG	3
429	0303354	HOSE HYD, 33" LG	1
430	0303355	HOSE HYD, 33" LG	1
431	0303435	HOSE HYD, 58"	2
432	0303562	HOSE HYD, 37"	1
433	0303563	HOSE HYD, 27"	1
434	0307345	FITTING, ADAPTER 16FJ-12MJ	2
435	0400078	1/4-20X2 HHCS GR5 ZP	2
436	0400118	5/16-18X3/4 HHCS GR5 ZP	3
437	0400367	1/4-20 NYLOK HEX NUT ZP	2
--	0907139	PAN-VALVE ASSY	
438	0300044	FITT, HYD CONN. 6MJ-8MB	2
439	0301470	FITTING, 90ELB 6MJ-8MB90	2
440	0301730	VALVE, DOUBLE HOLDING	1
441	0400078	1/4-20X2 HHCS GR5 ZP	2
442	0400109	5/16-18X1 HHCS GR5 ZP	9
443	0400135	3/8-16X4.5 HHCS GR5 ZP	6
444	0400157	3/8-16X1.75 HHCS GR5 ZP	8
445	0400367	1/4-20 NYLOK HEX NUT ZP	2
446	0400382	5/16-18 NYLOK HEX NUT ZP	2
447	0400384	5/16-24 NYLOK HEX NUT ZP	2
448	0400392	3/8-16 NYLOK HEX NUT ZINC	12
449	0400451	1/4 FLATWASHER ZP	2
450	0704045	SPACER-CONTROL VALVE	6
451	0717827	PLATE, VALVE MOUNTING	1
452	0719122	PLATE - VALVE MTG	1
453	0906494	VALVE ASSY, PARKER 4 SPL W/FTGS	1
454	0906495	VALVE ASSY, PARKER 5 SPL W/FTGS	1
--	0906494	VALVE ASSY, PARKER 4 SPL W/FTGS	
455	0300044	FITT, HYD CONN. 6MJ-8MB	3
456	0300052	FITTING, ELB 8MJ-10MB 90	1
457	0301388	FITTING, 90ELL, 8MJ-8MB90	1
458	0301522	FITTING, CONN. 6MJ-6MB	3
459	0301545	FITTING, ELB 12MJ-12MB 90	1
460	0301995	FITTING, ADAPTER STR	1
461	0302052	FITTING, RUN TEE	1

Section I - PARTS (cont'd)

7035 2-SPEED PARTS LIST (cont'd)

ITEM	PART NUMBER	DESCRIPTION	QTY
--	0906494	VALVE ASSY, PARKER 4 SPL W/FTGS (cont'd)	
462	0302508	FITTING, ELL 8MJ-8MB 90LL	1
463	0303017	FITTING, CONNECTOR	3
464	0303093	VALVE, 4 SPOOL PARKER	1
--	0906495	VALVE ASSY, PARKER 5 SPL W/FTGS	
465	0300044	FITT, HYD CONN. 6MJ-8MB	6
466	0300052	FITTING, ELB 8MJ-10MB 90	1
467	0301388	FITTING, 90ELL, 8MJ-8MB90	1
468	0301522	FITTING, CONN. 6MJ-6MB	2
469	0301545	FITTING, ELB 12MJ-12MB 90	1
470	0301995	FITTING, ADAPTER STR	1
471	0302052	FITTING, RUN TEE	1
472	0302508	FITTING, ELL 8MJ-8MB 90LL	1
473	0303017	FITTING, CONNECTOR	2
474	0303094	VALVE, 5 SPOOL PARKER	1
--	0907140	KIT-VALVE COVER 9055	
475	0400121	3/8-16X3/4 HHCS GR5 ZP	4
476	0400482	3/8" HELICAL LCKWSHR - ZP	4
477	0717066	COVER - VALVE	1
478	0807181	COVER, SUPPORT WELDMENT	4
--	0907288	CONTROL ASSY (9) HANDLES	
479	0301473	HOSE HYD, 18" LG	2
480	0302205	GAUGE, FLUSH MNTG-6000 PSI	2
481	0302457	CABLE, CONTROL 104	3
482	0302726	GREASE FITTING, 1/4-28 X 45DEG	9
483	0303427	CABLE, CONTROL 114"	6
484	0400107	5/16-18X2.5 HHCS GR5 ZP	4
485	0400109	5/16-18X1 HHCS GR5 ZP	4
486	0400382	5/16-18 NYLOK HEX NUT ZP	8
487	0400393	3/8-16 HEX NUT JAM ZP	9
488	0400451	1/4 FLATWASHER ZP	8
489	0400512	3/4 FLAT WASHER(SPECIAL)	2
490	0400527	CLEVIS PIN, 5/16X1"X5/8"GRIP	9
491	0711235	CLAMP - SHAFT CONTROL BOX	2
492	0717198	PIN - CONTROL HANDLE (9)	1
493	0717461	PLATE - SUPPORT SHAFT	2
494	0806006	CLEVIS WELD'T	9
495	0806007	CONTROL FRAME WELD'T-(9) HANDL	1
496	0907441	CONTROL HANDLE ASSY - SHORT	9
497	FC41	FITTING-90DEG BLKHD ELB	2
--	0907441	CONTROL HANDLE ASSY - SHORT	
498	0806515	CONTROL HANDLE WELD'T	1
499	9053524	BEARING BR. FLG.752 X .879X.75	2
--	0907289	RIGHT CONTROL ASSY-(6 HANDLE)	
500	0302457	CABLE, CONTROL 104	2

Section I - PARTS (cont'd)

7035 2-SPEED PARTS LIST (cont'd)

ITEM	PART NUMBER	DESCRIPTION	QTY
--	0907289	RIGHT CONTROL ASSY-(6 HANDLE) (cont'd)	
501	0302457	CABLE, CONTROL 104	2
502	0302726	GREASE FITTING, 1/4-28 X 45DEG	6
503	0303427	CABLE, CONTROL 114"	4
504	0400107	5/16-18X2.5 HHCS GR5 ZP	4
505	0400109	5/16-18X1 HHCS GR5 ZP	2
506	0400382	5/16-18 NYLOK HEX NUT ZP	6
507	0400451	1/4 FLATWASHER ZP	6
508	0400512	3/4 FLAT WASHER(SPECIAL)	2
509	0400527	CLEVIS PIN, 5/16X1"X5/8"GRIP	6
510	0711235	CLAMP - SHAFT CONTROL BOX	2
511	0717203	PIN - CONTROL HANDLE (6)	1
512	0717206	TUBE - 1.25 OD SPACER	1
513	0717461	PLATE - SUPPORT SHAFT	1
514	0806006	CLEVIS WELD'T	6
515	0806008	CNTRL FRAME WELD'T-(6, 7, 8 HND)	1
516	0907441	CONTROL HANDLE ASSY - SHORT	6
--	0907441	CONTROL HANDLE ASSY - SHORT	
517	0806515	CONTROL HANDLE WELD'T	1
518	9053524	BEARING BR. FLG.752 X .879X.75	2
--	0907347	KIT - REAR HANDRAIL	
519	0400148	3/8-16X1.25 HHCS GR5 ZP	6
520	0400392	3/8-16 NYLOK HEX NUT ZINC	6
521	0806521	HAND RAIL WELD'T	2
--	0907802	KIT - RESERVOIR 5130-9055	
522	0300287	FITTING, PIPE BUSHING, 1.25X1	2
523	0300364	CLAMP-HOSE, 0.875"-2.75" 50"LBS	2
524	0301350	PIPE, 1-1/2 CLOSE NIPPLE	2
525	0301894	SPIN-ON FLTR ASSY	2
526	0302227	CENTER BONDED MOUNT	4
527	0302228	SPECIAL WASHER (LORD	4
528	0302570	SIGHT GAUGE 3/4 NPT (SVM-12)	2
529	0302756	SUCTION HOSE, 1-1/4IDX100 100R4	2.25
530	0303155	PIPE PLUG 3/4 NPT MAGNETIC	2
531	0303338	FITTING, ELBOW	2
532	0305006	FILLER CAP (GO205, FB194)	2
533	0307344	SUCTION STRAINER	2
534	0400122	3/8-16X1.25 HHCS GR5 ZP	8
535	0400149	3/8-16 X 5/8 HHCS GR5 ZP	24
536	0400150	3/8-16X2.5 HHCS GR5 ZP	4
537	0400392	3/8-16 NYLOK HEX NUT ZINC	12
538	0400480	3/8 FLATWASHER ZP	24
539	0706114	GSKT-CLEANOUT&FLLR COVER	2
540	0802747	PIPE-FILLER WLMT	2
541	0803193	SUPPORT-RESERVOIR WLDMT.	2
542	0806653	RESERVOIR-LEFT WELDMENT	1
543	0806654	RESERVOIR-RIGHT WELDMENT	1

Section I - PARTS (cont'd)

7035 2-SPEED PARTS LIST (cont'd)

ITEM	PART NUMBER	DESCRIPTION	QTY
--	0907778	WINCH ASSEMBLY - 7035 2-SPEED	
544	0300041	FITTING, CONNECTOR 8MJ-8MB	4
545	0301577	1/4 OD PLASTIC AIRLINE, BLACK	70
546	0302495	CONVOLUTED LOOM 1/4	70
547	0302496	WIRE, 12GA-WHITE/BLACK	4
548	0303799	WINCH, DP35K 2-SPEED	2
549	0310194	HARNESS, WIRING 2-SPEED	1
550	0311193	6" CABLE TIE	35
551	0400262	5/8-11X2.5" HHCS GR 8 ZP	16
552	0400426	5/8-11 GR 8 NYLOK NUT YZ PLT	16
553	0711164	BLOCK - SHEAR	8
554	0715947	ANGLE - WINCH MOUNTING	2
555	0715948	ANGLE - WINCH MOUNTING	2
556	0715949	ANGLE - WINCH MOUNTING	2
557	0715950	ANGLE - WINCH MOUNTING	2
558	9010520	FITT, BRASS ELB 1/4T-1/4MP	2
559	9011071	FITT, BRASS TEE 1/4T-1/4T-1/4T	1
--	0911135	INTEGRATED NON-LIGHTED CONTROL	
560	0907708	CNTRL KIT RT (KNOB, DECAL, PL)	1
561	0907757	CNTRL KIT LEFT (KNOB, DECAL, PL)	1
--	0907708	CNTRL KIT RT (KNOB, DECAL, PL)	
562	0300835	KNOB-BOOM (UP-DOWN)	1
563	0300836	KNOB-CTRL-JACK (UP-DOWN)	2
564	0300837	KNOB-BOOM (IN-OUT)	1
565	0307166	PLUG 7/8	2
566	0307604	KNOB, RED LONG - SK0700-07	2
567	0310021	PIGTAIL, PWR - SWITCH	1
568	0310022	PIGTAIL, GND - SWITCH	1
569	0400061	1/4-20X3/4 MACH SCREW	3
570	0400062	1/4-20X3/4 THRD CUT HEX	12
571	0400070	1/4-20X1 HHCS GR5 ZP	4
572	0400101	5/16-18X1 RD MACH HD SS	4
573	0400107	5/16-18X2.5 HHCS GR5 ZP	4
574	0400367	1/4-20 NYLOK HEX NUT ZP	4
575	0400369	1/4 "J" TYPE TINNERMAN	3
576	0400379	5/16-18 "J" NUT TINNERMAN	4
577	0400393	3/8-16 HEX NUT JAM ZP	4
578	0400451	1/4 FLATWASHER ZP	6
579	0500914	DECAL-CTRL PANEL WRECKER	1
580	0500915	DECAL-CTRL PANEL SPADE	1
581	0501157	TAG-CAUTION WINCH CABLE DAMAGE	2
582	0723231	PANEL-CONTROL 6 HANDLE	1
583	0723232	PANEL-SWITCH	1
584	0724648	BRACE	1
585	9024041	SWITCH-ROCKER, LIGHTED 12V	2
--	0907757	CNTRL KIT LEFT (KNOB, DECAL, PL)	
586	0300835	KNOB-BOOM (UP-DOWN)	1

Section I - PARTS (cont'd)

7035 2-SPEED PARTS LIST (cont'd)

ITEM	PART NUMBER	DESCRIPTION	QTY
--	0907757	CNTRL KIT LEFT (KNOB, DECAL, PL) (cont'd)	
587	0300836	KNOB-CTRL-JACK (UP-DOWN)	2
588	0300837	KNOB-BOOM (IN-OUT)	1
589	0302856	KNOB-TILT, 3/8-16 THREAD	1
590	0302917	KNOB-WHL LIFT EXT IN-OUT	1
591	0303382	KNOB - FOLD (UP-DN)	1
592	0307604	KNOB, RED LONG - SK0700-07	2
593	0307778	PLUG, FILLER	4
594	0310021	PIGTAIL, PWR - SWITCH	1
595	0310022	PIGTAIL, GND - SWITCH	1
596	0400005	SCREW, ROUND PH 6-32 X 1/2 SS	6
597	0400062	1/4-20X3/4 THRD CUT HEX	12
598	0400066	1/4-20X3/4 HHCS GR5 ZP	3
599	0400070	1/4-20X1 HHCS GR5 ZP	4
600	0400101	5/16-18X1 RD MACH HD SS	4
601	0400107	5/16-18X2.5 HHCS GR5 ZP	4
602	0400367	1/4-20 NYLOK HEX NUT ZP	3
603	0400367	1/4-20 NYLOK HEX NUT ZP	4
604	0400369	1/4 "J" TYPE TINNERMAN	3
605	0400379	5/16-18 "J" NUT TINNERMAN	4
606	0400393	3/8-16 HEX NUT JAM ZP	9
607	0400451	1/4 FLATWASHER ZP	6
608	0402094	NUT, HEX 6-32 SS	6
609	0500773	DECAL PLATE-THROTTLE	1
610	0500914	DECAL-CTRL PANEL WRECKER	1
611	0500915	DECAL-CTRL PANEL SPADE	1
612	0500916	DECAL-CTRL PNL UNDERLIFT	1
613	0501157	TAG-CAUTION WINCH CABLE DAMAGE	2
614	0723230	PANEL, CONTROL 9	1
615	0723233	PANEL, GAUGE 9	1
616	0724648	BRACE	1
617	9024041	SWITCH-ROCKER, LIGHTED 12V	3

Section I - PARTS (cont'd)

7035 2-SPEED W/ LOWRIDER 3 PARTS LIST

ITEM	PART NUMBER	DESCRIPTION	QTY
--	125736033	7035 2-SP W/ LOWRIDER 3	
1	0911086	BUA 7035 W/ LOWRIDER 3	1
--	0911086	BUA 7035 W/ LOWRIDER 3	
2	0400002	4X1/4 DRIVE SCREW RD HD	4
3	0903156	CROSSBAR-5" ASSY	1
4	0910472	BUA-7035 2-SP LESS U/L & TOWER	1
5	0911087	U/L AND TOWER LOWRIDER 3	1
--	0911087	U/L AND TOWER LOWRIDER 3	
6	0306745	CYL - U/L TILT	2
7	0306746	CYL HYD - FOLD	1
8	0400176	1/2-13X1 HHCS GR5 ZP	2
9	0802365	PIN-TOWER PIVOT WLMT	2
10	0802459	PIN-FOLD CYL. WLDMT	1
11	0802461	PIN-UNDERLIFT PIVOT WLMT	1
12	0806756	PIN WELD'T - FOLD CYLINDER	1
13	0807647	TOWER WLMT - 7035	1
--	0906572	KIT-WINCH CABLE STOW	
14	0911039	7035 LOWRIDER 3 ASSY	1
15	RB0205	SPLIT BUSHING	2
--	0911039	7035 LOWRIDER 3 ASSY	
16	0300113	GREASE FITTING, 1/4-28 STRAIGHT	6
17	0302538	BUSHING - U/L	2
18	0310629	CYL, HYD - U/L BOOM EXTEND	2
19	0400079	1/4-20X3/4 FL SKTSCR GR5	8
20	0400086	1/4-20X1.25 FLTHDSKTCPCSC	4
21	0400139	3/8-16X1.5 HEX SKT SET	1
22	0400249	5/8-11X1.25" SOC HD CAP S	2
23	0400344	1/2-13X3/4 LG FLAT HD SOCKET 8	8
24	0400392	3/8-16 NYLOK HEX NUT ZINC	1
25	0400594	1/4-20X5/8 SOC FLT HD	4
26	0400749	1/2-13X1.25 FLT HD SKT CAP SRW	8
27	0717869	PLATE, SPACER (BOLT-ON)	4
28	0717871	PIN, CYLINDER ROD	1
29	0717872	PIN, EXTEND CYLINDER BASE	1
30	0717873	PIN, SHEAR OUTER BOOM	2
31	0718087	PLATE - PAD SPACER	2
32	0718096	BLOCK, STOP	2
33	0724419	PLATE-PLUG RETAINER	2
34	0807973	OUTER UL BOOM 7035 LOWRIDER 3	1
35	0807974	CTR UL BOOM 7035 LOWRIDER 3	1
36	0810014	BRACKET-EXT CYL	1
37	0911040	LOWRIDER 3 INNER ASSY	1
38	930150003	TOP PADS	6
--	0911040	LOWRIDER 3 INNER ASSY	
39	0300113	GREASE FITTING, 1/4-28 STRAIGHT	2

Section I - PARTS (cont'd)

7035 2-SPEED W/ LOWRIDER 3 PARTS LIST (cont'd)

ITEM	PART NUMBER	DESCRIPTION	QTY
--	0911040	LOWRIDER 3 INNER ASSY (cont'd)	
40	0303088	BUSHING - PIVOT PIN	1
41	0400483	3/8 CNTR'SUNK LOCKWASHER	4
42	0400594	1/4-20X5/8 SOC FLT HD	4
43	0400653	FLAT HD SOCKET SCRW 3/8-24 X 1	4
44	0706996	PAD, SPACER	1
45	0807975	INNER UL BOOM 7035 LOWRIDER 3	1
46	930150003	TOP PADS	2

CENTURY®

Miller Industries Towing Equipment Inc.

8503 Hilltop Drive • Ooltewah, Tennessee 37363 • (423) 238-4171

www.millerind.com