



## OWNER'S MANUAL

# V-100

## PARTS

**NOTE: MANUAL including SPECIFICATIONS, subject to change without notice.  
All ratings specified are based on structural factors only,  
not vehicle capacities or capabilities.**



Miller Industries Towing Equipment Inc.  
8503 Hilltop Drive  
Ooltewah, Tennessee 37363  
Phone (423) 238-4171 • FAX (423) 238-5371

FORM NO. 0501766  
11 / 2010  
PRICE \$25.00

## LIMITED WARRANTY

MILLER INDUSTRIES TOWING EQUIPMENT INC., hereinafter referred to as MILLER, warrants to the original purchaser that each new MILLER wrecker or other MILLER products will be free from defects in material and workmanship for a period of twelve (12) months from date placed in service, but in no event shall such warranty period exceed twenty-four (24) months from date of manufacture by MILLER. The purchaser must promptly notify MILLER in writing of any failure in material or workmanship. In no event shall MILLER accept such notification later than twenty-four (24) months from date of delivery or twelve (12) months from date placed in service, whichever is earlier.

MILLER's obligation under this warranty, statutory or otherwise, is limited to the repair or replacement at the MILLER factory, or at a point designated by MILLER, of such part or parts as shall appear upon inspection by MILLER to be defective in material or workmanship. New or remanufactured parts will be used for any replacement at MILLER's option. This warranty is not transferable. This warranty does not obligate MILLER to bear the cost of labor or transportation charges in connection with the repair or replacement of any parts found to be defective, nor shall it apply to a product upon which repairs or alterations have been made unless authorized by MILLER.

EXCEPT AS EXPRESSLY SET FORTH IN THIS WARRANTY, MILLER MAKES NO OTHER WARRANTY, EXPRESS OR IMPLIED, AND HEREBY DISCLAIMS ALL OTHER WARRANTIES INCLUDING, BUT NOT LIMITED TO, THE IMPLIED WARRANTIES OF MERCHANTABILITY AND FITNESS FOR A PARTICULAR PURPOSE. MILLER shall in no event be liable for claimed downtime, claimed loss of profits or goodwill, or any other special, incidental, indirect, or consequential damages concerning or relating to any product or parts, whether based on negligence, strict liability, breach of contract, breach of warranty, misrepresentation or any other legal theory, regardless of whether the loss resulted from any general or particular requirement which MILLER knew or had reason to know about at the time of sale.

MILLER MAKES NO WARRANTY, EXPRESS OR IMPLIED, AS TO THE FINISHED PRODUCTS MANUFACTURED OR SUPPLIED BY ANOTHER MANUFACTURER AND SUPPLIED BY MILLER TO PURCHASER, including, but not limited to, any vehicle to which a MILLER product may be affixed or any accessories or wire rope, and MILLER EXPRESSLY DISCLAIMS ANY IMPLIED WARRANTIES OF MERCHANTABILITY OR FITNESS FOR A PARTICULAR PURPOSE AS TO SUCH EQUIPMENT OR PRODUCTS. This language shall in no way affect or diminish the rights of the purchaser to rely on such warranties as are extended by such manufacturers or suppliers. MILLER shall, to the extent permitted under applicable law, pass on to the purchaser such manufacturer's or seller's warranty.

MILLER, whose policy is one of continuous improvement, reserves the right to improve its products through changes in design or materials as it may deem desirable without being obligated to incorporate such changes in products previously sold. This warranty is not intended to cover or include the following items, which are set forth by way of example and not limitation:

- A. Normal deterioration of trim, paint, lettering, and appearance items due to wear or exposure to weather, road conditions, road treatments, etc.
- B. Any damage or defect due to accident, misuse, abuse, improper or unauthorized repairs, failure to provide reasonable and necessary maintenance, or uses for which the equipment was not designed or intended.
- C. Alterations or modifications that affect performance, operation or reliability.
- D. Normal maintenance parts including, but not limited to, wear pads, bushings, wire rope, mud flaps, fenderettes, light bulbs, hydraulic oil, filters, and tow sling belts.

**IT IS EXPRESSLY UNDERSTOOD THAT MILLER MAKES NO IMPLIED WARRANTY THAT MILLER PRODUCTS SHALL BE FIT FOR THE PURPOSE OF LIFTING OR MOVING PEOPLE OR FOR ANY OTHER IMPROPER USE.**



Miller Industries Towing Equipment Inc.  
8503 Hilltop Drive  
Ooltewah, Tennessee 37363  
Telephone (423) 238-4171

**SERIAL NUMBER**

## **OWNER, USER AND OPERATOR:**

We appreciate your choice of our towing and recovery unit for your application. Our number one priority is user safety which is best achieved by our joint efforts. We feel that you can make a major contribution to safety if you, as the equipment owner and operator:

- 1. Comply with Federal, State, and Local Regulations.**
- 2. Read, Understand, and Follow the Instructions in this Manual.**
- 3. Use Good, Safe Work Practices in a Common Sense Way.**
- 4. Only have Authorized and Trained Personnel performing maintenance on the Towing and Recovery Unit.**

# TABLE OF CONTENTS

It is assumed by the manufacturer that the Owner/Operator has a thorough knowledge of the accepted and lawful retrieval and towing methods as dictated by his city, county or state. The manufacturer rejects any liability claim that may result from the incorrect or unlawful application of its equipment.

## Section I - PARTS

SUBFRAME ASSEMBLY .....	I-2 & I-3
BODY ASSEMBLY .....	I-4 & I-5
2- STAGE BOOM ASSEMBLY .....	I-6 thru I-9
3- STAGE BOOM ASSEMBLY .....	I-10 thru I-13
UNDERLIFT ASSEMBLY .....	I-14 & I-15
BOOM LIFT HYDRAULICS .....	I-16 & I-17
BOOM EXTEND HYDRAULICS .....	I-18 & I-19
UNDERLIFT EXTEND HYDRAULICS .....	I-20 & I-21
UNDERLIFT TILT HYDRAULICS .....	I-22 & I-23
PUMP, VALVE & FILTER HYDRAULICS .....	I-24 & I-25
SPADE HYDRAULICS .....	I-26 & I-27
DUAL CONTROL ASSEMBLY .....	I-28 & I-29
PARTS LIST V-100 2- STAGE BOOM W/ STD STINGER .....	I-30 thru I-40
PARTS LIST V-100 3- STAGE BOOM W/ STD STINGER .....	I-41 thru I-52

## **Section I - PARTS**

This Section is provided by the manufacturer for the purpose of ordering any component part of the **Vulcan V-100** that may be required when part replacement is necessary. Be certain to use only original equipment replacement parts for warranty purposes as well as for keeping your unit in its original state and optimum operating capacities.

When ordering replacement or spare parts be sure to provide the following information to the manufacturer's **Parts Department**.

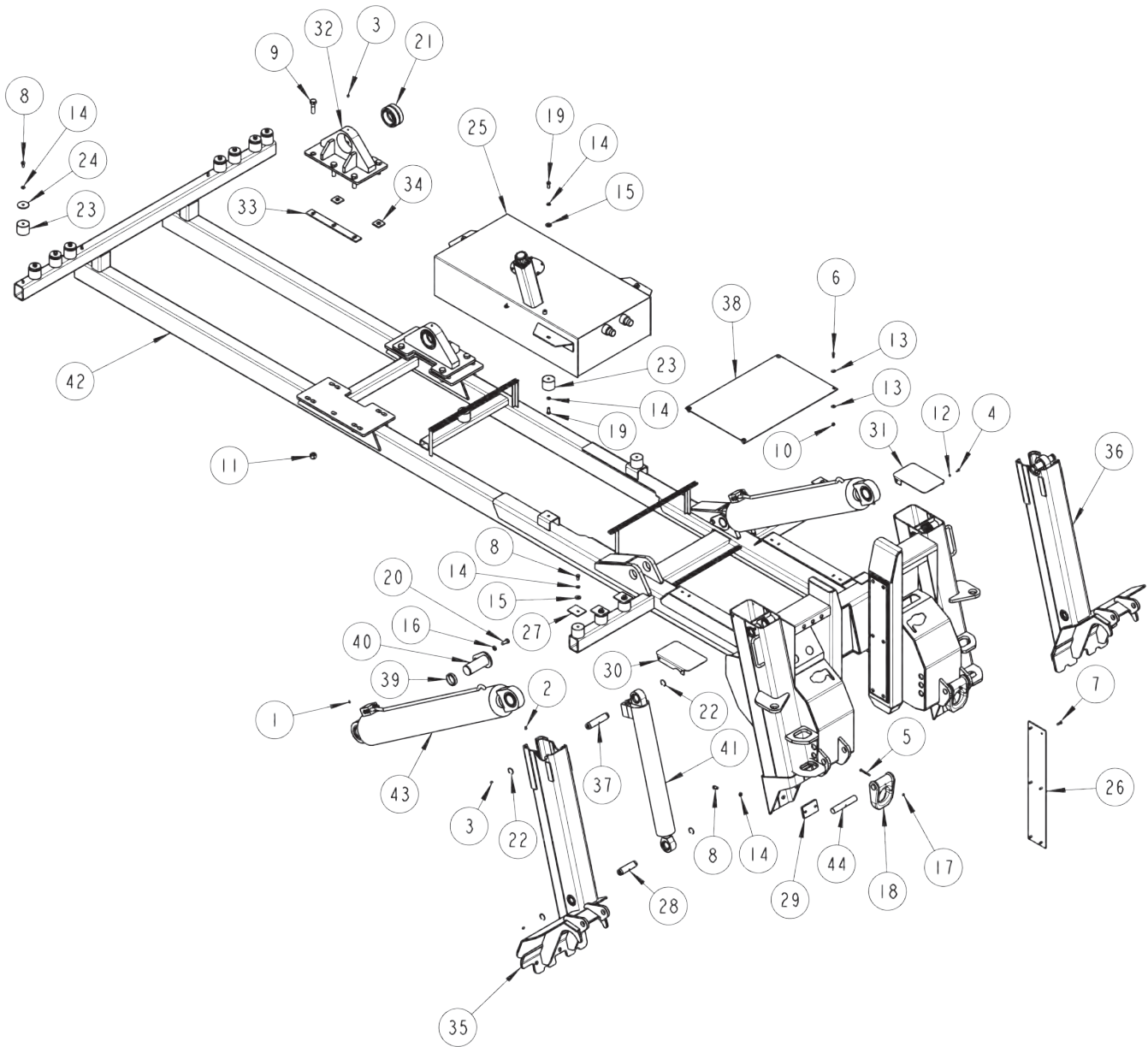
1. **Manual Number & Date of Publication**
2. **Manual Page Number**
3. **Page Title**
4. **Reference Number of Part Desired**
5. **Part Number**
6. **Part Description**
7. **Quantity of Part Desired**

Providing this information will help ensure that the correct parts will be delivered to you in an expedient manner without delay. Should additional information be required for repair or replacement of certain components, contact your Wrecker Manufacturer Authorized Representative.

The Manufacturer reserves the right, without notice or obligation, to improve or modify their products, which may change the specifications, models and feature availability.

# Section I - PARTS (cont'd)

## SUBFRAME ASSEMBLY





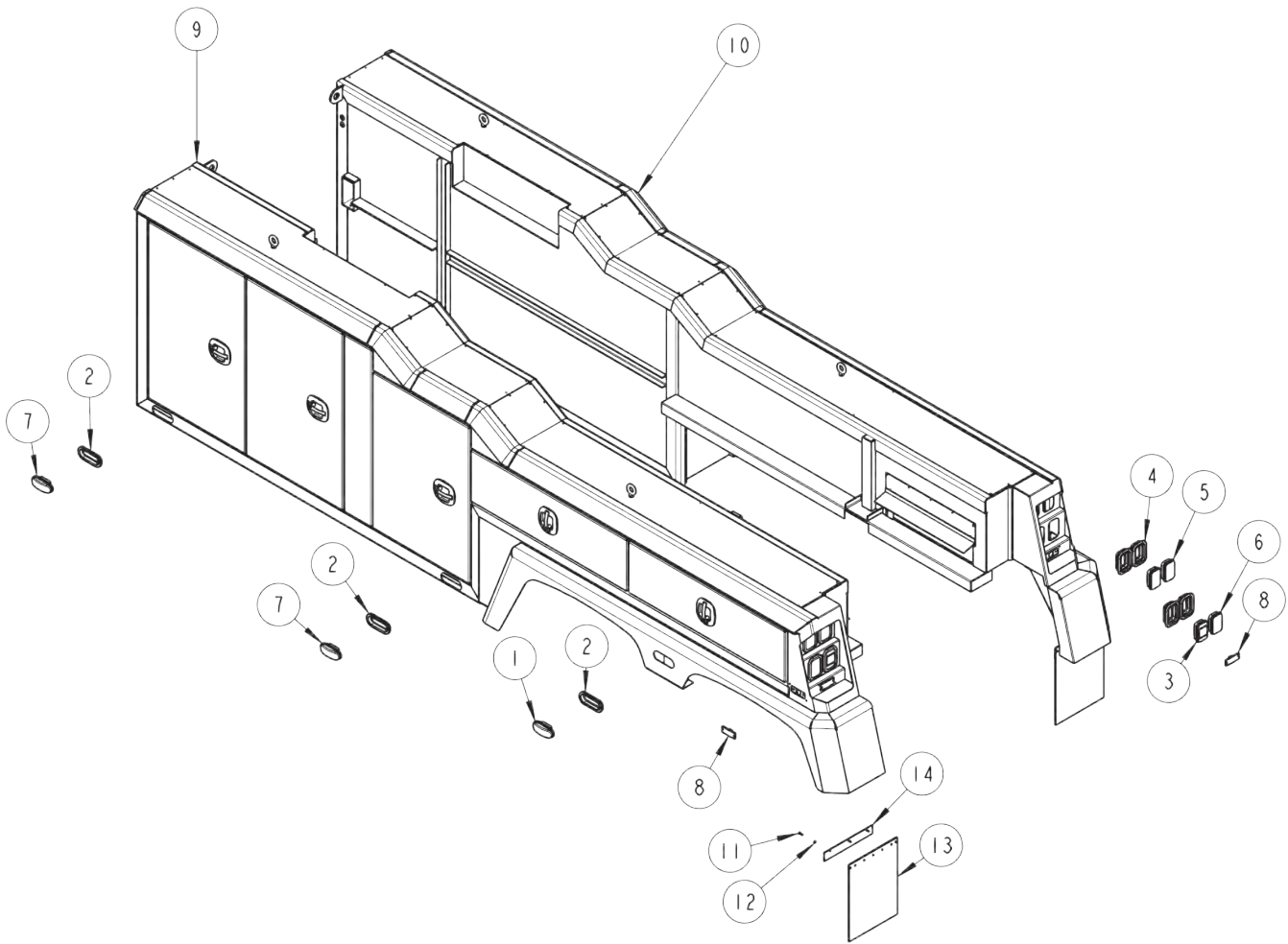
## Section I - PARTS (cont'd)

### SUBFRAME ASSEMBLY

ITEM	PART NUMBER	DESCRIPTION	QTY
1	0300113	GREASE FITTING, 1/4-28 STRAIGHT	2
2	0301397	GREASE FITTING, 90 DEG	2
3	0301895	GREASE FITTING, 1/8 NPT STRAIGHT	6
4	0400066	1/4-20 X 3/4 HHCS GR.5,ZP	6
5	0400114	5/16-18 X 3 HHCS GR 5 ZP	2
6	0400126	3/8-16 X 1 HHCS GR.5,ZP	4
7	0400128	3/8-16X1.25 FLAT HD SOC	12
8	0400176	1/2-13 X 1 HHCS GR.5,ZP	16
9	0400306	7/8-9 X 3 HHCS GR. 8 GOLD	10
10	0400392	3/8-16 NYLOCK HEX NUT ZP	4
11	0400437	7/8-9 NYLOCK HEX NUT GR.8 ZP	10
12	0400452	1/4 HELICAL LOCK WASHER ZP	6
13	0400480	3/8 FLAT WASHER ZP	8
14	0400491	1/2 HELICAL LOCK WASHER ZP	22
15	0400492	1/2 FLAT WASHER ZP	9
16	0400508	5/8 HELICAL LOCK WASHER ZP	2
17	0400776	5/16-18 HEX NUT JAM NYLOK	2
18	0719585	"D" RING - TOWING	2
19	9041402	1/2-13NC X 1 1/4 HHCS, ZP,GR.8	6
20	9043950	5/8-11X1-1/2	2
21	9053041	BEARING, SPHERICAL TORRIN	2
22	9054150	SNAP RING, 1-1/4" NOM INTERNAL	8
23	9402970	TOOLBOX MTG. PAD	17
24	94310004	1/2 LARGE OD WASHER	8
25	915780000	HYDRAULIC TANK ASSY	1
26	920051108	NYLATRON GUIDE PAD	2
27	920400003	TBD	6
28	920900007	PIN, LOWER STIFFLEG CYLINDER	2
29	930020001	SPACER PLATE STIFFLEG S	1
30	930020002	LH STIFFLEG COVER PLATE	1
31	930020003	RH STIFFLEG COVER PLATE	1
32	930202500	PIVOT BLOCK WELD'T	2
33	930202504	TIE PLATE	2
34	930202505	WASHER PLATE	4
35	930220000	LH INNER STIFFLEG WELD'T	1
36	930227000	RH INNER STIFFLEG WELD'T	1
37	930350001	PIN, UPPER STIFFLEG	2
38	930400009	PLATE- BOTTOM	1
39	945020001	WASHER PLATE, LOWER LIFT CYLINDER	2
40	945351500	PIN WELDMENT - LOWER LIFT CYL	2
41	945720000	STIFF LEG CYLINDER	2
42	946210000	SUBFRAME WELD'T	1
43	946700000	CYLINDER ASSEMBLY	2
44	GA0215	PIN, D RING	2

# Section I - PARTS (cont'd)

## BODY ASSEMBLY





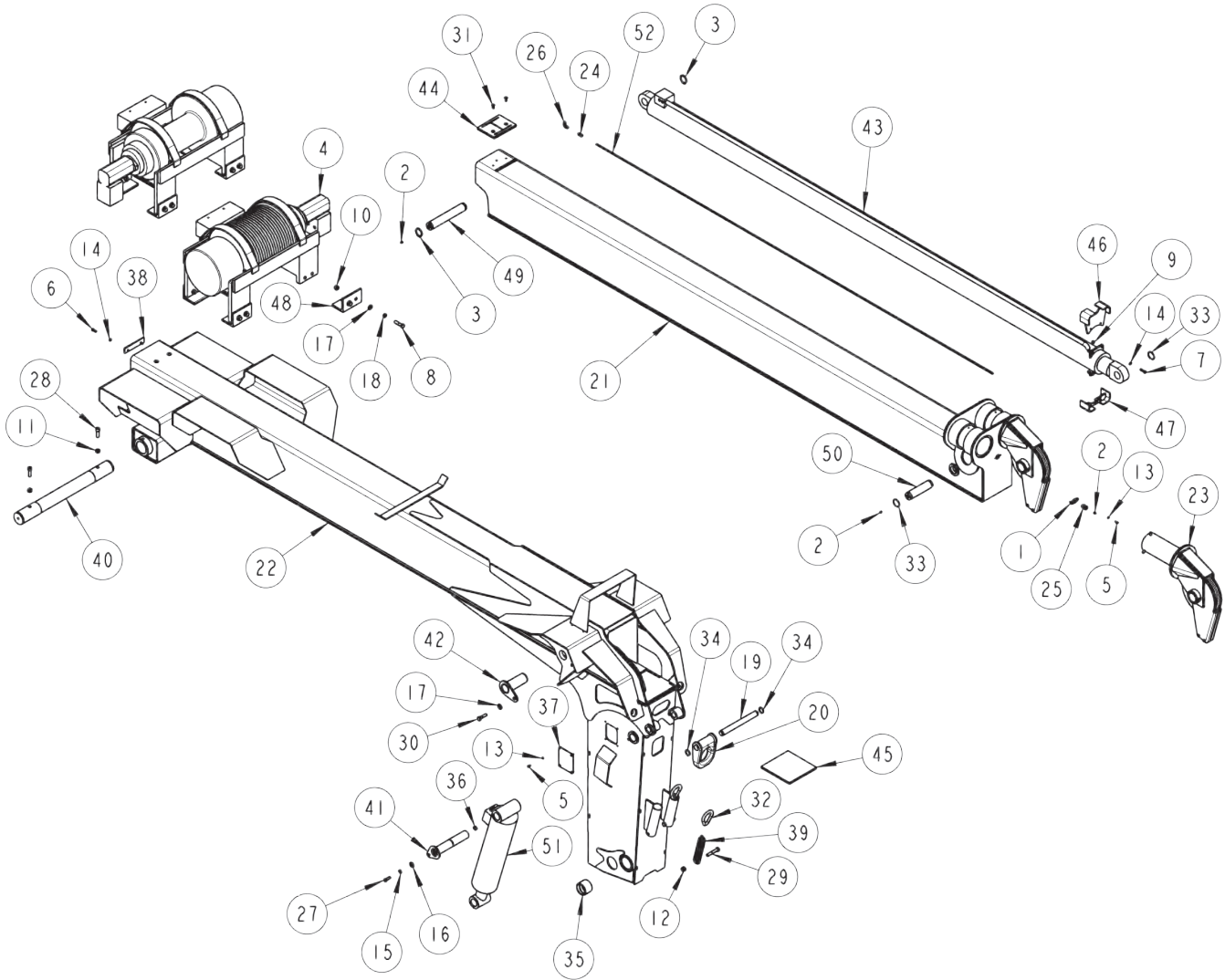
# Section I - PARTS (cont'd)

## BODY ASSEMBLY

ITEM	PART NUMBER	DESCRIPTION	QTY
1	0303124	LIGHT, BACKUP	1
2	0303128	GROMMET, TAIL LIGHT	5
3	0306684	LIGHT, BACKUP	2
4	0306685	GROMMET, LED LIGHT 45 STT	8
5	0307215	LED LIGHT, RED 45 STT	4
6	0307216	LED LIGHT, AMBER 45 REAR TURN	2
7	0307220	LIGHT OVAL AMBER 60 LED	4
8	0307538	LIGHT, MARKER - RED 4.5 X 1.63	4
9	0311016	2010 VULCAN AL. BODY 180CB	1
10	0311017	2010 VULCAN AL. BODY 180CB	1
11	0400070	1/4-20 X 1 HHCS GR5 ZP	6
12	0400451	1/4 FLAT WASHER ZP	6
13	94320052	MUDFLAP	2
14	920400005	MUD FLAP BRACE PLATE	2

# Section I - PARTS (cont'd)

## 2-STAGE BOOM ASSEMBLY

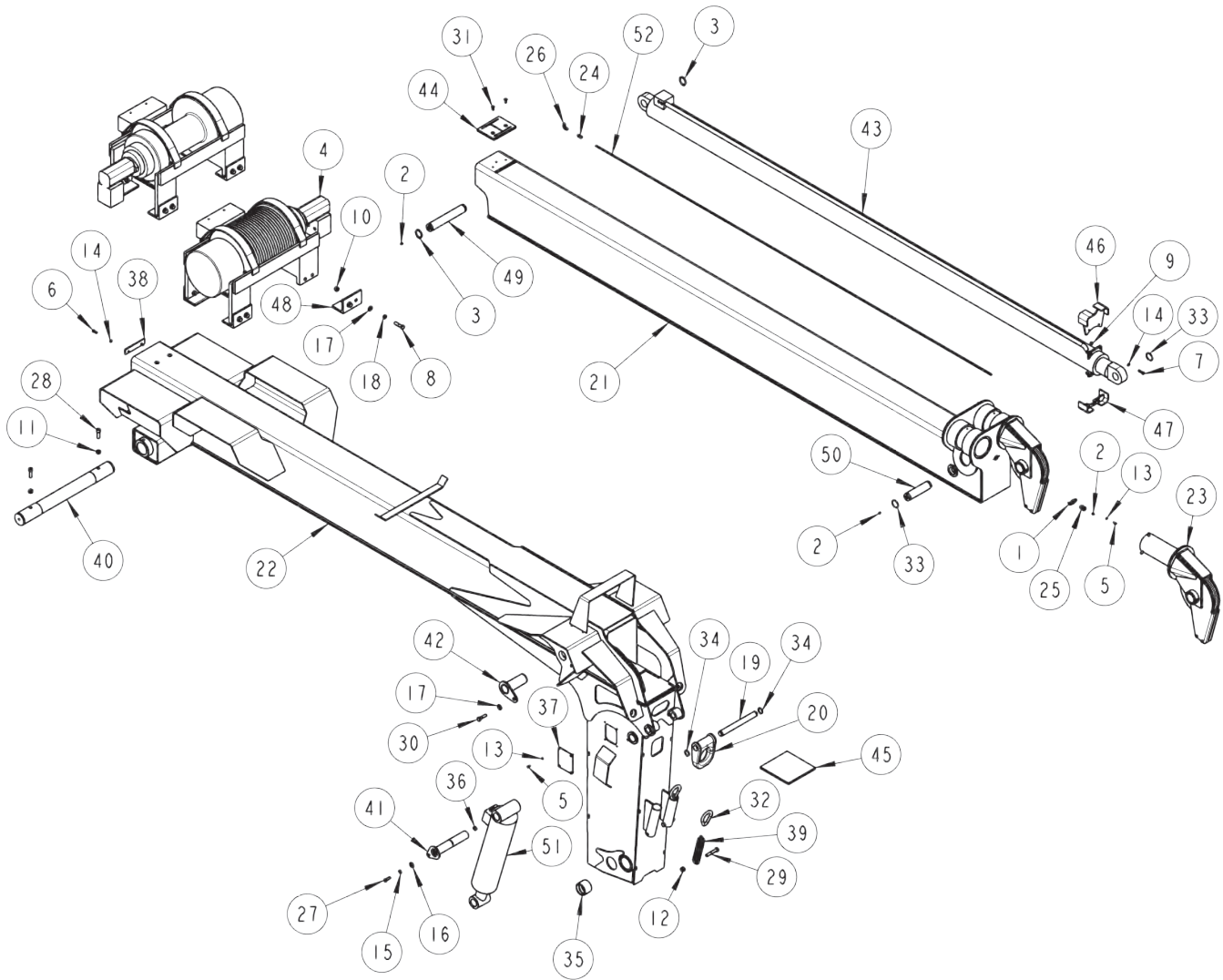


## Section I - PARTS (cont'd)

### 2-STAGE BOOM ASSEMBLY

ITEM	PART NUMBER	DESCRIPTION	QTY
1	3012-793001	PLATE - LUBE MOUNT	1
2	0301895	GREASE FITTING, 1/8 NPT STRAIGHT	3
3	0302776	SNAP RING - EXTERNAL 2"	2
4	0303505	WINCH, DP MODEL S50-50K	1
5	0400059	1/4-20 X 5/8 HHCS GR 5 ZP	10
6	0400126	3/8-16 X 1 HHCS GR.5,ZP	2
7	0400132	3/8-16 X 1 1/2 HHCS GR.5,ZP	4
8	0400262	5/8-11 X 2 1/2 HHCS GR.8,ZP	16
9	0400392	3/8-16 NYLOCK HEX NUT ZP	4
10	0400421	5/8-11 NYLOCK HEX NUT ZP	16
11	0400424	5/8-18 HEX NUT ZP	2
12	0400426	5/8-11 NYLOCK NUT GR.8 ZP	2
13	0400452	1/4 HELICAL LOCK WASHER ZP	10
14	0400482	3/8 HELICAL LOCK WASHER ZP	6
15	0400491	1/2 HELICAL LOCK WASHER ZP	1
16	0400492	1/2 FLAT WASHER ZP	1
17	0400505	5/8 FLAT WASHER SAE	18
18	0400508	5/8 HELICAL LOCK WASHER ZP	16
19	0715517	PIN - "D" RING OUTER BOOM WELDMENT	1
20	0719585	"D" RING - TOWING	1
21	0806863	INNER BOOM WELD'T	1
22	0807942	OUTER RECOVERY BOOM WELD'T ~ V-100	1
23	0908424	SWIVEL ASSEMBLY	2
24	9012549	CONNECTOR, 3/8 TUBE X 1/8 NPT	2
25	9012552	BULKHEAD COUPLING, 1/8	1
26	9012584	ELBOW, 1/4 NPT X 3/8 TUBE 90	1

**Section I - PARTS (cont'd)**  
**2-STAGE BOOM ASSEMBLY (cont'd)**



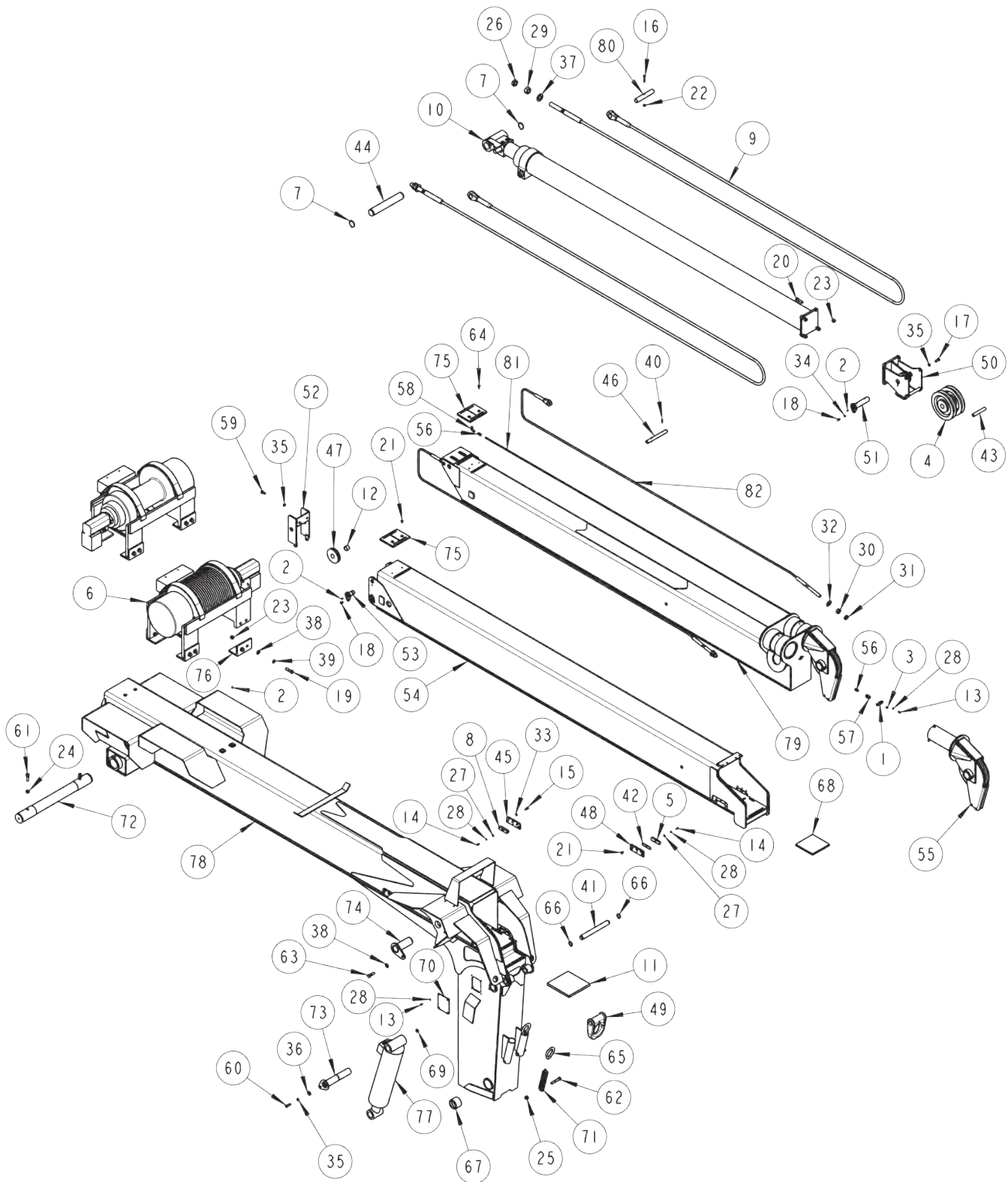
## Section I - PARTS (cont'd)

### 2-STAGE BOOM ASSEMBLY (cont'd)

ITEM	PART NUMBER	DESCRIPTION	QTY
27	9041403	1/2-13 X 1-1/2 HHCS GR 8 ZP	1
28	9043605	SCREW, 5/8"-11 X 4-1/2" SKT HD CAP	2
29	9043975	5/8-11 X 3-1/2 UNC HHCS GR 8	2
30	9044409	5/8-11 X 2-1/4 HHCS GR8 ZP	2
31	9044434	3/8-16X1 NC FLAT	2
32	9048800	5/8 WELDLESS CHAIN LINK	2
33	9054200	INTERNAL RETAINING RING 2H	2
34	9056137	SNAP RING, 2-1/4"	2
35	9400004	BRONZE BUSHING	2
36	920255003	SPACER - LOCK PIN WELD'T	1
37	930290002	COVER PLATE	2
38	945030001	PAD RETAINING PLATE	1
39	945030007	SPRING - HOSE TENSIONER	2
40	945350001	PIVOT PIN, MAIN BOOM TO SUBFRAME	1
41	945350500	PIN WELD'T-TILT CLY UPPER	1
42	945351500	PIN WELDMENT - LOWER LIFT CYL	2
43	945710000	RECOVERY BOOM EXTENSION CYLINDER	1
44	946030004	UPPER WEAR PAD - RECOVERY	1
45	946030005	LOWER WEAR PAD-RECOVERY	1
46	946032000	TOP SPIDER CLAMP WELDMENT	1
47	946032500	BOTTOM SPIDER CLAMP WELDMENT	1
48	946041001	HR ANGLE	8
49	946350001	PIN MAIN BOOM EXT CYL FRONT	1
50	946350002	PIN-MAIN BOOM EXT	1
51	946750000	TILT CYLINDER	1
52	0301949	3/8" OD AIRLINE, SYNDFLEX	1

# Section I - PARTS (cont'd)

## 3-STAGE BOOM ASSEMBLY





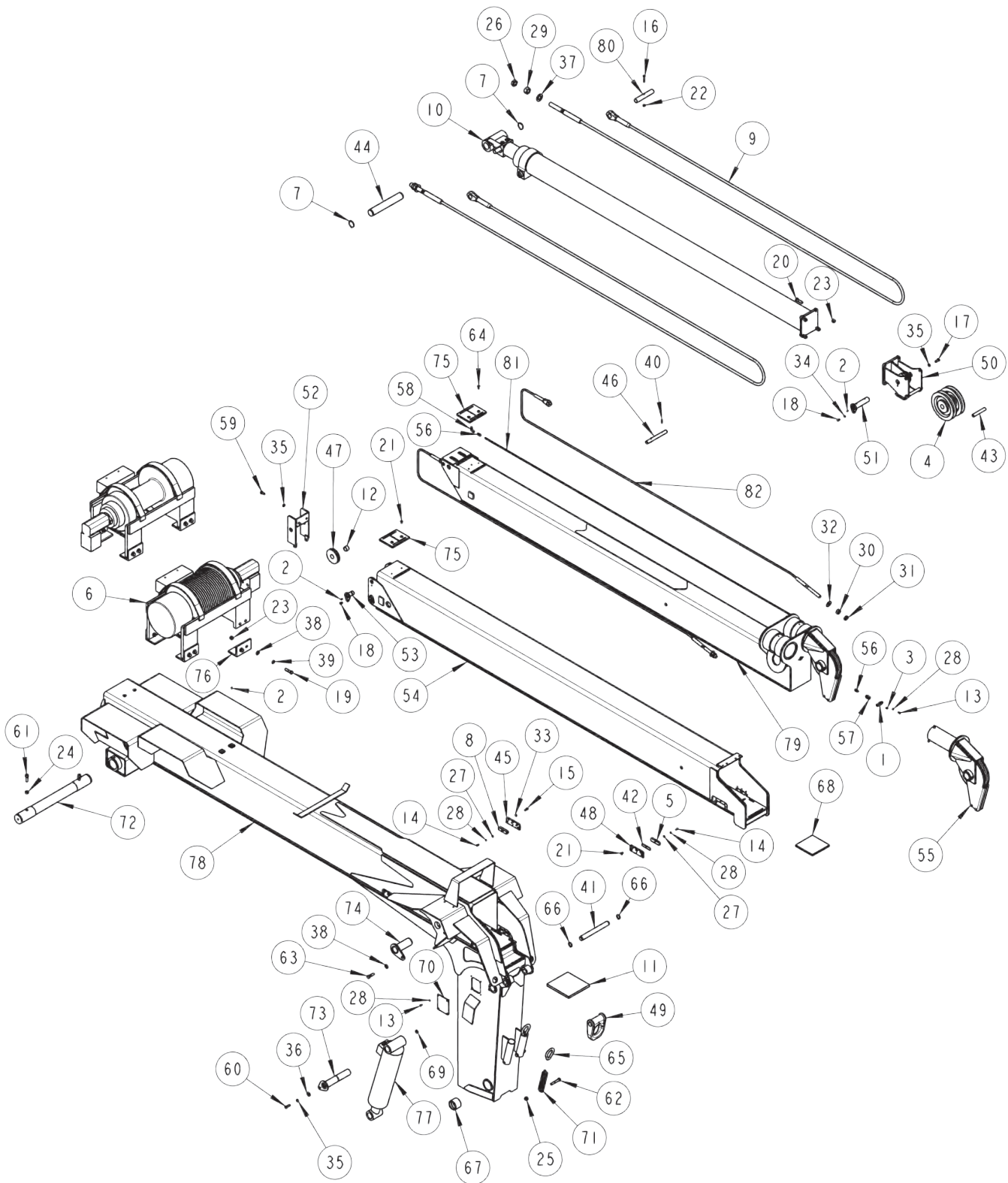
## Section I - PARTS (cont'd)

### 3-STAGE BOOM ASSEMBLY

ITEM	PART NUMBER	DESCRIPTION	QTY
1	3012-793001	PLATE - LUBE MOUNT	1
2	0300113	GREASE FITTING, 1/4-28 STRAIGHT	8
3	0301895	GREASE FITTING, 1/8 NPT STRAIGHT	1
4	0303441	SHEAVE, 10"	2
5	0303490	WEAR PAD (1/2 X 1 X 4)	2
6	0303505	WINCH, DP MODEL S50-50K	1
7	0305023	SNAP RING 5100-0225PP	2
8	0306825	PAD - WEAR	4
9	0307160_	CABLE - EXT ASSY 3-STAGE BOOM	2
10	0307402	CYLINDER - BOOM EXTEND	1
11	0307406	SLIDE PAD	1
12	0307432	BUSHING - BRONZE	4
13	0400059	1/4-20 X 5/8 HHCS GR 5 ZP	10
14	0400066	1/4-20 X 3/4 HHCS GR.5,ZP	6
15	0400126	3/8-16 X 1 HHCS GR.5,ZP	20
16	0400146	3/8-16 X 2-1/4 HHCS GR.5 ZP	1
17	0400177	1/2-13 X 1 1/4 HHCS GR. 5, ZP	4
18	0400223	3/8-16 X 3/4 FL. HD. SOCKET SCREW	5
19	0400262	5/8-11 X 2 1/2 HHCS GR.8,ZP	16
20	0400264	5/8-11 X 2-1/4 HHCS GR5 ZP	4
21	0400349	SCREW, 3/8"-16 X 3/4" FL HD SKT	12
22	0400390	3/8-16 HEX JAM NUT W/PELL	1
23	0400421	5/8-11 NYLOCK HEX NUT ZP	20
24	0400424	5/8-18 HEX NUT ZP	2
25	0400426	5/8-11 NYLOCK NUT GR.8 ZP	2
26	0400448	1-1/4-12 HEX JAM NUT	2
27	0400451	1/4 FLAT WASHER ZP	6
28	0400452	1/4 HELICAL LOCK WASHER ZP	16
29	0400461	1-1/4-12 NEX NUT GR8 ZP	2
30	0400471	7/8-14 UNF HEX NUT	2
31	0400472	7/8-14 UNF HEX NUT JAM	2
32	0400473	7/8 FLATWASHER HARDENED	2
33	0400482	3/8 HELICAL LOCK WASHER ZP	22
34	0400483	LOCKWASHER, 3/8" COUNTERSUNK	1
35	0400491	1/2 HELICAL LOCK WASHER ZP	7
36	0400492	1/2 FLAT WASHER ZP	1
37	0400501	WASH - SAE 1 1/4 HARDENED PL	2
38	0400505	5/8 FLAT WASHER SAE	18
39	0400508	5/8 HELICAL LOCK WASHER ZP	16
40	0400587	1/4 X 1-1/2 ROLL PIN ZP	2
41	0715517	PIN - "D" RING OUTER BOOM WELDMENT	1

# Section I - PARTS (cont'd)

## 3-STAGE BOOM ASSEMBLY (cont'd)



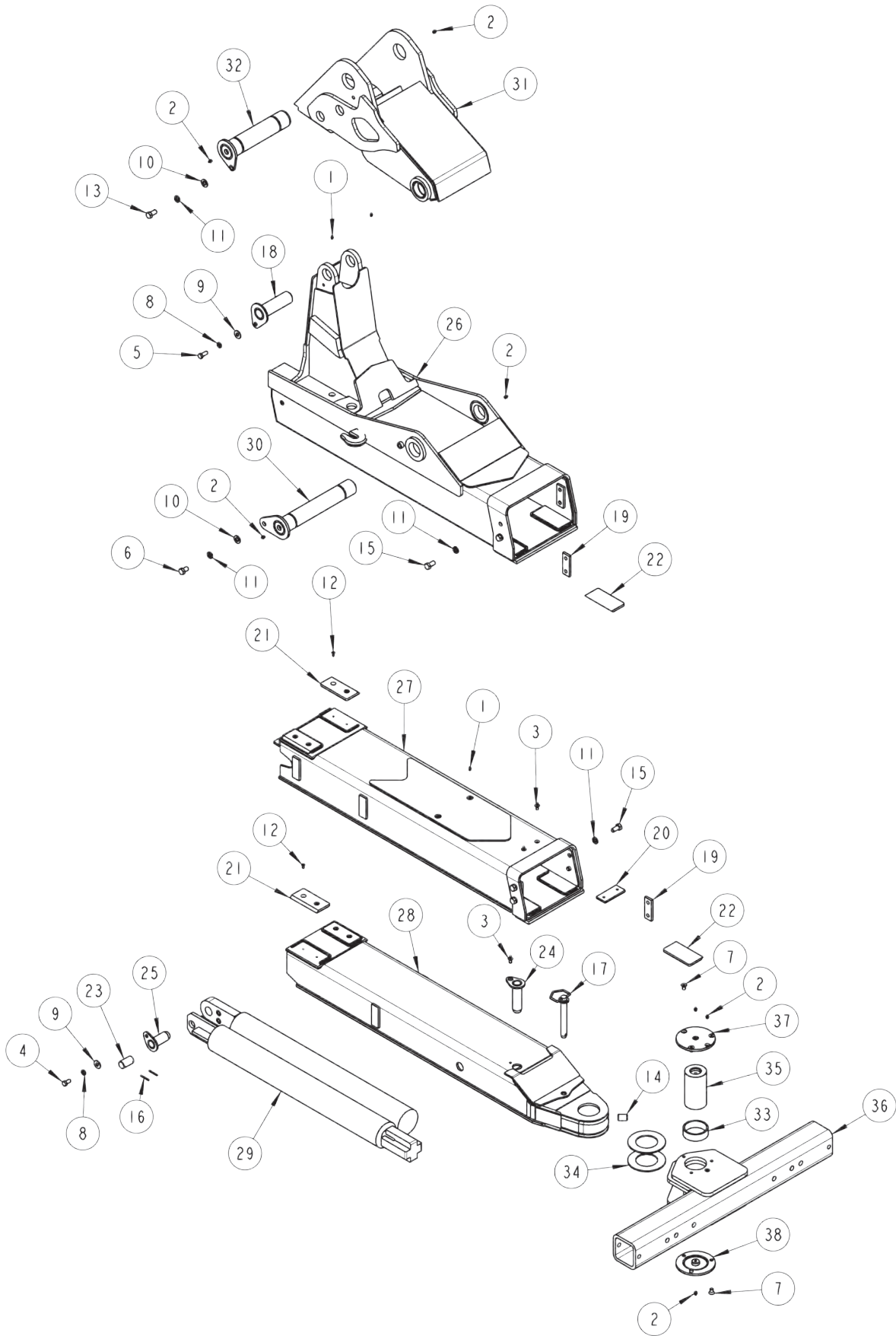
## Section I - PARTS (cont'd)

### 3-STAGE BOOM ASSEMBLY (cont'd)

ITEM	PART NUMBER	DESCRIPTION	QTY
42	0717262	SHIM - SLIDE PAD	2
43	0717743	ROD - EXTEND SHEAVE SPACER	2
44	0717744	PIN - EXTEND CYLINDER	1
45	0717746	PLATE - SLIDE PAD SUPPORT	4
46	0717747	PIN - CABLE RETRACT	1
47	0717909	SHEAVE - 5 " DIA RETRACT	4
48	0718134	PLATE - SLIDE PAD SUPPORT	2
49	0719585	"D" RING - TOWING	1
50	0806721	EXTEND SHEAVE BRACKET WELDMENT	1
53	0806752	SHAFT - RETRACT SHEAVE WELDMENT	4
54	0806824	INNER BOOM TUBE WLMT	1
55	0908424	SWIVEL ASSEMBLY	2
56	9012549	CONNECTOR, 3/8 TUBE X 1/8 NPT	2
57	9012552	BULKHEAD COUPLING, 1/8	1
58	9012584	ELBOW, 1/4 NPT X 3/8 TUBE 90	1
59	9041402	1/2-13NC X 1 1/4 HHCS, ZP,GR.8	2
60	9041403	1/2-13 X 1-1/2 HHCS GR 8 ZP	1
61	9043605	SCREW, 5/8"-11 X 4-1/2" SKT HD CAP	2
62	9043975	5/8-11 X 3-1/2 UNC HHCS GR 8	2
63	9044409	5/8-11 X 2-1/4 HHCS GR8 ZP	2
64	9044434	3/8-16X1 NC FLAT	2
65	9048800	5/8 WELDLESS CHAIN LINK	2
66	9056137	SNAP RING, 2-1/4"	2
67	9400004	BRONZE BUSHING	2
68	916040004	WEAR PAD ~ LOWER	1
69	920255003	SPACER - LOCK PIN WELD'T	1
70	930290002	COVER PLATE	2
71	945030007	SPRING - HOSE TENSIONER	2
72	945350001	PIVOT PIN, MAIN BOOM TO SUBFRAME	1
73	945350500	PIN WELD'T-TILT CLY UPPER	1
74	945351500	PIN WELDMENT - LOWER LIFT CYL	2
75	946030004	UPPER WEAR PAD - RECOVERY	2
76	946041001	HR ANGLE	8
77	946750000	TILT CYLINDER	1
78	947250000	OUTER BOOM WLMT (V-100)	1
79	947270000	INNER BOOM TUBE WLMT	1
80	GA0215	PIN, D RING	1
81	0301949	3/8" OD AIRLINE, SYNDFLEX	1
82	0307403	CABLE - EXT. ASSEMBLY 3-STAGE	2

# Section I - PARTS (cont'd)

## UNDERLIFT ASSEMBLY



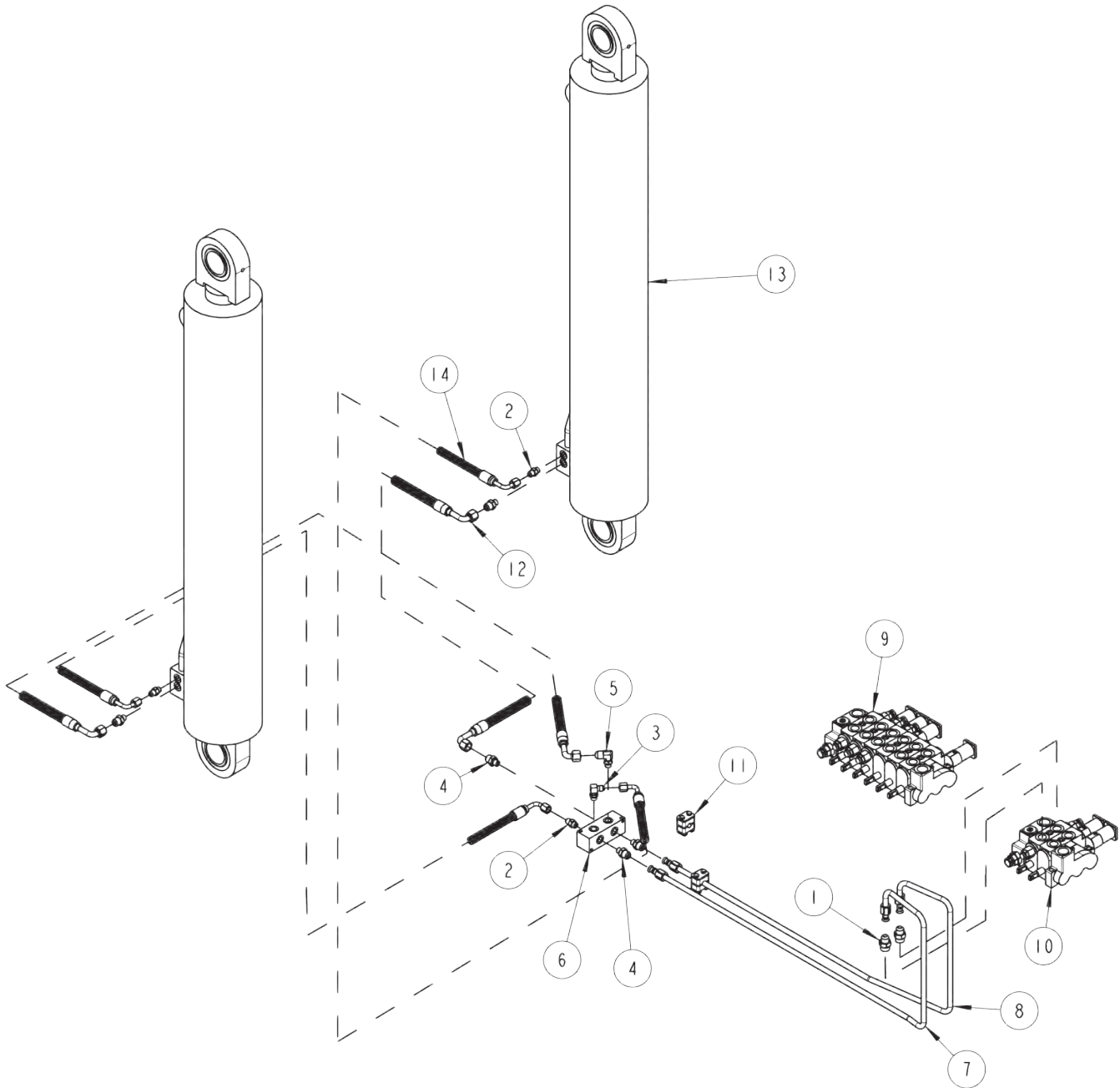
## Section I - PARTS (cont'd)

### UNDERLIFT ASSEMBLY

ITEM	PART NUMBER	DESCRIPTION	QTY
1	0300113	GREASE FITTING, 1/4-28 STRAIGHT	4
2	0301895	GREASE FITTING, 1/8 NPT STRAIGHT	7
3	0400134	3/8-24 X 3/4 FLATHEAD SOCKET SCREW	3
4	0400176	1/2-13 X 1 HHCS GR.5,ZP	1
5	0400177	1/2-13 X 1 1/4 HHCS GR. 5, ZP	1
6	0400248	5/8-11 X HHCS GR 8 ZP	1
7	0400344	1/2-13 X 3/4 FLAT HD SOCKET SCREW	6
8	0400491	1/2 HELICAL LOCK WASHER ZP	2
9	0400492	1/2 FLAT WASHER ZP	2
10	0400505	5/8 FLAT WASHER SAE	2
11	0400508	5/8 HELICAL LOCK WASHER ZP	10
12	0400594	SCREW - 1/4"-20 X 5/8" FL SKT HD	8
13	9040602	5/8-11 X 1-1/4 HHCS GR8 ZP	1
14	9044170	1-8X1-1/2 SOC SET SCREW	1
15	9044471	SCREW, 5/8"-18 X 1-1/4" HEX HD CAP	8
16	9046315	ROLL PIN, 3/16" X 1"	2
17	9046625	7/8X6 1/2 LG HITCH PIN	1
18	924902000	LOWER PIN WELDMENT TILT CYLINDER	1
19	930150001	STOP PAD (FOLDING BOOM)	4
20	930150002	SPACER (1ST STAGE STINGER)	1
21	930150003	TOP PAD	4
22	930150004	BOTTOM PAD	4
23	930150011	PIN CYLINDER 1ST STAGE STINGER	1
24	930151000	REAR PIN WELDMENT	1
25	930152000	FRONT MTG. PIN WELDMENT STINGER	1
26	930160500	FOLDING BOOM WELD'T	1
27	930170500	1ST STAGE STINGER WELD'T	1
28	930180500	2ND STAGE STINGER	1
29	930770500	STINGER EXT. CYLINDER	1
30	930901500	SHAFT WELDMENT, FOLDING BOOM PIVOT	1
31	945300000	PIVOT FOOT WELD'T	1
32	945351000	SHAFT WELDMENT, FOLDING BOOM PIVOT	1
33	945510006	BEARING - ALUMINUM BRONZE	2
34	945510007	THRUST WASHER (.19 THK)	2
35	946350005	PIVOT PIN	1
36	946570500	5" CROSSBAR WELD'T	1
37	946571000	TOP COVER PLATE WELD'T	1
38	946571100	BOTTOM COVER PLATE WELD'T	1

Section I - PARTS (cont'd)

BOOM LIFT HYDRAULICS





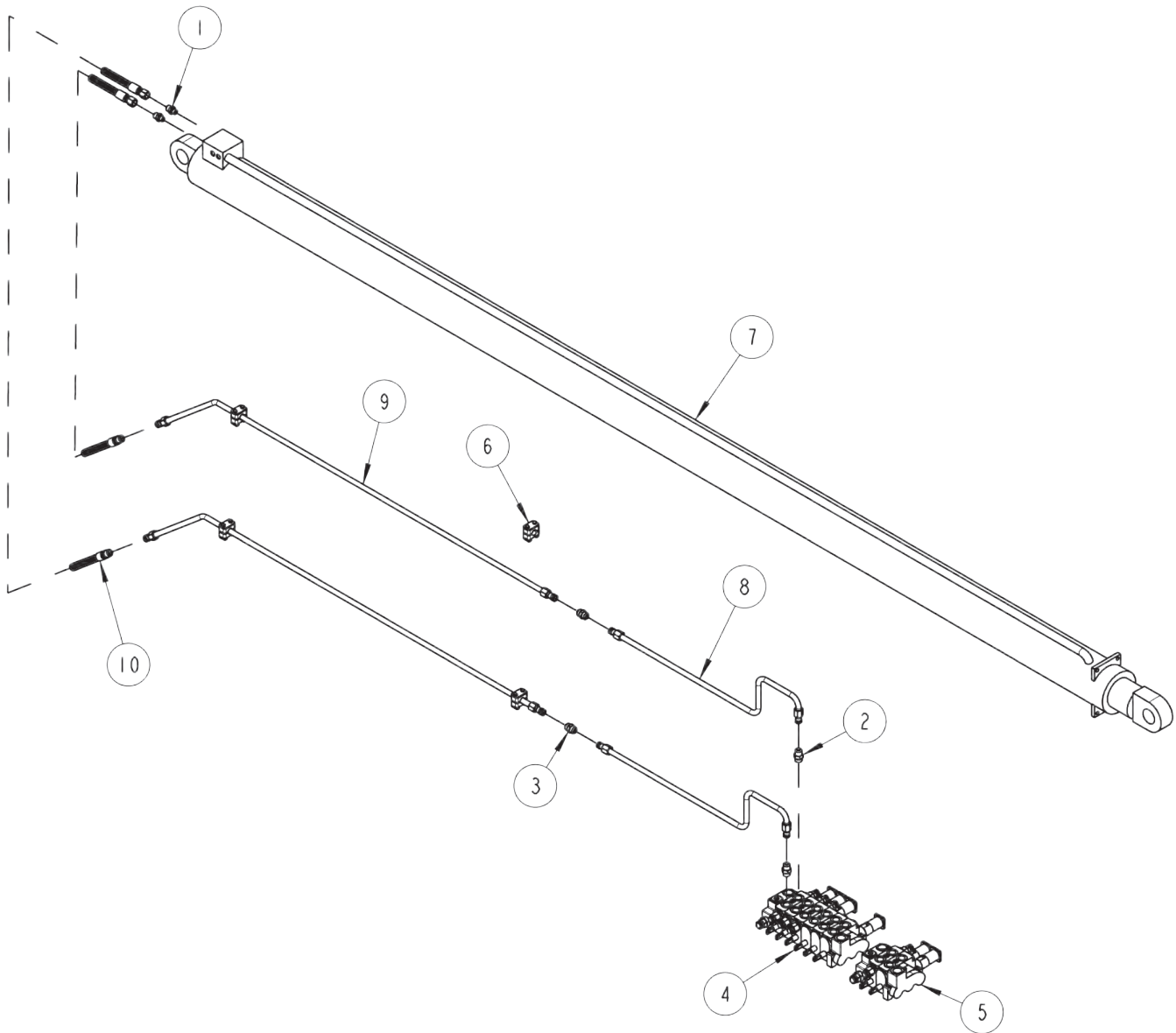
# Section I - PARTS (cont'd)

## BOOM LIFT HYDRAULICS

ITEM	PART NUMBER	DESCRIPTION	QTY
1	0301376	CONNECTOR 8MJX10MB	2
2	0301522	CONNECTOR 6MJ-6MB	3
3	0301620	FITTING, ELBOW, 6MJ-6MB90	1
4	0302275	CONNECTOR 8MJX6MB	5
5	0302276	ELBOW, 8MJ-6MB90	1
6	0306700	MANIFOLD BLOCK	1
7	0310840	HYD TUBE ASSY, BOOM LIFT A PORT	1
8	0310841	HYD TUBE ASSY, MAIN BOOM LIFT PORT B	1
9	9016021	D.C.V. 6-SPOOL	1
10	9016022	D.C.V. 2 SPOOL	1
11	9018255	1/2 TUBE CLAMP FM2127-PP	2
12	915770002	HOSE ASSEMBLY, 12" LG	4
13	946700000	BOOM LIFT CYLINDER, 45/50	2
14	946770001	HOSE ASSEMBLY - MAIN LIFT CYLINDER	4

Section I - PARTS (cont'd)

BOOM EXTEND HYDRAULICS

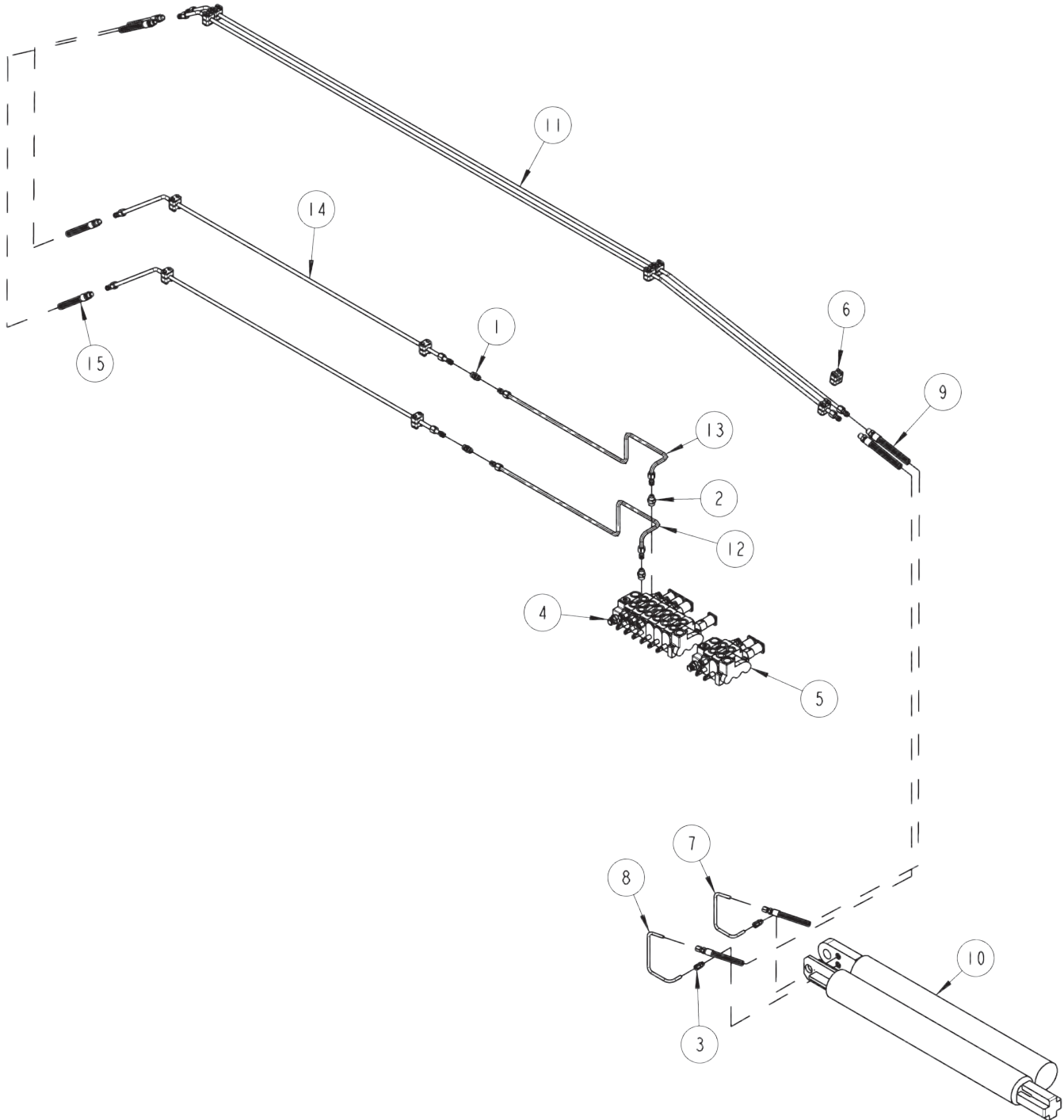


## Section I - PARTS (cont'd)

### BOOM EXTEND HYDRAULICS

ITEM	PART NUMBER	DESCRIPTION	QTY
1	0302275	CONNECTOR 8MJX6MB	2
2	0302827	CONNECTOR 10MJX10MB	2
3	0307003	INLINE ORIFICE	2
4	9016021	D.C.V. 6-SPOOL	1
5	9016022	D.C.V. 2 SPOOL	1
6	9018256	TUBE CLAMP, 3/4"	4
7	945710000	RECOVERY BOOM EXTENSION CYLINDER	1
8	946760003	HYDRAULIC TUBE ASSY. MAIN BOOM EXT.	2
9	946760017	HYDRAULIC TUBE ASSY. 5/8" END SECTION	2
10	946770006	HOSE ASSEMBLY, 30" LG	2

**Section I - PARTS (cont'd)**  
**UNDERLIFT EXTEND HYDRAULICS**



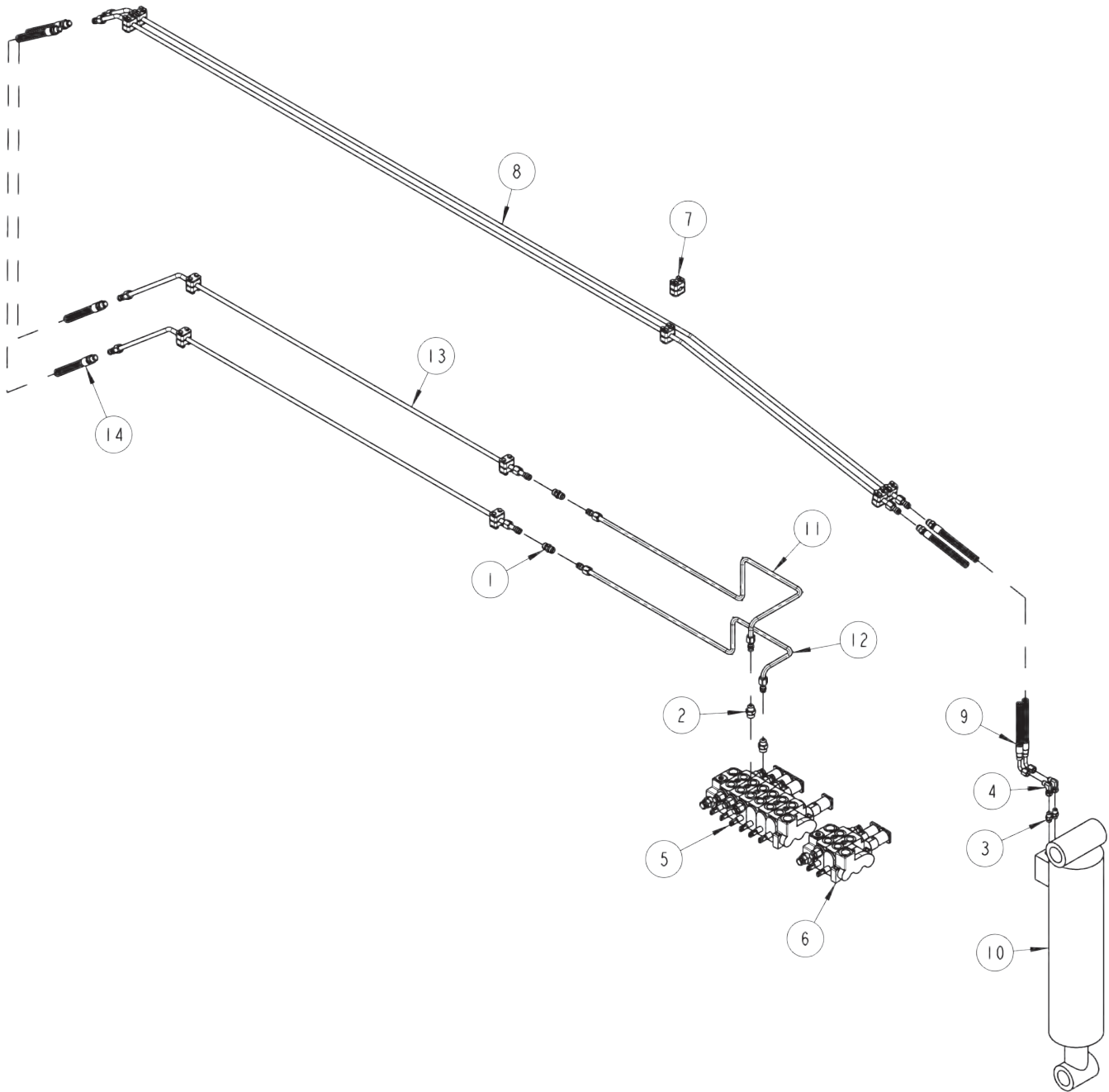
## Section I - PARTS (cont'd)

### UNDERLIFT EXTEND HYDRAULICS

ITEM	PART NUMBER	DESCRIPTION	QTY
1	0300865	ADAPTER, 8MJ-6MJ	2
2	0301376	CONNECTOR 8MJX10MB	2
3	9012510	CONNECTOR, 9/16" SAE X 3/8" TUBE	2
4	9016021	D.C.V. 6-SPOOL	1
5	9016022	D.C.V. 2 SPOOL	1
6	9018255	1/2 TUBE CLAMP FM2127-PP	10
7	915760022	STINGER SUPPLY TUBE	1
8	915760023	STINGER SUPPLY TUBE	1
9	916770001	HOSE ASSEMBLY, 30" LG	2
10	930770500	STINGER EXT. CYLINDER	1
11	945760021	HYD TUBE ASSY. STINGER TILT SUPPLY	2
12	946760004	HYD TUBE ASSY. STINGER EXT. A PORT	1
13	946760005	HYD TUBE ASSY. STINGER EXT. B PORT	1
14	946760018	HYD TUBE ASSY. 1/2" END SECTION	2
15	946770003	HOSE ASSEMBLY, 30" LG	2

Section I - PARTS (cont'd)

UNDERLIFT TILT HYDRAULICS





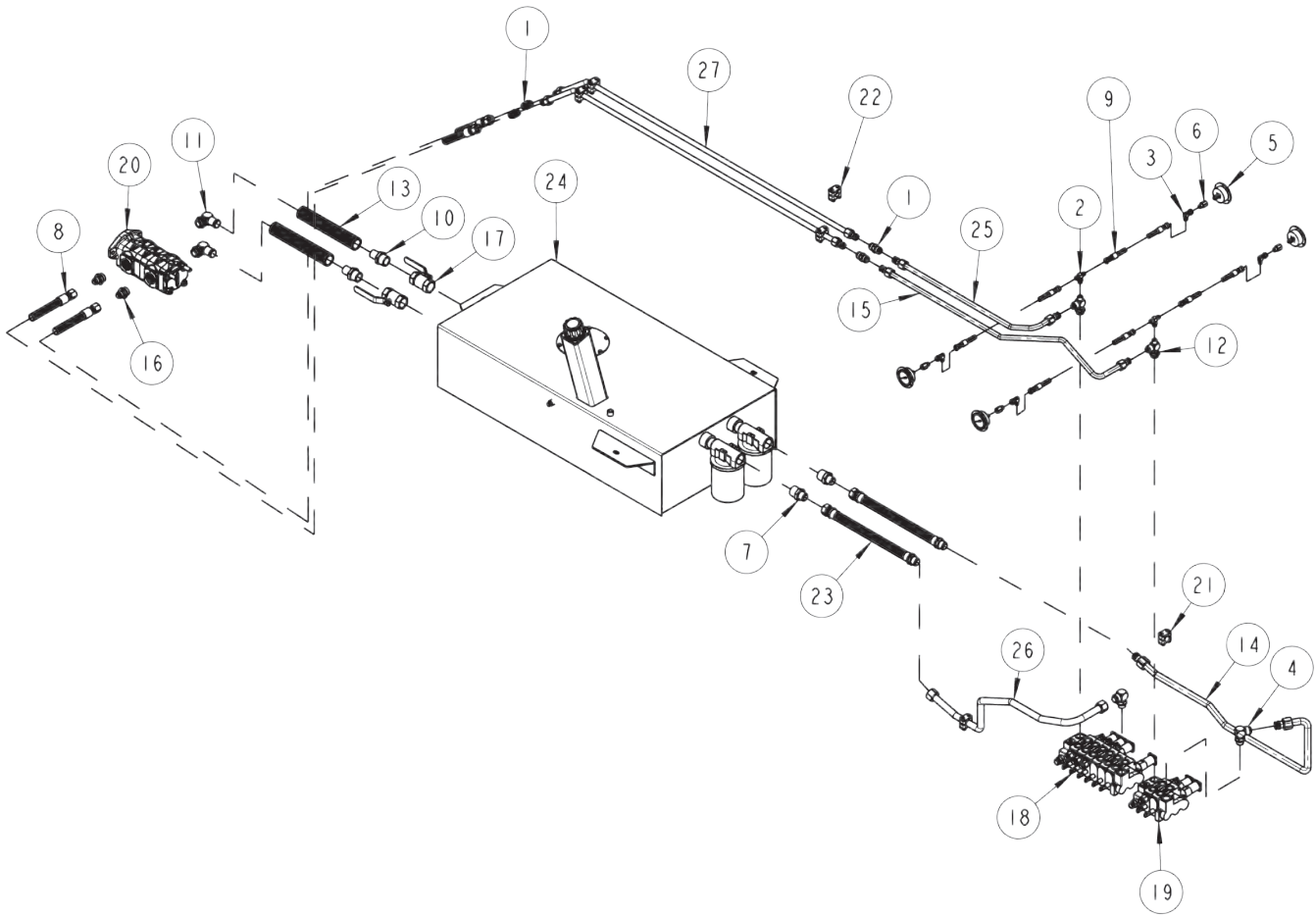
## Section I - PARTS (cont'd)

### UNDERLIFT TILT HYDRAULICS

ITEM	PART NUMBER	DESCRIPTION	QTY
1	0300865	ADAPTER, 8MJ-6MJ	2
2	0301376	CONNECTOR 8MJX10MB	2
3	0301522	CONNECTOR 6MJ-6MB	2
4	0301696	ELBOW, 6MJ-6FJX90	2
5	9016021	D.C.V. 6-SPOOL	1
6	9016022	D.C.V. 2 SPOOL	1
7	9018255	1/2 TUBE CLAMP FM2127-PP	10
8	945760021	HYD TUBE ASSY. STINGER TILT SUPPLY	2
9	945770002	HOSE ASSEMBLY, 12" LG	2
10	946750000	TILT CYLINDER	1
11	946760006	HYD TUBE ASSY. STINGER TILT A PORT	1
12	946760007	HYD TUBE ASSY. STINGER TILT B PORT	1
13	946760018	HYD TUBE ASSY. 1/2" END SECTION	2
14	946770003	HOSE ASSEMBLY, 30" LG	2

# Section I - PARTS (cont'd)

## PUMP, VALVE & FILTER HYDRAULICS



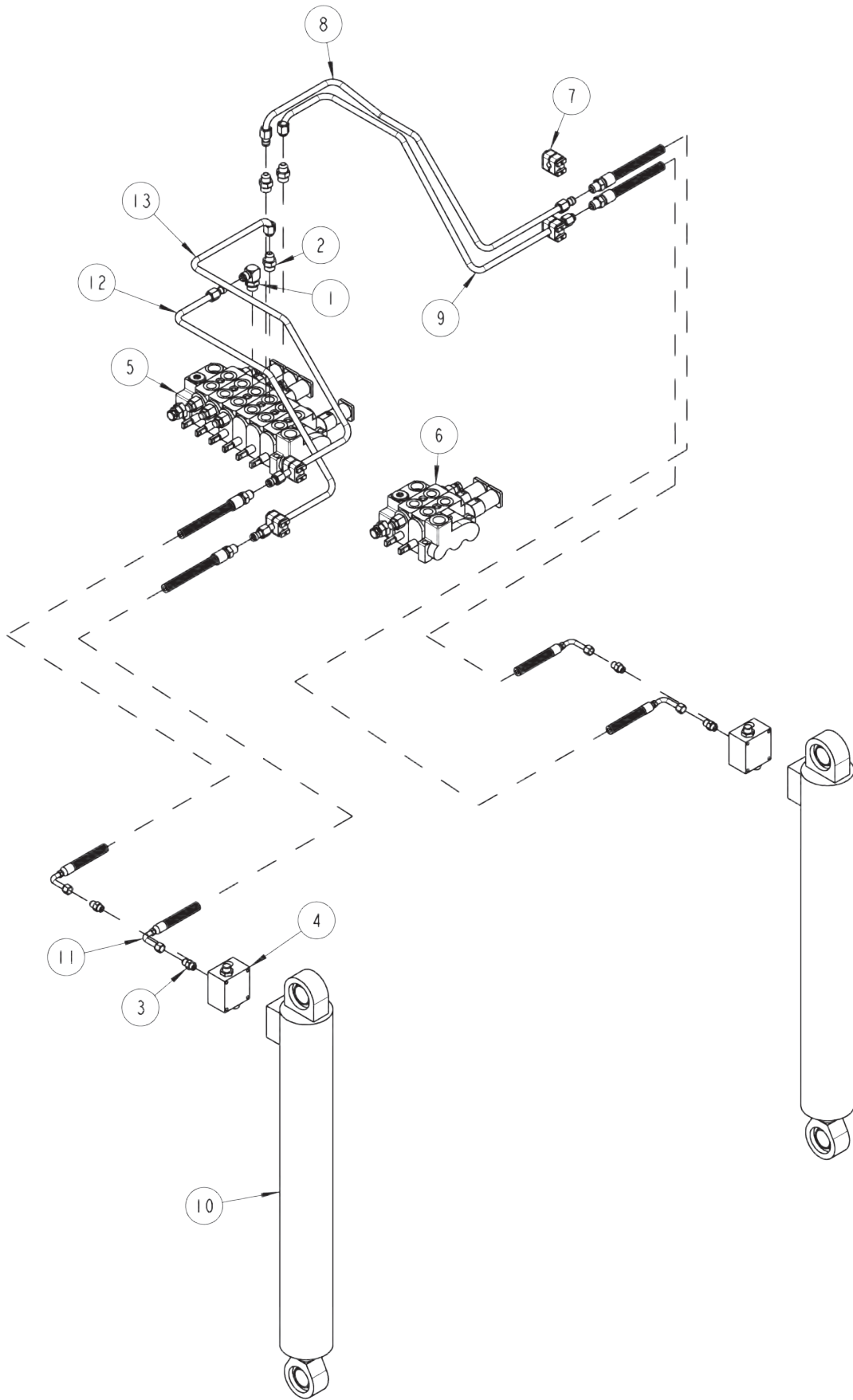
## Section I - PARTS (cont'd)

### PUMP, VALVE & FILTER HYDRAULICS

ITEM	PART NUMBER	DESCRIPTION	QTY
1	0300649	CONNECTOR, 12MJ-12MJ	4
2	0301619	BRANCH TEE, 6MJ-6MJ-6MB	2
3	0301696	ELBOW, 6MJ-6FJX90	4
4	0302083	16MJ - 12MB 90 ELBOW	2
5	0302205	GAUGE, FLUSH MOUNT 6000 PSI	4
6	0302577	CONNECTOR, 6MJ-4FP	4
7	0302696	CONNECTOR, 16MJ-20MP	2
8	0302901	HOSE ASSEMBLY, 120" LG	2
9	0303394	HOSE ASSEMBLY - 46" LG	4
10	0306538	HOSE BARB, 20HOSE-20MP	2
11	0306539	HOSE BARB, 20HOSE-16MB90	2
12	0306984	ELBOW, 12MJ-12MB90	2
13	0310010	SUCTION HOSE, 1-1/2" I.D. 100R4	2
14	0310837	HYD TUBE - RETURN REAR VALVE	1
15	0310839	HYD TUBE ASSY 2 SPOOL VALVE	1
16	9012968	CONNECTOR 8MJX10MB	2
17	9015571	BALL VALVE 1-1/4"	2
18	9016021	D.C.V. 6-SPOOL	1
19	9016022	D.C.V. 2 SPOOL	1
20	9016815	MUNCIE PUMP TSPKS17-17-2B	1
21	9018241	TUBE CLAMP, 1"	2
22	9018256	TUBE CLAMP, 3/4"	4
23	915770017	HOSE_ASSEMBLY	2
24	915780000	HYDRAULIC TANK ASSY	1
25	946760001	HYD TUBE ASSEMBLY	1
26	946760012	HYD TUBE RETURN LINE FRNT VLV BDY	1
27	946760016	HYD TUBE ASSEMBLY	2

Section I - PARTS (cont'd)

SPADE HYDRAULICS



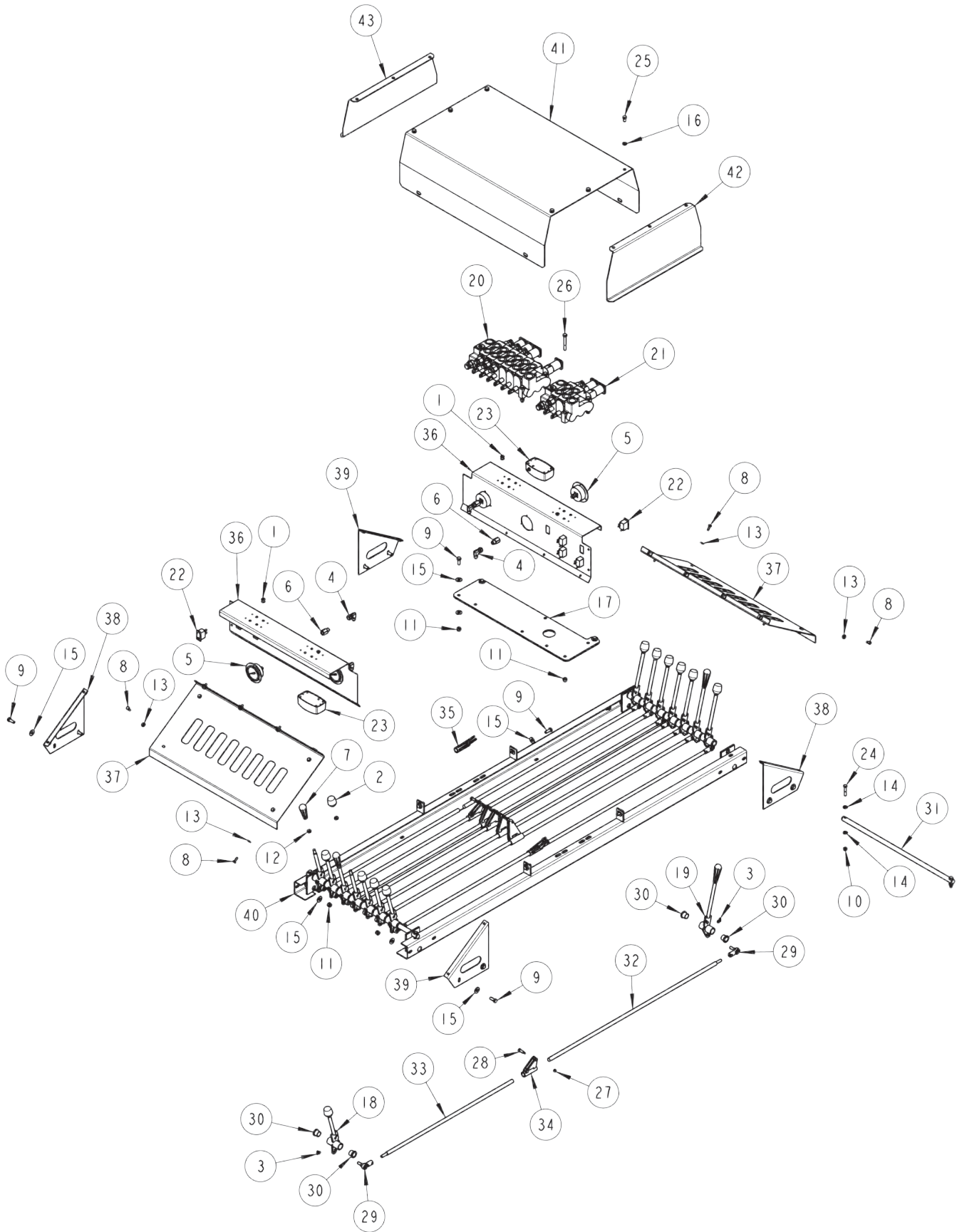
## Section I - PARTS (cont'd)

### SPADE HYDRAULICS

ITEM	PART NUMBER	DESCRIPTION	QTY
1	0300052	ELBOW, 8MJ-10MB90	1
2	0301376	CONNECTOR 8MJX10MB	3
3	0301522	CONNECTOR 6MJ-6MB	4
4	9015738	HOLDING VALVE	2
5	9016021	D.C.V. 6-SPOOL	1
6	9016022	D.C.V. 2 SPOOL	1
7	9018255	1/2 TUBE CLAMP FM2127-PP	4
8	930760010	HYDRAULIC TUBE ASSEMBLY	1
9	930760011	HYDRAULIC TUBE ASSEMBLY	1
10	945720000	STIFF LEG CYLINDER - 45	2
11	945770003	HOSE ASSEMBLY - STIFFLEG CYLINDER	4
12	946760008	HYDRAULIC TUBE ASSEMBLY	1
13	946760009	HYDRAULIC TUBE ASSEMBLY	1

Section I - PARTS (cont'd)

DUAL CONTROL ASSEMBLY



## Section I - PARTS (cont'd)

### DUAL CONTROL ASSEMBLY

ITEM	PART NUMBER	DESCRIPTION	QTY
1	0300117	GROMMET RUBBER	4
2	0300341	KNOB, BLACK (BLANK)	12
3	0301397	GREASE FITTING, 90 DEG	16
4	0301696	ELBOW, 6MJ-6FJX90	4
5	0302205	GAUGE, FLUSH MOUNT 6000 PSI	4
6	0302577	CONNECTOR, 6MJ-4FP	4
7	0307604	KNOB - RED LONG	4
8	0400066	1/4-20 X 3/4 HHCS GR.5,ZP	16
9	0400126	3/8-16 X 1 HHCS GR.5,ZP	15
10	0400382	5/16-18 NYLOCK HEX NUT ZP	4
11	0400392	3/8-16 NYLOCK HEX NUT ZP	17
12	0400393	3/8"-16 HEX JAM NUT	16
13	0400451	1/4 FLAT WASHER ZP	16
14	0400463	5/16 FLAT WASHER ZP	8
15	0400480	3/8 FLAT WASHER ZP	26
16	0400482	3/8 HELICAL LOCK WASHER ZP	6
17	0723377	D.C.V. MTG. PLATE	1
18	0806515	CONTROL HANDLE WLMT	8
19	0806531	CONTROL HANDLE WLMT	8
20	9016021	D.C.V. 6-SPOOL	1
21	9016022	D.C.V. 2 SPOOL	1
22	9024041	MCGILL SWITCH	8
23	9025049	INTERIOR COMPARTMENT LIGHT W/SWITCH	4
24	9041108	5/16-18 X 1-3/4 HHCS GR 8 ZP	4
25	9041202	3/8-16 X 5/8 PL GR8	6
26	9041212	3/8-16 X 2-3/4 LG. HHCS GR.8	6
27	9043371	3/8-16 NYLOCK HEX NUT ZP	8
28	9043713	M8 X 20 SOCKET SHOULDER BOLT	8
29	9048513	SPHERICAL ROD END	16
30	9053524	BRONZE BUSHING (.752 X .879 X .750)	32
31	930400001	PIVOT PIN	2
32	930400012	LH CONTROL ROD (SHORT)	8
33	930400013	LH CONTROL ROD (SHORT)	8
34	930402600	SHORT LUG WLMT	5
35	930402700	SHORT LUG WLMT	3
36	942480003	D.C.V. UPPER PANEL	2
37	942480200	D.C.V. LOWER PANEL WELD'T	2
38	942480300	LH MTG ANGLE WELD'T	2
39	942487300	RH MTG ANGLE WELD'T	2
40	946400600	CHANNEL WELD'T	2
41	946402501	TOP PANEL ~ D.C.V. COVER ASSY	1
42	946402600	REAR PANEL WELDMENT	1
43	946402700	FRONT PANEL WELDMENT	1

## Section I - PARTS (cont'd)

### PARTS LIST V-100 2-STAGE W/STD STINGER

ITEM	PART NUMBER	DESCRIPTION	QTY
--	125100200	V-100 2-STG, STD STINGER	
1	0910998	BUA, V-100, STD STINGER	1
2	0911031	SHIP KIT, V-100	1
--	0910998	BUA, V-100, STD STINGER	
3	0910786	STINGER ASSY - STD - 114"	1
4	0911008	SUBFRAME ASSY V-100	1
5	0911011	RECOVERY BOOM INSTALL V100 2-S	1
--	0910786	STINGER ASSY - STD - 114"	
6	0300113	GREASE FITTING,1/4-28 STRAIGHT	4
7	0301895	GREASE FITTING,STR 1/8 PTF	4
8	0303193	BLACK SKUFF JACKET SJ16	19
9	0400134	3/8-24X3/4 FLTHDSKTSCR	3
10	0400176	1/2-13X1 HHCS GR5 ZP	1
11	0400177	1/2-13X1.25 HHCS GR5 ZP	1
12	0400248	5/8-11X1HHCS GR 8 ZP	1
13	0400491	1/2" HCL LKWSHR ZP	2
14	0400492	1/2" FLATWASHER ZP	2
15	0400505	5/8" SAE WASHER	2
16	0400508	5/8" HELICAL LCKWSHR ZP	10
17	0400594	1/4-20X5/8 SOC FLT HD	8
18	0723463	PLATE, PAD RETAINER	1
19	0723476	PLATE, PAD RETAINER	1
20	0724348	PIN, EXT CYL REAR MTG -STINGER	1
21	0807763	1ST STAGE STINGER WELD'T 116"	1
22	0807765	FOLDING BOOM WELD'T 116"	1
23	0810009	2ND STAGE STINGER - 116"	1
24	9012510	CONNECTOR 6SAE MALE-3/8	2
25	9040602	5/8NC X 1 1/4 HHCS GR 8	1
26	9044170	1-8X1-1/2 SOC SET SCREW	1
27	9044471	5/8-18 X 1 1/4 HHCS PL GR8	8
28	9046315	3/16 DIAX1 3/4LG ROLL PI	2
29	9046625	7/8X6 1/2 LG HITCH PIN	1
30	9054150	1 1/2 INT. RET. RING (C	1
31	915760022	HYD.TUBE 3/8 STINGER EX	1
32	915760023	HYD.TUBE 3/8 STINGER EX	1
33	916770001	HOSE- HYD. 3/8 - 105" 8MJ-6MFA	2
34	924902000	LOWER PIN WELD'T	1
35	930150001	STOP PAD (FOLDING BOOM)	4
36	930150002	SPACER (1ST STAGE STINGE	1
37	930150003	TOP PADS	4
38	930150004	BOTTOM PADS	4
39	930150011	PIN (CYL STIFFENER PLATE	1
40	930152000	FRONT MTG. PIN WELD'T	1
41	930770500	TWIN CYL. ARRANGEMENT WELD-ON	1
42	930901500	SHAFT WELD'T - FOLD.BOOM PIVOT	1
43	945300000	PIVOT FOOT WELDMENT	1
44	945351000	SHAFT WELDT-FOLDING BOOM PIVOT	1
45	946750000	TILT CYLINDER 6 DIA	1



## Section I - PARTS (cont'd)

### PARTS LIST V-100 2-STAGE W/STD STINGER (cont'd)

ITEM	PART NUMBER	DESCRIPTION	QTY
--	0911008	SUBFRAME ASSY V-100	
46	0300649	UNION, STRAIGHT 12MJ - 12MJ	2
47	0300865	FITTING, CONNECTOR 8MJ-8MJ	4
48	0301522	FITTING, CONN. 6MJ-6MB	7
49	0301577	1/4 OD PLASTIC AIRLINE, BLACK	222
50	0301620	FITTING, HYD. 6MJ - 6MB90	1
51	0301895	GREASE FITTING,STR 1/8 PTF	6
52	0302275	FITTING, CONN 8MJ-6MB W/STEP	5
53	0302276	FITTING, ELB 90 DEG	1
54	0302696	FITTING, CONNECTOR	2
55	0302726	GREASE FITTING, 1/4-28 X 45DEG	16
56	0303193	BLACK SKUFF JACKET SJ16	75
57	0303394	HOSE HYD, 46"	4
58	0307003	FITT, HYD UNION 10MJ-10MJ	6
59	0311189	HITCH PIN 1/4" DIA.	2
60	0400002	4X1/4 DRIVE SCREW RD HD	4
61	0400066	1/4-20X3/4 HHCS GR5 ZP	6
62	0400109	5/16-18X1 HHCS GR5 ZP	4
63	0400114	5/16-18X3 HHCS GR5 ZP	2
64	0400126	3/8-16X1 HHCS GR5 ZP.	22
65	0400128	3/8-16X1.25 FLAT HD SOC	12
66	0400149	3/8-16 X 5/8 HHCS GR5 ZP	3
67	0400176	1/2-13X1 HHCS GR5 ZP	14
68	0400205	1/2-13X3 HHCS GR5 ZP	1
69	0400306	7/8-9X3HHCS GR 8 GOLD	18
70	0400393	3/8-16 HEX NUT JAM ZP	16
71	0400437	7/8-9 NYLOK HEX GR 8 ZP	18
72	0400452	1/4" HELICAL LCKWASHR ZP	16
73	0400463	5/16" FLATWASHER ZP.	8
74	0400482	3/8" HELICAL LCKWSHR - ZP	3
75	0400491	1/2" HCL LKWSHR ZP	10
76	0400492	1/2" FLATWASHER ZP	6
77	0400508	5/8" HELICAL LCKWSHR ZP	2
78	0400776	5/16-18 HEX NUT JAM NYLOK ZP	2
79	0501420	PLATE - SERIAL/DATA (V-70)	1
80	0719585	D-RING, TOWING	4
81	0724349	PLATE, JACK LEG COVER	2
82	0724499	PIN - UPPER JACK LEG CYL	2
83	0724500	PIN - LOWER JACK LEG CYL	2
84	0807731	SUBFRAME WELD'T, V-70, V-100	1
85	0810005	PIN - FORK RETAINING	2
86	0910705	CONTROL STATION ASSY	1
87	0910757	HYD. TUBE KIT - VULCAN HD	1
88	9012515	1 1/16 -12 37 JIC PLUG	2
89	9012525	9/16 -18 37 JIC MALE PLUG	4
90	9015738	HOLDING VALVE MHB-015-L	2
91	9018241	SINGLE TUBE CLAMP-1	2
92	9018254	5/8 TUBE CLAMP SM2160-PP	12
93	9018255	1/2 TUBE CLAMP FM2127-PP	12
94	9018256	3/4 TUBE CLAMP SM3190-PP	4

## Section I - PARTS (cont'd)

### PARTS LIST V-100 2-STAGE W/STD STINGER (cont'd)

ITEM	PART NUMBER	DESCRIPTION	QTY
--	0911008	SUBFRAME ASSY V-100 (cont'd)	
95	9018271	TRANSITION BLOCK 9E0001	1
96	9041011	1/4 NC X 2 1/2 HHCS PL GR8	8
97	9041402	1/2 NC X 1 1/4 HHCS PLT GR8	5
98	9043950	5/8 NC X 1 1/2 HHCS PL GR 8	2
99	9053041	BEARING-SPHERICAL TORRIN	2
100	9054150	1 1/2 INT. RET. RING (C	8
101	915770002	8AT2(8T90S-8T90S) HCL	2
102	915770017	16R4(16MJ-16FJ) HCL	2
103	915780000	HYD TANK ASSEY 3 POINT M	1
104	930020001	SPACER PLATE STIFFLEG SU	2
105	930202500	PIVOT BLOCK WELD'T	2
106	930202504	TIE PLATE - BOOM PIVOT A	2
107	930202505	WASHER PLATE - BOOM PIVO	4
108	930400009	BOTTOM PLATE - DCV DUAL	1
109	9401418	DIPSTICK WELDMENT HYDR TANK	1
110	9402970	TOOLBOX MTG. PAD	3
111	945000001	LOCK PLATE - SPHERICAL B	2
112	945020001	WASHER PLATE-LOWER LIFT	2
113	945351500	PIN WELD'T LOWER LIFT CY	2
114	945720000	STIFF LEG CYLINDER - 45/	2
115	945770003	6AT2(6T90L-8MJ) 24 HYD	4
116	946402500	COVER ASSEMBLY	1
117	946700000	45/50 BOOM LIFT CYLINDER	2
118	946770001	6AT2(6T90S-6T90S) HCL	2
119	DE1381	1/2 WASHER SAE 17/32 ID	4
120	GA0215	PIN-"D" RING	4
--	0910705	CONTROL STATION ASSY	
121	0300052	FITTING, ELB 8MJ-10MB 90	1
122	0301376	CONNECTOR 8 MJ - 10 MB	9
123	0301619	FITT, 6MJ-6MJ-6MB BRANCH TEE	2
124	0302083	16 MJ - 12 MB 90 ELBOW	2
125	0302827	FITTING, CONNECTOR 10MJ-10MB	5
126	0306984	FITT, HYD ELB 12MB-12MJ90 W/HO	2
127	0400382	5/16-18 NYLOK HEX NUT ZP	8
128	0400387	3/8-24 HEX JAM NUT ZP(DE1206)	32
129	0400392	3/8-16 NYLOK HEX NUT ZINC	40
130	0400480	3/8 FLATWASHER ZP	44
131	0723377	PLATE, DCV MTG. - VULCAN HD	1
132	0907441	CONTROL HANDLE ASSY - SHORT	8
133	0907442	CONTROL HANDLE ASSY - LONG	8
134	9010030	FITT, BRASS ELB 1/4T-1/8MPX	12
135	9016021	VALVE 6 SPOOL 346-9206-018	1
136	9016022	VALVE 2 SPOOL 346-9202-018	1
137	9041108	5/16 NC X 1 3/4 HHCS PL GR8	4
138	9041212	3/8 NC X 2 3/4 HHCS PL GR8	6
139	9043371	6 MM LOCKNUT FOR 9043817	8
140	9043713	M8 X 20 SOC SHOULDER BOL	8
141	9048513	SPHERICAL ROD END REBPJH-	16

## Section I - PARTS (cont'd)

### PARTS LIST V-100 2-STAGE W/STD STINGER (cont'd)

ITEM	PART NUMBER	DESCRIPTION	QTY
--	0910705	CONTROL STATION ASSY	
142	930400001	PIN - CONTROL HANDLE PIV	2
143	930400012	RH CONTROL ROD (LONG) -	8
144	930400013	LH CONTROL ROD (SHORT) -	8
145	930402600	SHORT LUG WELD'T - DUAL	6
146	930402700	LONG LUG WELD'T - DUAL C	2
147	946400600	CHANNEL WELD'T	2
148	GX263	FITTING, ELB 10MJ-10MB90	1
--	0907441	CONTROL HANDLE ASSY - SHORT	
149	0806515	CONTROL HANDLE WELD'T	1
150	9053524	BEARING BR. FLG.752 X .879X.75	2
--	0907442	CONTROL HANDLE ASSY - LONG	
151	0806531	CONTROL HANDLE WELD'T	1
152	9053524	BEARING BR. FLG.752 X .879X.75	2
--	0910757	HYD. TUBE KIT - VULCAN HD	
153	0310837	HYD TUBE ASSY, RETURN - REAR	1
154	0310838	HYD TUBE ASSY, RH WINCH - B	1
155	0310839	HYD TUBE ASSY, REAR PRESSURE	1
156	0310840	HYD TUBE ASSY, BOOM LIFT - A	1
157	0310841	HYD TUBE ASSY, BOOM LIFT - B	1
158	0310842	HYD TUBE ASSY, RH WINCH - A	1
159	930760010	TUBE, HYD 1/2 X 17 15/16 RH ST	1
160	930760011	TUBE, HYD 1/2 X 17 13/16 RH ST	1
161	946760001	TUBE, HYD 3/4 X 30 3/4 FR.VALV	1
162	946760003	TUBE, HYD 5/8 X 32 9/16 MAIN B	2
163	946760004	TUBE, HYD 1/2 X 34 7/16 ST.EXT	1
164	946760005	TUBE, HYD 1/2 X 34 7/16 ST.EXT	1
165	946760006	TUBE, HYD 1/2 X 36 1/16 ST.TIL	1
166	946760007	TUBE, HYD 1/2 X 36 1/16 ST.TIL	1
167	946760008	TUBE, HYD 1/2 LH STIFFLEG	1
168	946760009	TUBE, HYD 1/2 LH STIFFLEG B PO	1
169	946760010	TUBE, HYD 5/8 X 40 11/16 FR.WI	1
170	946760011	TUBE, HYD 5/8 X 40 11/16 FR.WI	1
171	946760012	TUBE, HYD 1" RETURN LINE FR.VA	1
172	946760016	TUBE, HYD 3/4X77 1/4 END SECTI	2
173	946760017	TUBE, HYD 5/8X80 3/8 END SECTI	6
174	946760018	TUBE, HYD 1/2X77 3/8 END SECTI	4
--	915780000	HYD TANK ASSY 3 POINT M	
175	0301611	PIPE, 1-1/4 SCH40 BLK	2
176	0302696	FITTING, CONNECTOR	2
177	0302699	PIPE NIPPLE - 1-1/4 X 2	2
178	0305006	FILLER CAP (GO205,FB194)	1
179	9011014	1/4NPT SOCKET STL PLUG *	1
180	9012913	MAGNETIC PIPE PLUG 3/4NP	1
181	9015571	BALL VALVE - 1 1/4 CV5	2
182	9018139	SUCT.STRAINER LHA SEH-2	2

## Section I - PARTS (cont'd)

### PARTS LIST V-100 2-STAGE W/STD STINGER (cont'd)

ITEM	PART NUMBER	DESCRIPTION	QTY
--	915780000	HYD TANK ASSY 3 POINT M (cont'd)	
183	9018140	OIL FILTER HEAD-LHA SP50NAHN-	2
184	9032122	GASKET, HYD. TANK COVER	1
185	9043477	5/16-18X1 SOC HD CAP SCREW	6
186	915780500	HYDRAULIC TANK WELD'T	1
187	9401408	INSPECT COVER	1
--	946402500	COVER ASSEMBLY	
188	0301851	TRIM-LOCK 150B2X1/8	5
189	9041202	3/8-16 X 5/8 HHCS PL GR8	6
190	9045057	0400482 3/8 BS LOCK WASHER	6
191	946402501	TOP PANNEL - COVER	1
192	946402600	REAR PANEL WELD'T	1
193	946402700	FRONT PANEL WELD'T	1
--	0911011	RECOVERY BOOM INSTALL V100 2-STG	
194	0301577	1/4 OD PLASTIC AIRLINE, BLACK	105
195	0310194	HARNESS, WIRING 2-SPEED	1
196	0400066	1/4-20X3/4 HHCS GR5 ZP	8
197	0400126	3/8-16X1 HHCS GR5 ZP.	4
198	0400132	3/8-16X1.5 HHCS GR5 ZP	6
199	0400392	3/8-16 NYLOK HEX NUT ZINC	12
200	0400424	5/8-18 HEX NUT ZP	2
201	0400426	5/8-11 GR 8 NYLOK NUT YZ PLT	4
202	0400452	1/4" HELICAL LCKWASHR ZP	8
203	0400482	3/8" HELICAL LCKWSHR - ZP	4
204	0400505	5/8" SAE WASHER	2
205	0911034	RECOVERY BOOM ASSY V-100 2-STG	1
206	9018255	1/2 TUBE CLAMP FM2127-PP	12
207	9041058	1/4 X 1 3/4 HHCS GR8	2
208	9043605	5/8-18 X 2 SOC HD CAP	2
209	9043975	H.H.C.SCREW 5/8N.C.X3 1/	2
210	9044409	5/8-11 X 2 1/4 HHCS PL GR8	2
211	9044434	3/8-16X1 NC FLAT SOCKET HD CAP	2
212	9048800	5/8 WELDLESS CHAIN LINK	2
213	930290001	STOP BLOCK VERT BOOM WEL	2
214	9400004	BRONZE BUSHING	2
215	945020001	WASHER PLATE-LOWER LIFT	2
216	945030007	CABLE TIE BACK SPRING-1	2
217	945040001	SPACER, MAIN BOOM PIVOT	2
218	945291500	LOWER GUIDE PAD WELD'T	2
219	945350001	PIVOT PIN, MAIN BOOM	1
220	945351500	PIN WELD'T LOWER LIFT CY	2
221	945760021	HYD TUBE UNDER BOOM STIN	4
222	946770003	HOSE ASSEMBLY - 8MJ-8MJ X 45	4
223	946770007	HOSE ASSEMBLY - 79	2
224	946770009	HOSE ASSEMBLY - 104	2
--	0911034	RECOVERY BOOM ASSY V-100 2-STG	
225	0300041	FITTING, CONNECTOR 8MJ-8MB	4

## Section I - PARTS (cont'd)

### PARTS LIST V-100 2-STAGE W/STD STINGER (cont'd)

ITEM	PART NUMBER	DESCRIPTION	QTY
--	0911034	RECOVERY BOOM ASSY V-100 2-STG (cont'd)	
226	0300052	FITTING, ELB 8MJ-10MB 90	1
227	0301522	FITTING, CONN. 6MJ-6MB	2
228	0301696	FITTING, ELB 90 DEG 6MJ-6FJX90	2
229	0301895	GREASE FITTING,STR 1/8 PTF	6
230	0301895	GREASE FITTING,STR 1/8 PTF	7
231	0301949	3/8" OD AIRLINE,SYNFLEX HOSE	14
232	0302776	SNAP RING,EXTERNAL 2	2
233	0303505	WINCH-DP MODEL S50-50K (2)SPD	2
234	0400059	1/4-20X5/8 HHCS GR5 ZP	10
235	0400059	1/4-20X5/8 HHCS GR5 ZP	2
236	0400288	3/4-10X2.5HHCS GR 8GOLD	32
237	0400431	3/4-10 NYLOK HEX GR 8 ZP	32
238	0400492	1/2" FLATWASHER ZP	1
239	0400512	3/4 FLAT WASHER(SPECIAL)	64
240	0715517	PIN - "D"-RING OUT BOOM WELD'T	1
241	0719585	D-RING, TOWING	1
242	0724343	BAR, CABLE SUPPORT	1
243	0724344	CHANNEL, ROPE GUIDE	1
244	0806863	INNER BOOM WELDMENT V-100	1
245	0807965	WINCH MTG BRACKET	8
246	0810006	OUTER BOOM WELD'T V-100	1
247	0908425	KIT - BOOM SWIVEL	1
248	3012-793001	PLATE - LUBE MTG.	1
249	9010030	FITT, BRASS ELB 1/4T-1/8MPX	1
250	9010520	FITT, BRASS ELB 1/4T-1/4MP	2
251	9012549	CONNECTOR-MALE 3/8TUBEX1	1
252	9012552	BULKHEAD ADAPTER 1/8M-1/8F NPT	1
253	9012575	LEGRIS- 3108-56-11 1/8NP	3
254	9012584	ELBOW-1/4NPT X 3/8TUBE 9	1
255	9041403	1/2 NC X 1 1/2 HHCS PL GR8	1
256	9054200	INTERNAL RETN'G RING 2 H	2
257	9056137	RETAINING RING - 1 3/8	2
258	920110015	ROPE CATCHER	1
259	920255003	SPACER - LOCK PIN WELD'T	1
260	930250018	CABLE RETAINER OUTER BOOM	1
261	930290002	COVER PLATE VERT BOOM MA	2
262	945030001	PAD RETAINING PLATE-UPPE	1
263	945350500	PIN WELD'T-TILT CYL UPPE	1
264	945710000	RECOVERY BOOM EXTENSION CYL.	1
265	945770002	6AT2(6T90S-8MJ) HCL 48	2
266	946030004	UPPER WEAR PAD-RECOVERY	1
267	946030005	LOWER WEAR PAD-RECOVERY	1
268	946032000	TOP SPIDER CLAMP WELD'T	1
269	946032500	BOTTOM SPIDER CLAMP WELD	1
270	946350001	PIN MAIN BOOM EXT CYL FR	1
271	946350002	PIN MAIN BOOM EXT CYL RE	1
272	946760200	HYD. TUBE KIT	1
273	946770006	HOSE ASSEMBLY - 62	4
274	946770008	HOSE ASSEMBLY - 116	1

## Section I - PARTS (cont'd)

### PARTS LIST V-100 2-STAGE W/STD STINGER (cont'd)

ITEM	PART NUMBER	DESCRIPTION	QTY
--	0908425	KIT - BOOM SWIVEL	
275	0400557	1/2X1-1/4 ROLL PIN ZP	6
276	0908424	SWIVEL-BOOM ASSEMBLY	2
--	0908424	SWIVEL-BOOM ASSEMBLY	
277	0300113	GREASE FITTING,1/4-28 STRAIGHT	1
278	0300311	SHEAVE, 12-10-1BB 10	1
279	0400133	3/8-16X3 HHCS GR5 ZP	2
280	0400140	3/8-16X4 HHCS GR5 ZP	1
281	0400392	3/8-16 NYLOK HEX NUT ZINC	3
282	0700511	GUIDE, BOTTOM CABLE	2
283	0700563	SHAFT, SHEAVE	1
284	0802027	GUIDE-CABLE WELDMENT	1
285	0806862	BOOM END SWIVEL WELDMENT V-70	1
--	0911031	SHIP KIT, V-100	
286	0301215	WIRE ROPE 3/4X6X37 IWRC 250'	2
287	0303056	D GASKET- H2 ADHESIVE	8
288	0307626	SAFETY CHAIN ASY,1/2X14' GR100	2
289	0310599	CRC HD CORROSION INHIBIT SPRAY	1
290	0400128	3/8-16X1.25 FLAT HD SOC	12
291	0501128	V-90/V-100 OWNERS MANUAL	1
292	0723437	CHANNEL SUPPORT VULCAN	2
293	0724476	PAD - NYLATORN - BBOM GUIDE	4
294	0904217	HARDWARE-BODY MOUNTING	1
295	0908202	KIT, FORK - VULCAN LWRK	1
296	0908203	KIT, HDU CHAIN ADPTR -VUL LWRK	1
297	0908204	KIT, HDU RISER BRKT -VUL LWRK	1
298	0908205	KIT, SPRG LIFT BRKT -VUL LWRK	1
299	0908206	KIT, FORK ADAPTER -VUL LWRK	1
300	0908207	KIT, PUMP -VUL LWRK	1
301	0908208	KIT, MOUNTING -VUL LWRK	1
302	0911146	PURCHASED SHIP KIT-VULCAN HVY	1
303	0911148	VULCAN HD ADDTL BOLT KIT	1
304	9401902	TRAILER RECOVERY LOOP (EA)	1
305	946990200	V-100 DECALS	1
--	0904217	HARDWARE-BODY MOUNTING	
306	0400286	3/4-10X2.75" HHCSGR 8GOLD	44
307	0400301	7/8-9X3HHCS GR5 ZP	4
308	0400431	3/4-10 NYLOK HEX GR 8 ZP	44
309	0400436	7/8-9 NYLOK HEX NUT ZP	4
--	0908202	KIT, FORK - VULCAN LWRK	
310	0200018	FORK-SHORT, 3IN OPNG	2
311	0200019	FORK-SHORT, 4-1/2IN OPNG	2
312	0200020	FORK-MED, 3IN OPNG	2
313	0200021	FORK-MED, 4-1/2IN OPNG	2
314	0200023	FORK-LONG, 4-1/2IN OPNG	2
315	945539000	6 3/4 CURVED FORK (EACH)	2

## Section I - PARTS (cont'd)

### PARTS LIST V-100 2-STAGE W/STD STINGER (cont'd)

ITEM	PART NUMBER	DESCRIPTION	QTY
--	0908203	KIT, HDU CHAIN ADPTR -VUL LWRK	
316	0310230	CLEVIS PIN, 5/8 X 6 ZINC PLT	2
317	0400886	HITCH PIN CLIP,1/8 DIA X 2.6 OAL	2
318	0801186	ADAPTER-HDU CHAIN (LH OR RH)	1
319	0801186	ADAPTER-HDU CHAIN (LH OR RH)	1
--	0908204	KIT, HDU RISER BRKT -VUL LWRK	
320	0306564	ALUM T HANDLE 5/8" X 1-1/4"	2
321	0801459	BRKT-RISER-HDU	2
--	0908205	KIT, SPRG LIFT BRKT -VUL LWRK	
322	0807023	BRKT-PIVOT SPRING LIFT	2
323	0908672	PIN-RET.-SPRING LIFT	2
--	0908672	PIN-RET.-SPRING LIFT	
324	0302474	PIN, LINCH 3/16	1
325	0311167	3/16 SWAGE FOR 1/8 COATED CABL	1
326	0311210	CABLE, PIN RETAINER ASSY .125	1
327	0400568	3/8X3" ROLL PIN ZP	1
328	0400573	3/16X1-1/4ROLL PIN ZP	1
329	0402020	1/4-20NC X 3/4 HEX HD SS	1
330	0718917	PIN, RETAINER	1
--	0908206	KIT, FORK ADAPTER -VUL LWRK	
331	0306564	ALUM T HANDLE 5/8" X 1-1/4"	2
332	0803591	ADAPTER-LEFT FORK	1
333	0803592	ADAPTER-RIGHT FORK	1
334	0900900	PIN-ASSY, RETAINER	2
--	0900900	PIN-ASSY, RETAINER	
335	0302474	PIN, LINCH 3/16	1
336	0311167	3/16 SWAGE FOR 1/8 COATED CABL	1
337	0311210	CABLE, PIN RETAINER ASSY .125	1
338	0400568	3/8X3" ROLL PIN ZP	1
339	0400573	3/16X1-1/4ROLL PIN ZP	1
340	0402020	1/4-20NC X 3/4 HEX HD SS	1
341	0703426	PIN,RETAINER	1
--	0908207	KIT, PUMP -VUL LWRK	
342	0302901	HOSE HYD, 120" 12C12	2
343	0307995	HOSE, HYD 103" LG	2
344	0310010	SUCTION HOSE,1-1/4ID X50 100R4	1
345	9016815	MUNCIE PUMP TSPKS17-17-2BSSB	1
--	0908208	KIT, MOUNTING -VUL LWRK	
346	920000501	REAR MOUNTING PLATE	2
347	9401501	FRONT MTG. PLATE	2
348	9401530	FRONT MTG. BRKT. LOWER	2
349	9401540	FRONT MTG. BRKT. UPPER	2



## Section I - PARTS (cont'd)

### PARTS LIST V-100 2-STAGE W/STD STINGER (cont'd)

ITEM	PART NUMBER	DESCRIPTION	QTY
--	0911146	PURCHASED SHIP KIT-VULCAN HVY	
350	0300341	KNOB, BLACK (BLANK)	12
351	0307604	KNOB, RED LONG - SK0700-07	4
352	0500686	DECAL - RETRACT CAUTION	2
353	0500773	DECAL PLATE-THROTTLE	1
354	0501101	DECAL-CTRL CABLE SPEED	4
355	0501157	TAG-CAUTION WINCH CABLE DAMAGE	4
356	0902333	KIT-GLAD HAND	1
357	0904183	KIT-AIR TENSIONER	1
358	0906024	KIT BOX, V100 SHIP-DUAL CNTRL	1
359	0908209	KIT, MUDFLAP -VUL LWRK	1
360	0908550	KIT, SAFETY TREAD DECAL-VULCAN	1
--	0902333	KIT-GLAD HAND	
361	0301909	RECEPTACLE BOOT	1
362	0301946	FITTING, BLKHD CONNECT	2
363	0301948	HD 7 WAY TRAILER CONNECT	1
364	0304363	QUICK DISCONNECT 1/2 FPT	2
365	0400070	1/4-20X1 HHCS GR5 ZP	2
366	0400367	1/4-20 NYLOK HEX NUT ZP	2
367	0400451	1/4 FLATWASHER ZP	2
--	0904183	KIT-AIR TENSIONER	
368	0301577	1/4 OD PLASTIC AIRLINE, BLACK	25
369	0302495	CONVOLUTED LOOM 1/4	25
370	0311193	6" CABLE TIE	25
371	0400062	1/4-20X3/4 THRD CUT HEX	2
372	0700188	BRKT,BULKHEAD	2
373	0909085	KIT,AIR FLR/REG/LUBE COMBO 1/4	1
374	HA0132	GAUGE 0-160 PSI	1
--	0909085	KIT,AIR FLR/REG/LUBE COMBO 1/4	
375	0302123	HEX NIPPLE 4MP-4MP	1
376	0303363	AIR FLTR/REGULATOR COMBO	1
377	0306983	FITT, BRASS RUNTEE 1/4T-1/4MPX	1
378	9010520	FITT, BRASS ELB 1/4T-1/4MP	1
--	0906024	KIT BOX, V100 SHIP-DUAL CNTRL	
379	0906018	H.D. LIGHTING PARTS BAG	1
380	0906028	H.D. FITTINGS BAG	1
381	0906839	GROUND KIT MTG.HARNESS VULCAN	1
382	0907304	KIT - QUICK DISCONNECT AIR	1
383	124002186	QUICK CONNECT AIR SUPPLY	1
384	945990400	DUAL CONTROL COMMON DECA	1
--	0906018	H.D. LIGHTING PARTS BAG	
385	0303226	80 AMP CIRCUIT BREAKER	2
386	9032096	DECORATIVE TRIM 7500036	25



## Section I - PARTS (cont'd)

### PARTS LIST V-100 2-STAGE W/STD STINGER (cont'd)

ITEM	PART NUMBER	DESCRIPTION	QTY
--	0906028	H.D. FITTINGS BAG	
387	0300364	CLAMP-HOSE,0.875"-2.75" 50"LBS	4
388	0300649	UNION, STRAIGHT 12MJ - 12MJ	4
389	0302698	FITTING, HOSE BARB,1-1/4	2
390	0303290	INSULATED CLAMP 2 1/2	10
391	0303948	FTG-90DEG ELL 12MJ-16MB90	2
392	0306539	HOSE BARB 20HOSE16MB90	2
393	0400122	3/8-16X1.25 HHCS GR5 ZP	5
394	0400392	3/8-16 NYLOK HEX NUT ZINC	5
395	0400480	3/8 FLATWASHER ZP	5
--	0906839	GROUND KIT MTG.HARNESS VULCAN	
396	0400126	3/8-16X1 HHCS GR5 ZP.	4
397	0400382	5/16-18 NYLOK HEX NUT ZP	4
398	0400481	3/8" EXT.Tooth LOCKWASHER	4
399	0400495	5/8" EXT.Tooth LOCKWASHER	4
400	0402122	3/8-16NC HEX NUT 316 SS	4
401	0716468	LUG - GROUNDING	4
--	0907304	KIT - QUICK DISCONNECT AIR	
402	0301621	PRESSURE PROTECTION VLV.	1
403	0301946	FITTING, BLKHD CONNECT	1
404	0302123	HEX NIPPLE 4MP-4MP	1
405	0302125	PIPE, BUSHING 1/2MPT X 1/4FPT	1
406	0302534	FITTING, 45 DEG ELBOW	2
407	0302740	AIR HOSE, 1/2" SYNFLEX DOT	20
408	0303538	FITT, ADAPTER -BRASS 8FP-6MP	1
409	0303539	QUICK DISCONNECT 3/8 FPT	1
--	124002186	QUICK CONNECT AIR SUPPLY	
410	0302740	AIR HOSE, 1/2" SYNFLEX DOT	20
411	0311037	3/8" RED RUBER HOSE 50' PRECUT	1
412	0910488	FITTINGS BOX, QUICK CONN AIR	1
--	0910488	FITTINGS BOX, QUICK CONN AIR	
413	0301621	PRESSURE PROTECTION VLV.	1
414	0301946	FITTING, BLKHD CONNECT	1
415	0302123	HEX NIPPLE 4MP-4MP	1
416	0302125	PIPE, BUSHING 1/2MPT X 1/4FPT	1
417	0302534	FITTING, 45 DEG ELBOW	2
418	0303538	FITT, ADAPTER -BRASS 8FP-6MP	1
419	0303539	QUICK DISCONNECT 3/8 FPT	1
420	0303540	NIPPLE, QUICK DISCONNECT 3/8	1
421	0303541	NIPPLE, QUICK DISCONNECT	1
422	0303542	QUICK DISCONNECT - BARB	1
--	945990400	DUAL CONTROL COMMON DECA	
423	0500554	FLAG, AMERICAN LT	2
424	0500686	DECAL - RETRACT CAUTION	2
425	0500773	DECAL PLATE-THROTTLE	2

**Section I - PARTS (cont'd)**

**PARTS LIST V-100 2-STAGE W/STD STINGER (cont'd)**

ITEM	PART NUMBER	DESCRIPTION	QTY
--	945990400	DUAL CONTROL COMMON DECA (cont'd)	
426	0501101	DECAL-CTRL CABLE SPEED	2
427	0501157	TAG-CAUTION WINCH CABLE DAMAGE	2
428	9033194	WARNING DECAL MOVING PAR	2
429	9033196	WARN.DECAL,DONT WALK UND	2
430	9033197	WARNING DECAL-CABLE TENS	2
431	9033198	DECAL-SAFETY CHAINS	2
432	9033212	NAME PLATE- VULCAN 4 X1	4
433	9033575	DECAL - REMOTE	2
434	9033576	DECAL - FREE SPOOL LH WINCH	2
435	9033577	DECAL - TENSIONER	2
436	9033578	DECAL - FREE SPOOL RH WI	2
437	9033579	DECAL - DUAL CONTROL UPP	1
438	9033580	DECAL - DUAL CONTROL LOW	1
439	9033581	DECAL - NEW VULCAN	2
440	9033586	DECAL DUAL CONTROL UPPER	1
441	9033587	DECAL DUAL CONTROL LOWER	1
442	920950009	DECAL - WARNING FOR STIF	2
--	0908209	KIT, MUDFLAP -VUL LWRK	
443	920400005	MUD FLAP BRACE PLATE	2
444	94320052	MUD FLAP 920-940 RUBBER	1
--	0911148	VULCAN HD ADDTL BOLT KIT	
445	0400431	3/4-10 NYLOK HEX GR 8 ZP	2
446	0400490	3/4 FLATWASHER GR 8	4
447	9044454	3/4-10NC X 7 LG HHCS GRD	2
--	946990200	V-100 DECALS	
448	9033583	DECAL - V100	2
449	9033603	DECAL WARNING V-100 BOOM	2
450	9033606	DECAL WARNING V-90, V-10	2
451	9033612	DECAL WARNING V-100 WINC	2

## Section I - PARTS (cont'd)

### PARTS LIST V-100 3-STAGE W/STD STINGER

ITEM	PART NUMBER	DESCRIPTION	QTY
--	125100300	V-100 3-STAGE W/ STD STINGER	1
1	0911002	BUA, V-100 3-STAGE STD STINGER	1
2	0911031	SHIP KIT, V-100	1
--	0911002	BUA, V-100 3-STAGE STD STINGER	
3	0910786	STINGER ASSY - STD - 114"	1
4	0911008	SUBFRAME ASSY V-100	1
5	0911012	RECOVERY BOOM INSTALL 3-STAGE	1
--	0910786	STINGER ASSY - STD - 114"	
6	0300113	GREASE FITTING,1/4-28 STRAIGHT	4
7	0301895	GREASE FITTING,STR 1/8 PTF	4
8	0303193	BLACK SKUFF JACKET SJ16	19
9	0400134	3/8-24X3/4 FLTHDSKTSCR	3
10	0400176	1/2-13X1 HHCS GR5 ZP	1
11	0400177	1/2-13X1.25 HHCS GR5 ZP	1
12	0400248	5/8-11X1HHCS GR 8 ZP	1
13	0400491	1/2" HCL LKWSHR ZP	2
14	0400492	1/2" FLATWASHER ZP	2
15	0400505	5/8" SAE WASHER	2
16	0400508	5/8" HELICAL LCKWSHR ZP	10
17	0400594	1/4-20X5/8 SOC FLT HD	8
18	0723463	PLATE, PAD RETAINER	1
19	0723476	PLATE, PAD RETAINER	1
20	0724348	PIN, EXT CYL REAR MTG -STINGER	1
21	0807763	1ST STAGE STINGER WELD'T 116"	1
22	0807765	FOLDING BOOM WELD'T 116"	1
23	0810009	2ND STAGE STINGER - 116"	1
24	9012510	CONNECTOR 6SAE MALE-3/8	2
25	9040602	5/8NC X 1 1/4 HHCS GR 8	1
26	9044170	1-8X1-1/2 SOC SET SCREW	1
27	9044471	5/8-18 X 1 1/4 HHCS PL GR8	8
28	9046315	3/16 DIAX1 3/4LG ROLL PI	2
29	9046625	7/8X6 1/2 LG HITCH PIN	1
30	9054150	1 1/2 INT. RET. RING (C	1
31	915760022	HYD.TUBE 3/8 STINGER EX	1
32	915760023	HYD.TUBE 3/8 STINGER EX	1
33	916770001	HOSE- HYD. 3/8 - 105" 8MJ-6MFA	2
34	924902000	LOWER PIN WELD'T	1
35	930150001	STOP PAD (FOLDING BOOM)	4
36	930150002	SPACER (1ST STAGE STINGE	1
37	930150003	TOP PADS	4
38	930150004	BOTTOM PADS	4
39	930150011	PIN (CYL STIFFENER PLATE	1
40	930152000	FRONT MTG. PIN WELD'T	1
41	930770500	TWIN CYL. ARRANGEMENT WELD-ON	1
42	930901500	SHAFT WELD'T - FOLD.BOOM PIVOT	1
43	945300000	PIVOT FOOT WELDMENT	1
44	945351000	SHAFT WELDT-FOLDING BOOM PIVOT	1
45	946750000	TILT CYLINDER 6 DIA	1

## Section I - PARTS (cont'd)

### PARTS LIST V-100 3-STAGE W/STD STINGER (cont'd)

ITEM	PART NUMBER	DESCRIPTION	QTY
--	0911008	SUBFRAME ASSY V-100	
46	0300649	UNION, STRAIGHT 12MJ - 12MJ	2
47	0300865	FITTING, CONNECTOR 8MJ-8MJ	4
48	0301522	FITTING, CONN. 6MJ-6MB	7
49	0301577	1/4 OD PLASTIC AIRLINE, BLACK	222
50	0301620	FITTING, HYD. 6MJ - 6MB90	1
51	0301895	GREASE FITTING,STR 1/8 PTF	6
52	0302275	FITTING, CONN 8MJ-6MB W/STEP	5
53	0302276	FITTING, ELB 90 DEG	1
54	0302696	FITTING, CONNECTOR	2
55	0302726	GREASE FITTING, 1/4-28 X 45DEG	16
56	0303193	BLACK SKUFF JACKET SJ16	75
57	0303394	HOSE HYD, 46"	4
58	0307003	FITT, HYD UNION 10MJ-10MJ	6
59	0311189	HITCH PIN 1/4" DIA.	2
60	0400002	4X1/4 DRIVE SCREW RD HD	4
61	0400066	1/4-20X3/4 HHCS GR5 ZP	6
62	0400109	5/16-18X1 HHCS GR5 ZP	4
63	0400114	5/16-18X3 HHCS GR5 ZP	2
64	0400126	3/8-16X1 HHCS GR5 ZP.	22
65	0400128	3/8-16X1.25 FLAT HD SOC	12
66	0400149	3/8-16 X 5/8 HHCS GR5 ZP	3
67	0400176	1/2-13X1 HHCS GR5 ZP	14
68	0400205	1/2-13X3 HHCS GR5 ZP	1
69	0400306	7/8-9X3HHCS GR 8 GOLD	18
70	0400393	3/8-16 HEX NUT JAM ZP	16
71	0400437	7/8-9 NYLOK HEX GR 8 ZP	18
72	0400452	1/4" HELICAL LCKWASHR ZP	16
73	0400463	5/16" FLATWASHER ZP.	8
74	0400482	3/8" HELICAL LCKWSHR - ZP	3
75	0400491	1/2" HCL LKWSHR ZP	10
76	0400492	1/2" FLATWASHER ZP	6
77	0400508	5/8" HELICAL LCKWSHR ZP	2
78	0400776	5/16-18 HEX NUT JAM NYLOK ZP	2
79	0501420	PLATE - SERIAL/DATA (V-70)	1
80	0719585	D-RING, TOWING	4
81	0724349	PLATE, JACK LEG COVER	2
82	0724499	PIN - UPPER JACK LEG CYL	2
83	0724500	PIN - LOWER JACK LEG CYL	2
84	0807731	SUBFRAME WELD'T, V-70, V-100	1
85	0810005	PIN - FORK RETAINING	2
86	0910705	CONTROL STATION ASSY	1
87	0910757	HYD. TUBE KIT - VULCAN HD	1
88	9012515	1 1/16 -12 37 JIC PLUG	2
89	9012525	9/16 -18 37 JIC MALE PLUG	4
90	9015738	HOLDING VALVE MHB-015-L	2
91	9018241	SINGLE TUBE CLAMP-1	2
92	9018254	5/8 TUBE CLAMP SM2160-PP	12
93	9018255	1/2 TUBE CLAMP FM2127-PP	12
94	9018256	3/4 TUBE CLAMP SM3190-PP	4

## Section I - PARTS (cont'd)

### PARTS LIST V-100 3-STAGE W/STD STINGER (cont'd)

ITEM	PART NUMBER	DESCRIPTION	QTY
--	0911008	SUBFRAME ASSY V-100 (cont'd)	
95	9018271	TRANSITION BLOCK 9E0001	1
96	9041011	1/4 NC X 2 1/2 HHCS PL GR8	8
97	9041402	1/2 NC X 1 1/4 HHCS PLT GR8	5
98	9043950	5/8 NC X 1 1/2 HHCS PL GR 8	2
99	9053041	BEARING-SPHERICAL TORRIN	2
100	9054150	1 1/2 INT. RET. RING (C	8
101	915770002	8AT2(8T90S-8T90S) HCL	2
102	915770017	16R4(16MJ-16FJ) HCL	2
103	915780000	HYD TANK ASSEY 3 POINT M	1
104	930020001	SPACER PLATE STIFFLEG SU	2
105	930202500	PIVOT BLOCK WELD'T	2
106	930202504	TIE PLATE - BOOM PIVOT A	2
107	930202505	WASHER PLATE - BOOM PIVO	4
108	930400009	BOTTOM PLATE - DCV DUAL	1
109	9401418	DIPSTICK WELDMENT HYDR TANK	1
110	9402970	TOOLBOX MTG. PAD	3
111	945000001	LOCK PLATE - SPHERICAL B	2
112	945020001	WASHER PLATE-LOWER LIFT	2
113	945351500	PIN WELD'T LOWER LIFT CY	2
114	945720000	STIFF LEG CYLINDER - 45/	2
115	945770003	6AT2(6T90L-8MJ) 24 HYD	4
116	946402500	COVER ASSEMBLY	1
117	946700000	45/50 BOOM LIFT CYLINDER	2
118	946770001	6AT2(6T90S-6T90S) HCL	2
119	DE1381	1/2 WASHER SAE 17/32 ID	4
120	GA0215	PIN-"D" RING	4
--	0910705	CONTROL STATION ASSY	
121	0300052	FITTING, ELB 8MJ-10MB 90	1
122	0301376	CONNECTOR 8 MJ - 10 MB	9
123	0301619	FITT, 6MJ-6MJ-6MB BRANCH TEE	2
124	0302083	16 MJ - 12 MB 90 ELBOW	2
125	0302827	FITTING, CONNECTOR 10MJ-10MB	5
126	0306984	FITT, HYD ELB 12MB-12MJ90 W/HO	2
127	0400382	5/16-18 NYLOK HEX NUT ZP	8
128	0400387	3/8-24 HEX JAM NUT ZP(DE1206)	32
129	0400392	3/8-16 NYLOK HEX NUT ZINC	40
130	0400480	3/8 FLATWASHER ZP	44
131	0723377	PLATE, DCV MTG. - VULCAN HD	1
132	0907441	CONTROL HANDLE ASSY - SHORT	8
133	0907442	CONTROL HANDLE ASSY - LONG	8
134	9010030	FITT, BRASS ELB 1/4T-1/8MPX	12
135	9016021	VALVE 6 SPOOL 346-9206-018	1
136	9016022	VALVE 2 SPOOL 346-9202-018	1
137	9041108	5/16 NC X 1 3/4 HHCS PL GR8	4
138	9041212	3/8 NC X 2 3/4 HHCS PL GR8	6
139	9043371	6 MM LOCKNUT FOR 9043817	8
140	9043713	M8 X 20 SOC SHOULDER BOL	8
141	9048513	SPHERICAL ROD END REBPJH-	16

## Section I - PARTS (cont'd)

### PARTS LIST V-100 3-STAGE W/STD STINGER (cont'd)

ITEM	PART NUMBER	DESCRIPTION	QTY
--	0910705	CONTROL STATION ASSY	
142	930400001	PIN - CONTROL HANDLE PIV	2
143	930400012	RH CONTROL ROD (LONG) -	8
144	930400013	LH CONTROL ROD (SHORT) -	8
145	930402600	SHORT LUG WELD'T - DUAL	6
146	930402700	LONG LUG WELD'T - DUAL C	2
147	946400600	CHANNEL WELD'T	2
148	GX263	FITTING, ELB 10MJ-10MB90	1
--	0907441	CONTROL HANDLE ASSY - SHORT	
149	0806515	CONTROL HANDLE WELD'T	1
150	9053524	BEARING BR. FLG.752 X .879X.75	2
--	0907442	CONTROL HANDLE ASSY - LONG	
151	0806531	CONTROL HANDLE WELD'T	1
152	9053524	BEARING BR. FLG.752 X .879X.75	2
--	0910757	HYD. TUBE KIT - VULCAN HD	
153	0310837	HYD TUBE ASSY, RETURN - REAR	1
154	0310838	HYD TUBE ASSY, RH WINCH - B	1
155	0310839	HYD TUBE ASSY, REAR PRESSURE	1
156	0310840	HYD TUBE ASSY, BOOM LIFT - A	1
157	0310841	HYD TUBE ASSY, BOOM LIFT - B	1
158	0310842	HYD TUBE ASSY, RH WINCH - A	1
159	930760010	TUBE, HYD 1/2 X 17 15/16 RH ST	1
160	930760011	TUBE, HYD 1/2 X 17 13/16 RH ST	1
161	946760001	TUBE, HYD 3/4 X 30 3/4 FR.VALV	1
162	946760003	TUBE, HYD 5/8 X 32 9/16 MAIN B	2
163	946760004	TUBE, HYD 1/2 X 34 7/16 ST.EXT	1
164	946760005	TUBE, HYD 1/2 X 34 7/16 ST.EXT	1
165	946760006	TUBE, HYD 1/2 X 36 1/16 ST.TIL	1
166	946760007	TUBE, HYD 1/2 X 36 1/16 ST.TIL	1
167	946760008	TUBE, HYD 1/2 LH STIFFLEG	1
168	946760009	TUBE, HYD 1/2 LH STIFFLEG B PO	1
169	946760010	TUBE, HYD 5/8 X 40 11/16 FR.WI	1
170	946760011	TUBE, HYD 5/8 X 40 11/16 FR.WI	1
171	946760012	TUBE, HYD 1" RETURN LINE FR.VA	1
172	946760016	TUBE, HYD 3/4X77 1/4 END SECTI	2
173	946760017	TUBE, HYD 5/8X80 3/8 END SECTI	6
174	946760018	TUBE, HYD 1/2X77 3/8 END SECTI	4
--	915780000	HYD TANK ASSY 3 POINT M	
175	0301611	PIPE, 1-1/4 SCH40 BLK	2
176	0302696	FITTING, CONNECTOR	2
177	0302699	PIPE NIPPLE - 1-1/4 X 2	2
178	0305006	FILLER CAP (GO205,FB194)	1
179	9011014	1/4NPT SOCKET STL PLUG *	1
180	9012913	MAGNETIC PIPE PLUG 3/4NP	1
181	9015571	BALL VALVE - 1 1/4 CV5	2
182	9018139	SUCT.STRAINER LHA SEH-2	2

## Section I - PARTS (cont'd)

### PARTS LIST V-100 3-STAGE W/STD STINGER (cont'd)

ITEM	PART NUMBER	DESCRIPTION	QTY
--	915780000	HYD TANK ASSY 3 POINT M (cont'd)	
183	9018140	OIL FILTER HEAD-LHA SP50NAHN-	2
184	9032122	GASKET, HYD. TANK COVER	1
185	9043477	5/16-18X1 SOC HD CAP SCREW	6
186	915780500	HYDRAULIC TANK WELD'T	1
187	9401408	INSPECT COVER	1
--	946402500	COVER ASSEMBLY	
188	0301851	TRIM-LOCK 150B2X1/8	5
189	9041202	3/8-16 X 5/8 HHCS PL GR8	6
190	9045057	0400482 3/8 BS LOCK WASHER	6
191	946402501	TOP PANNEL - COVER	1
192	946402600	REAR PANEL WELD'T	1
193	946402700	FRONT PANEL WELD'T	1
--	0911012	RECOVERY BOOM INSTALL 3-STAGE	
194	0301577	1/4 OD PLASTIC AIRLINE, BLACK	105
195	0310194	HARNESS, WIRING 2-SPEED	1
196	0400066	1/4-20X3/4 HHCS GR5 ZP	8
197	0400126	3/8-16X1 HHCS GR5 ZP.	4
198	0400132	3/8-16X1.5 HHCS GR5 ZP	6
199	0400392	3/8-16 NYLOK HEX NUT ZINC	12
200	0400424	5/8-18 HEX NUT ZP	2
201	0400426	5/8-11 GR 8 NYLOK NUT YZ PLT	4
202	0400452	1/4" HELICAL LCKWASHR ZP	8
203	0400482	3/8" HELICAL LCKWSHR - ZP	4
204	0400505	5/8" SAE WASHER	2
205	0911035	RECOVERY BOOM ASSY V100 3-STG	2
206	9018255	1/2 TUBE CLAMP FM2127-PP	12
207	9041058	1/4 X 1 3/4 HHCS GR8	2
208	9043605	5/8-18 X 2 SOC HD CAP	2
209	9043975	H.H.C.SCREW 5/8N.C.X3 1/	2
210	9044409	5/8-11 X 2 1/4 HHCS PL GR8	2
211	9044434	3/8-16X1 NC FLAT SOCKET HD CAP	2
212	9048800	5/8 WELDLESS CHAIN LINK	2
213	930290001	STOP BLOCK VERT BOOM WEL	2
214	9400004	BRONZE BUSHING	2
215	945020001	WASHER PLATE-LOWER LIFT	2
216	945030007	CABLE TIE BACK SPRING-1	2
217	945040001	SPACER, MAIN BOOM PIVOT	2
218	945291500	LOWER GUIDE PAD WELD'T	2
219	945350001	PIVOT PIN, MAIN BOOM	1
220	945351500	PIN WELD'T LOWER LIFT CY	2
221	945760021	HYD TUBE UNDER BOOM STIN	4
222	946770003	HOSE ASSEMBLY - 8MJ-8MJ X 45	4
223	946770007	HOSE ASSEMBLY - 79	2
224	946770009	HOSE ASSEMBLY - 104	2
--	0911035	RECOVERY BOOM ASSY V100 3-STG	
225	0300041	FITTING, CONNECTOR 8MJ-8MB	4



## Section I - PARTS (cont'd)

### PARTS LIST V-100 3-STAGE W/STD STINGER (cont'd)

ITEM	PART NUMBER	DESCRIPTION	QTY
--	0911035	RECOVERY BOOM ASSY V100 3-STG (cont'd)	
226	0301522	FITTING, CONN. 6MJ-6MB	2
227	0301895	GREASE FITTING,STR 1/8 PTF	1
228	0301949	3/8" OD AIRLINE,SYNFLEX HOSE	14
229	0303505	WINCH-DP MODEL S50-50K (2)SPD	2
230	0307406	PAD, SLIDE - (3) STAGE 9055	1
231	0310797	1" WIRE LOOM	0.01
232	0400059	1/4-20X5/8 HHCS GR5 ZP	10
233	0400288	3/4-10X2.5HHCS GR 8GOLD	32
234	0400426	5/8-11 GR 8 NYLOK NUT YZ PLT	4
235	0400431	3/4-10 NYLOK HEX GR 8 ZP	32
236	0400452	1/4" HELICAL LCKWASHR ZP	10
237	0400491	1/2" HCL LKWSHR ZP	1
238	0400492	1/2" FLATWASHER ZP	1
239	0400512	3/4 FLAT WASHER(SPECIAL)	64
240	0715517	PIN - "D"-RING OUT BOOM WELD'T	1
241	0719585	D-RING, TOWING	1
242	0724343	BAR, CABLE SUPPORT	1
243	0724344	CHANNEL, ROPE GUIDE	1
244	0806824	BOOM, MID STAGE WELD'T	1
245	0807965	WINCH MTG BRACKET	8
246	0807971	V-100 3-STAGE OUTER BOOM	1
247	0908119	BOOM EXTEND SYSTEM 9055 3STAGE	1
248	0908356	SLIDE PAD ASSY (9055 3 STAGE)	2
249	0908359	SLIDE PAD ASSY (V100 3 STAGE)	4
250	0908425	KIT - BOOM SWIVEL	1
251	3012-793001	PLATE - LUBE MTG.	1
252	9010030	FITT, BRASS ELB 1/4T-1/8MPX	1
253	9010520	FITT, BRASS ELB 1/4T-1/4MP	2
254	9012549	CONNECTOR-MALE 3/8TUBEX1	1
255	9012552	BULKHEAD ADAPTER 1/8M-1/8F NPT	1
256	9012575	LEGRIS- 3108-56-11 1/8NP	3
257	9012584	ELBOW-1/4NPT X 3/8TUBE 9	1
258	9018255	1/2 TUBE CLAMP FM2127-PP	12
259	9041403	1/2 NC X 1 1/2 HHCS PL GR8	1
260	9044434	3/8-16X1 NC FLAT SOCKET HD CAP	4
261	9056137	RETAINING RING - 1 3/8	2
262	916040004	WEAR PAD - LOWER	1
263	920255003	SPACER - LOCK PIN WELD'T	1
264	930290002	COVER PLATE VERT BOOM MA	2
265	945350500	PIN WELD'T-TILT CYL UPPE	1
266	945770002	6AT2(6T90S-8MJ) HCL 48	2
267	946030004	UPPER WEAR PAD-RECOVERY	2
268	947270000	INNER BOOM TUBE WLMT	1
--	0908119	BOOM EXTEND SYSTEM 3STAGE	
269	0300113	GREASE FITTING,1/4-28 STRAIGHT	4
270	0301388	FITTING, 90ELL, 8MJ-8MB90	2
271	0305023	SNAP RING 5100-0225PP	2
272	0307160	CABLE - EXT ASSY 3-STAGE BOOM	2



## Section I - PARTS (cont'd)

### PARTS LIST V-100 3-STAGE W/STD STINGER (cont'd)

ITEM	PART NUMBER	DESCRIPTION	QTY
--	0908119	BOOM EXTEND SYSTEM 3STAGE (cont'd)	
273	0307402	CYL HYD 6.5 BORE 3-STAGE 9055&	1
274	0307403	CABLE - ASSY (RETRACT) 3-STAGE	2
275	0400146	3/8-16X2.25 HHCS GR5 ZP	1
276	0400223	3/8-16X3/4 FL HEAD	4
277	0400264	5/8-11X2.25 HHCS GR5 ZP	4
278	0400390	3/8-16 HEX JAM NUT W/PELLET	1
279	0400421	5/8-11 NYLOK HEX NUT ZP	4
280	0400448	1.25-12X1/2 HEX JAM NUT	2
281	0400461	NUT, HEX 1.25-12 GR8 PL	2
282	0400471	NUT, HEX 7/8-14 UNF GR8 ZP	2
283	0400472	NUT, JAM 7/8-14 UNF GR8 ZP	2
284	0400473	WASH, FLAT 7/8" PL HARD'N	2
285	0400480	3/8 FLATWASHER ZP	6
286	0400501	WASH, SAE 1 1/4 HARDENED PL	2
287	0717744	PIN, EXTEND CYL. BASE	1
288	0717747	PIN, RETRACT CABLE	1
289	0806752	SHAFT-RETRACT SHEAVE WELD'T	4
290	0908022	EXTEND SHEAVE ASSY 9055 3STAGE	1
291	0908118	SHEAVE ASSY 5" DIA	4
292	GA0215	PIN-"D" RING	1
--	0908022	EXTEND SHEAVE ASSY 9055 3STAGE	
293	0300113	GREASE FITTING,1/4-28 STRAIGHT	2
294	0303441	SHEAVE-10" DIA X 1.5 BORE	2
295	0400177	1/2-13X1.25 HHCS GR5 ZP	4
296	0400223	3/8-16X3/4 FL HEAD	1
297	0400483	3/8 CNTR'SUNK LOCKWASHER	1
298	0400491	1/2" HCL LKWSHR ZP	4
299	0717743	ROD, EXTEND SHEAVE SPACER	2
300	0806721	BRKT WELD'T - EXTEND SHEAVE	1
301	0806722	SHAFT - EXTEND SHEAVE WELD'T	1
--	0908118	SHEAVE ASSY 5" DIA	
302	0307432	BUSHING - BRONZE	1
303	0717909	SHEAVE, 5" DIA RETRACT	1
--	0908356	SLIDE PAD ASSY (9055 3 STAGE)	
304	0303490	PAD-WEAR 1/2" X 1" X 4"	1
305	0400066	1/4-20X3/4 HHCS GR5 ZP	1
306	0400349	3/8-16X3/4 FLT SOC HD	5
307	0400451	1/4 FLATWASHER ZP	1
308	0400452	1/4" HELICAL LCKWASHR ZP	1
309	0717262	SHIM - SLIDE PAD	2
310	0718134	PLATE - SLIDE PAD SUPPORT	1
--	0908359	SLIDE PAD ASSY (V100 3 STAGE)	
311	0306825	SLIDE PAD - 3/4 X 1 X 4	1
312	0400066	1/4-20X3/4 HHCS GR5 ZP	1
313	0400126	3/8-16X1 HHCS GR5 ZP.	5

## Section I - PARTS (cont'd)

### PARTS LIST V-100 3-STAGE W/STD STINGER (cont'd)

ITEM	PART NUMBER	DESCRIPTION	QTY
--	0908359	SLIDE PAD ASSY (V100 3 STAGE) (cont'd)	
314	0400451	1/4 FLATWASHER ZP	1
315	0400452	1/4" HELICAL LCKWASHR ZP	1
316	0400482	3/8" HELICAL LCKWSHR - ZP	5
317	0717746	PLATE, SLIDE PAD SUPPORT	1
--	0908425	KIT - BOOM SWIVEL	
318	0400557	1/2X1-1/4 ROLL PIN ZP	6
319	0908424	SWIVEL-BOOM ASSEMBLY	2
--	0908424	SWIVEL-BOOM ASSEMBLY	
320	0300113	GREASE FITTING,1/4-28 STRAIGHT	1
321	0300311	SHEAVE, 12-10-1BB 10	1
322	0400133	3/8-16X3 HHCS GR5 ZP	2
323	0400140	3/8-16X4 HHCS GR5 ZP	1
324	0400392	3/8-16 NYLOK HEX NUT ZINC	3
325	0700511	GUIDE, BOTTOM CABLE	2
326	0700563	SHAFT,SHEAVE	1
327	0802027	GUIDE-CABLE WELDMENT	1
328	0806862	BOOM END SWIVEL WELDMENT V-70	1
--	0911031	SHIP KIT, V-100	
329	0301215	WIRE ROPE 3/4X6X37 IWRC 250'	2
330	0303056	D GASKET- H2 ADHESIVE	8
331	0307626	SAFETY CHAIN ASY,1/2X14' GR100	2
332	0310599	CRC HD CORROSION INHIBIT SPRAY	1
333	0400128	3/8-16X1.25 FLAT HD SOC	12
334	0501128	V-90/V-100 OWNERS MANUAL	1
335	0723437	CHANNEL SUPPORT VULCAN	2
336	0724476	PAD - NYLATORN - BBOM GUIDE	4
337	0904217	HARDWARE-BODY MOUNTING	1
338	0908202	KIT, FORK - VULCAN LWRK	1
339	0908203	KIT, HDU CHAIN ADPTR -VUL LWRK	1
340	0908204	KIT, HDU RISER BRKT -VUL LWRK	1
341	0908205	KIT, SPRG LIFT BRKT -VUL LWRK	1
342	0908206	KIT, FORK ADAPTER -VUL LWRK	1
343	0908207	KIT, PUMP -VUL LWRK	1
344	0908208	KIT, MOUNTING -VUL LWRK	1
345	0911146	PURCHASED SHIP KIT-VULCAN HVY	1
346	0911148	VULCAN HD ADDTL BOLT KIT	1
347	9401902	TRAILER RECOVERY LOOP (EA)	1
348	946990200	V-100 DECALS	1
--	0904217	HARDWARE-BODY MOUNTING	
349	0400286	3/4-10X2.75" HHCSGR 8GOLD	44
350	0400301	7/8-9X3HHCS GR5 ZP	4
351	0400431	3/4-10 NYLOK HEX GR 8 ZP	44
352	0400436	7/8-9 NYLOK HEX NUT ZP	4

## Section I - PARTS (cont'd)

### PARTS LIST V-100 3-STAGE W/STD STINGER (cont'd)

ITEM	PART NUMBER	DESCRIPTION	QTY
--	0908202	KIT, FORK - VULCAN LWRK	
353	0200018	FORK-SHORT, 3IN OPNG	2
354	0200019	FORK-SHORT, 4-1/2IN OPNG	2
355	0200020	FORK-MED, 3IN OPNG	2
356	0200021	FORK-MED, 4-1/2IN OPNG	2
357	0200023	FORK-LONG, 4-1/2IN OPNG	2
358	945539000	6 3/4 CURVED FORK (EACH)	2
--	0908203	KIT, HDU CHAIN ADPTR -VUL LWRK	
359	0310230	CLEVIS PIN, 5/8 X 6 ZINC PLT	2
360	0400886	HITCH PIN CLIP,1/8 DIA X 2.6 OAL	2
361	0801186	ADAPTER-HDU CHAIN (LH OR RH)	1
362	0801186	ADAPTER-HDU CHAIN (LH OR RH)	1
--	0908204	KIT, HDU RISER BRKT -VUL LWRK	
363	0306564	ALUM T HANDLE 5/8" X 1-1/4"	2
364	0801459	BRKT-RISER-HDU	2
--	0908205	KIT, SPRG LIFT BRKT -VUL LWRK	
365	0807023	BRKT-PIVOT SPRING LIFT	2
366	0908672	PIN-RET.-SPRING LIFT	2
--	0908672	PIN-RET.-SPRING LIFT	
367	0302474	PIN, LINCH 3/16	1
368	0311167	3/16 SWAGE FOR 1/8 COATED CABL	1
369	0311210	CABLE, PIN RETAINER ASSY .125	1
370	0400568	3/8X3" ROLL PIN ZP	1
371	0400573	3/16X1-1/4ROLL PIN ZP	1
372	0402020	1/4-20NC X 3/4 HEX HD SS	1
373	0718917	PIN, RETAINER	1
--	0908206	KIT, FORK ADAPTER -VUL LWRK	
374	0306564	ALUM T HANDLE 5/8" X 1-1/4"	2
375	0803591	ADAPTER-LEFT FORK	1
376	0803592	ADAPTER-RIGHT FORK	1
377	0900900	PIN-ASSY, RETAINER	2
--	0900900	PIN-ASSY, RETAINER	
378	0302474	PIN, LINCH 3/16	1
379	0311167	3/16 SWAGE FOR 1/8 COATED CABL	1
380	0311210	CABLE, PIN RETAINER ASSY .125	1
381	0400568	3/8X3" ROLL PIN ZP	1
382	0400573	3/16X1-1/4ROLL PIN ZP	1
383	0402020	1/4-20NC X 3/4 HEX HD SS	1
384	0703426	PIN,RETAINER	1
--	0908207	KIT, PUMP -VUL LWRK	
385	0302901	HOSE HYD, 120" 12C12	2
386	0307995	HOSE, HYD 103" LG	2
387	0310010	SUCTION HOSE,1-1/4ID X50 100R4	1

## Section I - PARTS (cont'd)

### PARTS LIST V-100 3-STAGE W/STD STINGER (cont'd)

ITEM	PART NUMBER	DESCRIPTION	QTY
--	0908207	KIT, PUMP -VUL LWRK (cont'd)	
388	9016815	MUNCIE PUMP TSPKS17-17-2BSSB	1
--	0908208	KIT, MOUNTING -VUL LWRK	
389	920000501	REAR MOUNTING PLATE	2
390	9401501	FRONT MTG. PLATE	2
391	9401530	FRONT MTG. BRKT. LOWER	2
392	9401540	FRONT MTG. BRKT. UPPER	2
--	0911146	PURCHASED SHIP KIT-VULCAN HVY	
393	0300341	KNOB, BLACK (BLANK)	12
394	0307604	KNOB, RED LONG - SK0700-07	4
395	0500686	DECAL - RETRACT CAUTION	2
396	0500773	DECAL PLATE-THROTTLE	1
397	0501101	DECAL-CTRL CABLE SPEED	4
398	0501157	TAG-CAUTION WINCH CABLE DAMAGE	4
399	0902333	KIT-GLAD HAND	1
400	0904183	KIT-AIR TENSIONER	1
401	0906024	KIT BOX, V100 SHIP-DUAL CNTRL	1
402	0908209	KIT, MUDFLAP -VUL LWRK	1
403	0908550	KIT, SAFETY TREAD DECAL-VULCAN	1
--	0902333	KIT-GLAD HAND	
404	0301909	RECEPTACLE BOOT	1
405	0301946	FITTING, BLKHD CONNECT	2
406	0301948	HD 7 WAY TRAILER CONNECT	1
407	0304363	QUICK DISCONNECT 1/2 FPT	2
408	0400070	1/4-20X1 HHCS GR5 ZP	2
409	0400367	1/4-20 NYLOK HEX NUT ZP	2
410	0400451	1/4 FLATWASHER ZP	2
--	0904183	KIT-AIR TENSIONER	
411	0301577	1/4 OD PLASTIC AIRLINE, BLACK	25
412	0302495	CONVOLUTED LOOM 1/4	25
413	0311193	6" CABLE TIE	25
414	0400062	1/4-20X3/4 THRD CUT HEX	2
415	0700188	BRKT,BULKHEAD	2
416	0909085	KIT,AIR FLR/REG/LUBE COMBO 1/4	1
417	HA0132	GAUGE 0-160 PSI	1
--	0909085	KIT,AIR FLR/REG/LUBE COMBO 1/4	
418	0302123	HEX NIPPLE 4MP-4MP	1
419	0303363	AIR FLTR/REGULATOR COMBO	1
420	0306983	FITT, BRASS RUNTEE 1/4T-1/4MPX	1
421	9010520	FITT, BRASS ELB 1/4T-1/4MP	1
--	0906024	KIT BOX, V100 SHIP-DUAL CNTRL	
422	0906018	H.D. LIGHTING PARTS BAG	1
423	0906028	H.D. FITTINGS BAG	1
424	0906839	GROUND KIT MTG.HARNESS VULCAN	1

## Section I - PARTS (cont'd)

### PARTS LIST V-100 3-STAGE W/STD STINGER (cont'd)

ITEM	PART NUMBER	DESCRIPTION	QTY
--	0906024	KIT BOX, V100 SHIP-DUAL CNTRL (cont'd)	
425	0907304	KIT - QUICK DISCONNECT AIR	1
426	124002186	QUICK CONNECT AIR SUPPLY	1
427	945990400	DUAL CONTROL COMMON DECA	1
--	0906018	H.D. LIGHTING PARTS BAG	
428	0303226	80 AMP CIRCUIT BREAKER	2
429	9032096	DECORATIVE TRIM 7500036	25
--	0906028	H.D. FITTINGS BAG	
430	0300364	CLAMP-HOSE,0.875"-2.75" 50"LBS	4
431	0300649	UNION, STRAIGHT 12MJ - 12MJ	4
432	0302698	FITTING, HOSE BARB,1-1/4	2
433	0303290	INSULATED CLAMP 2 1/2	10
434	0303948	FTG-90DEG ELL 12MJ-16MB90	2
435	0306539	HOSE BARB 20HOSE16MB90	2
436	0400122	3/8-16X1.25 HHCS GR5 ZP	5
437	0400392	3/8-16 NYLOK HEX NUT ZINC	5
438	0400480	3/8 FLATWASHER ZP	5
--	0906839	GROUND KIT MTG.HARNESS VULCAN	
439	0400126	3/8-16X1 HHCS GR5 ZP.	4
440	0400382	5/16-18 NYLOK HEX NUT ZP	4
441	0400481	3/8" EXT.TOOTH LOCKWASHER	4
442	0400495	5/8" EXT.TOOTH LOCKWASHER	4
443	0402122	3/8-16NC HEX NUT 316 SS	4
444	0716468	LUG - GROUNDING	4
--	0907304	KIT - QUICK DISCONNECT AIR	
445	0301621	PRESSURE PROTECTION VLV.	1
446	0301946	FITTING, BLKHD CONNECT	1
447	0302123	HEX NIPPLE 4MP-4MP	1
448	0302125	PIPE, BUSHING 1/2MPT X 1/4FPT	1
449	0302534	FITTING, 45 DEG ELBOW	2
450	0302740	AIR HOSE, 1/2" SYNFLEX DOT	20
451	0303538	FITT, ADAPTER -BRASS 8FP-6MP	1
452	0303539	QUICK DISCONNECT 3/8 FPT	1
--	124002186	QUICK CONNECT AIR SUPPLY	
453	0302740	AIR HOSE, 1/2" SYNFLEX DOT	20
454	0311037	3/8" RED RUBER HOSE 50' PRECUT	1
455	0910488	FITTINGS BOX, QUICK CONN AIR	1
--	0910488	FITTINGS BOX, QUICK CONN AIR	
456	0301621	PRESSURE PROTECTION VLV.	1
457	0301946	FITTING, BLKHD CONNECT	1
458	0302123	HEX NIPPLE 4MP-4MP	1
459	0302125	PIPE, BUSHING 1/2MPT X 1/4FPT	1
460	0302534	FITTING, 45 DEG ELBOW	2
461	0303538	FITT, ADAPTER -BRASS 8FP-6MP	1

## Section I - PARTS (cont'd)

### PARTS LIST V-100 3-STAGE W/STD STINGER (cont'd)

ITEM	PART NUMBER	DESCRIPTION	QTY
--	0910488	FITTINGS BOX, QUICK CONN AIR (cont'd)	
462	0303539	QUICK DISCONNECT 3/8 FPT	1
463	0303540	NIPPLE, QUICK DISCONNECT 3/8	1
464	0303541	NIPPLE, QUICK DISCONNECT	1
465	0303542	QUICK DISCONNECT - BARB	1
--	945990400	DUAL CONTROL COMMON DECA	
466	0500554	FLAG, AMERICAN LT	2
467	0500686	DECAL - RETRACT CAUTION	2
468	0500773	DECAL PLATE-THROTTLE	2
--	945990400	DUAL CONTROL COMMON DECA (CONT'D)	
469	0501101	DECAL-CTRL CABLE SPEED	2
470	0501157	TAG-CAUTION WINCH CABLE DAMAGE	2
471	9033194	WARNING DECAL MOVING PAR	2
472	9033196	WARN.DECAL,DONT WALK UND	2
473	9033197	WARNING DECAL-CABLE TENS	2
474	9033198	DECAL-SAFETY CHAINS	2
475	9033212	NAME PLATE- VULCAN 4 X1	4
476	9033575	DECAL - REMOTE	2
477	9033576	DECAL - FREE SPOOL LH WINCH	2
478	9033577	DECAL - TENSIONER	2
479	9033578	DECAL - FREE SPOOL RH WI	2
480	9033579	DECAL - DUAL CONTROL UPP	1
481	9033580	DECAL - DUAL CONTROL LOW	1
482	9033581	DECAL - NEW VULCAN	2
483	9033586	DECAL DUAL CONTROL UPPER	1
484	9033587	DECAL DUAL CONTROL LOWER	1
485	920950009	DECAL - WARNING FOR STIF	2
--	0908209	KIT, MUDFLAP -VUL LWRK	
486	920400005	MUD FLAP BRACE PLATE	2
487	94320052	MUD FLAP 920-940 RUBBER	1
--	0911148	VULCAN HD ADDTL BOLT KIT	
488	0400431	3/4-10 NYLOK HEX GR 8 ZP	2
489	0400490	3/4 FLATWASHER GR 8	4
490	9044454	3/4-10NC X 7 LG HHCS GRD	2
--	946990200	V-100 DECALS	
491	9033583	DECAL - V100	2
492	9033603	DECAL WARNING V-100 BOOM	2
493	9033606	DECAL WARNING V-90, V-10	2
494	9033612	DECAL WARNING V-100 WINC	2











Miller Industries Towing Equipment Inc.  
8503 Hilltop Drive • Ooltewah, Tennessee 37363 • (423) 238-4171  
[www.millerind.com](http://www.millerind.com)