



OWNER'S MANUAL

600R

PARTS

NOTE: MANUAL including SPECIFICATIONS, subject to change without notice.
All ratings specified are based on structural factors only,
not vehicle capacities or capabilities.



Miller Industries Towing Equipment Inc.
8503 Hilltop Drive
Ooltewah, Tennessee 37363
Phone (423) 238-4171 • FAX (423) 238-5371

FORM NO. 0501688
01 / 2010
PRICE \$25.00

LIMITED WARRANTY

MILLER INDUSTRIES TOWING EQUIPMENT INC., hereinafter referred to as MILLER, warrants to the original purchaser that each new MILLER wrecker or other MILLER products will be free from defects in material and workmanship for a period of twelve (12) months from date placed in service, but in no event shall such warranty period exceed twenty-four (24) months from date of manufacture by MILLER. The purchaser must promptly notify MILLER in writing of any failure in material or workmanship. In no event shall MILLER accept such notification later than twenty-four (24) months from date of delivery or twelve (12) months from date placed in service, whichever is earlier.

MILLER's obligation under this warranty, statutory or otherwise, is limited to the repair or replacement at the MILLER factory, or at a point designated by MILLER, of such part or parts as shall appear upon inspection by MILLER to be defective in material or workmanship. New or remanufactured parts will be used for any replacement at MILLER's option. This warranty is not transferable. This warranty does not obligate MILLER to bear the cost of labor or transportation charges in connection with the repair or replacement of any parts found to be defective, nor shall it apply to a product upon which repairs or alterations have been made unless authorized by MILLER.

EXCEPT AS EXPRESSLY SET FORTH IN THIS WARRANTY, MILLER MAKES NO OTHER WARRANTY, EXPRESS OR IMPLIED, AND HEREBY DISCLAIMS ALL OTHER WARRANTIES INCLUDING, BUT NOT LIMITED TO, THE IMPLIED WARRANTIES OF MERCHANTABILITY AND FITNESS FOR A PARTICULAR PURPOSE. MILLER shall in no event be liable for claimed downtime, claimed loss of profits or goodwill, or any other special, incidental, indirect, or consequential damages concerning or relating to any product or parts, whether based on negligence, strict liability, breach of contract, breach of warranty, misrepresentation or any other legal theory, regardless of whether the loss resulted from any general or particular requirement which MILLER knew or had reason to know about at the time of sale.

MILLER MAKES NO WARRANTY, EXPRESS OR IMPLIED, AS TO THE FINISHED PRODUCTS MANUFACTURED OR SUPPLIED BY ANOTHER MANUFACTURER AND SUPPLIED BY MILLER TO PURCHASER, including, but not limited to, any vehicle to which a MILLER product may be affixed or any accessories or wire rope, and MILLER EXPRESSLY DISCLAIMS ANY IMPLIED WARRANTIES OF MERCHANTABILITY OR FITNESS FOR A PARTICULAR PURPOSE AS TO SUCH EQUIPMENT OR PRODUCTS. This language shall in no way affect or diminish the rights of the purchaser to rely on such warranties as are extended by such manufacturers or suppliers. MILLER shall, to the extent permitted under applicable law, pass on to the purchaser such manufacturer's or seller's warranty.

MILLER, whose policy is one of continuous improvement, reserves the right to improve its products through changes in design or materials as it may deem desirable without being obligated to incorporate such changes in products previously sold. This warranty is not intended to cover or include the following items, which are set forth by way of example and not limitation:

- A. Normal deterioration of trim, paint, lettering, and appearance items due to wear or exposure to weather, road conditions, road treatments, etc.
- B. Any damage or defect due to accident, misuse, abuse, improper or unauthorized repairs, failure to provide reasonable and necessary maintenance, or uses for which the equipment was not designed or intended.
- C. Alterations or modifications that affect performance, operation or reliability.
- D. Normal maintenance parts including, but not limited to, wear pads, bushings, wire rope, mud flaps, fenderettes, light bulbs, hydraulic oil, filters, and tow sling belts.

IT IS EXPRESSLY UNDERSTOOD THAT MILLER MAKES NO IMPLIED WARRANTY THAT MILLER PRODUCTS SHALL BE FIT FOR THE PURPOSE OF LIFTING OR MOVING PEOPLE OR FOR ANY OTHER IMPROPER USE.



Miller Industries Towing Equipment Inc.
8503 Hilltop Drive
Ooltewah, Tennessee 37363
Telephone (423) 238-4171

SERIAL NUMBER

OWNER, USER AND OPERATOR:

We appreciate your choice of our towing and recovery unit for your application. Our number one priority is user safety which is best achieved by our joint efforts. We feel that you can make a major contribution to safety if you, as the equipment owner and operator:

1. **Comply with Federal, State, and Local Regulations.**
2. **Read, Understand, and Follow the Instructions in this Manual.**
3. **Use Good, Safe Work Practices in a Common Sense Way.**
4. **Only have Authorized and Trained Personnel performing maintenance on the Towing and Recovery Unit.**

TABLE OF CONTENTS

It is assumed by the manufacturer that the Owner/Operator has a thorough knowledge of the accepted and lawful retrieval and towing methods as dictated by his city, county or state. The manufacturer rejects any liability claim that may result from the incorrect or unlawful application of its equipment.

Section I - PARTS

| | |
|---|--------------|
| SUBFRAME ASSEMBLY | I-2 thru I-5 |
| BODY ASSEMBLY | I-6 & I-7 |
| UNDERLIFT ASSEMBLY | I-8 & I-9 |
| UNDERLIFT HOSE TENSIONER ASSEMBLY | I-10 & I-11 |
| CROSSBAR & OUTER CROSSTUBE ASSEMBLY | I-12 & I-13 |
| UNDERLIFT LIFT HYDRAULICS | I-14 & I-15 |
| UNDERLIFT TILT & EXTEND HYDRAULICS | I-16 & I-17 |
| 600R RECOVERY FRAME ASSEMBLY | I-18 & I-19 |
| 600R RECOVERY BOOM ASSEMBLY | I-20 & I-21 |
| 600R RECOVERY BOOM HYDRAULICS | I-22 & I-23 |
| PUMP, VALVE & FILTER HYDRAULICS | I-24 & I-25 |
| CONTROL ASSEMBLY | I-26 & I-27 |
| MANUAL IN/OUT FRONT OUTRIGGER ASSEMBLY | I-28 & I-29 |
| MANUAL IN/OUT FRONT OUTRIGGER HYDRAULICS | I-30 & I-31 |
| HYDRAULIC IN/OUT FRONT OUTRIGGER ASSEMBLY | I-32 & I-33 |
| HYDRAULIC IN/OUT FRONT OUTRIGGER HYDRAULICS | I-34 & I-35 |
| REAR OUTRIGGER ASSEMBLY | I-36 & I-37 |
| REAR OUTRIGGER HYDRAULICS | I-38 & I-39 |
| BOOM SWIVEL ASSEMBLY | I-40 |
| HYDRAULIC CYLINDERS | I-41 |

Section VI - PARTS

This Section is provided by the manufacturer for the purpose of ordering any component part of the **Holmes 600R** that may be required when part replacement is necessary. Be certain to use only original equipment replacement parts for warranty purposes as well as for keeping your unit in its original state and optimum operating capacities.

When ordering replacement or spare parts be sure to provide the following information to the manufacturer's **Parts Department**.

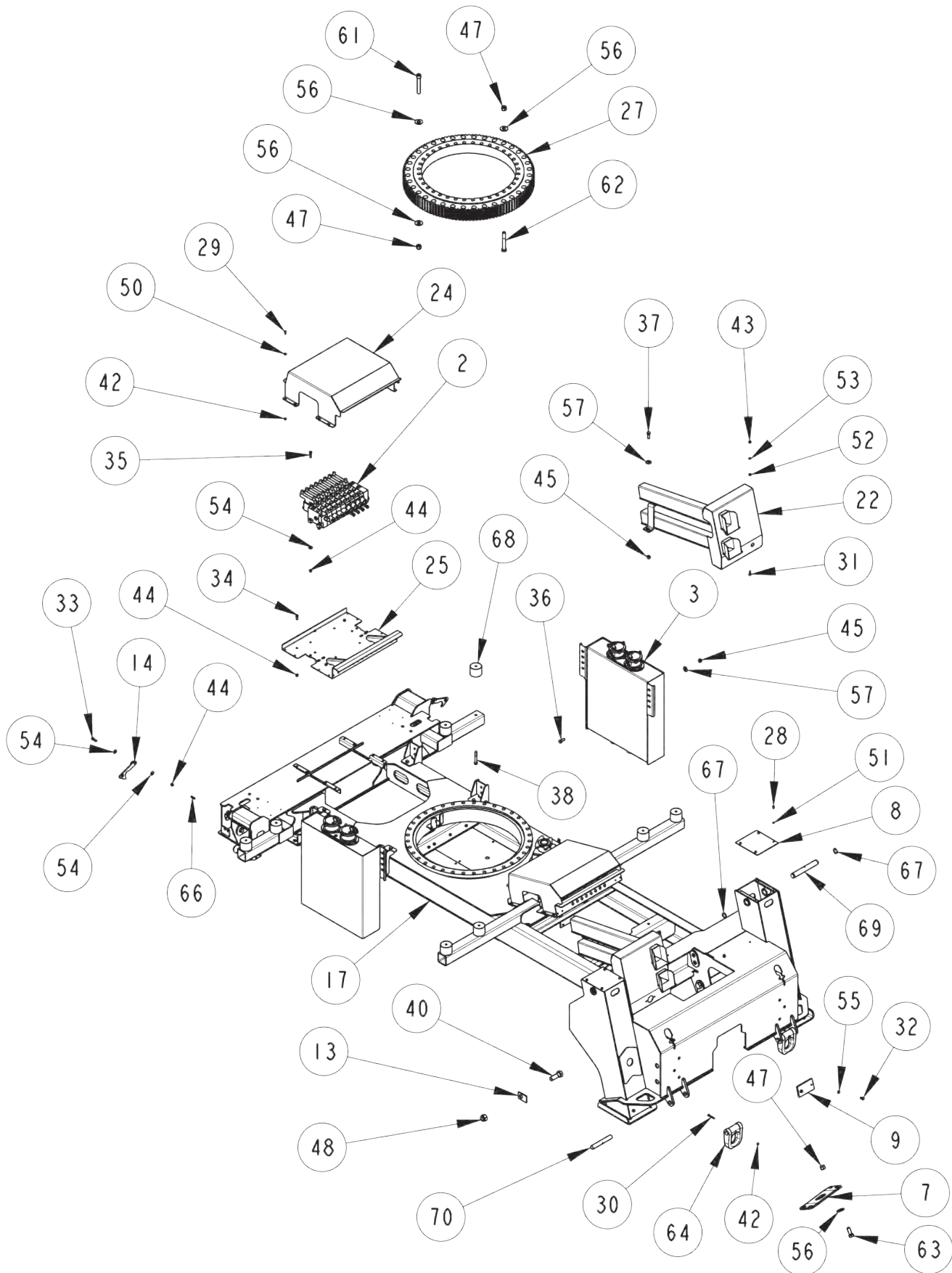
1. **Manual Number & Date of Publication**
2. **Manual Page Number**
3. **Page Title**
4. **Reference Number of Part Desired**
5. **Part Number**
6. **Part Description**
7. **Quantity of Part Desired**

Providing this information will help ensure that the correct parts will be delivered to you in an expedient manner without delay. Should additional information be required for repair or replacement of certain components, contact your Wrecker Manufacturer Authorized Representative.

The Manufacturer reserves the right, without notice or obligation, to improve or modify their products, which may change the specifications, models and feature availability.

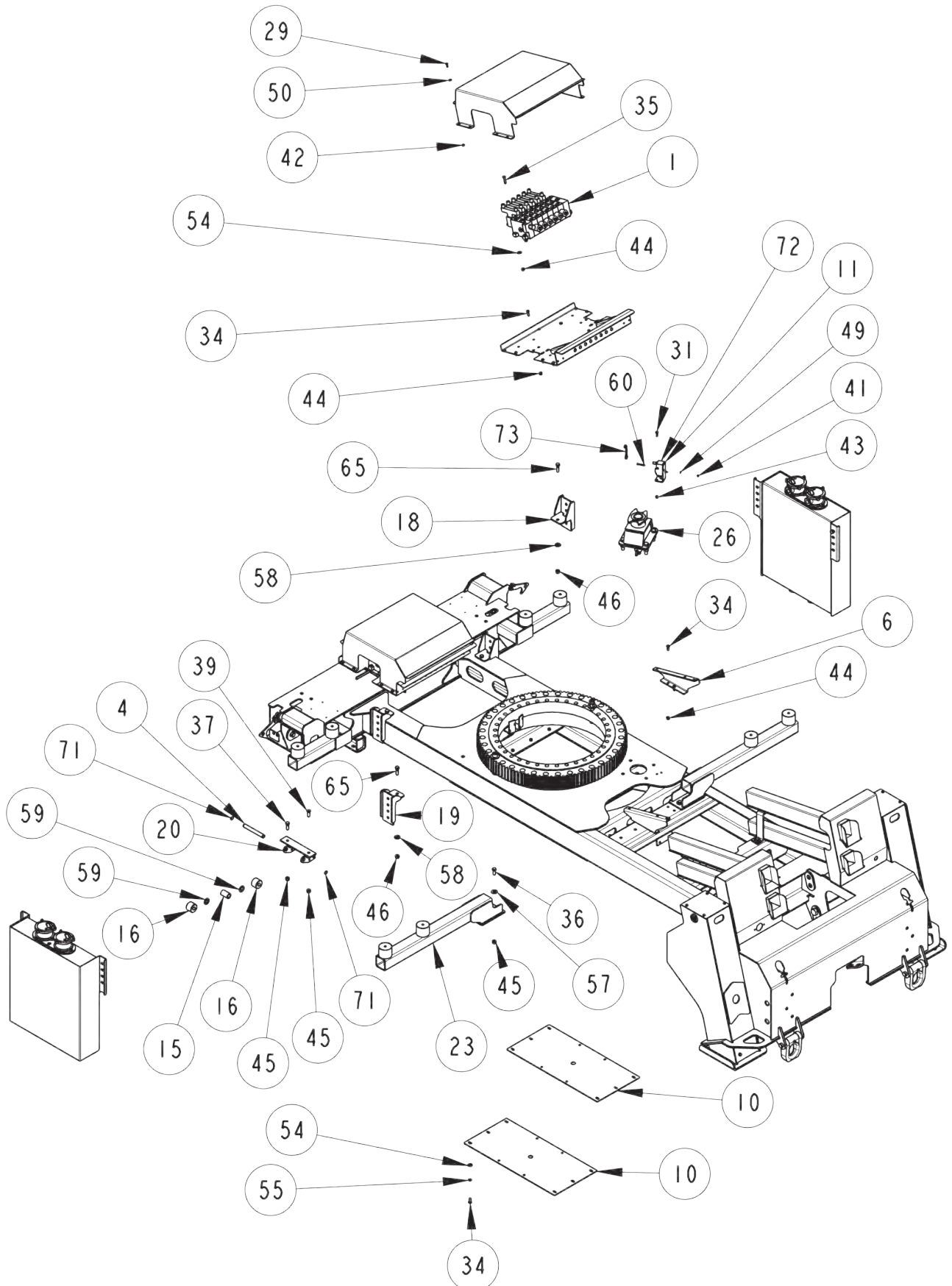
Section I - PARTS (cont'd)

SUBFRAME ASSEMBLY



Section I - PARTS (cont'd)

SUBFRAME ASSEMBLY



Section I - PARTS (cont'd)

SUBFRAME ASSEMBLY (cont'd)

| ITEM | PART NUMBER | DESCRIPTION | QTY |
|------|-------------|------------------------------------|-----|
| 1 | 512-086601 | CONTROL VALVE, P70CF-06-US15-149 | 1 |
| 2 | 512-088301 | CONTROL VALVE, P70CF-06-US15-148 | 1 |
| 3 | 3012-980100 | HYDRAULIC TANK ASSY | 2 |
| 4 | 3116-700007 | PIN - FRONT OUTRIGGER OUTER ROLLER | 2 |
| 5 | 3116-710021 | LH DCV MTG. CHANNEL | 1 |
| 6 | 3116-710022 | RH DCV MTG. CHANNEL | 1 |
| 7 | 3116-710024 | TIE PLATE - JACKLEG / TILT COLUMN | 1 |
| 8 | 3116-710025 | COVER - JACK LEG | 2 |
| 9 | 3116-710026 | SPACER PLATE - REAR JACK LEG | 4 |
| 10 | 3116-710027 | BOTTOM SLEW COVER PANEL | 2 |
| 11 | 3116-710028 | CENTERING SWITCH MTG. ANGLE | 1 |
| 12 | 3116-710030 | 1/4" SHIM PLATE - U/L ASSEMBLY | 1 |
| 13 | 3116-710031 | 3/16" SHIM PLATE - U/L ASSEMBLY | 1 |
| 14 | 3116-710032 | LATCH PLATE | 2 |
| 15 | 3116-710502 | ROLLER SPACER | 2 |
| 16 | 3116-716001 | ROLLER - FRONT OUTRIGGER ASSY | 4 |
| 17 | 3116-810000 | SUBFRAME WELDMENT | 1 |
| 18 | 3116-810200 | RH HYD TANK MTG. BRACKET WELD'T | 2 |
| 19 | 3116-810300 | LH HYD. TANK MTG. BRACKET WELD'T | 2 |
| 20 | 3116-810500 | OUTSIDE ROLLER BRACKET WELD'T | 2 |
| 21 | 3116-818000 | LH RETAINER BRACKET WELD'T | 1 |
| 22 | 3116-818100 | RH RETAINER BRACKET WELD'T | 1 |
| 23 | 3116-819000 | REAR BODY MTG. BRACKET WELD'T | 2 |
| 24 | 3116-819200 | DCV COVEFR PANEL WELD'T | 2 |
| 25 | 3116-819500 | VALVE PAN WELDMENT | 2 |
| 26 | 3116-919100 | SLEW LOCK ASSEMBLY | 1 |
| 27 | 0307650 | BEARING ASSEMBLY | 1 |
| 28 | 0400060 | 1/4-20 X 1/2 LG. HHCS GR.5 | 8 |
| 29 | 0400066 | 1/4-20 X 3/4 HHCS GR.5,ZP | 16 |
| 30 | 0400078 | 1/4-20 X 2 HHCS GR5 ZP | 2 |
| 31 | 0400109 | 5/16-18 X 1 HHCS GR.5,ZP | 2 |
| 32 | 0400121 | 3/8-16NC X 3/4 HHCS GR. B | 8 |
| 33 | 0400122 | 3/8-16 X 1 1/4 HHCS GR.5,ZP | 2 |
| 34 | 0400126 | 3/8-16 X 1 HHCS GR.5,ZP | 28 |
| 35 | 0400132 | 3/8-16 X 1 1/2 HHCS GR.5,ZP | 6 |
| 36 | 0400177 | 1/2-13 X 1 1/4 HHCS GR. 5, ZP | 5 |

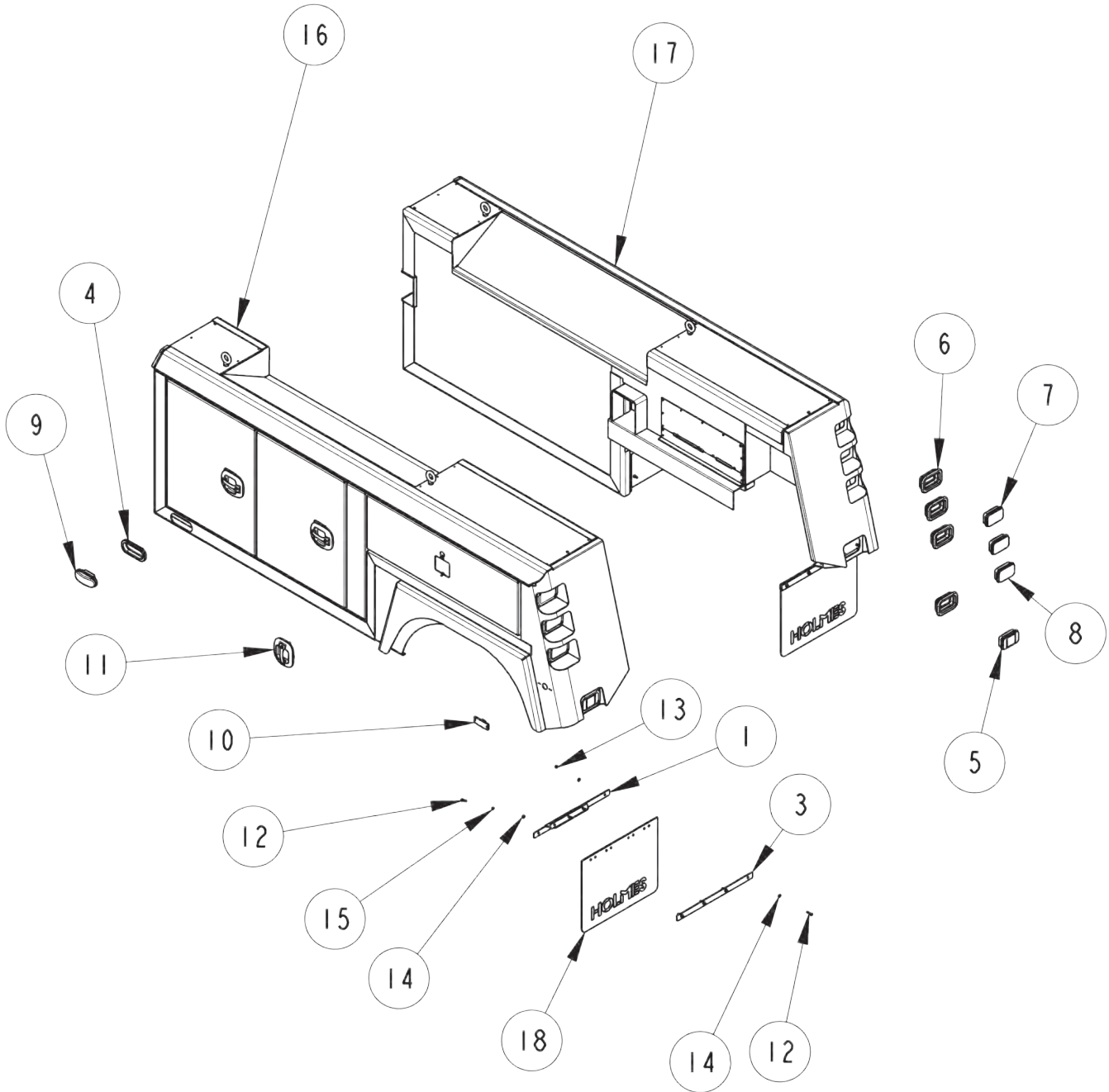
Section I - PARTS (cont'd)

SUBFRAME ASSEMBLY (cont'd)

| ITEM | PART NUMBER | DESCRIPTION | QTY |
|------|-------------|--|-----|
| 37 | 0400181 | 1/2-13 X 1-1/2 HHCS GR 5 ZP | 3 |
| 38 | 0400186 | 1/2-13 X 3-1/2 HHCS GR 5 ZP | 8 |
| 39 | 0400193 | 1/2-13 X 1-1/2 FLAT HEAD SKT CAP SCREW | 2 |
| 40 | 0400336 | 1-8 X 3 HHCS GR8 ZP | 2 |
| 41 | 0400357 | #10-32 NYLOCK HEX NUT ZP | 2 |
| 42 | 0400367 | 1/4-20 NYLOCK HEX NUT ZP | 18 |
| 43 | 0400382 | 5/16-18 NYLOCK HEX NUT ZP | 6 |
| 44 | 0400392 | 3/8-16 NYLOCK HEX NUT ZP | 25 |
| 45 | 0400408 | 1/2-13 NYLOCK HEX NUT ZP | 10 |
| 46 | 0400416 | 1/2-13 NYLOCK HEX NUT GR.8, ZP | 4 |
| 47 | 0400431 | 3/4-10 NYLOCK HEX NUT GR.8, ZP | 3 |
| 48 | 0400443 | 1-8 NYLOCK HEX NUT GR.8 ZP | 2 |
| 49 | 0400450 | #10 FLATWASHER SAE ZP | 2 |
| 50 | 0400451 | 1/4 FLAT WASHER ZP | 16 |
| 51 | 0400452 | 1/4 HELICAL LOCK WASHER ZP | 8 |
| 52 | 0400463 | 5/16 FLAT WASHER ZP | 4 |
| 53 | 0400464 | 5/16 HELICAL LOCK WASHER ZP | 4 |
| 54 | 0400480 | 3/8 FLAT WASHER ZP | 22 |
| 55 | 0400482 | 3/8 HELICAL LOCK WASHER ZP | 20 |
| 56 | 0400490 | 3/4 FLAT WASHER GR.8 | 4 |
| 57 | 0400492 | 1/2 FLAT WASHER ZP | 6 |
| 58 | 0400497 | 1/2 FLAT WASHER GR.8,YZ PLATED | 4 |
| 59 | 0400510 | 3/4 FLAT WASHER ZP | 4 |
| 60 | 0400759 | #10-32 X 1-3/4" PAN HEAD SCREW | 2 |
| 61 | 0400760 | 3/4-10 X 5 SOCK.HD.CAP SCREW GR.8 | 1 |
| 62 | 0400763 | 3/4-10 X 5-1/4 LG. HHCS GR.8 | 1 |
| 63 | 0401021 | 3/4-10 X 2 HHCS GR.8 ZP | 1 |
| 64 | 0712380 | "D" RING | 2 |
| 65 | 9041404 | 1/2-13 X 1-3/4 LG. HHCS GR.8 | 4 |
| 66 | 9046363 | SPRING PIN, 5/16" X 1-1/4" | 2 |
| 67 | 9056125 | SNAP RING - 1-1/4" HEAVY DUTY | 4 |
| 68 | 9402970 | TOOLBOX MTG. PAD | 8 |
| 69 | 810350002 | PIN, UPPER TILT CYLINDER | 2 |
| 70 | BA0259 | PIN, 'D' RING | 2 |
| 71 | HD0160 | SNAP RING, 3/4" EXTERNAL | 4 |
| 72 | HE0239 | LIMIT SWITCH, DOOR | 1 |
| 73 | HE0240 | ARM, LIMIT SWITCH1 | |

Section I - PARTS (cont'd)

BODY ASSEMBLY



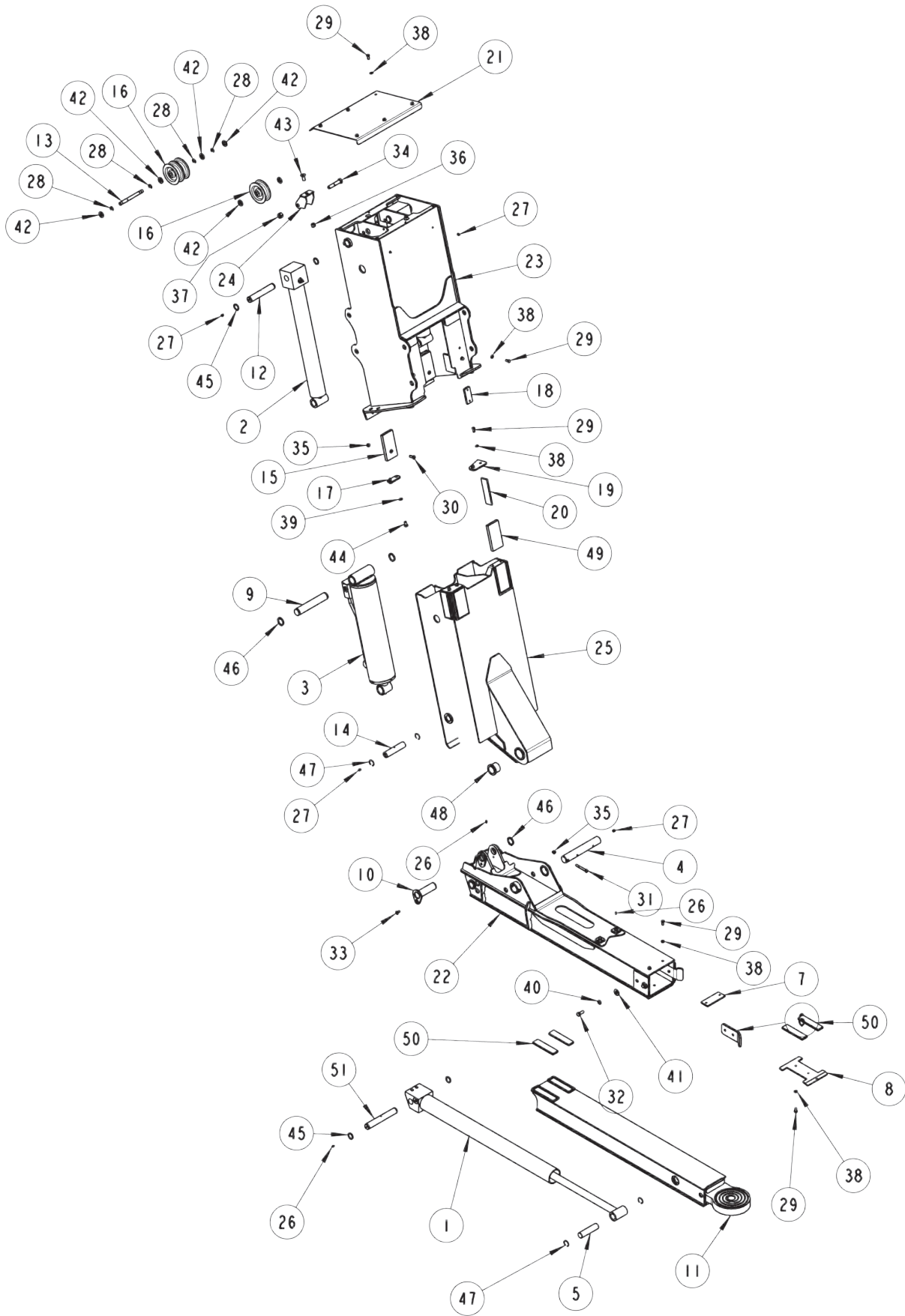
Section I - PARTS (cont'd)

BODY ASSEMBLY

| ITEM | PART NUMBER | DESCRIPTION | QTY |
|------|-------------|--------------------------------|-----|
| 1 | 3116-780004 | LH MUD FLAP BRACKET | 1 |
| 2 | 3116-780005 | RH MUD FLAP BRACKET | 1 |
| 3 | 3116-780006 | PLATE-MUD FLAP BACKING | 2 |
| 4 | 0303128 | GROMMET, TAIL LIGHT | 2 |
| 5 | 0306684 | LIGHT, BACKUP | 2 |
| 6 | 0306685 | GROMMET, LED LIGHT 45 STT | 8 |
| 7 | 0307215 | LED LIGHT, RED 45 STT | 4 |
| 8 | 0307216 | LED LIGHT, AMBER 45 REAR TURN | 2 |
| 9 | 0307220 | LIGHT OVAL AMBER 60 LED | 2 |
| 10 | 0307538 | LIGHT, MARKER - RED 4.5 X 1.63 | 2 |
| 11 | 0311026 | DOOR LATCH | 6 |
| 12 | 0400103 | 5/16-18 X 1 1/4 HHCS GR.5, ZP | 14 |
| 13 | 0400382 | 5/16-18 NYLOCK HEX NUT ZP | 8 |
| 14 | 0400463 | 5/16 FLAT WASHER ZP | 22 |
| 15 | 0400464 | 5/16 HELICAL LOCK WASHER ZP | 6 |
| 16 | 3116-870000 | BODY, LH WELDMENT ALUMINUM | 1 |
| 17 | 3116-871000 | BODY, RH WELDMENT ALUMINUM | 1 |
| 18 | GO-138B | MUDFLAP | 2 |

Section I - PARTS (cont'd)

UNDERLIFT ASSEMBLY



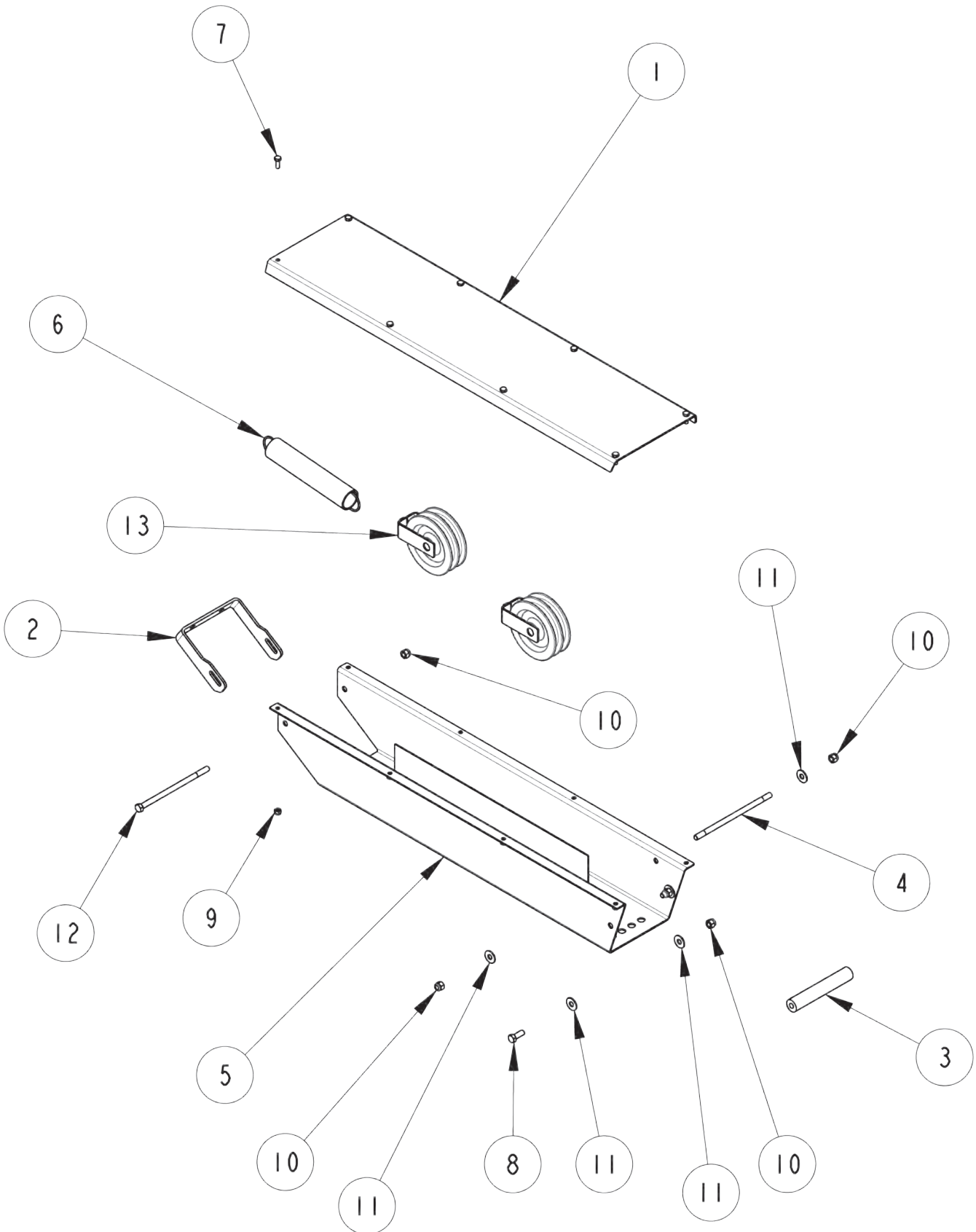
Section I - PARTS (cont'd)

UNDERLIFT ASSEMBLY

| ITEM | PART NUMBER | DESCRIPTION | QTY |
|------|--------------|---------------------------------------|-----|
| 1 | 511-3000002 | CYL,- STINGER EXTEND | 1 |
| 2 | 511-3000004 | CYLINDER ~ 3" BORE / 1-1/2" ROD | 2 |
| 3 | 511-5000001 | CYL - STINGER TILT | 1 |
| 4 | 3012-7000002 | PIN - STINGER | 1 |
| 5 | 3012-7000003 | PIN - UL EXT (ROD) | 1 |
| 6 | 3012-7940002 | PLATE - XBAR POSITIONING | 2 |
| 7 | 3012-7940003 | BAR - SPACER | 1 |
| 8 | 3012-7940004 | PLATE - UL PAD CAGE | 1 |
| 9 | 3014-7000002 | PIN - FOLD (BASE) | 1 |
| 10 | 3014-801000 | PIN WELDMENT | 1 |
| 11 | 3014-850000 | U/L INNER BOOM WELD'T | 1 |
| 12 | 3116-7000001 | PIN - STINGER UPPER LIFT | 2 |
| 13 | 3116-7000002 | PIN - HOSE SHEAVE ASSY | 1 |
| 14 | 3116-7000003 | PIN - STINGER UPPER LIFT | 2 |
| 15 | 3116-7400001 | PAD | 2 |
| 16 | 3116-7490001 | SHEAVE - HOSE TENSIONER ASSY | 3 |
| 17 | 3116-7490002 | PLATE - PAD RETAINER OUTER TILT | 2 |
| 18 | 3116-7490003 | SPACER PLATE - OUTER TILT COLUMN | 2 |
| 19 | 3116-7490004 | PLATE - PAD RETAIN INNER TLT COL | 2 |
| 20 | 3116-7490005 | SIDE WEAR PAD -INNER TILT COLUMN ASSY | 2 |
| 21 | 3116-7490006 | COVER - OUTER COLUMN | 1 |
| 22 | 3116-840000 | OUTER STINGER WELDMENT | 1 |
| 23 | 3116-842000 | OUTER TILT COLUMN WELDMENT | 1 |
| 24 | 3116-842100 | FIXED SHEAVE BRACKET WELD'T | 1 |
| 25 | 3116-845000 | INNER TILT COLUMN WELDMENT | 1 |
| 26 | 0300113 | GREASE FITTING, 1/4-28 STRAIGHT | 5 |
| 27 | 0301895 | GREASE FITTING, 1/8 NPT STRAIGHT | 7 |
| 28 | 0307655 | RETAINING RING - EXT. #5133-62 | 4 |
| 29 | 0400121 | 3/8-16NC X 3/4 HHCS GR. B | 18 |
| 30 | 0400128 | 3/8-16X1.25 FLAT HD SOC | 2 |
| 31 | 0400133 | 3/8-16 X 3 HHCS GR.5,ZP | 1 |
| 32 | 0400218 | 1/2-13 X 1-1/4 HHCS GR. 5 ZP | 4 |
| 33 | 0400223 | 3/8-16 X 3/4 FL. HD. SOCKET SCREW | 1 |
| 34 | 0400257 | 5/8-11 X 3-1/4 HHCS GR5 ZP | 1 |
| 35 | 0400392 | 3/8-16 NYLOCK HEX NUT ZP | 3 |
| 36 | 0400408 | 1/2-13 NYLOCK HEX NUT ZP | 1 |
| 37 | 0400421 | 5/8-11 NYLOCK HEX NUT ZP | 1 |
| 38 | 0400482 | 3/8 HELICAL LOCK WASHER ZP | 18 |
| 39 | 0400487 | 7/16 HELICAL LOCK WASHER ZP | 4 |
| 40 | 0400491 | 1/2 HELICAL LOCK WASHER ZP | 4 |
| 41 | 0400492 | 1/2 FLAT WASHER ZP | 4 |
| 42 | 0400505 | 5/8 FLAT WASHER SAE | 6 |
| 43 | 0400991 | SCREW - 1/2-13 X 1-1/4 FHSS | 1 |
| 44 | 9041353 | 7/16-20 UNF X 3/4 LG. HHCS | 4 |
| 45 | 9056125 | SNAP RING - 1-1/4" HEAVY DUTY | 6 |
| 46 | 9056150 | RETAINING RING, 1-1/2" | 3 |
| 47 | 9057125 | SNAP RING, 1-1/4" NOM INTERNAL | 6 |
| 48 | 806510001 | BEARING-FLANGED | 2 |
| 49 | 880060004 | WEAR PAD | 2 |
| 50 | 896040002 | NYLATRON PAD | 4 |
| 51 | 897400001 | PIN-FRONT-BOOM EXT. | 1 |

Section I - PARTS (cont'd)

UNDERLIFT HOSE TENSIONER ASSEMBLY



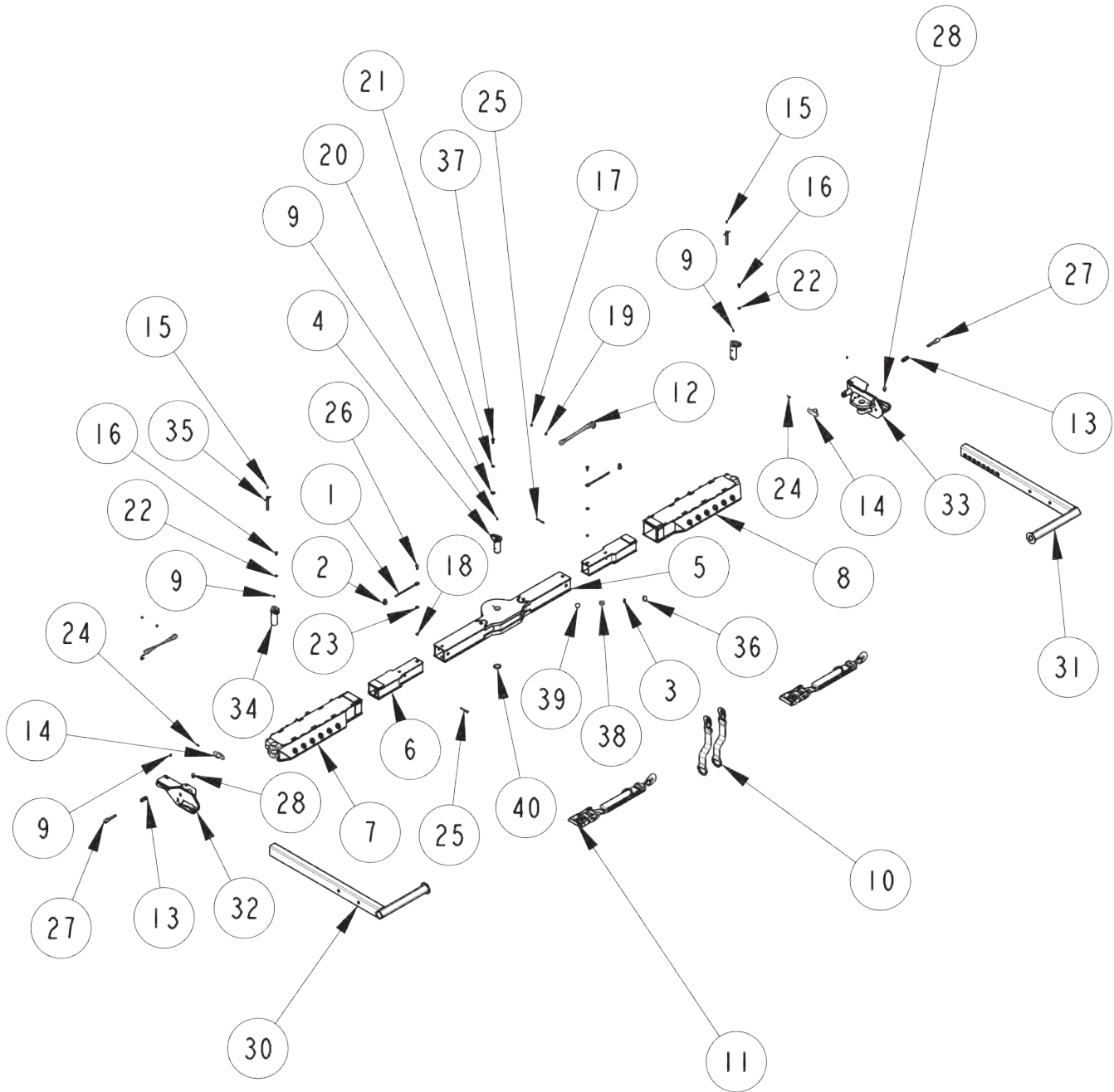
Section I - PARTS (cont'd)

UNDERLIFT HOSE TENSIONER ASSEMBLY

| ITEM | PART NUMBER | DESCRIPTION | QTY |
|------|-------------|-------------------------------|-----|
| 1 | 3116-744002 | COVER - HOSE TENSIONER ASSY | 1 |
| 2 | 3116-744003 | SUPPORT CHANNEL | 1 |
| 3 | 3116-744004 | TENSION ROLLER | 1 |
| 4 | 3116-744005 | ROLLER SHAFT | 1 |
| 5 | 3116-844300 | HOSE TENSIONER CHANNEL WELD'T | 1 |
| 6 | 0307115 | SPRING, EXTENSION EXPRESS | 1 |
| 7 | 0400066 | 1/4-20 X 3/4 HHCS GR.5,ZP | 8 |
| 8 | 0400126 | 3/8-16 X 1 HHCS GR.5,ZP | 2 |
| 9 | 0400367 | 1/4-20 NYLOCK HEX NUT ZP | 8 |
| 10 | 0400392 | 3/8-16 NYLOCK HEX NUT ZP | 5 |
| 11 | 0400480 | 3/8 FLAT WASHER ZP | 6 |
| 12 | 0400758 | 3/8-16 X 7 LG. HHCS GR.5 | 1 |
| 13 | 810041500 | TENSIONER BRACKET WELDMENT | 2 |

Section I - PARTS (cont'd)

UNDERLIFT CROSSBAR & OUTER CROSSTUBE ASSEMBLY



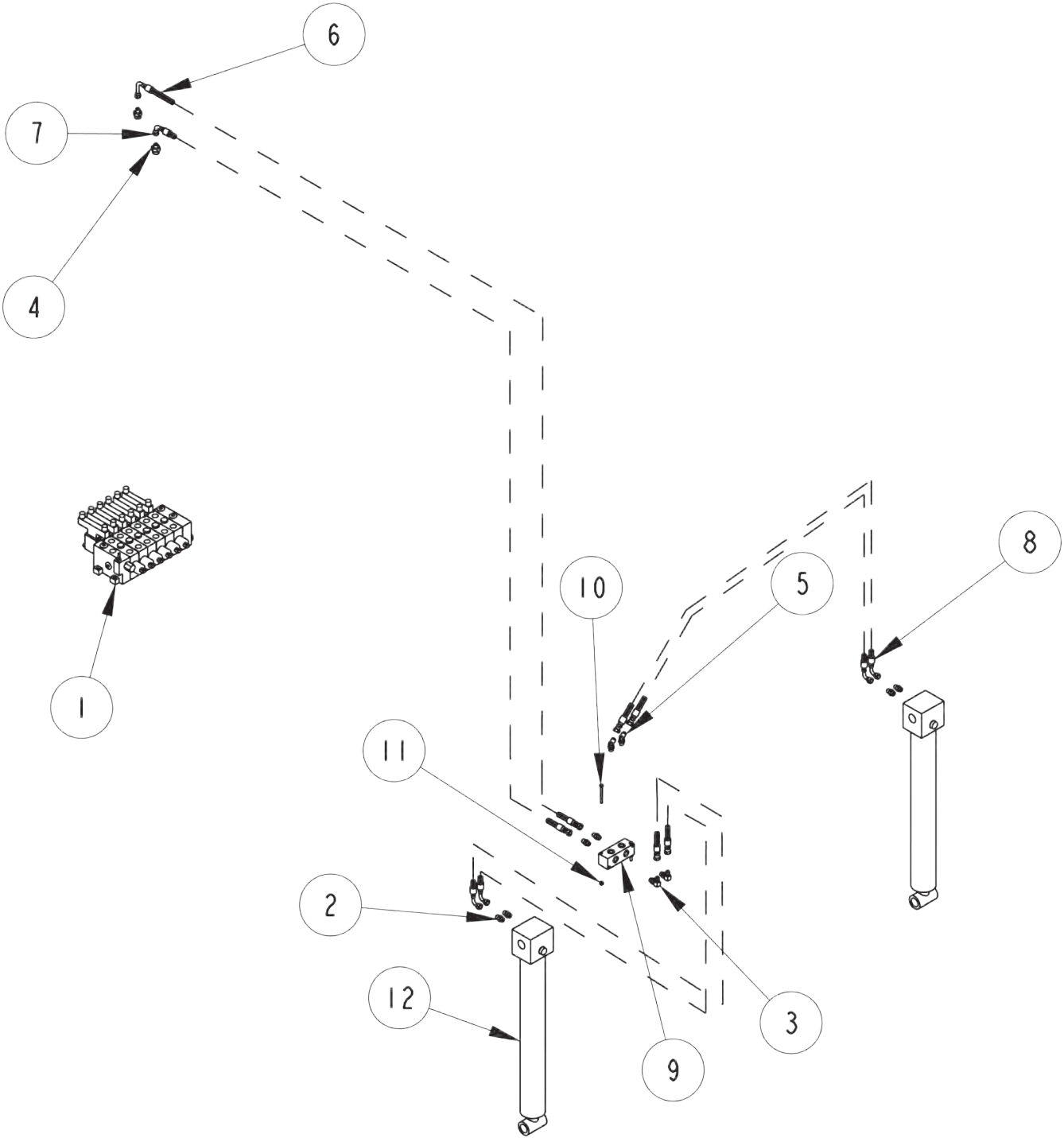
Section I - PARTS (cont'd)

UNDERLIFT CROSSBAR & OUTER CROSSTUBE ASSEMBLY

| ITEM | PART NUMBER | DESCRIPTION | QTY |
|------|-------------|----------------------------------|-----|
| 1 | 568-0480001 | SPRING- CROSSBAR END | 2 |
| 2 | 3014-760107 | PIN - RETAINING | 2 |
| 3 | 3014-796005 | SPACER, CROSSBAR DIE SPRING | 1 |
| 4 | 3014-801100 | PIN - CROSSBAR | 1 |
| 5 | 3014-860000 | CROSSBAR-FABRICATED | 1 |
| 6 | 3014-860100 | EXTENSION BRKT - XBAR | 2 |
| 7 | 3014-860600 | CROSSTUBE- OUTER | 1 |
| 8 | 3014-860700 | CROSSTUBE- OUTER | 1 |
| 9 | 0300113 | GREASE FITTING, 1/4-28 STRAIGHT | 5 |
| 10 | 0301681 | TIRE RESTRAINT BELT EXTENSION | 2 |
| 11 | 0301682 | TIRE RESTRAINT BELT ASSEMBLY | 2 |
| 12 | 0301956 | STRAP, RUBBER 10" W/S-HOOK | 2 |
| 13 | 0302641 | SPRING - HOSE TENSIONER | 2 |
| 14 | 0302648 | T HANDLE | 2 |
| 15 | 0400044 | DRIVE SCREW, #10-24 X 1/2" RD HD | 4 |
| 16 | 0400349 | SCREW, 3/8"-16 X 3/4" FL HD SKT | 2 |
| 17 | 0400367 | 1/4-20 NYLOCK HEX NUT ZP | 2 |
| 18 | 0400398 | 3/8-16 NYLOCK HALF-NUT ZP | 2 |
| 19 | 0400451 | 1/4 FLAT WASHER ZP | 2 |
| 20 | 0400480 | 3/8 FLAT WASHER ZP | 1 |
| 21 | 0400482 | 3/8 HELICAL LOCK WASHER ZP | 1 |
| 22 | 0400483 | LOCKWASHER, 3/8" COUNTERSUNK | 2 |
| 23 | 0400485 | 3/8 SAE FLATWASHER GR8 | 2 |
| 24 | 0400559 | 3/16 X 1 ROLL PIN ZP | 2 |
| 25 | 0400629 | SCREW, 1/4"-20 X 3/4" FL SKT HD | 2 |
| 26 | 0400980 | 3/8"-16 X 1" FL HD SKT CAP SCREW | 2 |
| 27 | 0707505 | PLUNGER PIN | 2 |
| 28 | 0712933 | ALIGNMENT PIN | 2 |
| 29 | 0714415 | PIN | 2 |
| 30 | 0803641 | TIRE RESTRAINT WELDMENT, LH | 1 |
| 31 | 0803642 | TIRE RESTRAINT WELDMENT, LH | 1 |
| 32 | 0807485 | L ARM RECIVER (LH) | 1 |
| 33 | 0807486 | L ARM RECIVER (RH) | 1 |
| 34 | 0807504 | PIVOT SHAFT | 2 |
| 35 | 0904744 | PIN ASSEMBLY | 2 |
| 36 | 9012944 | PIPE PLUG, 1" NPT SKT HD | 1 |
| 37 | 9041205 | 3/8-16 X 1 LG. HHCS GR.8 | 1 |
| 38 | 9047057 | DETENT SPRING | 1 |
| 39 | 9052013 | BALL, 1" CHROME | 1 |
| 40 | 9056150 | RETAINING RING, 1-1/2" | 1 |
| 41 | HD0107 | SPRING PIN, 3/16 X 2 | 2 |

Section I - PARTS (cont'd)

UNDERLIFT LIFT HYDRAULICS



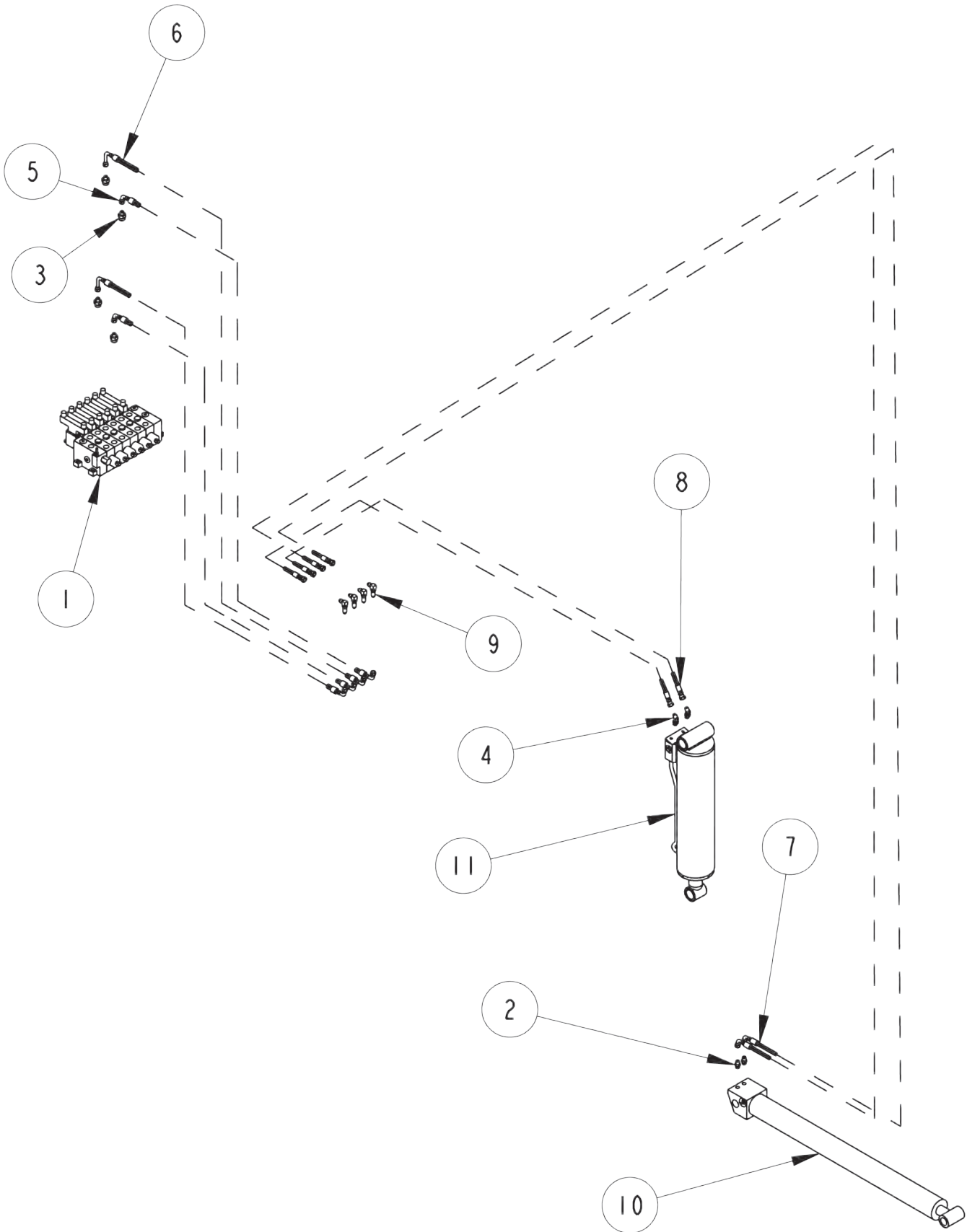
Section I - PARTS (cont'd)

UNDERLIFT LIFT HYDRAULICS

| ITEM | PART NUMBER | DESCRIPTION | QTY |
|------|-------------|----------------------------------|-----|
| 1 | 512-086601 | CONTROL VALVE, P70CF-06-US15-149 | 1 |
| 2 | 0301522 | CONNECTOR 6MJ-6MB | 6 |
| 3 | 0301620 | FITTING, ELBOW, 6MJ-6MB90 | 2 |
| 4 | 0301778 | CONNECTOR 6MJX10MB | 2 |
| 5 | 0302509 | ELBOW, 6MJ-6MB90 | 2 |
| 6 | 0302586 | HOSE ASSY - 54" LG | 1 |
| 7 | 0302604 | HOSE ASSY - 44" LG | 1 |
| 8 | 0302806 | HOSE ASSY - 18" LG | 4 |
| 9 | 0306700 | MANIFOLD BLOCK | 1 |
| 10 | 0400073 | 1/4-20 X 2 3/4 HHCS GR5 ZP | 2 |
| 11 | 0400367 | 1/4-20 NYLOCK HEX NUT ZP | 2 |
| 12 | 511-3000004 | CYL, STINGER LIFT | 2 |

Section I - PARTS (cont'd)

UNDERLIFT TILT & EXTEND HYDRAULICS



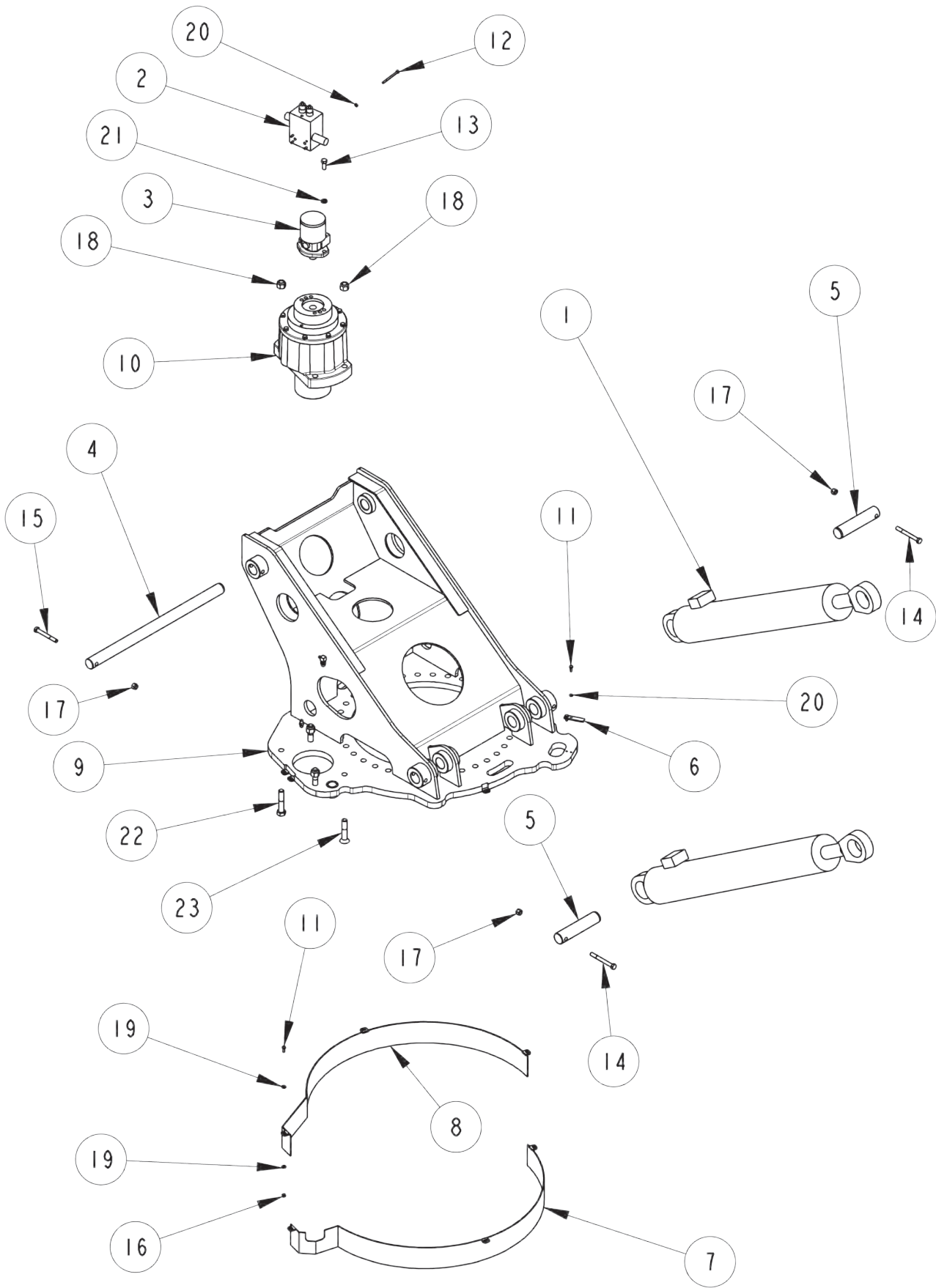
Section I - PARTS (cont'd)

UNDERLIFT TILT & EXTEND HYDRAULICS

| ITEM | PART NUMBER | DESCRIPTION | QTY |
|------|-------------|----------------------------------|-----|
| 1 | 512-086601 | CONTROL VALVE, P70CF-06-US15-149 | 1 |
| 2 | 0301522 | CONNECTOR 6MJ-6MB | 2 |
| 3 | 0301778 | CONNECTOR 6MJX10MB | 4 |
| 4 | 0302509 | ELBOW, 6MJ-6MB90 | 2 |
| 5 | 0307669 | HOSE ASSY - 60" LG | 2 |
| 6 | 0307670 | HOSE ASSY - 60" LG | 2 |
| 7 | 0310088 | HOSE ASSY - 108" LG | 2 |
| 8 | 0310089 | HOSE ASSY - 51" LG | 2 |
| 9 | FC41 | ELBOW - BULKHEAD | 4 |
| 10 | 511-3000002 | CYL, STINGER EXTEND | 1 |
| 11 | 511-5000001 | CYL, STINGER TILT | 1 |

Section I - PARTS (cont'd)

RECOVERY FRAME ASSEMBLY



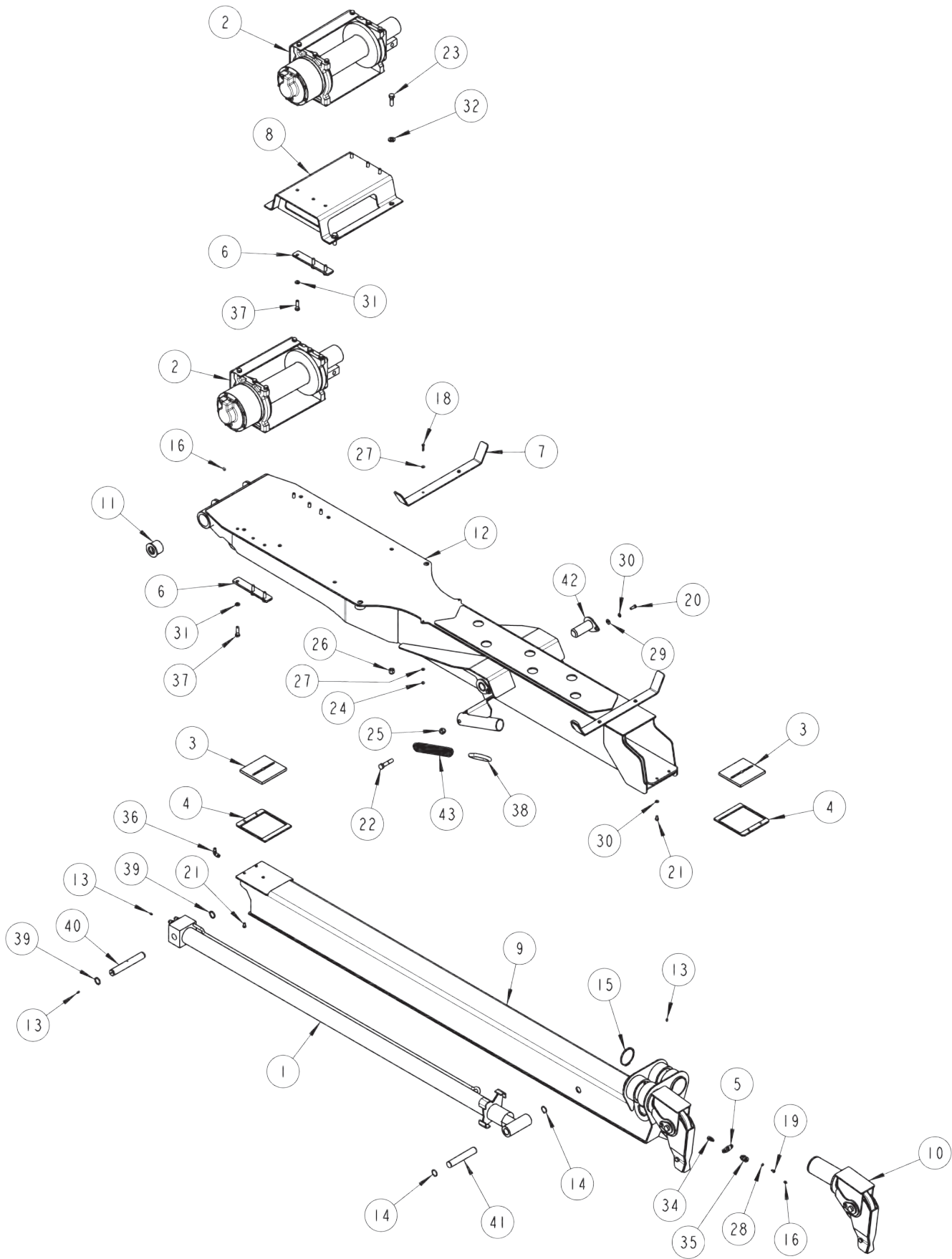
Section I - PARTS (cont'd)

RECOVERY FRAME ASSEMBLY

| ITEM | PART NUMBER | DESCRIPTION | QTY |
|------|-------------|--|-----|
| 1 | 511-500002 | CYL, BOOM LIFT TUBE | 2 |
| 2 | 512-080001 | LOAD CONTROL VALVE DIR MOTOR M | 1 |
| 3 | 515-000101 | HYDRAULIC MOTOR, PARKER | 1 |
| 4 | 3116-700008 | PIN - MAIN BOOM PIVOT | 1 |
| 5 | 3116-700009 | PIN - MAIN BOOM LOWER LIFT CYL. | 2 |
| 6 | 3116-710029 | CENTERING SWITCH FLAG PLATE | 1 |
| 7 | 3116-819300 | REAR SLEW SHIEL WELD'T | 1 |
| 8 | 3116-819400 | FRONT SLEW SHIELD WELD'T | 1 |
| 9 | 3116-890000 | ROTATOR MAST WELDMENT ~ 16 TON | 1 |
| 10 | 0307651 | PLANETRY GEARBOX | 1 |
| 11 | 0400066 | 1/4-20 X 3/4 HHCS GR.5,ZP | 3 |
| 12 | 0400081 | 1/4-20 X 3-1/2 LG. HHCS GR.5 | 4 |
| 13 | 0400177 | 1/2-13 X 1 1/4 HHCS GR. 5, ZP | 2 |
| 14 | 0400219 | 1/2-13 X 4-1/2 HHCS GR.5 ZP | 2 |
| 15 | 0400237 | 1/2-13 X 4 HHCS GR 5 ZP | 1 |
| 16 | 0400367 | 1/4-20 NYLOCK HEX NUT ZP | 1 |
| 17 | 0400408 | 1/2-13 NYLOCK HEX NUT ZP | 3 |
| 18 | 0400431 | 3/4-10 NYLOCK HEX NUT GR.8, ZP | 4 |
| 19 | 0400451 | 1/4 FLAT WASHER ZP | 2 |
| 20 | 0400452 | 1/4 HELICAL LOCK WASHER ZP | 6 |
| 21 | 0400491 | 1/2 HELICAL LOCK WASHER ZP | 2 |
| 22 | 0400761 | 3/4-10 X 3-3/4 LG. HHCS GR.8 | 2 |
| 23 | 0400762 | 3/4"-10 X 3-3/4" LG. FL HD SKT CAP SCREW | 2 |

Section I - PARTS (cont'd)

RECOVERY BOOM ASSEMBLY

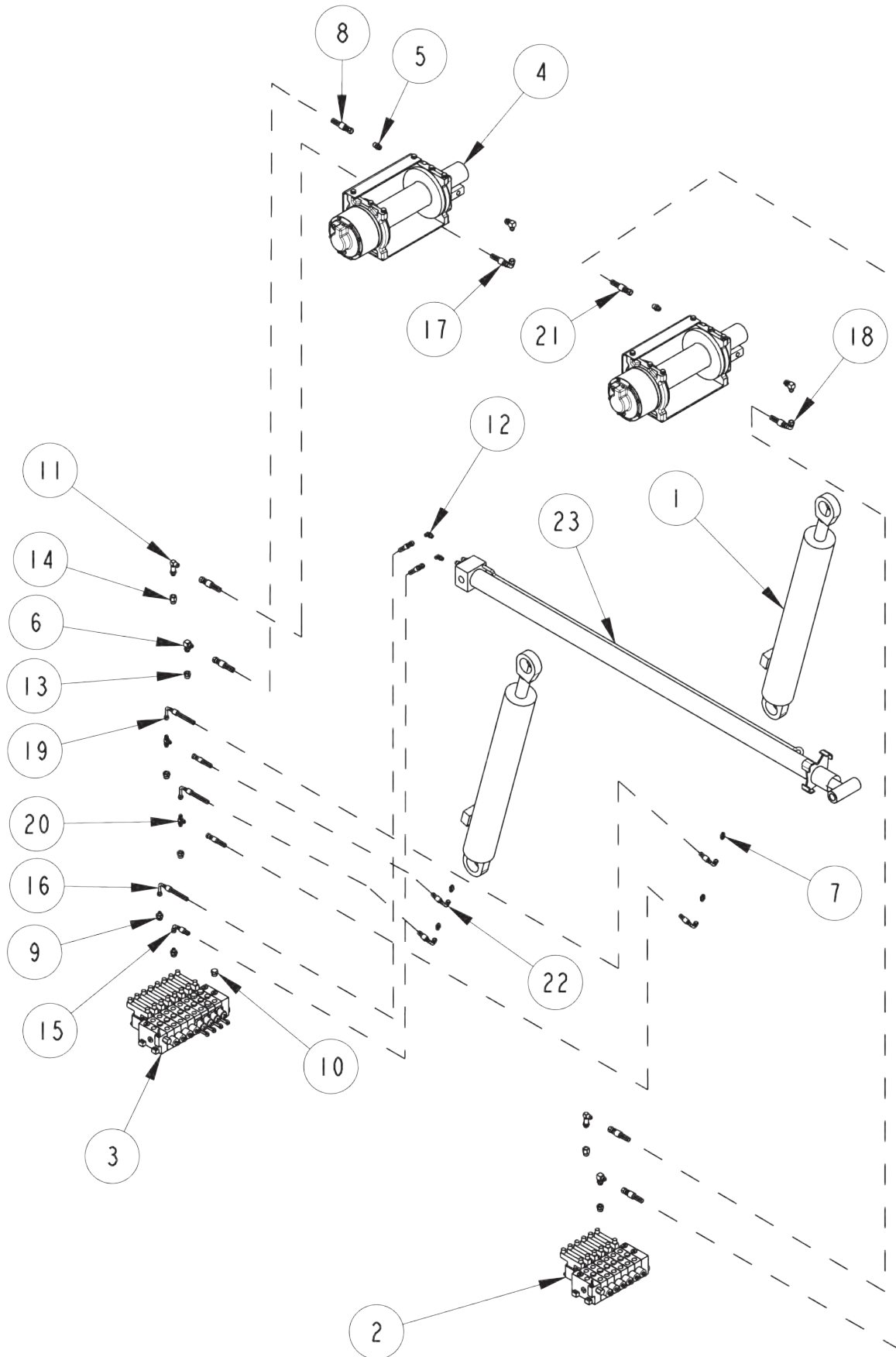


Section I - PARTS (cont'd)

RECOVERY BOOM ASSEMBLY

| ITEM | PART NUMBER | DESCRIPTION | QTY |
|------|-------------|----------------------------------|-----|
| 1 | 511-300001 | CYL - MAIN BOOM EXT | 1 |
| 2 | 514-1501101 | WINCH, 15K DP 15J | 2 |
| 3 | 535-0500001 | NYLATRON PAD | 2 |
| 4 | 3012-792002 | PLATE - PAD CAGE | 2 |
| 5 | 3012-793001 | PLATE - LUBE MOUNT | 1 |
| 6 | 3014-791001 | PLATE - 14K WASHER | 4 |
| 7 | 3014-792001 | PLATE - CABLE WING | 2 |
| 8 | 3014-821000 | BRACKET - 14K DP | 1 |
| 9 | 3014-830000 | INNER BOOM WELDMT-DUAL DP8_10 | 1 |
| 10 | 3014-931000 | SHEAVE ASSY - 3014 | 2 |
| 11 | 3116-792001 | FLANGED BEARING - BOOM PIVOT | 2 |
| 12 | 3116-820000 | MAIN BOOM WELDMENT | 1 |
| 13 | 0300113 | GREASE FITTING, 1/4-28 STRAIGHT | 4 |
| 14 | 0301642 | SNAP RING, 1-1/4" | 2 |
| 15 | 0301814 | RETAINING RING, 3-1/2" EXTERNAL | 2 |
| 16 | 0301895 | GREASE FITTING, 1/8 NPT STRAIGHT | 2 |
| 17 | 0301949 | 3/8" OD AIRLINE - SYNDFLEX HOSE | 1 |
| 18 | 0400057 | 1/4-20 X 1-1/4 HHCS ZP | 4 |
| 19 | 0400060 | 1/4-20 X 1/2 LG. HHCS GR.5 | 2 |
| 20 | 0400126 | 3/8-16 X 1 HHCS GR.5,ZP | 2 |
| 21 | 0400147 | 3/8-24X 5/8 HHCS GR5 ZP | 4 |
| 22 | 0400257 | 5/8-11 X 3-1/4 HHCS GR5 ZP | 2 |
| 23 | 0400274 | 5/8-11 X 2 HHCS GR 8 YZ P | 4 |
| 24 | 0400367 | 1/4-20 NYLOCK HEX NUT ZP | 4 |
| 25 | 0400421 | 5/8-11 NYLOCK HEX NUT ZP | 2 |
| 26 | 0400426 | 5/8-11 NYLOCK NUT GR.8 ZP | 4 |
| 27 | 0400451 | 1/4 FLAT WASHER ZP | 8 |
| 28 | 0400452 | 1/4 HELICAL LOCK WASHER ZP | 2 |
| 29 | 0400480 | 3/8 FLAT WASHER ZP | 2 |
| 30 | 0400482 | 3/8 HELICAL LOCK WASHER ZP | 4 |
| 31 | 0400491 | 1/2 HELICAL LOCK WASHER ZP | 12 |
| 32 | 0400503 | 5/8 FLAT WASHER GR.8 | 4 |
| 33 | 0402118 | 5/16 HELICAL LOCK WASHER SS | 2 |
| 34 | 9012549 | CONNECTOR, 3/8 TUBE X 1/8 NPT | 1 |
| 35 | 9012552 | BULKHEAD COUPLING, 1/8 | 1 |
| 36 | 9012584 | ELBOW, 1/4 NPT X 3/8 TUBE 90 | 1 |
| 37 | 9041404 | 1/2-13 X 1-3/4 LG. HHCS GR.8 | 12 |
| 38 | 9048800 | 5/8 WELDLESS CHAIN LINK | 2 |
| 39 | 9056125 | SNAP RING - 1-1/4" HEAVY DUTY | 2 |
| 40 | 897400001 | PIN-FRONT-BOOM EXT. | 1 |
| 41 | 897400002 | PIN-FRONT-BOOM EXT. | 1 |
| 42 | 915352000 | PIN WELD'T - CYL. MTG. | 2 |
| 43 | 945030007 | SPRING - HOSE TENSIONER | 2 |

Section I - PARTS (cont'd)
RECOVERY BOOM HYDRAULICS

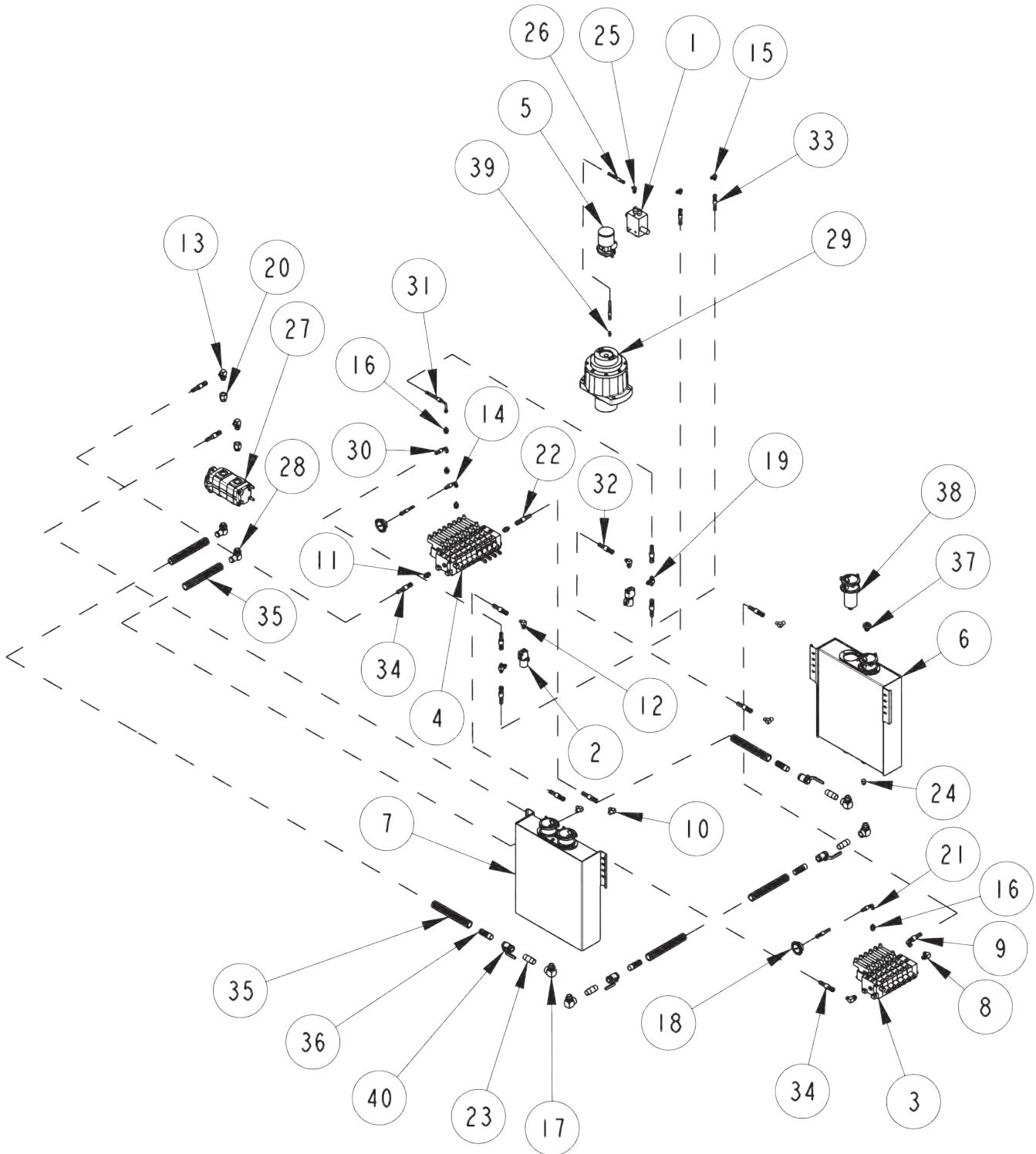


Section I - PARTS (cont'd)

RECOVERY BOOM HYDRAULICS

| ITEM | PART NUMBER | DESCRIPTION | QTY |
|------|-------------|-----------------------------------|-----|
| 1 | 511-500002 | CYL, BOOM LIFT TUBE | 2 |
| 2 | 512-086601 | CONTROL VALVE, P70CF-06-US15-149 | 1 |
| 3 | 512-088301 | CONTROL VALVE, P70CF-06-US15-148 | 1 |
| 4 | 514-1501101 | WINCH, 15K DP 15J | 2 |
| 5 | 0300041 | CONNECTOR 8MJX8MB | 2 |
| 6 | 0301388 | ELBOW, 8MJ-8MB90 | 4 |
| 7 | 0301522 | CONNECTOR 6MJ-6MB | 4 |
| 8 | 0301659 | HOSE ASSY - 150" LG | 1 |
| 9 | 0301778 | CONNECTOR 6MJX10MB | 2 |
| 10 | 0301783 | CONNECTOR 8MJX10MB | 4 |
| 11 | 0302508 | ELBOW, 8MJ-8MB90LL | 2 |
| 12 | 0302509 | ELBOW, 6MJ-6MB90 | 2 |
| 13 | 0303174 | CONNECTOR 10MPX8FB | 4 |
| 14 | 0303176 | CONNECTOR 10MPX8FB | 2 |
| 15 | 0307658 | HOSE ASSY - 105" LG | 1 |
| 16 | 0307659 | HOSE ASSY - 105" LG | 1 |
| 17 | 0307662 | HOSE ASSY - 150" LG | 1 |
| 18 | 0307663 | HOSE ASSEMBLY, 185" | 1 |
| 19 | 0307668 | HOSE ASSY - 120" LG | 2 |
| 20 | 9012594 | FITTING, HYD RUN TEE, 6MJ-6MB-6MJ | 2 |
| 21 | 12833018 | HOSE ASSY - 185" LG | 1 |
| 22 | 806750109 | HOSE ASSY | 2 |
| 23 | 511-3000001 | CYL, MAIN BOOM EXTENSION | 1 |

Section I - PARTS (cont'd)
PUMP, VALVE & FILTER HYDRAULICS



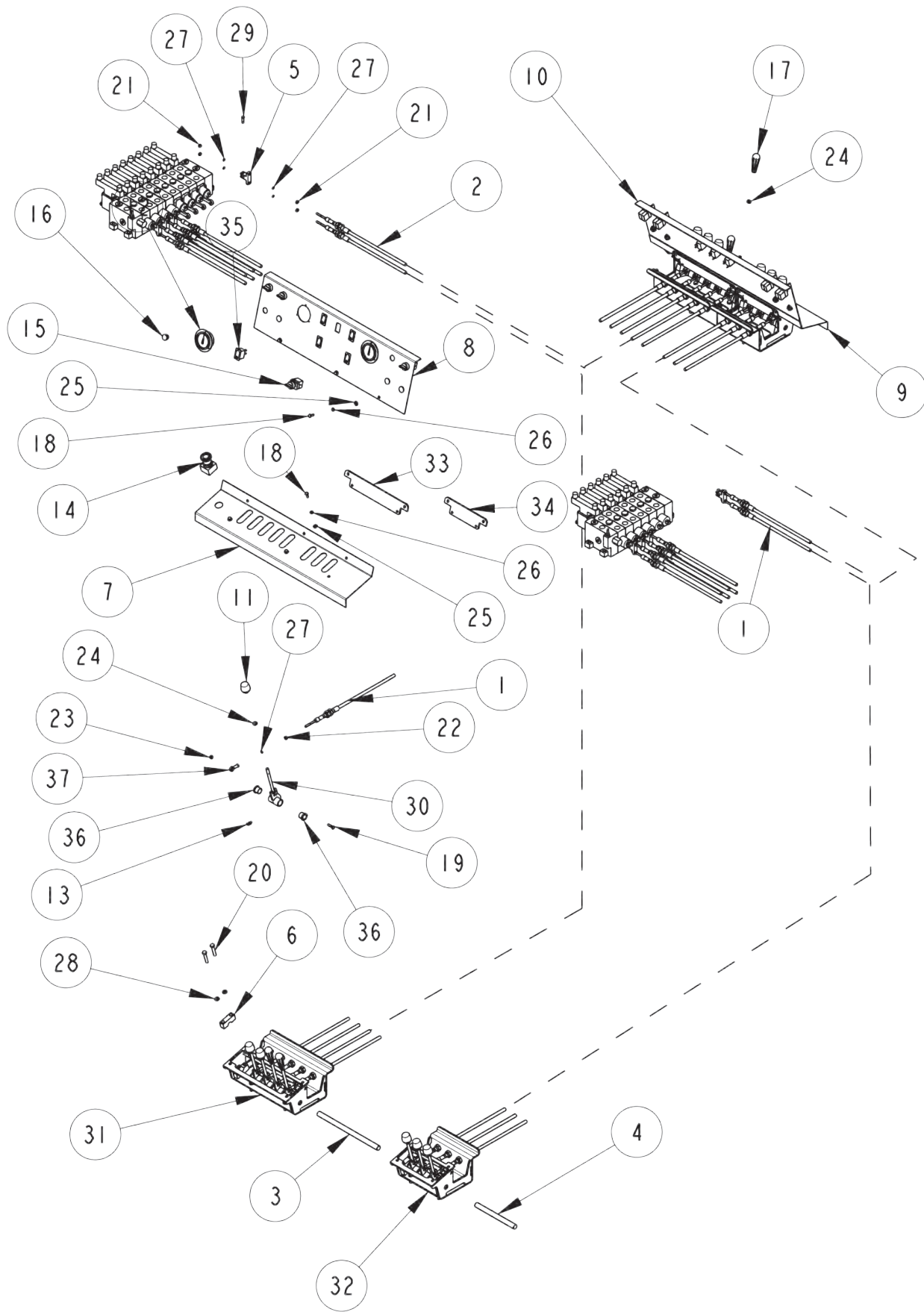
Section I - PARTS (cont'd)

PUMP, VALVE & FILTER HYDRAULICS

| ITEM | PART NUMBER | DESCRIPTION | QTY |
|------|-------------|-----------------------------------|-----|
| 1 | 512-080001 | LOAD CONTROL VALVE DIR MOTOR M | 1 |
| 2 | 512-081101 | SOLENOID OPERATED VALVE 2 WAY | 2 |
| 3 | 512-086601 | CONTROL VALVE, P70CF-06-US15-149 | 1 |
| 4 | 512-088301 | CONTROL VALVE, P70CF-06-US15-148 | 1 |
| 5 | 515-000101 | HYDRAULIC MOTOR, PARKER | 1 |
| 6 | 3012-880100 | HYDRAULIC TANK WELDMT | 2 |
| 7 | 3012-980100 | HYDRAULIC TANK ASSY | 2 |
| 8 | 0300052 | ELBOW, 8MJ-10MB90 | 2 |
| 9 | 0300787 | HOSE ASSEMBLY - 53" LG | 1 |
| 10 | 0301371 | ELBOW, 8MJ-12MP90 | 4 |
| 11 | 0301376 | CONNECTOR 8MJX10MB | 2 |
| 12 | 0301388 | ELBOW, 8MJ-8MB90 | 2 |
| 13 | 0301547 | ELBOW, 8MJ-12MB90 | 2 |
| 14 | 0301581 | HOSE ASSY - 119" LG | 1 |
| 15 | 0301620 | FITTING, ELBOW, 6MJ-6MB90 | 2 |
| 16 | 0301778 | CONNECTOR 6MJX10MB | 4 |
| 17 | 0302084 | ELBOW, 16MB-16FB90 | 4 |
| 18 | 0302205 | GAUGE, FLUSH MOUNT 6000 PSI | 2 |
| 19 | 0302842 | ELBOW, 8MJ-8MB90 | 2 |
| 20 | 0302906 | ADAPTER, 16MB-12FB | 2 |
| 21 | 0302909 | HOSE ASSY - 36" LG | 1 |
| 22 | 0302955 | HOSE ASSY - 48 1/4" | 1 |
| 23 | 0302959 | PIPE NIPPLE, 1" NPT X 3" | 4 |
| 24 | 0303155 | PIPE PLUG - 3/4 NPT (MAGNETIC) | 2 |
| 25 | 0303366 | FITTING, ELBOW, 4MJ-6MB90 | 1 |
| 26 | 0303861 | HOSE ASSEMBLY, 17" | 1 |
| 27 | 0303867 | PUMP, BI-ROTATIONAL | 1 |
| 28 | 0306539 | HOSE BARB, 20HOSE-16MB90 | 2 |
| 29 | 0307651 | PLANETRY GEARBOX | 1 |
| 30 | 0307664 | HOSE ASSY - 18" LG | 1 |
| 31 | 0307665 | HOSE ASSY - 29" LG | 1 |
| 32 | 0307666 | HOSE ASSY - 120" LG | 2 |
| 33 | 0307667 | HOSE ASSY - 91" LG | 2 |
| 34 | 0307812 | HOSE ASSY - 222" LG | 2 |
| 35 | 0310019 | SUCTION HOSE, 12 FT (1" ID) | 1 |
| 36 | 9012927 | PIPE NIPPLE, 1" NPT X 1-1/4" BARB | 4 |
| 37 | 9018131 | BREATHER CAP | 2 |
| 38 | 9018399 | IMMERSION FILTER ASSEMBLY | 4 |
| 39 | HC1291 | CONNECTOR, 4MJ-4MB STR | 1 |
| 40 | HC1338 | BALL VALVE, 1" BRASS | 4 |

Section I - PARTS (cont'd)

CONTROL ASSEMBLY

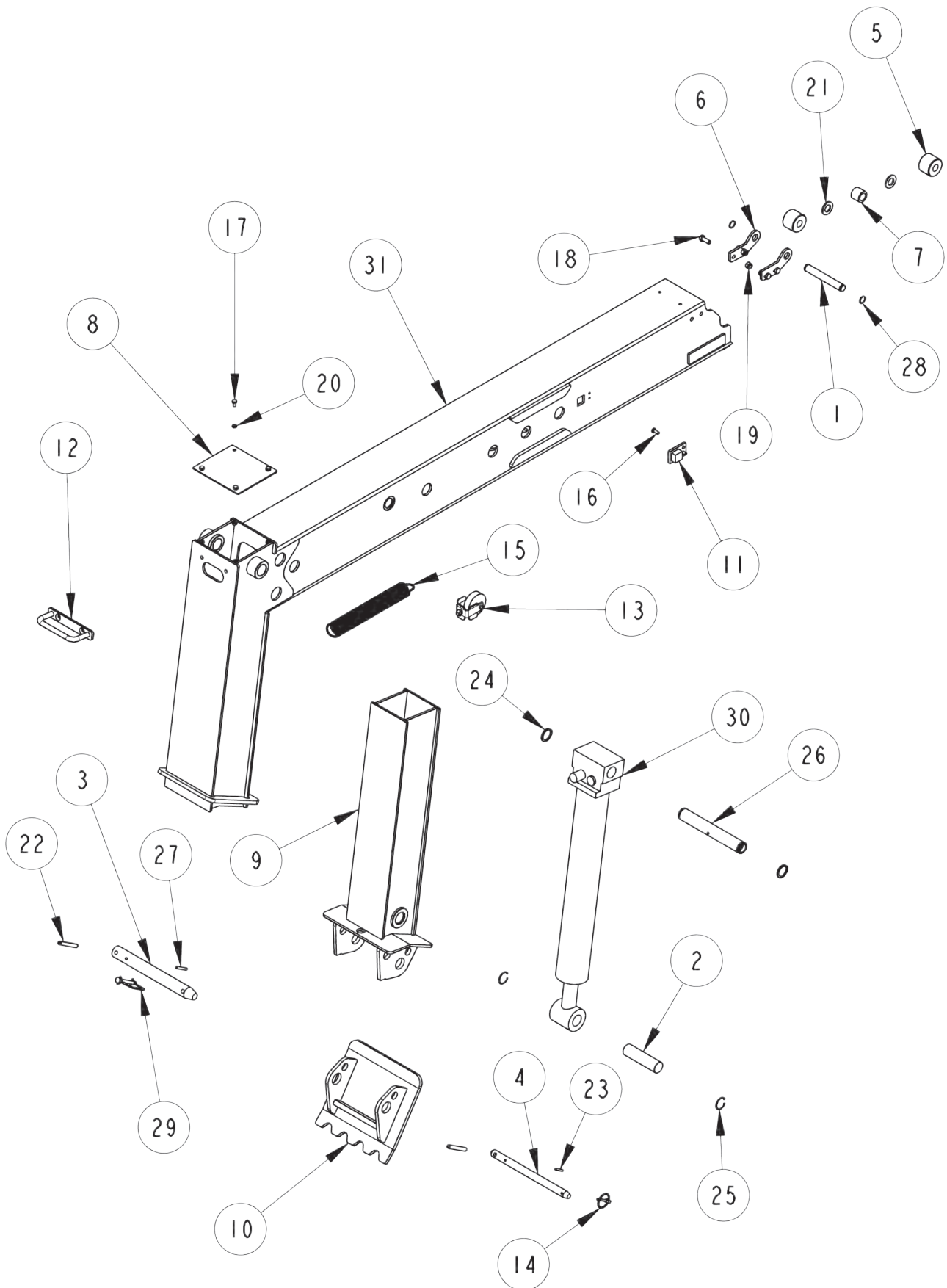


Section I - PARTS (cont'd)

CONTROL ASSEMBLY

| ITEM | PART NUMBER | DESCRIPTION | QTY |
|------|-------------|-------------------------------------|-----|
| 1 | 518-0106000 | CONTROL CABLE - 1/4" X 60" LG. | 20 |
| 2 | 518-0116000 | CONTROL CABLE - 1/4" X 60" LG. | 12 |
| 3 | 3014-700003 | PIN - CONTROLS | 2 |
| 4 | 3014-700004 | PIN - CONTROLS | 2 |
| 5 | 3014-791012 | CLEVIS - DUAL CTRL CABLE | 8 |
| 6 | 3014-798701 | BLOCK - RETAINING | 8 |
| 7 | 3116-775001 | LH LOWER CONTROL PANEL | 1 |
| 8 | 3116-775002 | LH UPPER CONTROL PANEL | 1 |
| 9 | 3116-775101 | RH LOWER CONTROL PANEL | 1 |
| 10 | 3116-775102 | RH UPPER CONTROL PANEL | 1 |
| 11 | 0300341 | KNOB, BLACK (BLANK) | 12 |
| 12 | 0302205 | GAUGE, FLUSH MOUNT 6000 PSI | 2 |
| 13 | 0302726 | GREASE FITTING, 1/4"-28 X 45° | 16 |
| 14 | 0306537 | EMERGENCY SWITCH (RAMSEY) | 2 |
| 15 | 0306540 | ROTARY SELECT SWITCH OPERATOR | 8 |
| 16 | 0307166 | PLUG 7/8 | 8 |
| 17 | 0307604 | KNOB - RED LONG | 4 |
| 18 | 0400066 | 1/4-20 X 3/4 HHCS GR.5,ZP | 12 |
| 19 | 0400070 | 1/4-20 X 1 HHCS GR5 ZP | 16 |
| 20 | 0400173 | SCREW, 3/8"-16 X 2" HEX HD CAP GR8 | 16 |
| 21 | 0400365 | HEX NUT, 1/4"-28 | 32 |
| 22 | 0400366 | 1/4-20 HEX NUT ZP | 16 |
| 23 | 0400367 | 1/4-20 NYLOCK HEX NUT ZP | 17 |
| 24 | 0400393 | 3/8"-16 HEX JAM NUT | 16 |
| 25 | 0400451 | 1/4 FLAT WASHER ZP | 12 |
| 26 | 0400452 | 1/4 HELICAL LOCK WASHER ZP | 12 |
| 27 | 0400458 | 1/4 STAR LOCKWASHER ZP | 48 |
| 28 | 0400482 | 3/8 HELICAL LOCK WASHER ZP | 16 |
| 29 | 0400527 | CLEVIS PIN, 5/16" X 5/8" COTTERLESS | 8 |
| 30 | 0806852 | CONTROL HANDLE WLMT | 16 |
| 31 | 0807538 | REAR CONTROL BRACKET | 2 |
| 32 | 0807539 | FRONT CONTROL BRACKET | 2 |
| 33 | 0807540 | CONTROL BAR WLMT | 2 |
| 34 | 0807541 | CONTROL BAR WLMT | 2 |
| 35 | 9024041 | MCGILL SWITCH | 8 |
| 36 | 9053524 | BRONZE BUSHING (.752 X .879 X .750) | 32 |
| 37 | HD0900 | BEARING, ROD END, 1/4-28 | 16 |

Section I - PARTS (cont'd)
MANUAL IN/OUT FRONT OUTRIGGER ASSEMBLY

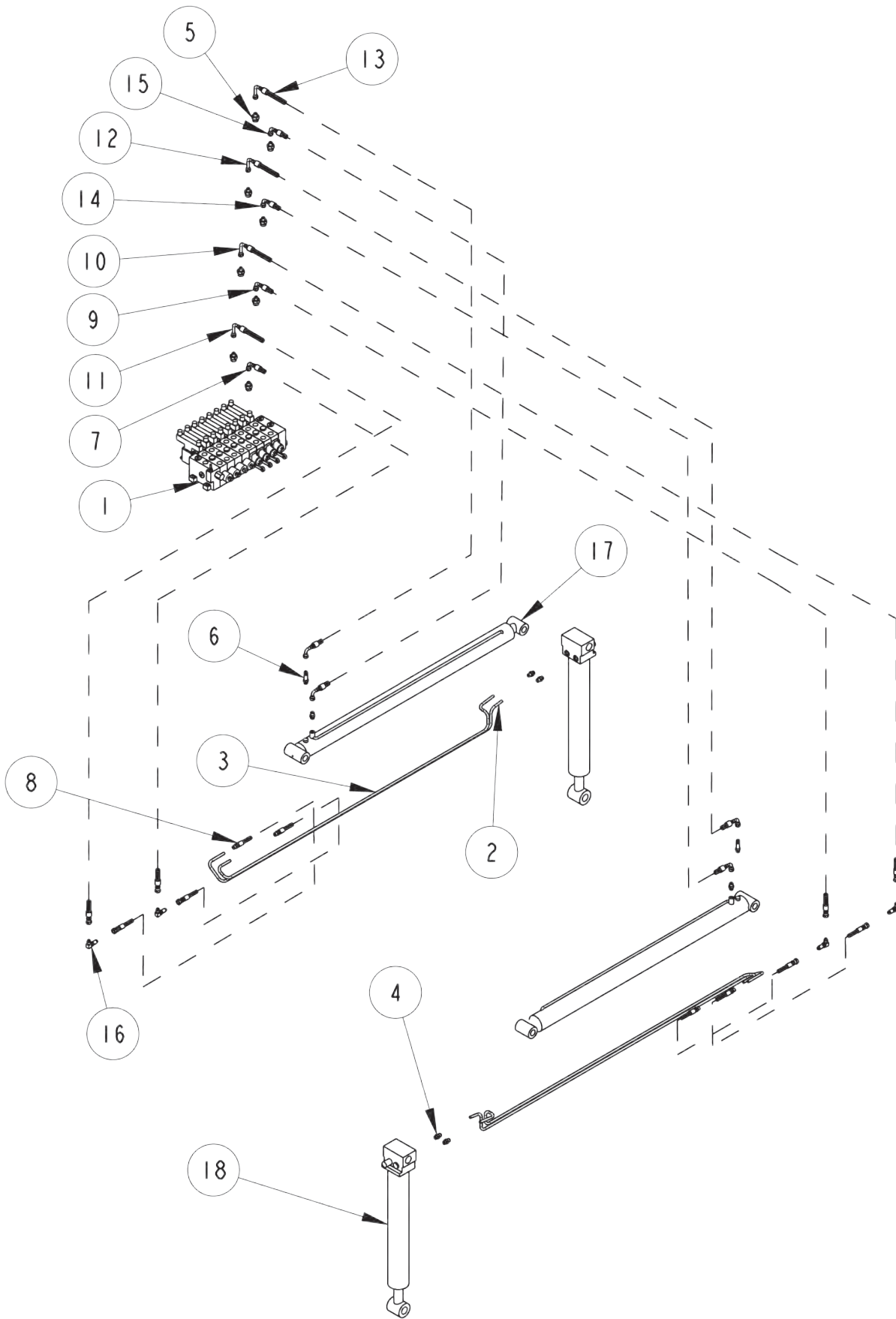


Section I - PARTS (cont'd)

MANUAL IN/OUT FRONT OUTRIGGER ASSEMBLY

| ITEM | PART NUMBER | DESCRIPTION | QTY |
|------|-------------|---------------------------------------|-----|
| 1 | 3116-700004 | PIN - FRONT OUTRIGGER INNER ROLLER | 1 |
| 2 | 3116-700005 | PIN - FRONT OUTRIGGER LOWER CYL. | 1 |
| 3 | 3116-700010 | PIN - PIVOT - FR. OUTRIGGER SPADE | 1 |
| 4 | 3116-700011 | PIN - RETAINING - FR. OUTRIGGER SPADE | 1 |
| 5 | 3116-716001 | ROLLER - FRONT OUTRIGGER ASSY | 2 |
| 6 | 3116-716002 | ROLLER MTG. PLATE | 2 |
| 7 | 3116-716003 | ROLLER SPACER | 1 |
| 8 | 3116-716004 | COVER PLATE - FRONT OUTRIGGER | 1 |
| 9 | 3116-816600 | FRONT VERT. OUTRIGGER - SWIVEL | 1 |
| 10 | 3116-816700 | FRONT OUTRIGGER SPADE WELD'T | 1 |
| 11 | 3116-816800 | OUTRIGGER STOP BLOCK WELD'T | 1 |
| 12 | 3116-816900 | HANDLE WELDMENT | 1 |
| 13 | 3116-916300 | HOSE TENSIONER SHEAVE ASSY | 1 |
| 14 | 0302474 | PIN, LYNCH | 1 |
| 15 | 0303521 | SPRING, HOSE TENSIONER | 1 |
| 16 | 0400059 | 1/4-20 X 5/8 HHCS GR 5 ZP | 2 |
| 17 | 0400060 | 1/4-20 X 1/2 LG. HHCS GR.5 | 4 |
| 18 | 0400126 | 3/8-16 X 1 HHCS GR.5,ZP | 4 |
| 19 | 0400392 | 3/8-16 NYLOCK HEX NUT ZP | 4 |
| 20 | 0400452 | 1/4 HELICAL LOCK WASHER ZP | 4 |
| 21 | 0400510 | 3/4 FLAT WASHER ZP | 2 |
| 22 | 0400568 | 3/8 X 3 ROLL PIN ZP | 2 |
| 23 | 0400573 | 3/16 X 1-1/4 ROLL PIN ZP | 1 |
| 24 | 9056125 | SNAP RING - 1-1/4" HEAVY DUTY | 2 |
| 25 | 9057125 | SNAP RING, 1-1/4" NOM INTERNAL | 2 |
| 26 | 810350002 | PIN, UPPER TILT CYLINDER | 1 |
| 27 | HD0106 | 1/4 X 1-3/4 ROLL PIN ZP | 1 |
| 28 | HD0160 | SNAP RING, 3/4" EXTERNAL | 2 |
| 29 | HD1259 | SAFETY SNAP PIN | 1 |
| 30 | 511-3000005 | CYLINDER, FRONT OUTRIGGER | 1 |
| 31 | 3116-816000 | FRONT OUTRIGGER WELD'T | 1 |

Section I - PARTS (cont'd)
MANUAL IN/OUT FRONT OUTRIGGER HYDRAULICS



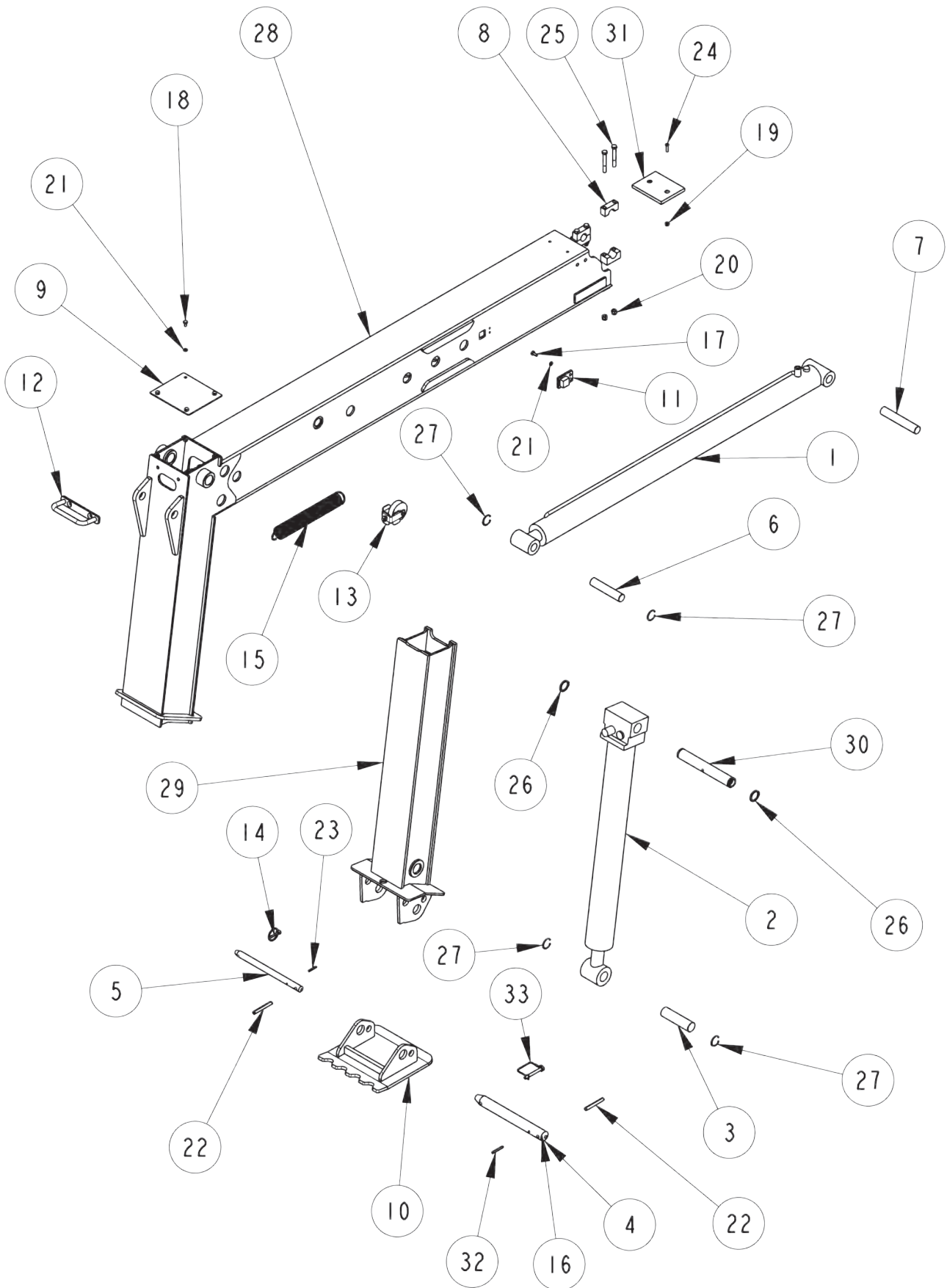
Section I - PARTS (cont'd)

MANUAL IN/OUT FRONT OUTRIGGER HYDRAULICS

| ITEM | PART NUMBER | DESCRIPTION | QTY |
|------|-------------|----------------------------------|-----|
| 1 | 512-088301 | CONTROL VALVE, P70CF-06-US15-148 | 1 |
| 2 | 516-0600002 | TUBE, HYD ASSY 3/8X61 STL TUBE | 2 |
| 3 | 516-0600003 | TUBE, HYD ASSY 3/8X59. STL TUBE | 2 |
| 4 | 0301522 | CONNECTOR 6MJ-6MB | 6 |
| 5 | 0301778 | CONNECTOR 6MJX10MB | 8 |
| 6 | 0302510 | CONNECTOR, 6MJ-6MBL | 2 |
| 7 | 0303389 | HOSE ASSY - 46" LG. | 1 |
| 8 | 0307657 | HOSE ASSY - 80" LG | 4 |
| 9 | 0307845 | HOSE ASSY - 79" LG | 1 |
| 10 | 0307846 | HOSE ASSY - 84" LG | 1 |
| 11 | 0307847 | HOSE ASSY - 45" LG | 1 |
| 12 | 0310107 | HOSE ASSY - 68" LG | 1 |
| 13 | 0310108 | HOSE ASSY - 68" LG | 1 |
| 14 | 0310109 | HOSE ASSY - 68" LG | 1 |
| 15 | 0310110 | HOSE ASSY - 68" LG | 1 |
| 16 | FC41 | ELBOW - BULKHEAD | 4 |
| 17 | 511-2000001 | CYL, FRONT OUTRIGGER EXTENSION | 2 |
| 18 | 511-3000005 | CYLINDER, FRONT OUTRIGGER | 2 |

Section I - PARTS (cont'd)

HYDRAULIC IN/OUT FRONT OUTRIGGER ASSEMBLY



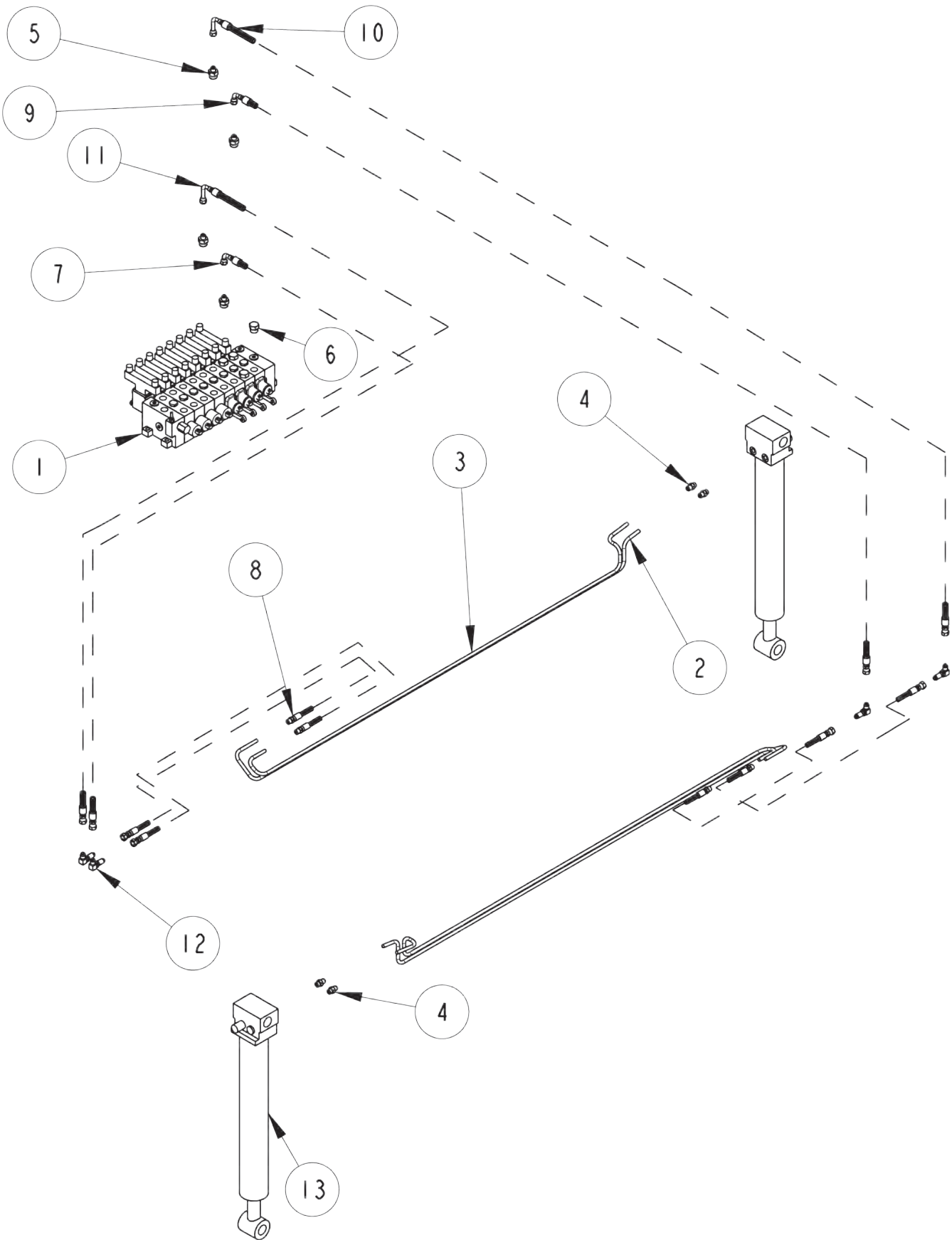
Section I - PARTS (cont'd)

HYDRAULIC IN/OUT FRONT OUTRIGGER ASSEMBLY

| ITEM | PART NUMBER | DESCRIPTION | QTY |
|------|-------------|---------------------------------------|-----|
| 1 | 511-200001 | BOOM EXTEND CYLINDER | 1 |
| 2 | 511-300007 | CYLINDER, SPADE | 1 |
| 3 | 3116-700005 | PIN - FRONT OUTRIGGER LOWER CYL. | 1 |
| 4 | 3116-700010 | PIN - PIVOT - FR. OUTRIGGER SPADE | 1 |
| 5 | 3116-700011 | PIN - RETAINING - FR. OUTRIGGER SPADE | 1 |
| 6 | 3116-700016 | PIN - FRONT OUTRIGGER EXTEND | 1 |
| 7 | 3116-700017 | PIN - FRONT OUTRIGGER EXTEND | 1 |
| 8 | 3116-710033 | CYLINDER MTG. BLOCK | 2 |
| 9 | 3116-716004 | COVER PLATE - FRONT OUTRIGGER | 1 |
| 10 | 3116-816700 | FRONT OUTRIGGER SPADE WELD'T | 1 |
| 11 | 3116-816800 | OUTRIGGER STOP BLOCK WELD'T | 1 |
| 12 | 3116-816900 | HANDLE WELDMENT | 1 |
| 13 | 3116-916300 | HOSE TENSIONER SHEAVE ASSY | 1 |
| 14 | 0302474 | PIN, LYNCH | 1 |
| 15 | 0303521 | SPRING, HOSE TENSIONER | 1 |
| 16 | 0400044 | DRIVE SCREW, #10-24 X 1/2" RD HD | 2 |
| 17 | 0400059 | 1/4-20 X 5/8 HHCS GR 5 ZP | 2 |
| 18 | 0400060 | 1/4-20 X 1/2 LG. HHCS GR.5 | 4 |
| 19 | 0400367 | 1/4-20 NYLOCK HEX NUT ZP | 2 |
| 20 | 0400392 | 3/8-16 NYLOCK HEX NUT ZP | 4 |
| 21 | 0400452 | 1/4 HELICAL LOCK WASHER ZP | 6 |
| 22 | 0400568 | 3/8 X 3 ROLL PIN ZP | 2 |
| 23 | 0400573 | 3/16 X 1-1/4 ROLL PIN ZP | 1 |
| 24 | 0400612 | 1/4-20 X 1 FLAT HEAD SOCKET CAP SCREW | 2 |
| 25 | 9041212 | 3/8-16 X 2-3/4 LG. HHCS GR.8 | 4 |
| 26 | 9056125 | SNAP RING - 1-1/4" HEAVY DUTY | 2 |
| 27 | 9057125 | SNAP RING, 1-1/4" NOM INTERNAL | 4 |
| 28 | 25088017 | FRONT OUTRIGGER WELD'T | 1 |
| 29 | 25088019 | FRONT VERT. OUTRIGGER - SWIVEL | 1 |
| 30 | 810350002 | PIN, UPPER TILT CYLINDER | 1 |
| 31 | 897040002 | TOP PAD INNER BOOM | 1 |
| 32 | HD0106 | 1/4 X 1-3/4 ROLL PIN ZP | 1 |
| 33 | HD1259 | SAFETY SNAP PIN | 1 |

Section I - PARTS (cont'd)

HYDRAULIC IN/OUT FRONT OUTRIGGER HYDRAULICS



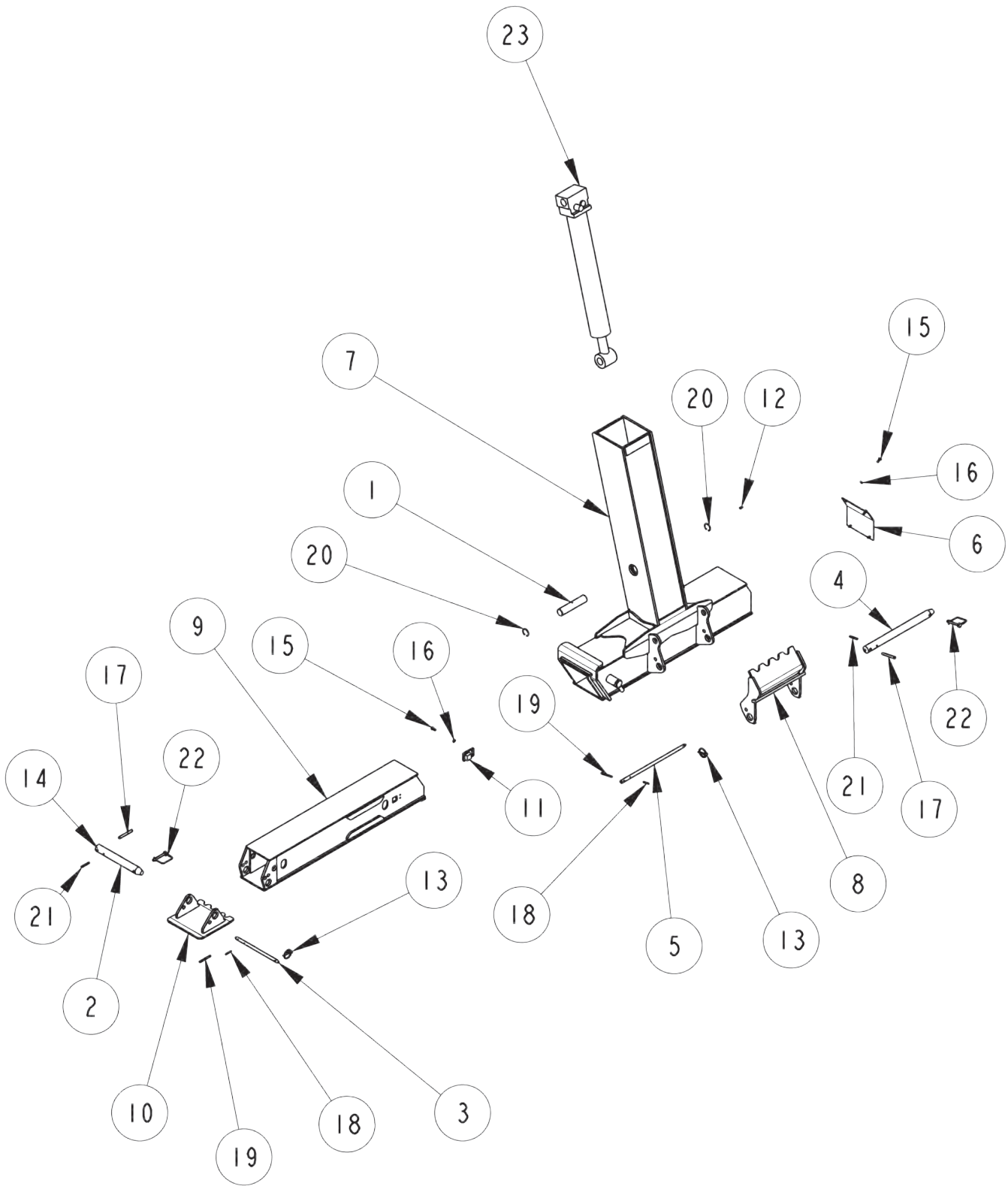
Section I - PARTS (cont'd)

HYDRAULIC IN/OUT FRONT OUTRIGGER HYDRAULICS

| ITEM | PART NUMBER | DESCRIPTION | QTY |
|------|-------------|----------------------------------|-----|
| 1 | 512-088301 | CONTROL VALVE, P70CF-06-US15-148 | 1 |
| 2 | 516-0600002 | TUBE, HYD ASSY 3/8X61 STL TUBE | 2 |
| 3 | 516-0600003 | TUBE, HYD ASSY 3/8X59. STL TUBE | 2 |
| 4 | 0301522 | CONNECTOR 6MJ-6MB | 4 |
| 5 | 0301778 | CONNECTOR 6MJX10MB | 4 |
| 6 | 0301783 | CONNECTOR 8MJX10MB | 4 |
| 7 | 0303389 | HOSE ASSY - 46" LG. | 1 |
| 8 | 0307657 | HOSE ASSY - 80" LG | 4 |
| 9 | 0307845 | HOSE ASSY - 79" LG | 1 |
| 10 | 0307846 | HOSE ASSY - 84" LG | 1 |
| 11 | 0307847 | HOSE ASSY - 45" LG | 1 |
| 12 | FC41 | ELBOW - BULKHEAD | 4 |
| 13 | 511-3000005 | CYLINDER, FRONT OUTRIGGER | 2 |

Section I - PARTS (cont'd)

REAR OUTRIGGER ASSEMBLY



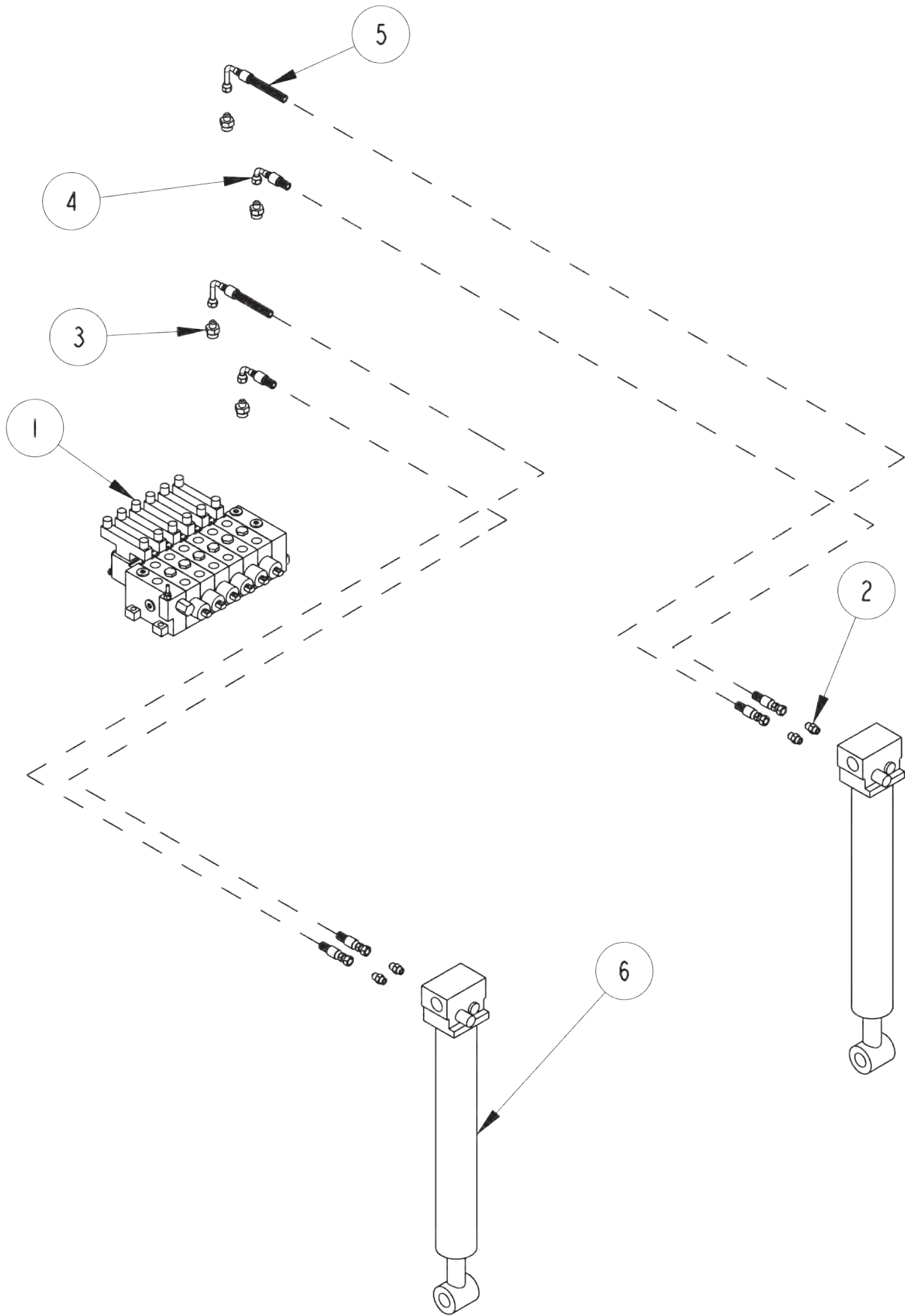
Section I - PARTS (cont'd)

REAR OUTRIGGER ASSEMBLY

| ITEM | PART NUMBER | DESCRIPTION | QTY |
|------|-------------|-------------------------------------|-----|
| 1 | 3116-700006 | PIN - LOWER JACK LEG CYL. | 2 |
| 2 | 3116-700012 | PIN - PIVOT - REAR OR SPADE | 2 |
| 3 | 3116-700013 | PIN - RETAINING - REAR OR SPADE | 2 |
| 4 | 3116-700014 | PIN - PIVOT - JACKLEG SPADE | 2 |
| 5 | 3116-700015 | PIN - RETAINING - JACKLEG SPADE | 2 |
| 6 | 3116-712020 | COVER PANEL - REAR OUTRIGGER | 2 |
| 7 | 3116-812000 | LH REAR JACK LEG / OUTRIGGER WELD'T | 1 |
| | 3116-813000 | RH REAR JACKLEG OUTRIGGER WELD'T | 1 |
| 8 | 3116-812500 | SPADE WELDMENT - REAR OUTRIGGER | 2 |
| 9 | 3116-814000 | REAR INNER OUTRIGGER WELD'T | 2 |
| 10 | 3116-814500 | REAR OUTRIGGER PAD WELD'T | 2 |
| 11 | 3116-816800 | OUTRIGGER STOP BLOCK WELD'T | 2 |
| 12 | 0300113 | GREASE FITTING, 1/4-28 STRAIGHT | 2 |
| 13 | 0302474 | PIN, LYNCH | 4 |
| 14 | 0400044 | DRIVE SCREW, #10-24 X 1/2" RD HD | 8 |
| 15 | 0400059 | 1/4-20 X 5/8 HHCS GR 5 ZP | 12 |
| 16 | 0400452 | 1/4 HELICAL LOCK WASHER ZP | 12 |
| 17 | 0400568 | 3/8 X 3 ROLL PIN ZP | 4 |
| 18 | 0400573 | 3/16 X 1-1/4 ROLL PIN ZP | 4 |
| 19 | 9046354 | 1/4 X 2-1/2 ROLL PIN ZP | 4 |
| 20 | 9057125 | SNAP RING, 1-1/4" NOM INTERNAL | 4 |
| 21 | HD0106 | 1/4 X 1-3/4 ROLL PIN ZP | 4 |
| 22 | HD1259 | SAFETY SNAP PIN | 4 |
| 23 | 511-3000005 | CYLINDER, FRONT OUTRIGGER | 2 |

Section I - PARTS (cont'd)

REAR OUTRIGGER HYDRAULICS



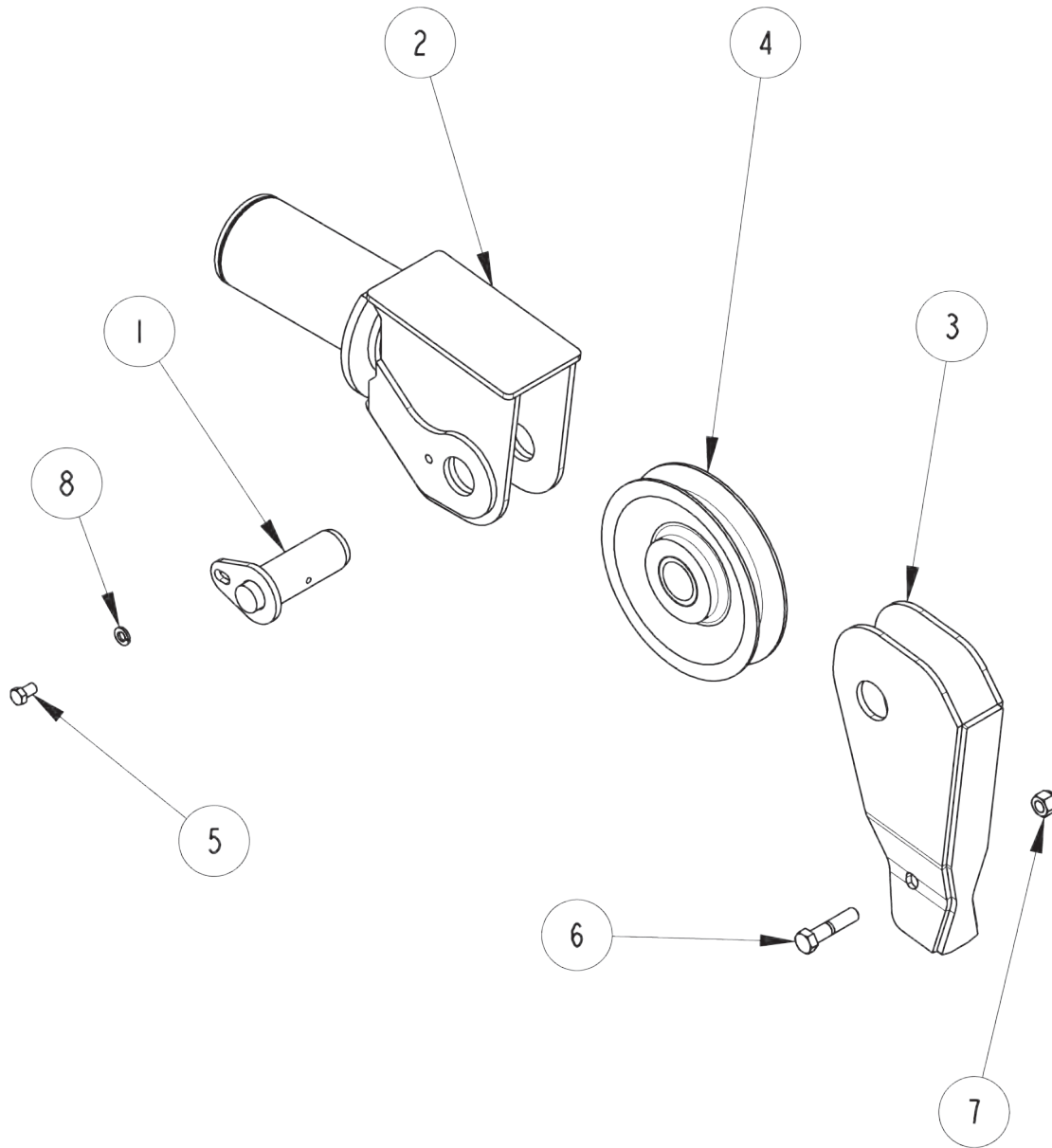
Section I - PARTS (cont'd)

REAR OUTRIGGER HYDRAULICS

| ITEM | PART NUMBER | DESCRIPTION | QTY |
|------|-------------|----------------------------------|-----|
| 1 | 512-086601 | CONTROL VALVE, P70CF-06-US15-149 | 1 |
| 2 | 0301522 | CONNECTOR 6MJ-6MB | 4 |
| 3 | 0301778 | CONNECTOR 6MJX10MB | 4 |
| 4 | 880010013 | HOSE ASSY - | 2 |
| 5 | 880010014 | HOSE ASSY - | 2 |
| 6 | 511-3000005 | CYLINDER, FRONT OUTRIGGER | 2 |

Section I - PARTS (cont'd)

BOOM SWIVEL ASSEMBLY



| ITEM | PART NUMBER | DESCRIPTION | QTY |
|------|-------------|-----------------------------|-----|
| 1 | 3014-802000 | PIN WELD'T | 1 |
| 2 | 3014-831000 | SHEAVE WELDMENT - 3014 | 1 |
| 3 | 3014-831100 | GUIDE - SWIVEL | 1 |
| 4 | 0300626 | SHEAVE - 8" | 1 |
| 5 | 0400147 | 3/8-24 X 5/8 HHCS GR5 ZP | 1 |
| 6 | 0400184 | 1/2-13 X 2-1/4 HHCS GR 8 ZP | 1 |
| 7 | 0400408 | 1/2-13 NYLOCK HEX NUT ZP | 1 |
| 8 | 0400482 | 3/8 HELICAL LOCK WASHER ZP | 1 |

Section I - PARTS (cont'd)

HYDRAULIC CYLINDERS

| ITEM | PART NUMBER | DESCRIPTION | QTY |
|------|-------------|-------------------------------------|-----|
| 1 | 511-2000001 | CYLINDER, FRONT OUTRIGGER EXTEND | 2 |
| -- | -- | SEAL KIT, FRONT O/R EXTEND CYLINDER | -- |
| 2 | 511-3000001 | CYLINDER, BOOM EXTEND | 1 |
| -- | -- | SEAL KIT, BOOM EXTEND CYLINDER | -- |
| 3 | 511-3000002 | CYLINDER, UNDERLIFT EXTEND | 1 |
| -- | -- | SEAL KIT, UNDERLIFT EXTEND CYLINDER | -- |
| 4 | 511-3000004 | CYLINDER, UNDERLIFT LIFT | 2 |
| -- | -- | SEAL KIT, UNDERLIFT LIFT CYLINDER | -- |
| 5 | 511-3000005 | CYLINDER, OUTRIGGER LIFT | 4 |
| -- | -- | SEAL KIT, OUTRIGGER LIFT CYLINDER | -- |
| 6 | 511-5000001 | CYLINDER, UNDERLIFT TILT | 1 |
| -- | -- | SEAL KIT, UNDERLIFT TILT CYLINDER | -- |
| 7 | 511-5000002 | CYLINDER, BOOM LIFT | 2 |
| -- | -- | SEAL KIT, BOOM LIFT CYLINDER | -- |



Miller Industries Towing Equipment Inc.
8503 Hilltop Drive • Ooltewah, Tennessee 37363 • (423) 238-4171
www.millerind.com