



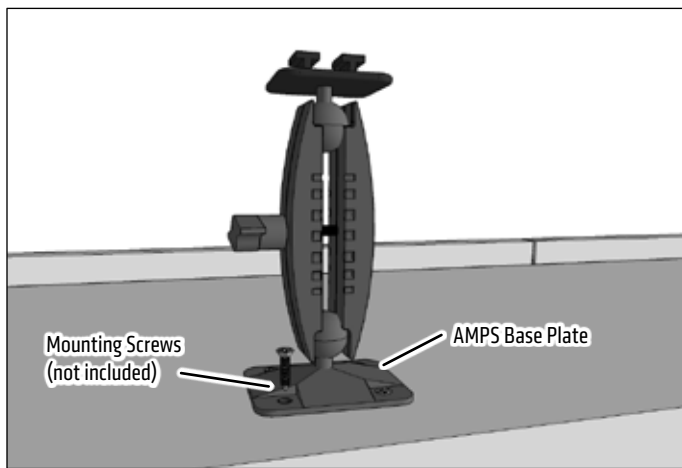
TABRMAMPS-MET

**Package Contents:**

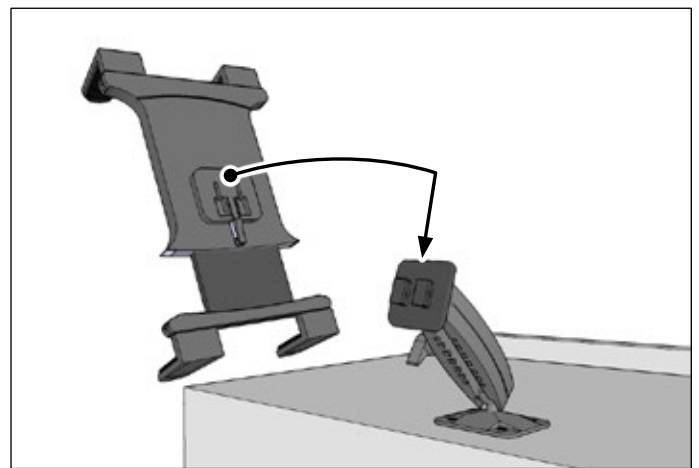
- (1) TAB001 - Slim-Grip® Universal Tablet Holder
- (1) SP-RM250 - Robust Mount Shaft
- (1) APRM2T - 25mm Ball to Dual-T Adapter
- (1) APMAMPS25MM - Metal 4-Hole AMPS to 25mm Ball Adapter

**IMPORTANT:** The Slim-Grip® Universal Tablet Holder fits tablets with 7" - 18.4" screen size. It includes 4 short, 2 medium, and 4 long support legs. Select a combination of 4 support legs in conjunction for use with the spring-loaded holder to achieve the perfect fit for your tablet.

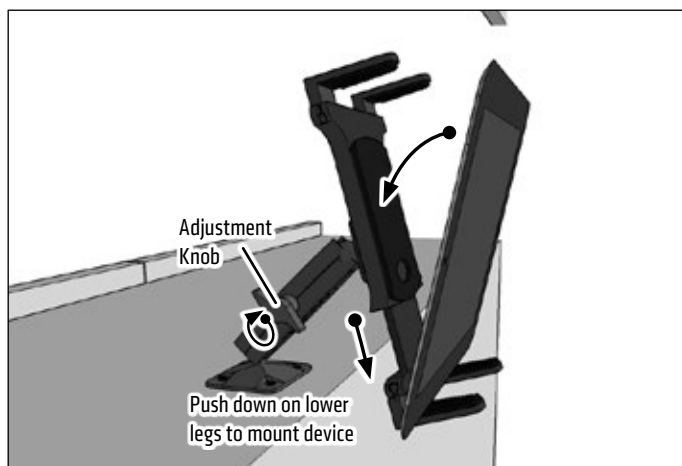
- 1** Attach the pedestal to the mounting surface through the AMPS base plate. Choose the screws (not included) that will work best on the chosen mounting surface.



- 2** Attach Slim-Grip tablet holder by sliding the Dual T-Tabs on the pedestal head into the Dual T-Slots of the holder.



- 3** Insert tablet by placing it on the two lower legs and pushing down on the spring-loaded bottom of the holder. Loosen adjustment knob to adjust rotation, position, or angle. Retighten to set.



**⚠ Safety Precaution**

Do not install Arkon products over an air bag cover or within the air bag deployment zone. Arkon Resources, Inc. assumes no responsibility of liability for injury or death as a result of car crashes and / or air bag deployment. Arkon is not responsible for any damages caused to your car, your device, your passengers, or yourself due to the installation or use of this mount.

**ARKON® MOUNTS**

**Consumer Hotline:**  
**USA (800) 841-0884**  
**INT'L (626) 254-9005**  
**Monday - Friday 9 am - 5 pm, PST**

**www.arkon.com**  
**Arcadia, CA 91006 USA**  
**Designed in USA | Made in Taiwan**  
**© Copyright 2018 Arkon Resources, Inc.**