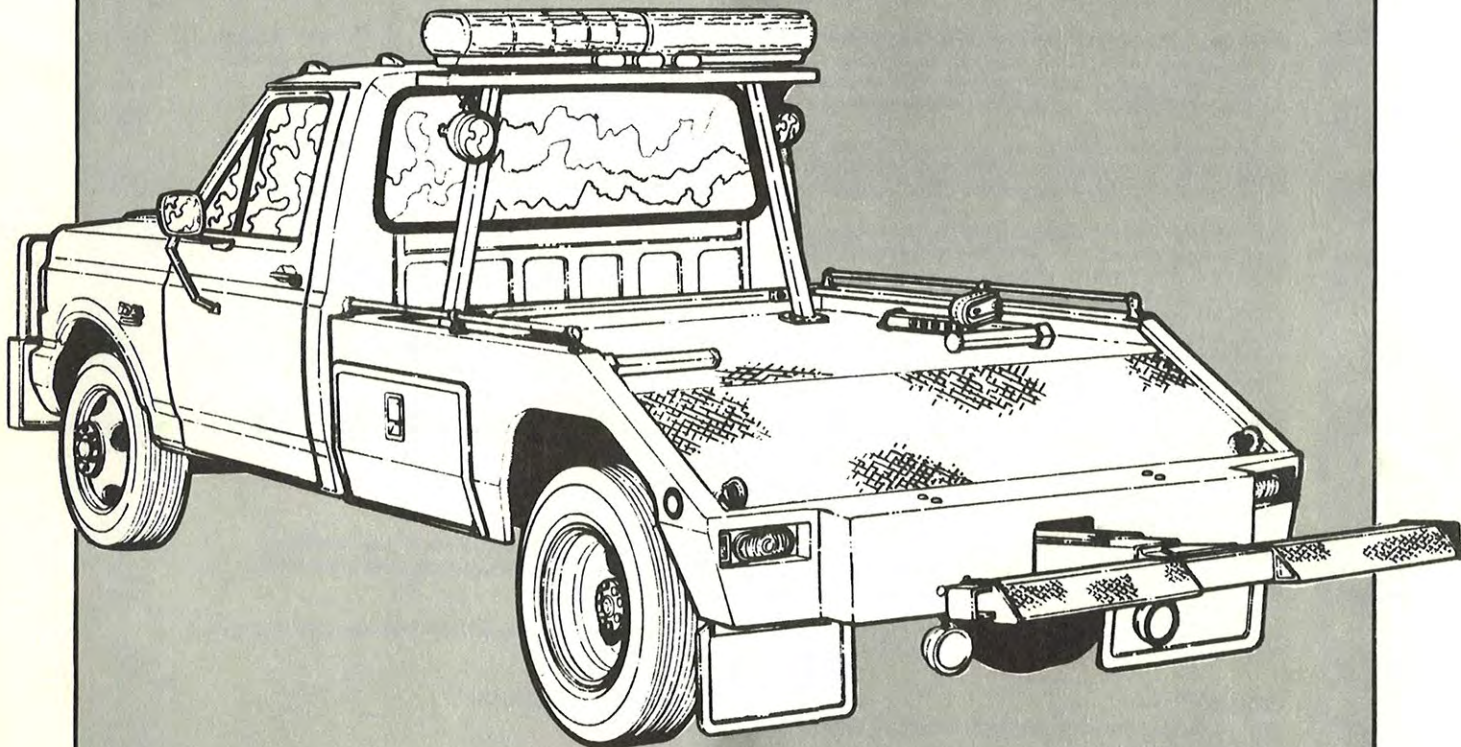


CENTURY®



OWNER'S MANUAL

METRO I, Duplex Tilt (D.T.) WHEEL LIFT SYSTEM

**OPERATION, MAINTENANCE
& PARTS**

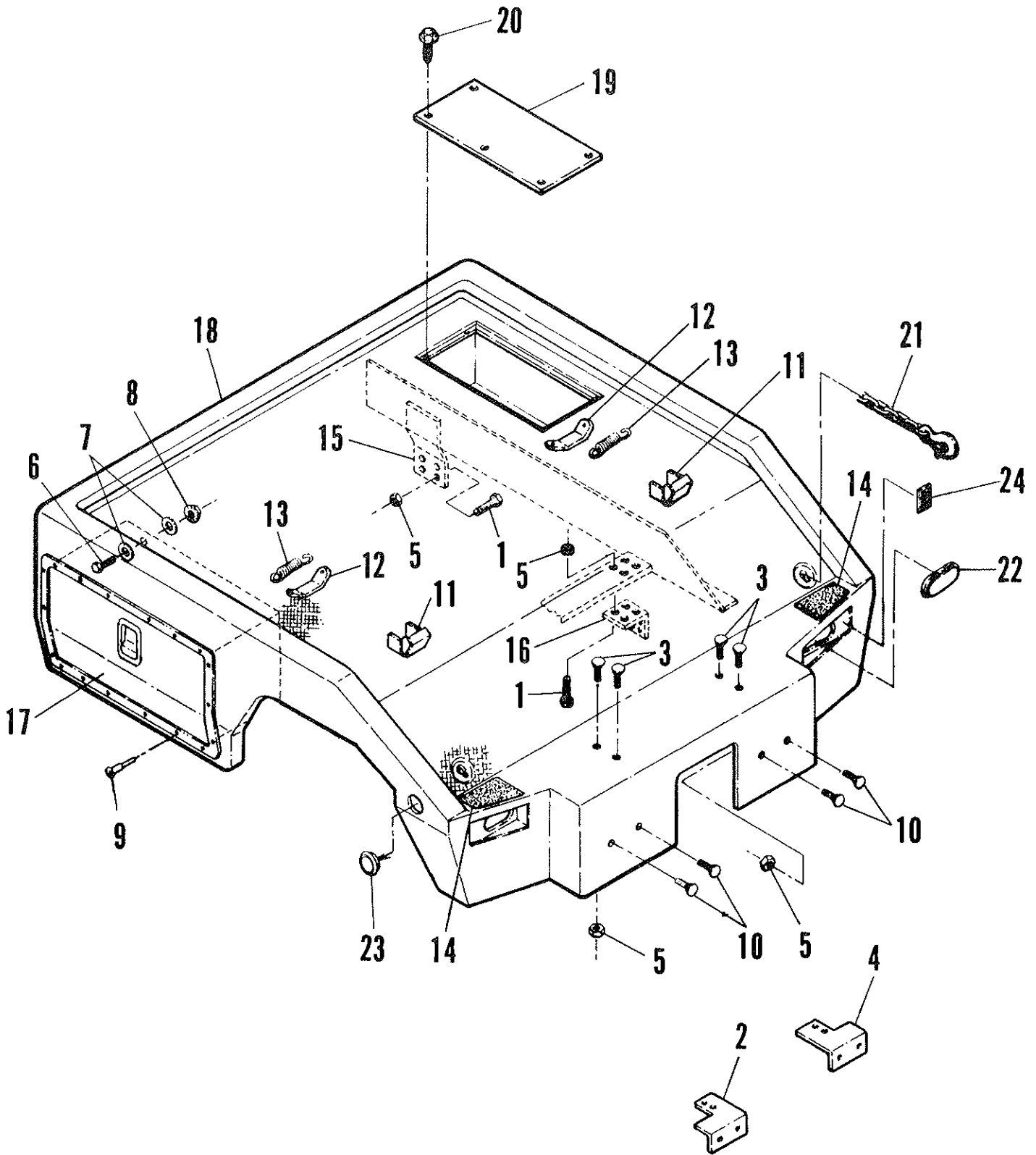
CENTURY

I-75 at Ooltewah Exit #11 • 8503 Hilltop Drive • Ooltewah, Tennessee 37363 • (615) 238-4171

Mailing Address: P.O. Box 120 • Ooltewah, Tennessee 37363 • Telex: 856967 CENWKRTN UD • FAX (615) 238-5371

FORM NO. 0500204-N89
PRICE \$15.00

Section VI - PARTS METRO I - BODY ASSEMBLY



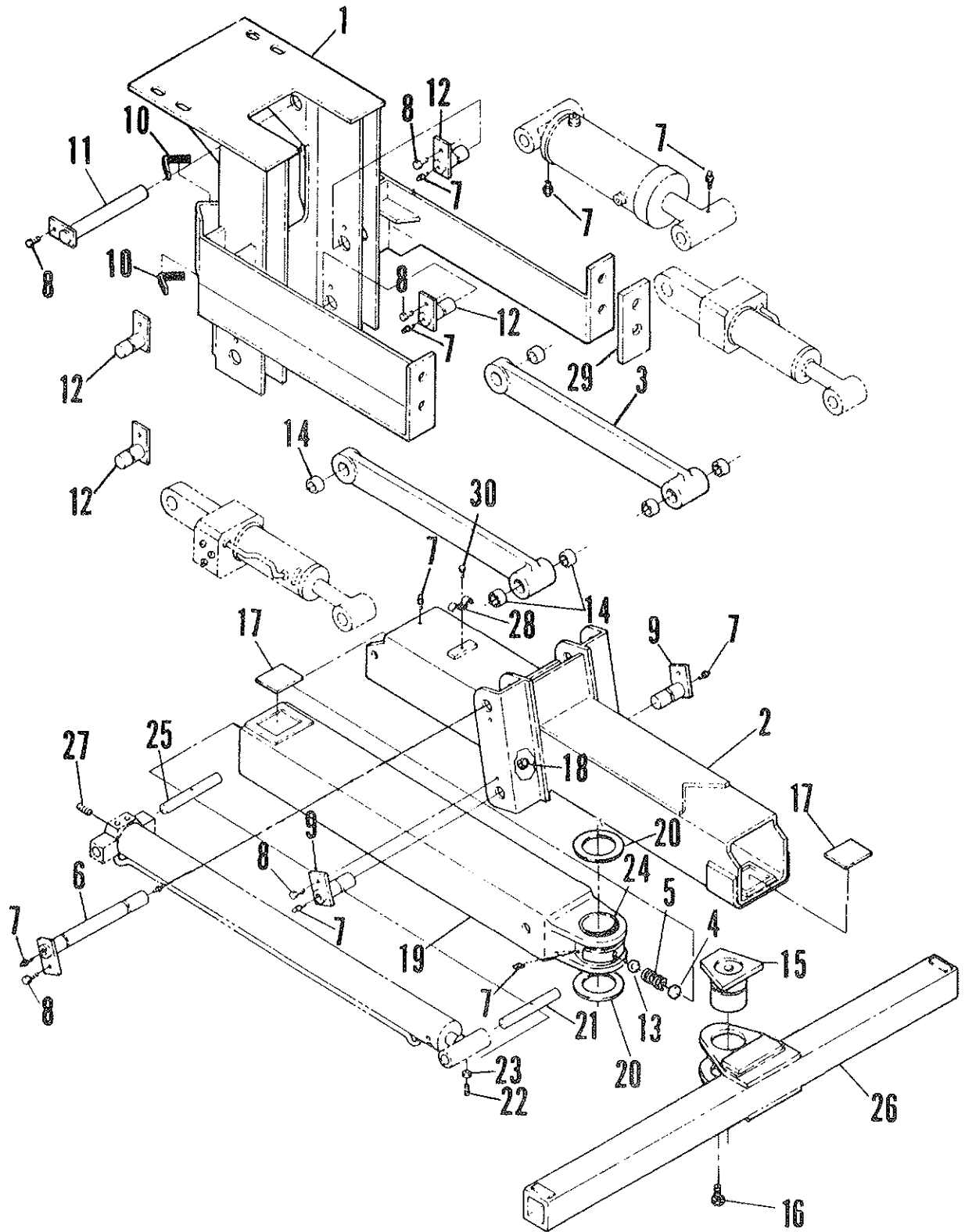
Section VI - PARTS

METRO I - BODY ASSEMBLY

REF. NO.	NO. REQ'D.	PART NUMBER	DESCRIPTION
1	12	0400177	SCREW, 1/2" - 13 X 1 1/4" HEX. HD. CAP, GR. 5 PL.
2	1	0702209	TAILGATE BOLT ANGLE L.H.
3	4	0400200	SCREW, 1/2" - 13 X 2" CARRIAGE BOLT
4	1	0702208	TAILGATE BOLT ANGLE R.H.
5	36	0400408	NUT, 1/2" - 13 NYLON LOCK
6	3	0400122	SCREW, 3/8" - 16 X 1 1/4" HEX. HD. CAP, GR. 5 PL.
7	6	0400480	WASHER, FLAT, 3/8"
8	3	0400392	NUT, 3/8" - 16 NYLON LOCK
9	18	0400567	RIVET, 1/8" DIA. X 1/4" GRID
10	4	0400201	SCREW, 1/2" - 13 X 1 1/2" CARRIAGE BOLT
11	2	0702959	HOLDER, TIRE RESTRAINT
12	2	0703143	HOLDER, TIRE RESTRAINT
13	2	0301416	SPRING, TIRE RESTRAINT
14	2	0301958	SKUFF PAD, SAFETY CHAIN
15	2	0702202	BRACKET, FRONT MOUNTING
16	2	0702207	BRACKET, REAR MOUNTING
17	1	0801268	32" TOOLBOX (see Page 30 for Parts List)
18	1	0801358	BODY WELDMENT
19	1	0704277	PLATE, ACCESS COVER
20	5	0400062	SCREW, 1/4" - 20 X 3/4" THREADCUTTING HEX. WASHER HD. PL.
21	2	0301932	CHAIN, 5/16" X 10' LG. W/ LATCH HOOKS
22	2	0301390	STOP & TURN LIGHT
23	2	0301741	LIGHT, RED MARKER
24	2	0301504	RED REFLECTOR

Section VI - PARTS

WHEEL LIFT ASSEMBLY - Duplex Tilt



Section VI - PARTS

WHEEL LIFT ASSEMBLY - Duplex Tilt

REF. NO.	NO. REQ'D.	PART NUMBER	DESCRIPTION
1	1	0801006	FRAME WELDMENT
2	1	0801004	OUTER BOOM WELDMENT
3	2	0900883	UPPER ARM ASS'Y - INCLUDES ITEMS 25 & 26
4	1	0702546	SPACER
5	1	0301197	SPRING, DETENT
6	1	0801009	UPPER SHAFT WELDMENT, BOOM
7	13	0300113	GREASE FTG., 1/4" - 28 STR.
8	8	0400141	SCREW, 3/8" - 16 X 7/8" LG. HEX. HD. GR. 5 PL.
9	2	0801010	LOWER SHAFT WELDMENT, BOOM
10	4	0703422	HOSE GUARD
11	1	0801012	SHAFT, LIFT CYLINDER
12	4	0801011	SHAFT WELDMENT, ARM
13	1	0301398	BALL, DETENT
14	6	0301845	BUSHING
15	1	0801073	PIN, CROSS TUBE PIVOT
16	2	0701956	SCREW, 1/2" - 13 X 1" LG. HEX. HD. CAP. GR. 5
17	2	0301850	SLIDE PAD, NYLATRON
18	8	0400390	JAM LOCK NUT, 3/8" - 16 NC HEX., PL.
19	1	0801076	INNER BOOM WELDMENT - INCLUDES ITEM 24
20	2	0703640	THRUST WASHER
21	1	0702131	SHAFT, CYLINDER
22	1	0400139	SET SCREW, 3/8" - 16 NC X 1 1/2" LG. ALLEN HD.
23	1	0400392	LOCKNUT, 3/8" - 16 NC NYLOK, PL.
24	1	0301914	BUSHING
25	1	0703345	SHAFT, EXTEND CYLINDER
26	1	0801074	CROSS TUBE, INNER WELDMENT, Duplex Tilt
27	1	0400129	SET SCREW, 3/8" - 16 NC X 3/4" CUP POINT ALLEN HD.
28	2	0301601	CLAMP
* 29	--	0701941	WHEEL LIFT MTG. SPACER
30	1	0400060	SCREW, 1/4" - 20 NC X 1/2" LG. GR. 5 PL. CAP

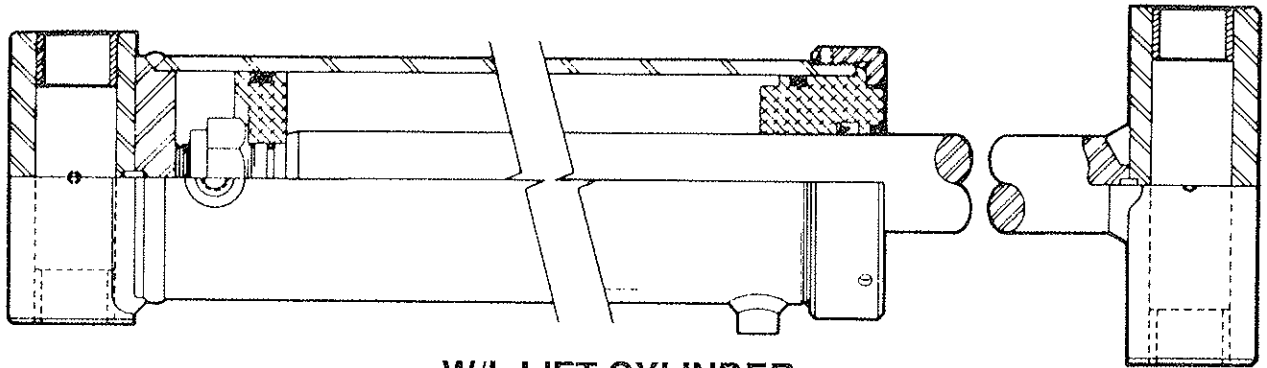
* Used as needed in centering Wheel lift (Left-to Right)

Section VI - PARTS

WHEEL LIFT/DUPLEX TILT HYDRAULICS

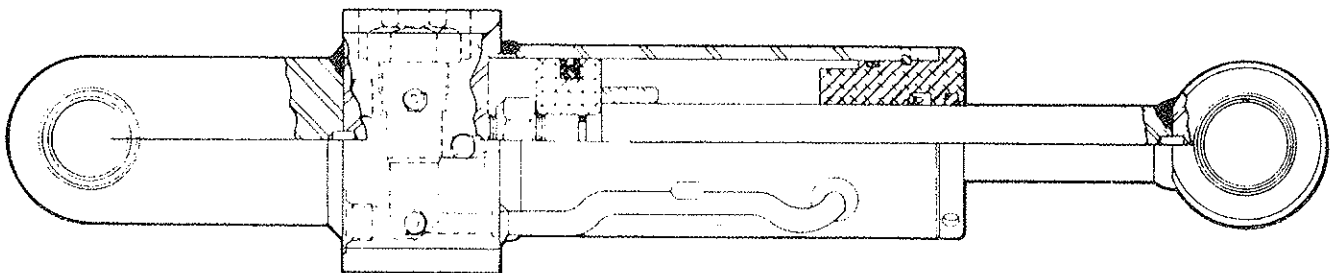
REF. NO.	NO. REQ'D.	PART NUMBER	DESCRIPTION
1	8	0300142	ELBOW, 3/8" J.I.C. x 1/4" NPT, 90°
2	1	0300188	HOSE, CLAMP, 1 1/2" INSULATED
3	2	0301377	TEE, 3/8" J.I.C. MALE
4	4	0301403	HOSE ASSEMBLY, 80 1/2" LG.
5	1	0301424	CONNECTOR, 3/8" J.I.C. x 1/4" NPT
6	2	0301581	HOSE ASSEMBLY, 119" LG.
7	1	0301696	ELBOW, 3/8" J.I.C. x 3/8" J.I.C., 90°
8	1	0301852	12 VOLT HYDRAULIC UNIT, 3 SPOOL
9	4	0301902	HOSE ASSEMBLY, 35" LG.
10	--	0301580	SKUFF JACKET
11	1	0301484	CYLINDER, LIFT
12	1	0301824	TILT CYLINDER, L.H.
13	1	0301823	TILT CYLINDER, R.H.
14	1	0301825	CYLINDER, EXTEND
15	1	0300133	CLAMP
16	1	0301473	HOSE ASSEMBLY, 18" LG.
17	2	0301485	HOSE ASSEMBLY, 81"
18	6	0301522	CONNECTOR, 3/8" J.I.C. x 3/8" SAE
19	1	0301900	HOSE ASSEMBLY
20	1	0301731	HOLDING VALVE
21	2	0400064	SCREW, 1/4" - 20 x 2 1/4" LG. RD. HD. PL.
22	2	0400451	FLATWASHER, 14" PL.
23	2	0400452	LOCKWASHER, 1/4" PL.
24	2	0400366	NUT, 1/4" - 20 HEX. PL.
25	1	0703001	BRACKET, CHECK VALVE MOUNTING
26	7	0300113	GREASE FTG., 1/4" STR.
27	2	0400101	SCREW, 5/16" - 18 x 1" RD. HD. SLOTTED S.S.
28	1	0301868	TEE, 1/4" F. NPT. x 1/4" F. NPT x 1/4" M. NPT.
29	1	0300209	ELBOW, 3/8" JIC x 3/8 NPT 90°

Section VI - PARTS
METRO I/Duplex Tilt WHEEL LIFT
HYDRAULIC CYLINDERS



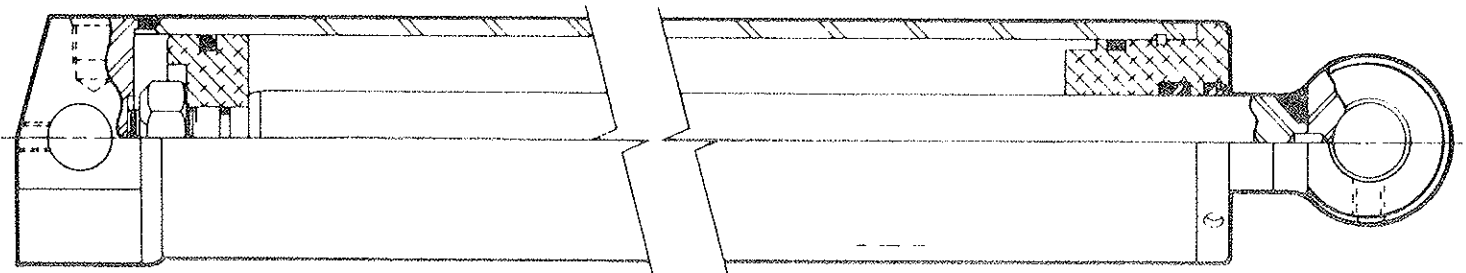
W/L LIFT CYLINDER

REF. NO.	NO. REQ'D.	PART NUMBER	DESCRIPTION
1	1	0301484	HYDRAULIC CYLINDER, LIFT (COMPLETE)
2	1	0304181	SEAL KIT, LIFT CYLINDER



W/L TILT CYLINDER

REF. NO.	NO. REQ'D.	PART NUMBER	DESCRIPTION
1	1	0301824	HYDRAULIC CYLINDER, TILT (COMPLETE) L.H.
2	1	0301823	HYDRAULIC CYLINDER, TILT (COMPLETE) R.H.
3	2	0304241	SEAL KIT, TILT CYLINDER

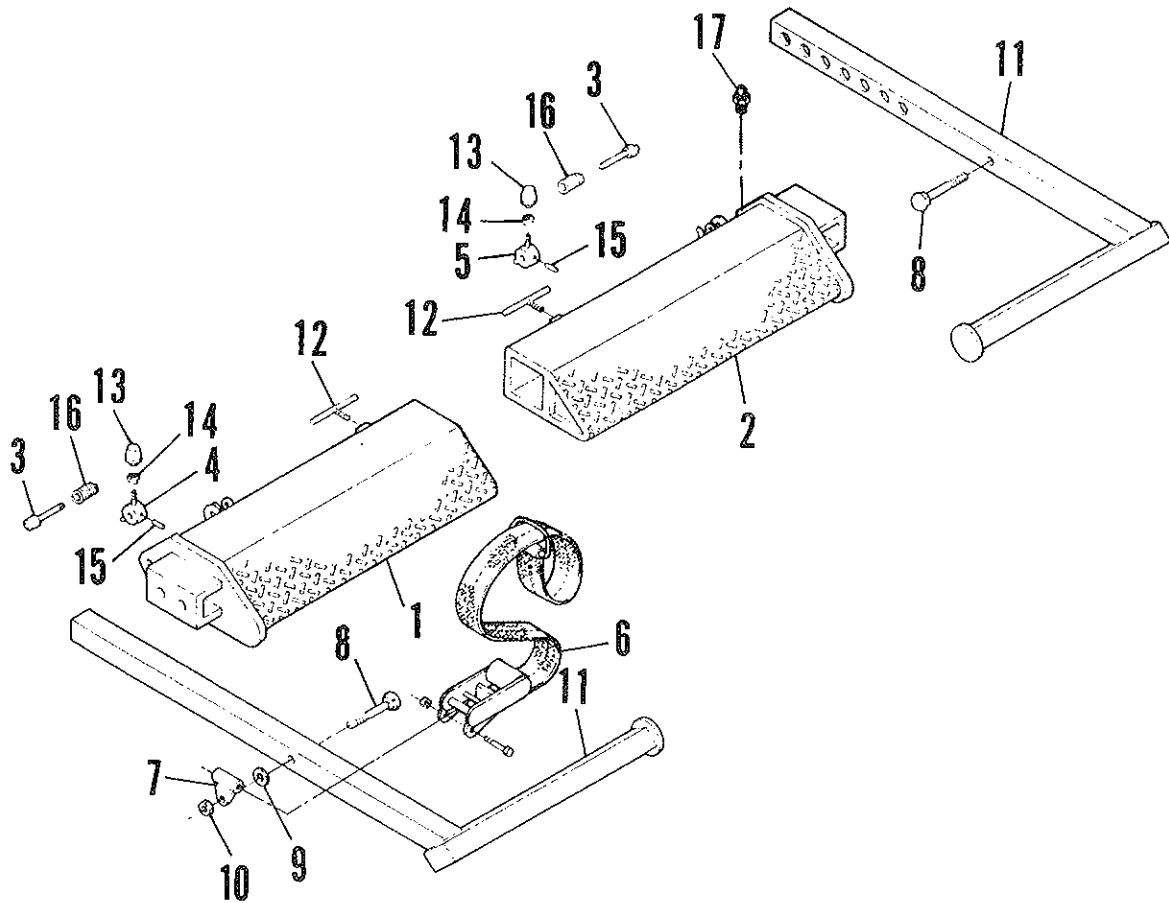


W/L EXTEND CYLINDER

REF. NO.	NO. REQ'D.	PART NUMBER	DESCRIPTION
1	1	0301825	HYDRAULIC CYLINDER, EXTEND (COMPLETE)
2	1	0304086	SEAL KIT, EXTEND CYLINDER

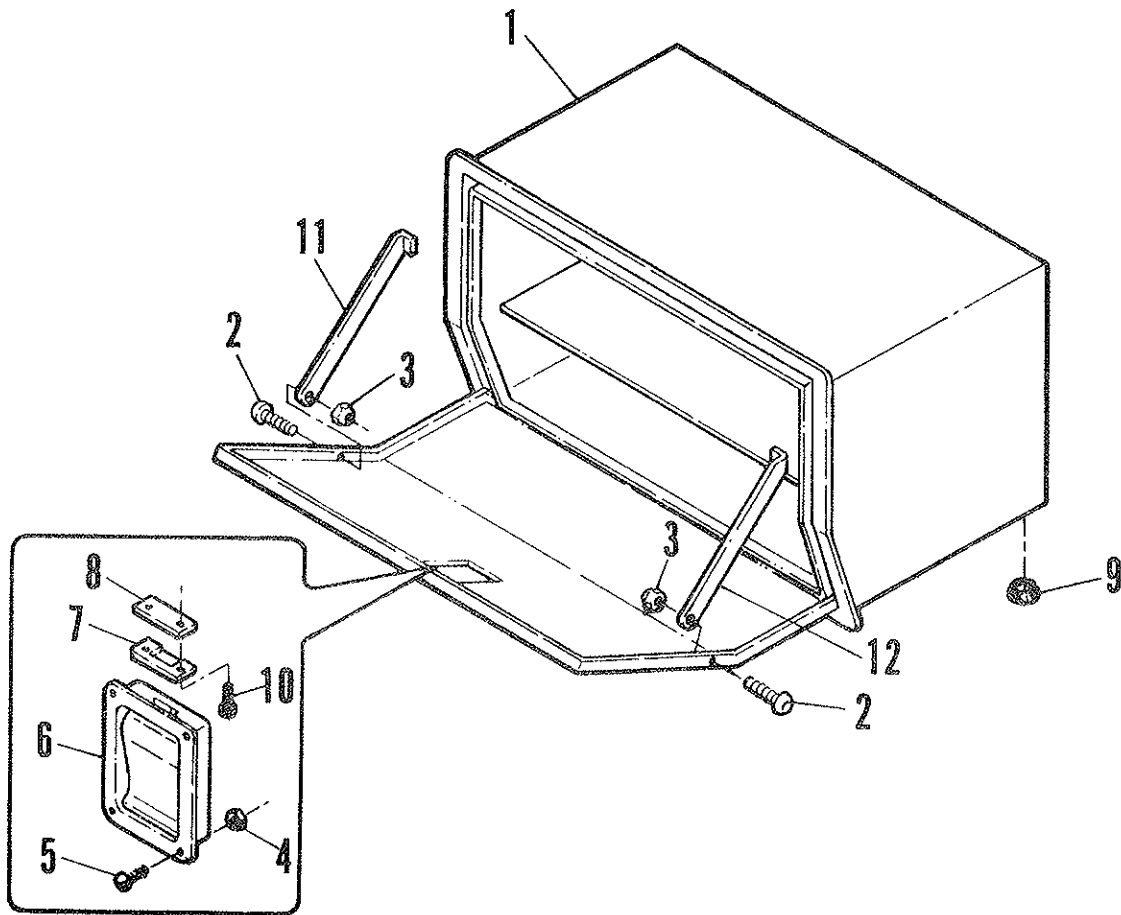
Section VI - PARTS

OUTER CROSS TUBE & SLIDE-IN TIRE RESTRAINT ASS'Y



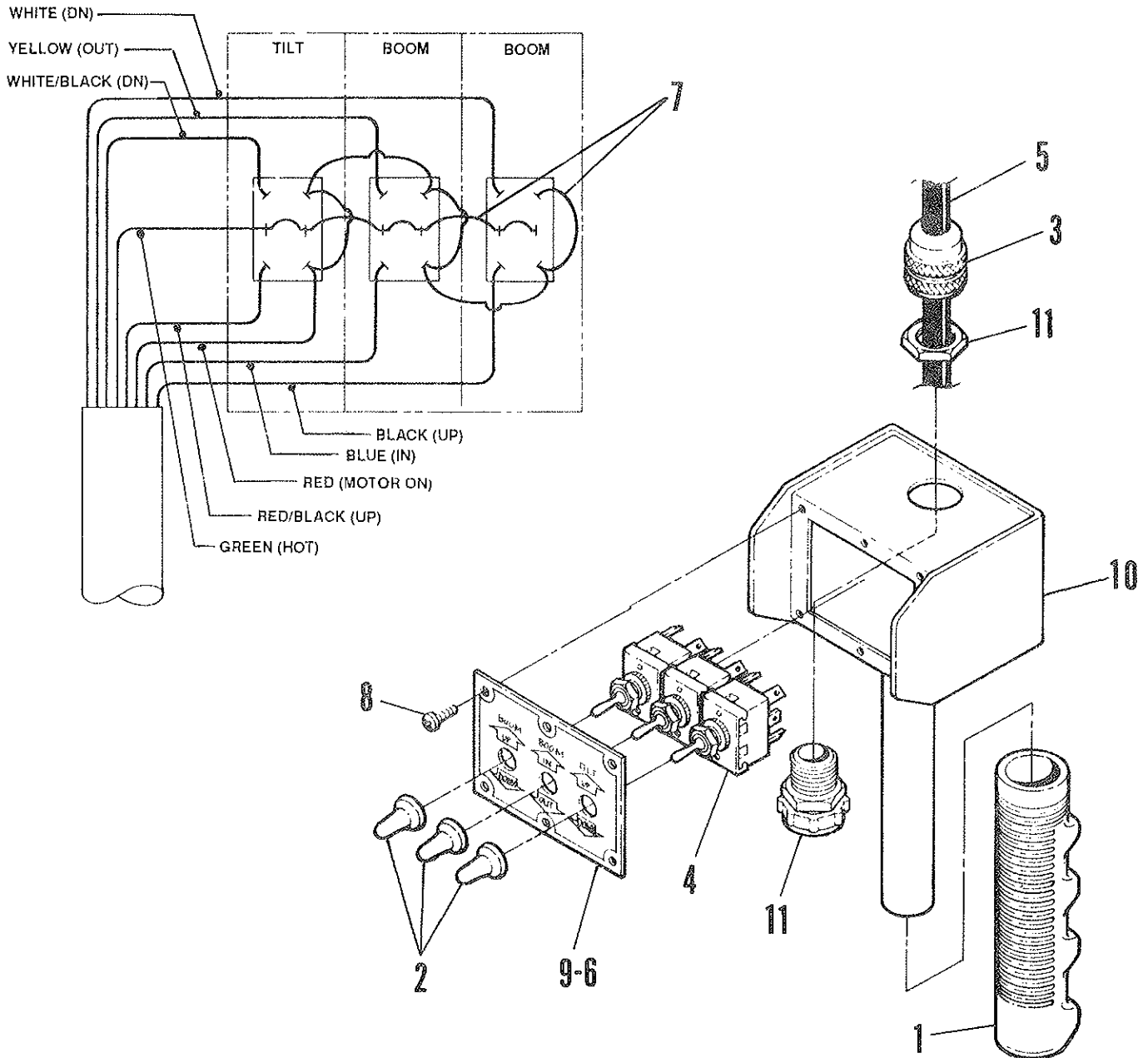
REF. NO.	NO. REQ'D.	PART NUMBER	DESCRIPTION
1	1	0800912	CROSS TUBE, LEFT OUTER
2	1	0800913	CROSS TUBE, RIGHT OUTER
3	2	0701916	PIN, PLUNGER
4	1	0800837	HANDLE, LEFT PLUNGER
5	1	0800838	HANDLE, RIGHT PLUNGER
6	2	0301399	RATCHET, TIE DOWN (INCLUDES SCREW & NUT)
7	2	0800583	PIVOT, TIE DOWN
8	2	0400161	BOLT, 3/8" - 16 X 2-3/4" CARRIAGE GR. 5 PL.
9	2	0400480	WASHER, 3/8" FLAT PL.
10	2	0400390	NUT, 3/8" - 16 JAM LOCK HEX PL.
11	2	0800897	RESTRAINT, TIRE
12	2	0800590	HANDLE, TEE
13	2	0300341	KNOB
14	2	0400393	NUT, 3/8" - 16 JAM
15	2	0400560	PIN, 5/32" X 1" LG. ROLL
16	2	0301416	SPRING, PLUNGER
17	2	0300113	GREASE FITTING, STRAIGHT

Section VI - PARTS TOOL BOX



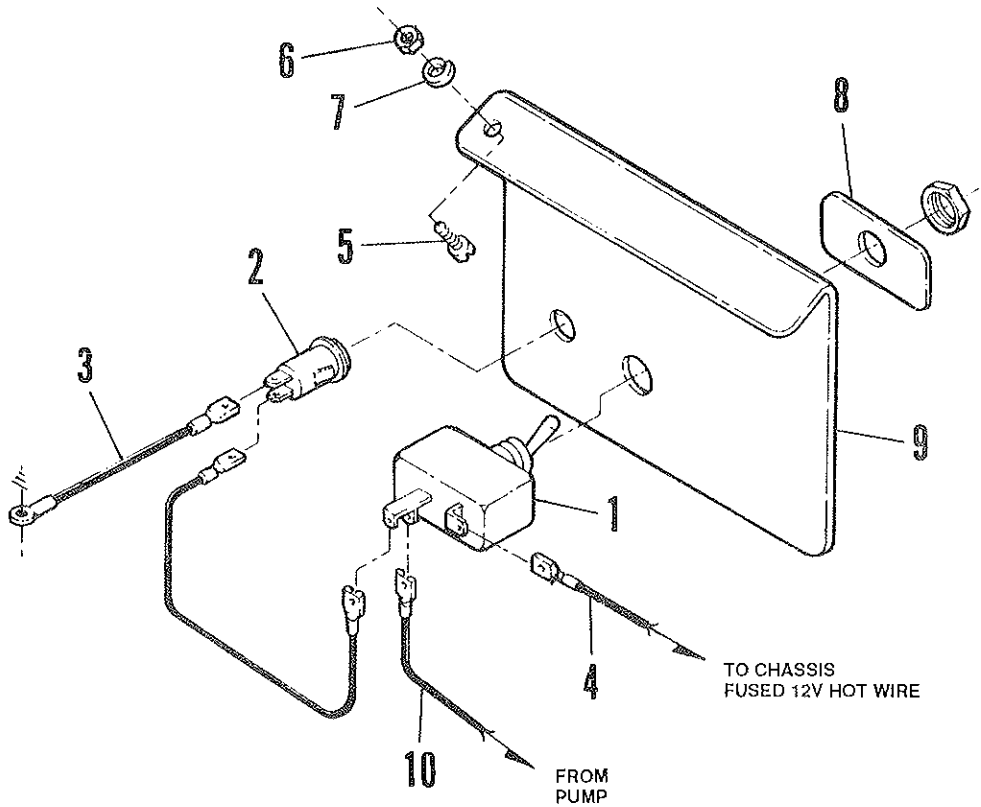
REF. NO.	NO. REQ'D.	PART NUMBER	DESCRIPTION
1	1	0801268	32" TOOL BOX
2	2	0400050	SCREW, #10 - 24 x 3/8" RD. HD. SOCKET
3	2	0400358	LOCKNUT, #10 - 24
4	4	0400351	NUT, #8 - 32 KEPS
5	4	0400021	SCREW, #8 - 32 x 1/2" LG.
6	1	0300027	DOOR LATCH
7	1	0300028	DOOR STRIKER
8	2	0701675	STRIKER SPACER
9	1	0300032	PLUG, 1" DIA. HOLE
10	2	0400045	SCREW, #10 - 32 x 1/2" LG.
11	1	0705074	STOP BAR, LEFT
12	1	0705334	STOP BAR, RIGHT

Section VI - PARTS HAND CONTROL UNIT



REF. NO.	NO. REQ'D.	PART NUMBER	DESCRIPTION
1	1	0301453	HANDLE GRIP
2	3	0301454	TOGGLE BOOT SEAL
3	1	0301456	CABLE SEALING GRIP
4	3	0301458	TOGGLE SWITCH, 3 POSITION
5	1	0301856	CONTROL CABLE HARNESS
6	1	0301857	SWITCH PANEL GASKET
7	4	0301859	WIRE ASSEMBLY
8	6	0400045	SCREW, #10 - 32 x 1/2" S.S. PHILLIPS, THREAD CUTTING
9	1	0500277	SWITCH PANEL, DUPLEX
10	1	0801032	CONTROL BOX
11	1	0900616	HARDWARE KIT, ELECTRIC CONTROL

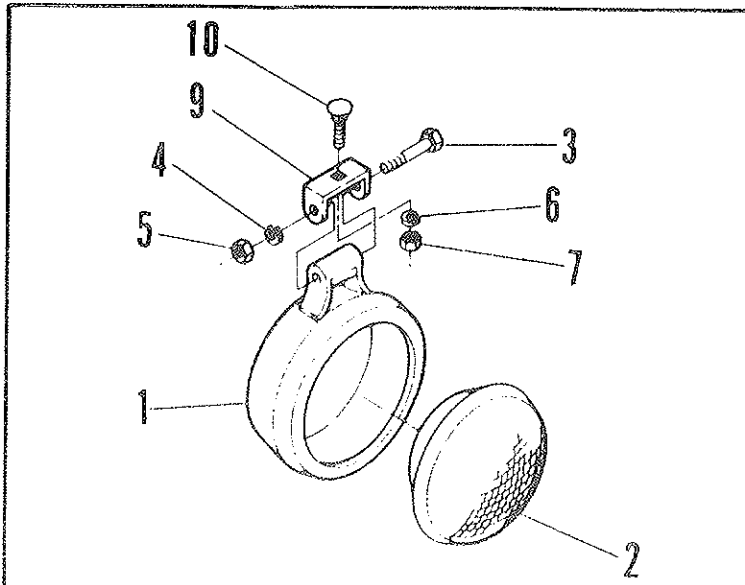
Section VI - PARTS MASTER ON/OFF SWITCH



REF. NO.	NO. REQ'D.	PART NUMBER	DESCRIPTION
1	1	0300602	TOGGLE SWITCH
2	1	0301347	LIGHT, RED
3	1	0301495	GROUND WIRE
4	1	0301498	HOT WIRE
5	2	0400043	SCREW, #10 - 24 x 1", PHILLIPS HD. S.S.
6	2	0400356	NUT, #10 - 24
7	2	0400520	LOCKWASHER, #10 -24
8	1	0500181	DECAL, ON/OFF
9	1	0702227	SWITCH PANEL, MASTER ON/OFF
10	1	0301497	HOT WIRE, HAND CONTROL

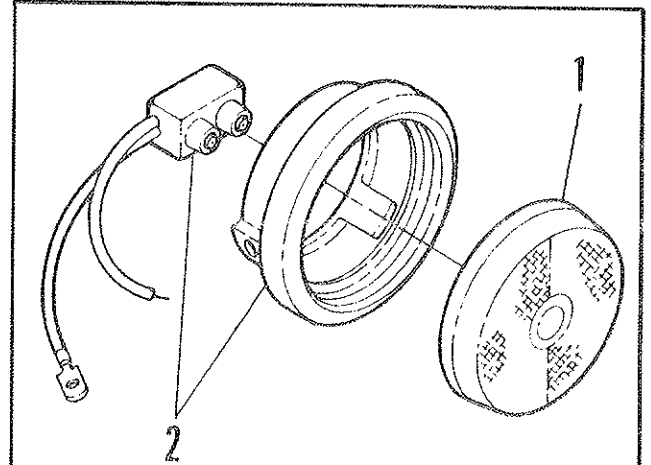
Section VI - PARTS

LIGHT KIT



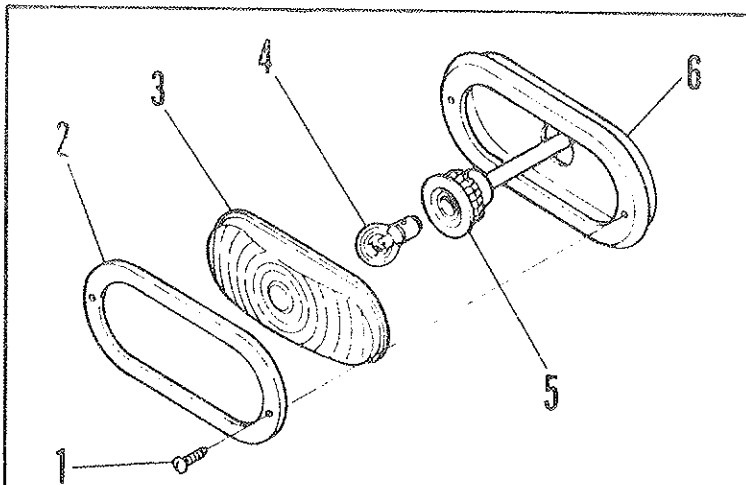
BACK-UP LIGHT

- 1 0304147 HOUSING, BACK-UP LIGHT
- 2 0304152 BULB, BACK-UP LIGHT
- 3 0304151 PIVOT SCREW, BACK-UP LIGHT
- 4 0304150 PIVOT SCREW LOCKWASHER, BACK-UP LT
- 5 0304153 PIVOT SCREW NUT, BACK-UP LIGHT
- 6 0304150 MTG. SCREW LOCKWASHER, BACK-UP LT
- 7 0304158 MTG. SCREW NUT, BACK-UP LIGHT
- 8 0301505 LIGHT, BACK-UP COMPLETE
- 9 0304148 MOUNTING BRACKET
- 10 0304149 MOUNTING SCREW, BACK-UP LIGHT



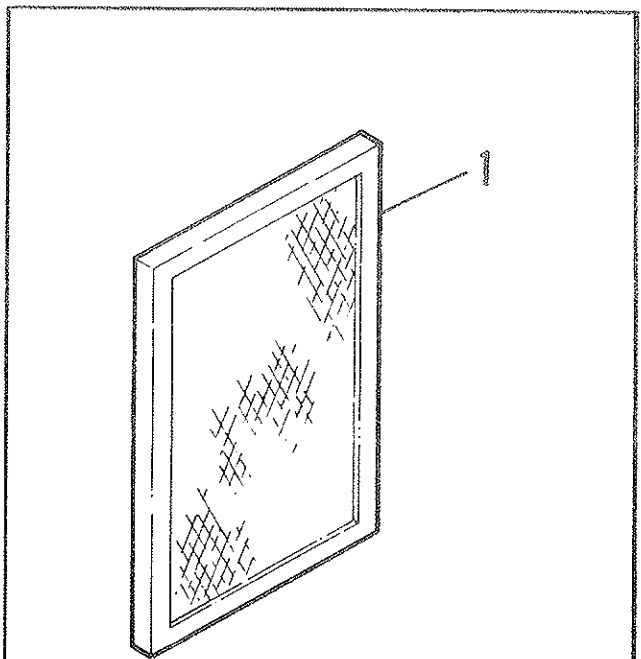
MARKER LIGHTS

- 1 0301741 LIGHT ASS'Y., RED
- 2 0301740 GROMMET MOUNTING KIT



STOP & TURN LIGHT

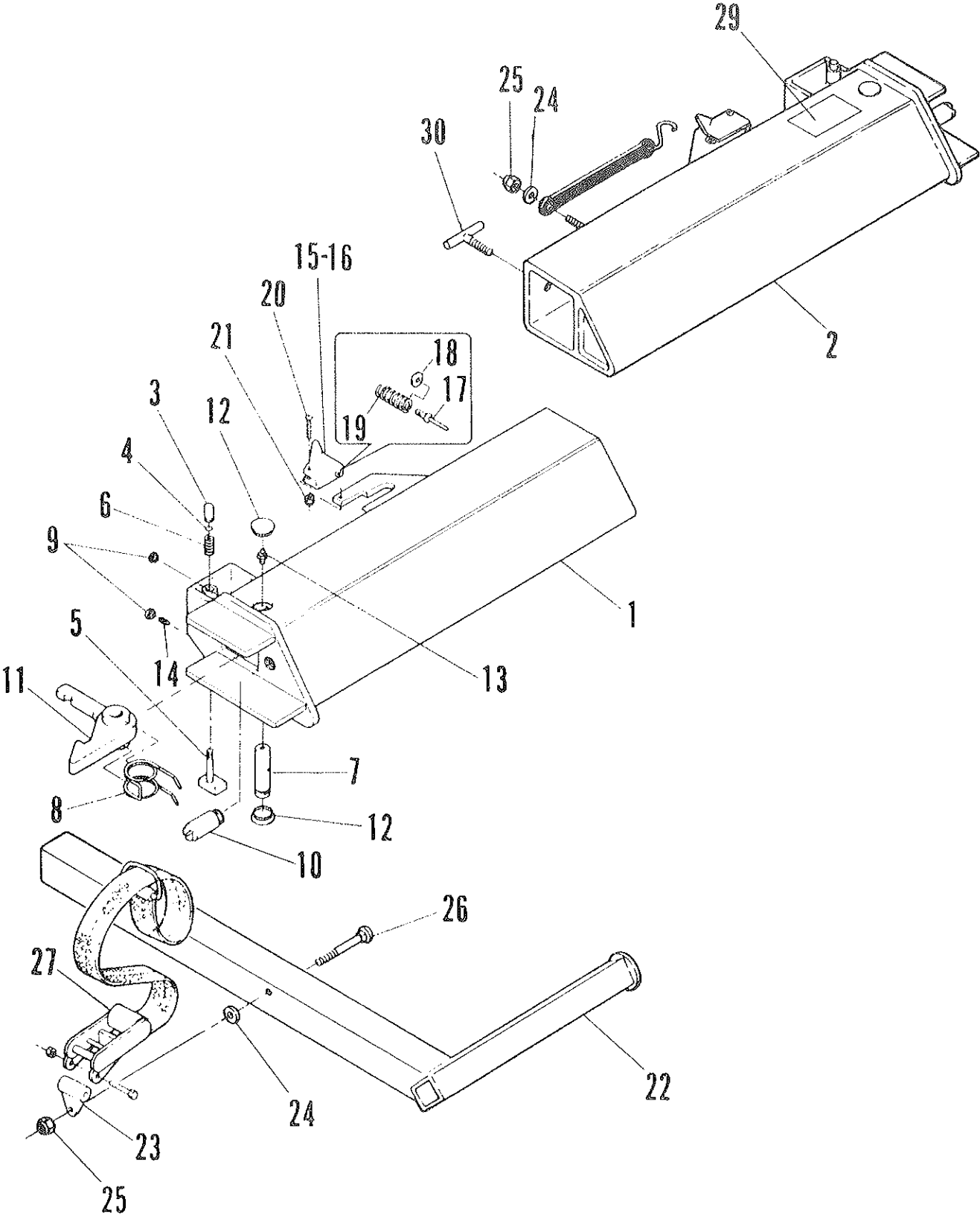
- 1 0304123 BEZEL MTG. SCREW, STOP & TURN LIGHT
- 2 0304124 CHROME BEZEL, STOP & TURN LIGHT
- 3 0304125 LENS ASS'Y., STOP & TURN LIGHT
- 4 0300498 BULB STOP & TURN LIGHT
- 5 0304126 LIGHT SOCKET, STOP & TURN LIGHT
- 6 0304127 RUBBER MTG. GROMMET, STOP & TURN LT
- 7 0301390 LIGHT, STOP & TURN COMPLETE



RED REFLECTOR

- 1 0301504 RED REFLECTOR

Section VII - OPTIONAL EQUIPMENT OUTER CROSS TUBE & SNAP-IN TIRE RESTRAINT

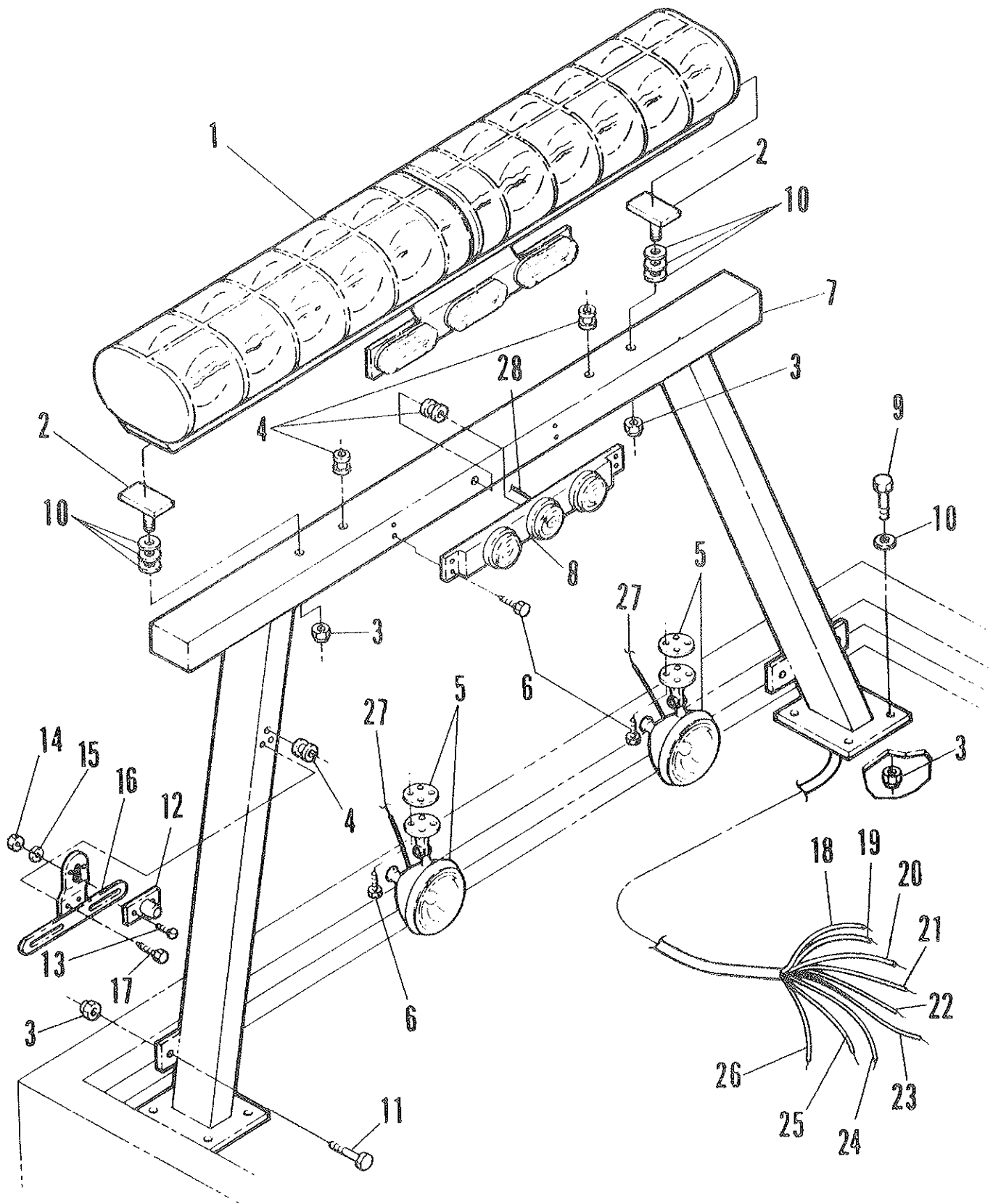


Section VII - OPTIONAL EQUIPMENT

OUTER CROSS TUBE & SNAP-IN TIRE RESTRAINT

REF. NO.	NO. REQ'D.	PART NUMBER	DESCRIPTION
1	1	0801477	CROSSTUBE, L.H. OUTER
2	1	0801478	CROSSTUBE, R.H. OUTER
3	2	0704992	BUTTON, PLUNGER
4	2	0302153	"O"-RING, LATCH BUTTON
5	2	0801474	LOCK, LATCH
6	2	0302154	PLUNGER, SPRING
7	2	0704991	PIN, LATCH
8	2	0302156	SPRING, LATCH TORSION
9	4	0302152	PLUG, 1/2" HOLE
10	2	0704993	PIN, GUIDE
11	2	0200004	LATCH, RETAINING
12	4	0901201	PLUG, 1 1/4" HOLE
13	2	0300113	FITTING, GREASE
14	2	0400036	SCREW, 1/4 - 20 x 5/16" LG. SOCKET SET
15	2	0901203	HOOK LATCH ASS'Y (INCLUDES ITEMS 16-21)
16	2	0704994	LATCH, CHAIN HOOK
17	2	0400576	RIVET, POP
18	2	0400519	WASHER, FLAT
19	2	0302155	SPRING, CHAIN HOOK LATCH
20	2	0400036	SCREW, #10 - 32 x 1" LG. RD. HD. SLOTTED MACH. PL.
21	2	0400357	NUT, #10 - 32 NYLON LOCK PL.
22	2	0801472	RESTRAINT, TIRE
23	2	0800583	PIVOT, TIE DOWN
24	2	0400480	WASHER, 3/8" FLAT PL.
25	2	0400390	NUT, 3/8" - 16 ESLOK JAM
26	2	0400161	BOLT, 3/8" - 16 x 2 3/4" LG. GR. 8 PL. CARRIAGE
27	2	0301399	STRAP, TIE DOWN W/RATCHET
28	3	0500241	DECAL, SAFETY CHAIN WARNING
29	2	0500397	DECAL, SNAP (LATCH WARNING)
30	2	0800590	TEE HANDLE

Section VII - OPTIONAL EQUIPMENT LIGHTING ACCESSORIES



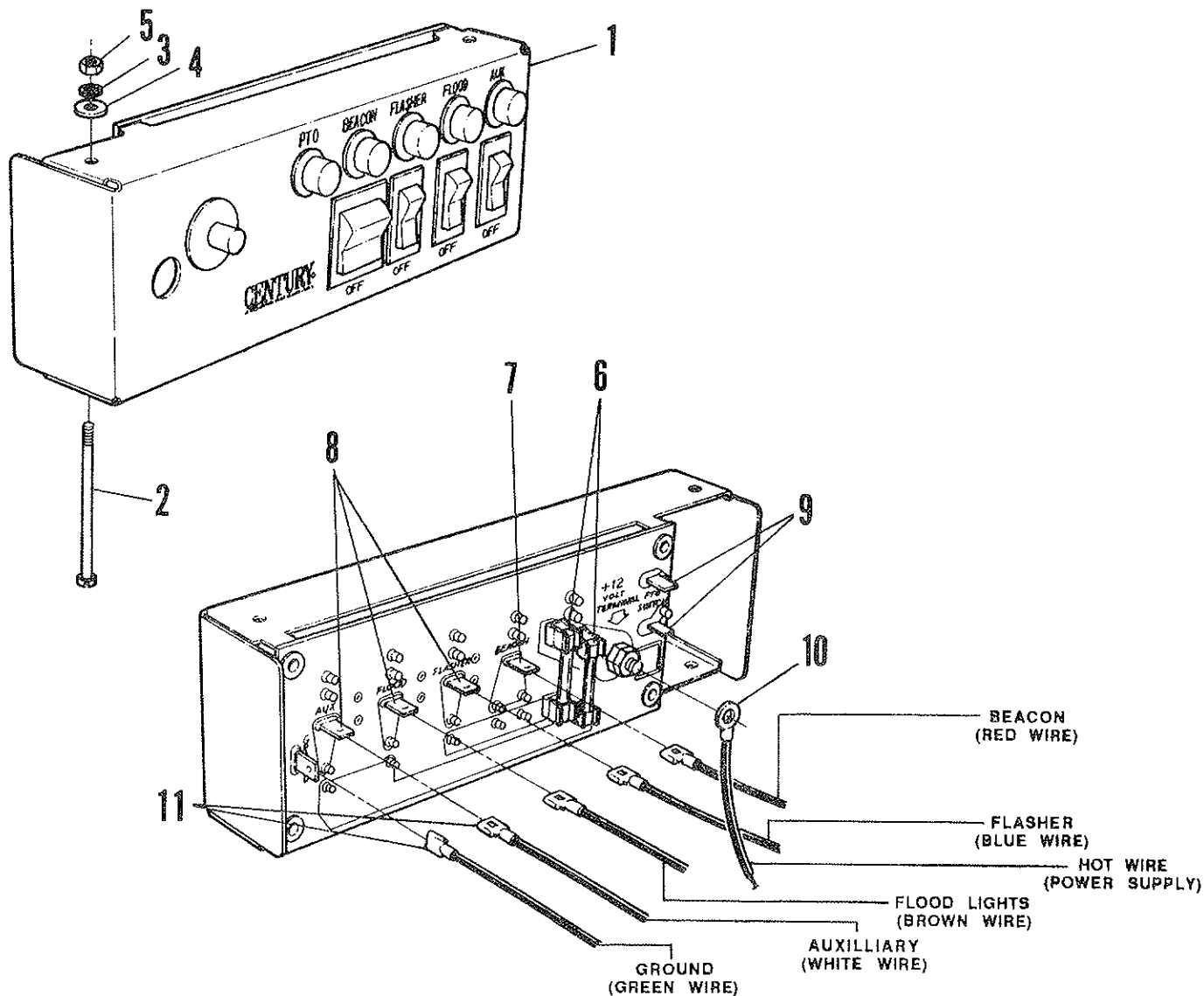
Section VII - OPTIONAL EQUIPMENT LIGHTING ACCESSORIES

REF. NO.	NO. REQ'D.	PART NUMBER	DESCRIPTION
1	1	0301359	WRECKER SPECIAL LIGHT
2	2	0800539	"T" BOLT ADAPTOR
3	6	0400392	NUT, 3/8" - 16 HEX HD. NYLOK
4	4	0300117	RUBBER GROMMET
5	2	0300095	SPOTLIGHT W/GASKET
6	12	0400027	SCREW, #8 - 32 x 5/8" SELF-TAPPING
7	1	0801107	LIGHT BAR FOR WRECKER
8	1	0300442	3 BAR LIGHT
9	4	0400122	SCREW, 3/8" - 16 x 1 1/4" HEX. HD.
10	14	0400480	FLAT WASHER, 3/8"
11	4	0400126	SCREW, 3/8" - 16 x 1" HEX. HD.
12	1	0300273	LICENSE PLATE ILLUMINATOR
13	2	0400061	SCREW, 1/4" - 20 x 3/4" PAN HD.
14	2	0400366	NUT, 1/4" - 20 PLAIN
15	2	0400452	LOCKWASHER, 1/4"
16	1	0300076	LICENSE PLATE HOLDER
17	2	0400062	SCREW, 1/4" - 20 x 3/4" THREAD CUT HEX. HD.

WIRING

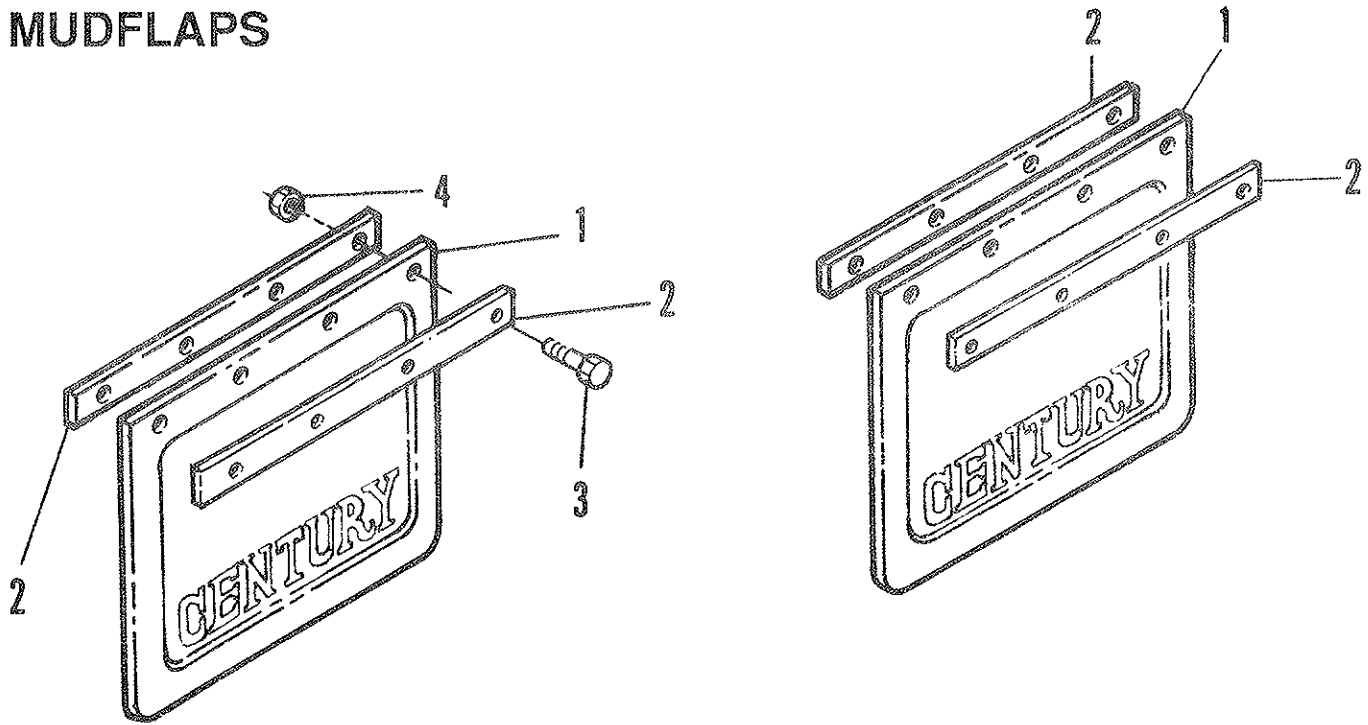
REF. NO.	COLOR	DESCRIPTION	TERMINATION
18	GREY		NOT CONNECTED
19	BROWN		NOT CONNECTED
	W/WHITE STRIPE		
20	BLUE	FLASHING LIGHTS	CONNECT TO RED (21) RUN TO PANEL
21	RED	ROTATING LIGHTS	CONNECT TO BLUE (20)
22	BROWN	TAIL LIGHTS	CONNECT TO BLACK ON BODY HARNESS
23	ORANGE	FLOOD LIGHTS	CONNECT TO BROWN ON BODY HARNESS
24	BLACK	GROUND	CONNECT TO CHASSIS OR BODY
25	GREEN	R. TURN/STOP	CONNECT TO BLUE ON BODY HARNESS
26	YELLOW	L. TURN/STOP	CONNECT TO YELLOW ON BODY HARNESS
27	BLACK	SPOTLIGHTS	CONNECT TO BROWN ON BODY HARNESS
28	BLACK	3-BAR LIGHT	CONNECT TO BLACK ON BODY HARNESS

Section VII - OPTIONAL EQUIPMENT DASHBOARD PANEL



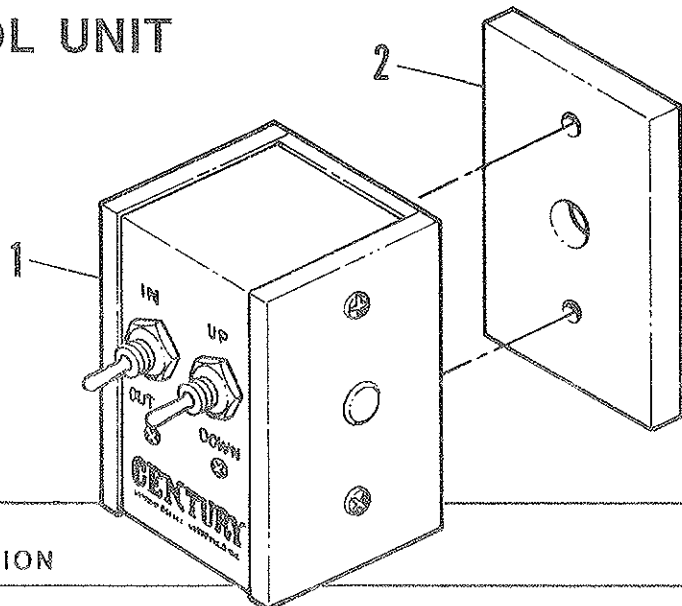
REF. NO.	NO. REQ'D.	PART NUMBER	DESCRIPTION
1	1	0304155	SWITCH PANEL HOUSING
2	2	0304156	MTG. SCREW #10 - 32 X 3-3/8"
3	2	0304157	LOCKWASHER, #10 EXT. TOOTH
4	1	0304158	FLATWASHER, #10
5	2	0304166	NUT, 10 - 32
6	2	0304162	CIRCUIT BREAKER, 40 AMP
7	1	0304154	SWITCH, DOUBLE POLE, SINGLE THROW
8	2	0304006	SWITCH, SINGLE POLE, SINGLE THROW
9	1	0304164	PTO LIGHT SWITCH
10	1	0301503	RING CONNECTOR
11	3	0304165	SPADE CONNECTOR

Section VII - OPTIONAL EQUIPMENT MUDFLAPS



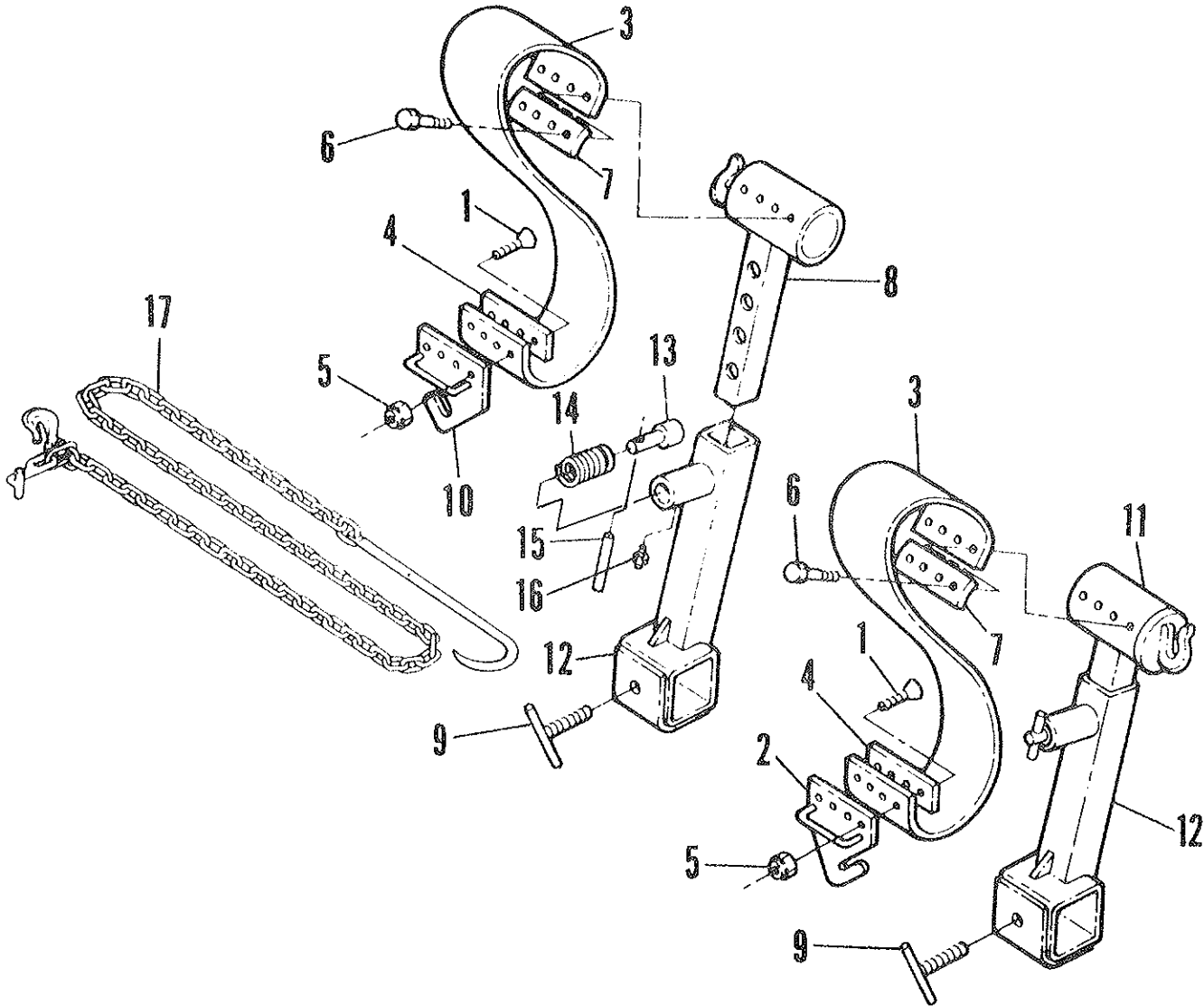
REF. NO.	NO. REQ'D.	PART NUMBER	DESCRIPTION
1	2	0301518	MUD FLAP
2	4	0702210	MUD FLAP BAR
3	8	0400126	SCREW, 3/8" - 16 x 1" LG. HEX. HD. CAP
4	8	0400392	NUT, 3/8" - 16 NYLON LOCK

METRO I IN-CAB CONTROL UNIT



REF. NO.	NO. REQ'D.	PART NUMBER	DESCRIPTION
1	1	0301380	IN-CAB CONTROL SWITCH
2	1	0701757	SPACER PLATE, IN-CAB CONTROL SWITCH

Section VII - OPTIONAL EQUIPMENT TOW SLING ADAPTORS



REF. NO.	NO. REQ'D.	PART NUMBER	DESCRIPTION
1	8	0400156	SCREW, 3/8" - 16 x 1 1/4" FLAT. HD. SOC.
2	1	0800608	CHAIN KEEPER, LEFT
3	2	0701919	TOW SLING BELT
4	2	0701920	GRIP PLATE
5	8	0400392	NUT, 1/8" - 16 NYLOK
6	8	0400105	SCREW, 5/8" - 18 x 1 1/4" SELF-TAPPING
7	2	0701921	BELT RETAINER
8	1	0800693	INNER ADJUSTMENT TUBE, RIGHT
9	2	0800590	TEE HANDLE
10	1	0800609	CHAIN KEEPER, RIGHT
11	1	0800692	INNER ADJUSTMENT TUBE LEFT
12	2	0800823	MOUNTING BRACKET
13	2	0700154	PIN, PLUNGER
14	2	0300004	SPRING, PLUNGER
15	2	0400568	ROLL PIN
16	2	0300113	GREASE FITTING
17	2	0900176	"J" HOOK ASS'Y

CENTURY

I-75 at Ooltewah Exit #11 • 8503 Hilltop Drive • Ooltewah, Tennessee 37363 • (615) 238-4171

Mailing Address: P.O. Box 120 • Ooltewah, Tennessee 37363 • Telex: 856967 CENWKRTN UD • FAX (615) 238-5371