



OWNER'S MANUAL

MODEL 812

PARTS

**NOTE: MANUAL including SPECIFICATIONS, subject to change without notice.
All ratings specified are based on structural factors only,
not vehicle capacities or capabilities.**



Miller Industries Towing Equipment Inc.
8503 Hilltop Drive
Ooltewah, Tennessee 37363
Phone (423) 238-4171 • FAX (423) 238-5371

FORM NO. 0501776
11 / 2011
PRICE \$25.00

LIMITED WARRANTY

MILLER INDUSTRIES TOWING EQUIPMENT INC., hereinafter referred to as MILLER, warrants to the original purchaser that each new MILLER wrecker or other MILLER products will be free from defects in material and workmanship for a period of twelve (12) months from date placed in service, but in no event shall such warranty period exceed twenty-four (24) months from date of manufacture by MILLER. The purchaser must promptly notify MILLER in writing of any failure in material or workmanship. In no event shall MILLER accept such notification later than twenty-four (24) months from date of delivery or twelve (12) months from date placed in service, whichever is earlier.

MILLER's obligation under this warranty, statutory or otherwise, is limited to the repair or replacement at the MILLER factory, or at a point designated by MILLER, of such part or parts as shall appear upon inspection by MILLER to be defective in material or workmanship. New or remanufactured parts will be used for any replacement at MILLER's option. This warranty is not transferable. This warranty does not obligate MILLER to bear the cost of labor or transportation charges in connection with the repair or replacement of any parts found to be defective, nor shall it apply to a product upon which repairs or alterations have been made unless authorized by MILLER.

EXCEPT AS EXPRESSLY SET FORTH IN THIS WARRANTY, MILLER MAKES NO OTHER WARRANTY, EXPRESS OR IMPLIED, AND HEREBY DISCLAIMS ALL OTHER WARRANTIES INCLUDING, BUT NOT LIMITED TO, THE IMPLIED WARRANTIES OF MERCHANTABILITY AND FITNESS FOR A PARTICULAR PURPOSE. MILLER shall in no event be liable for claimed downtime, claimed loss of profits or goodwill, or any other special, incidental, indirect, or consequential damages concerning or relating to any product or parts, whether based on negligence, strict liability, breach of contract, breach of warranty, misrepresentation or any other legal theory, regardless of whether the loss resulted from any general or particular requirement which MILLER knew or had reason to know about at the time of sale.

MILLER MAKES NO WARRANTY, EXPRESS OR IMPLIED, AS TO THE FINISHED PRODUCTS MANUFACTURED OR SUPPLIED BY ANOTHER MANUFACTURER AND SUPPLIED BY MILLER TO PURCHASER, including, but not limited to, any vehicle to which a MILLER product may be affixed or any accessories or wire rope, and MILLER EXPRESSLY DISCLAIMS ANY IMPLIED WARRANTIES OF MERCHANTABILITY OR FITNESS FOR A PARTICULAR PURPOSE AS TO SUCH EQUIPMENT OR PRODUCTS. This language shall in no way affect or diminish the rights of the purchaser to rely on such warranties as are extended by such manufacturers or suppliers. MILLER shall, to the extent permitted under applicable law, pass on to the purchaser such manufacturer's or seller's warranty.

MILLER, whose policy is one of continuous improvement, reserves the right to improve its products through changes in design or materials as it may deem desirable without being obligated to incorporate such changes in products previously sold. This warranty is not intended to cover or include the following items, which are set forth by way of example and not limitation:

- A. Normal deterioration of trim, paint, lettering, and appearance items due to wear or exposure to weather, road conditions, road treatments, etc.
- B. Any damage or defect due to accident, misuse, abuse, improper or unauthorized repairs, failure to provide reasonable and necessary maintenance, or uses for which the equipment was not designed or intended.
- C. Alterations or modifications that affect performance, operation or reliability.
- D. Normal maintenance parts including, but not limited to, wear pads, bushings, wire rope, mud flaps, fenderettes, light bulbs, hydraulic oil, filters, and tow sling belts.

IT IS EXPRESSLY UNDERSTOOD THAT MILLER MAKES NO IMPLIED WARRANTY THAT MILLER PRODUCTS SHALL BE FIT FOR THE PURPOSE OF LIFTING OR MOVING PEOPLE OR FOR ANY OTHER IMPROPER USE.



Miller Industries Towing Equipment Inc.
8503 Hilltop Drive
Ooltewah, Tennessee 37363
Telephone (423) 238-4171

SERIAL NUMBER

OWNER, USER AND OPERATOR:

We appreciate your choice of our towing and recovery unit for your application. Our number one priority is user safety which is best achieved by our joint efforts. We feel that you can make a major contribution to safety if you, as the equipment owner and operator:

- 1. Comply with Federal, State, and Local Regulations.**
- 2. Read, Understand, and Follow the Instructions in this Manual.**
- 3. Use Good, Safe Work Practices in a Common Sense Way.**
- 4. Only have Authorized and Trained Personnel performing maintenance on the Towing and Recovery Unit.**

TABLE OF CONTENTS

It is assumed by the manufacturer that the Owner/Operator has a thorough knowledge of the accepted and lawful retrieval and towing methods as dictated by his city, county or state. The manufacturer rejects any liability claim that may result from the incorrect or unlawful application of its equipment.

Section I - PARTS

SUBFRAME ASSEMBLY	I-2 & I-3
BODY ASSEMBLY	I-4 & I-5
RECOVERY BOOM ASSEMBLY	I-6 & I-7
WHEEL LIFT BOOM ASSEMBLY	I-8 & I-9
CROSSBAR ASSEMBLY	I-10 & I-11
RECOVERY BOOM & WHEEL LIFT HYDRAULICS	I-12 & I-13
TANK, VALVE & FILTER HYDRAULICS	I-14 & I-15
BOOM SWIVEL ASSEMBLY	I-16
PARTS LIST	I-17 thru I-21

Section II - SCHEMATICS

WIRING HARNESS	II-1
ELECTRICAL SCHEMATIC	II-2
HYDRAULIC SCHEMATIC	II-3

Section I - PARTS

This Section is provided by the manufacturer for the purpose of ordering any component part of the **Vulcan 810 POWER TILT** that may be required when part replacement is necessary. Be certain to use only original equipment replacement parts for warranty purposes as well as for keeping your unit in its original state and optimum operating capacities.

When ordering replacement or spare parts be sure to provide the following information to the manufacturer's **Parts Department**.

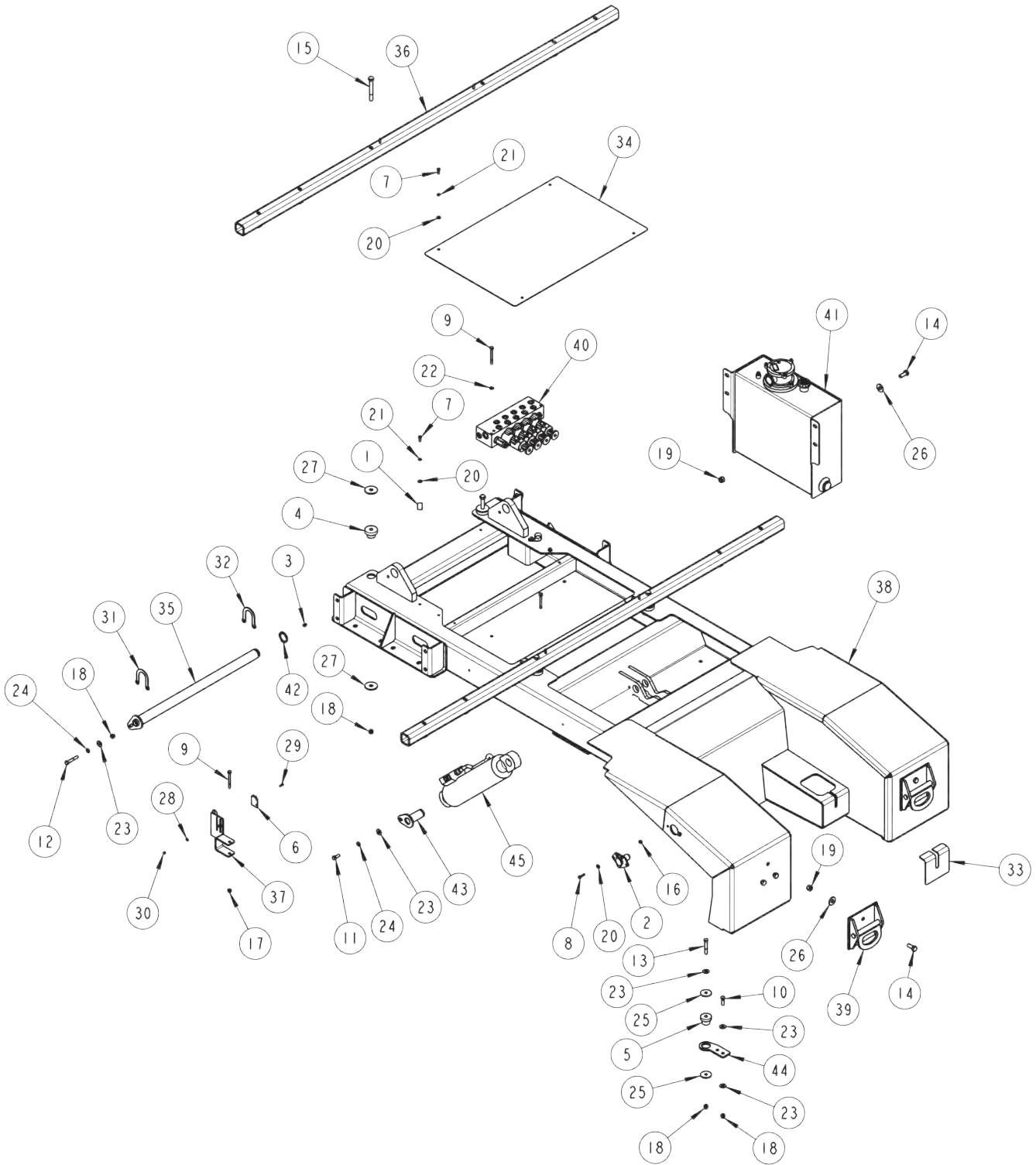
1. **Manual Number & Date of Publication**
2. **Manual Page Number**
3. **Page Title**
4. **Reference Number of Part Desired**
5. **Part Number**
6. **Part Description**
7. **Quantity of Part Desired**

Providing this information will help ensure that the correct parts will be delivered to you in an expedient manner without delay. Should additional information be required for repair or replacement of certain components, contact your Wrecker Manufacturer Authorized Representative.

The Manufacturer reserves the right, without notice or obligation, to improve or modify their products, which may change the specifications, models and feature availability.

Section I - PARTS (cont'd)

SUBFRAME ASSEMBLY



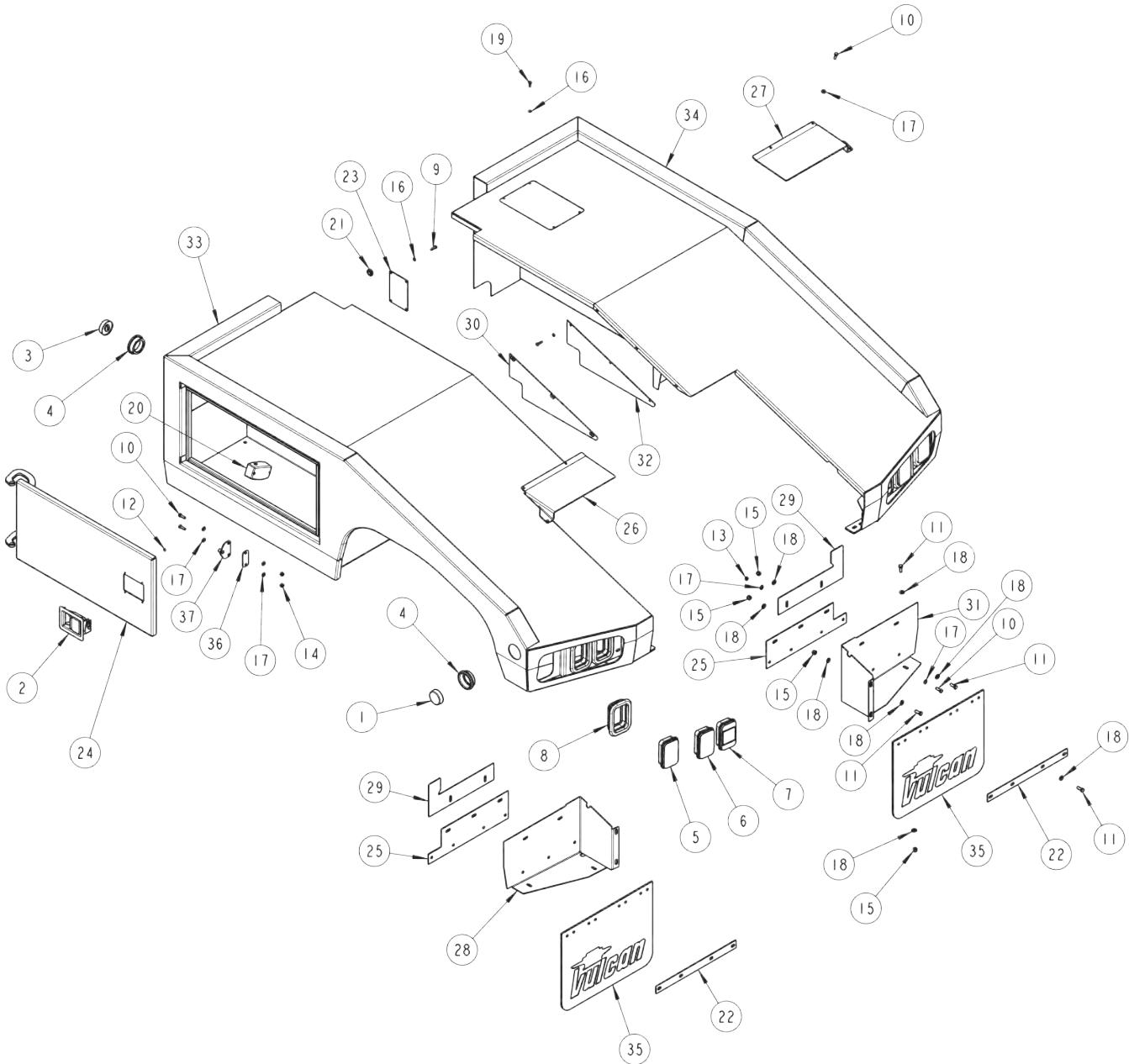
Section I - PARTS (cont'd)

SUBFRAME ASSEMBLY

ITEM	PART NUMBER	DESCRIPTION	QTY
1	0300134	HOSE CLAMP, 1" INSULATED	2
2	0301671	TOW SOCKET	1
3	0301895	GREASE FITTING, 1/8 NPT STRAIGHT	1
4	0306680	RUBBER "T" MOUNTS	4
5	0307114	RUBBER "T" MOUNTS	2
6	0310795	PROXIMITY SWTICH	1
7	0400066	1/4-20 X 3/4 HHCS GR.5,ZP	6
8	0400070	1/4-20 X 1 HHCS GR5 ZP	2
9	0400114	5/16-18 X 3 HHCS GR 5 ZP	3
10	0400122	3/8-16 X 1 1/4 HHCS GR.5,ZP	4
11	0400126	3/8-16 X 1 HHCS GR.5,ZP	1
12	0400146	3/8-16 X 2-1/4 HHCS GR.5 ZP	1
13	0400150	3/8-16 X 2-1/2 HHCS GR5 ZP	2
14	0400177	1/2-13 X 1 1/4 HHCS GR. 5, ZP	10
15	0400237	1/2-13 X 4 HHCS GR 5 ZP	4
16	0400367	1/4-20 NYLOCK HEX NUT ZP	2
17	0400382	5/16-18 NYLOCK HEX NUT ZP	1
18	0400392	3/8-16 NYLOCK HEX NUT ZP	11
19	0400408	1/2-13 NYLOCK HEX NUT ZP	10
20	0400451	1/4 FLAT WASHER ZP	8
21	0400452	1/4 HELICAL LOCK WASHER ZP	6
22	0400464	5/16 HELICAL LOCK WASHER ZP	2
23	0400480	3/8 FLAT WASHER ZP	12
24	0400482	3/8 HELICAL LOCK WASHER ZP	2
25	0400484	3/8 X 1-3/4 X 1/8 THICK FLAT WASHER ZP	4
26	0400492	1/2 FLAT WASHER ZP	10
27	0400498	WASHER, 1/2' ID X 2" OD X .150	8
28	0400816	#10 FLAT WASHER SS	2
29	0402011	#10-32 X 5/8" PAN HEAD PHILLIPS	2
30	0402100	#10-32 NYLOCK HEX NUT SS	2
31	0719519	SHIM - BOOM PIVOT (.0747 THICK)	1
32	0719520	SHIM- BOOM PIVOT (.1196 THK)	1
33	0730081	CHAIN BOX DRESS UP PLATE	2
34	0730085	VALVE COVER PLATE	1
35	0807183	BOOM PIVOT PIN WELDMENT	1
36	0807232	FRONT BODY MTG.TUBE WELD'T	2
37	0807641	PROX MTG. BRACKET WELD'T	1
38	0811000	SUBFRAME, NEW INTEGRATED UNIT	1
39	0811016	BOLT ON D-RING WELD'T	2
40	0910604	VALVE ASSY - 810 P/T	1
41	0910933	HYDRAULIC TANK ASSEMBLY CONV.	1
42	9056150	RETAINING RING, 1-1/2"	1
43	805351000	PIN WELDMENT	1
44	810030005	BODY REAR MTG. PLATE- (T MTG.)	2
45	810710000	LIFT CYLINDER	1

Section I - PARTS (cont'd)

BODY ASSEMBLY



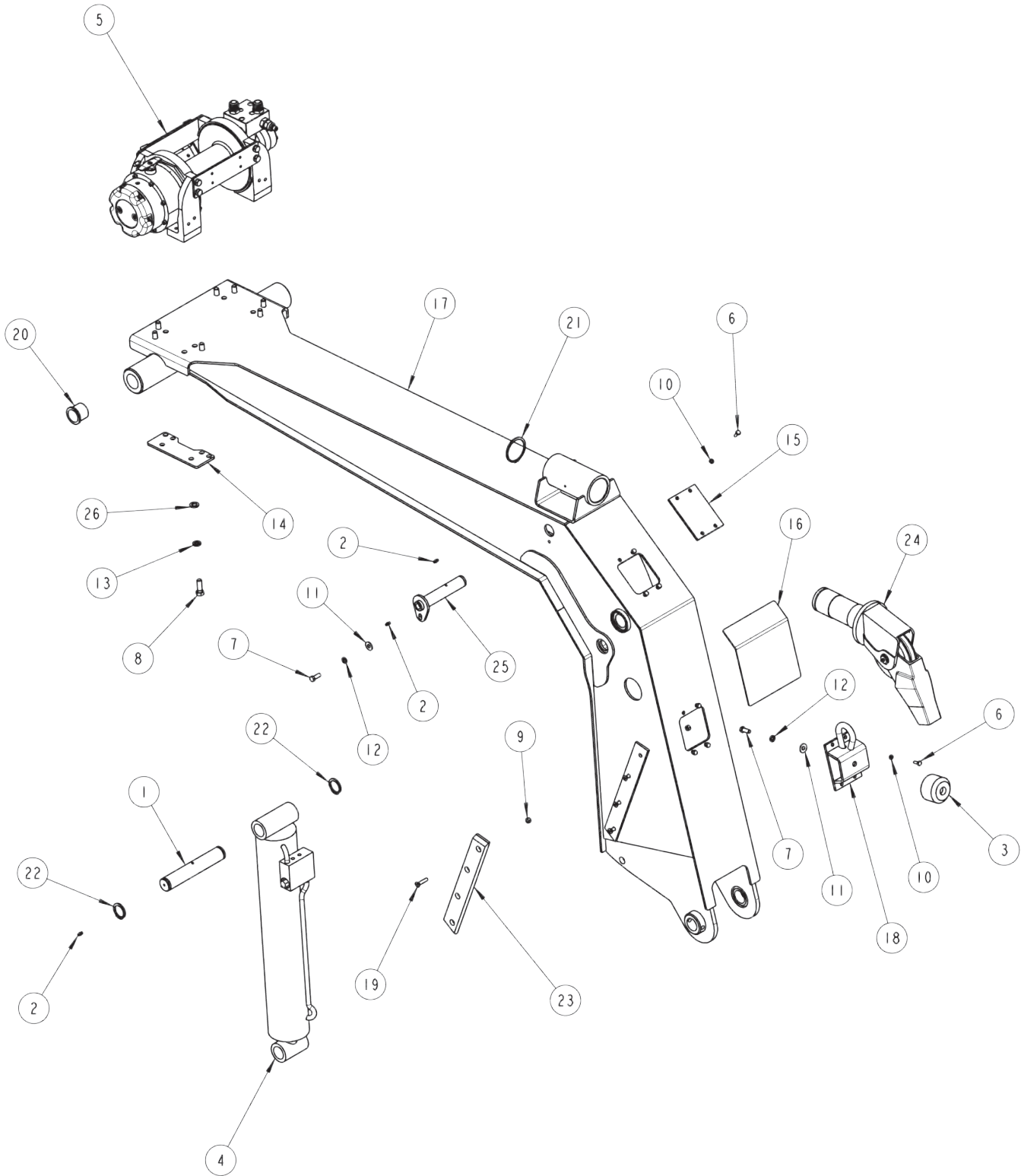
Section I - PARTS (cont'd)

BODY ASSEMBLY

ITEM	PART NUMBER	DESCRIPTION	QTY
1	0301741	MARKER LAMP, RED 2-1/2" ROUND	1
2	0303120	PADDLE LATCH W/GASKET	1
3	0303126	LIGHT, MARKER AMBER	1
4	0303127	GROMMET, MARKER LIGHT	2
5	0306682	TAIL LIGHT / RED/TAIL/MARK/CLEARANCE	2
6	0306683	TAIL LIGHT / STOP-TURN	2
7	0306684	LIGHT, BACKUP	2
8	0306685	GROMMET, LED LIGHT 45 STT	6
9	0400070	SCREW, 1/4"-20 X 1" HEX HD CAP	5
10	0400109	SCREW, 5/16"-18 X 1" HEX HD CAP	4
11	0400126	SCREW, 3/8"-16 X 1" HEX HD CAP GR5	4
12	0400351	HEX NUT & STAR WASHER, #8-32 ZP	1
13	0400381	NUT, 5/16"-18 HEX	2
14	0400382	NUT, 5/16"-18 HEX NYLOK	2
15	0400392	NUT, 3/8"-16 HEX NYLOK	4
16	0400452	LOCKWASHER, 1/4" HELICAL	6
17	0400463	WASHER, 5/16" FLAT	7
18	0400480	WASHER, 3/8" FLAT	8
19	0402020	1/4-20 x 3/4 HHCS SS	1
20	9025049	INTERIOR COMPARTMENT LIGHT w/ SWITCH	1
21	9032053	GROMMET	1
22	804500001	MUD FLAP BACK-UP STRIP	2
23	805040005	COVER PLATE- BOOM END	1
24	806160600	DOOR WLMT (16 1/2 X 16 1/2)	1
25	810010001	BRACKET-MUD FLAP	2
26	810010006	PANEL- LH REAR SLOPE	1
27	810017006	PANEL- RH REAR SLOPE	1
28	810030015	PANEL - LT LIGHT COVER	1
29	810030016	PLATE - GUARD FILLER (SS)	2
30	810031100	LH INSIDE SKIRT WELD'T	1
31	810037015	S.S. PANEL- RH LIGHT COVER	1
32	810038100	RH INSIDE SKIRT WELD'T	1
33	810150000	LT BOX WELDMENT - 810	1
34	810157000	RH BOX WELDMENT - 810	1
35	891000001	MUDFLAP	2
36	945400518	WASHER PLATE	1
37	945400800	STRIKER PIN WELD'T	1

Section I - PARTS (cont'd)

RECOVERY BOOM ASSEMBLY



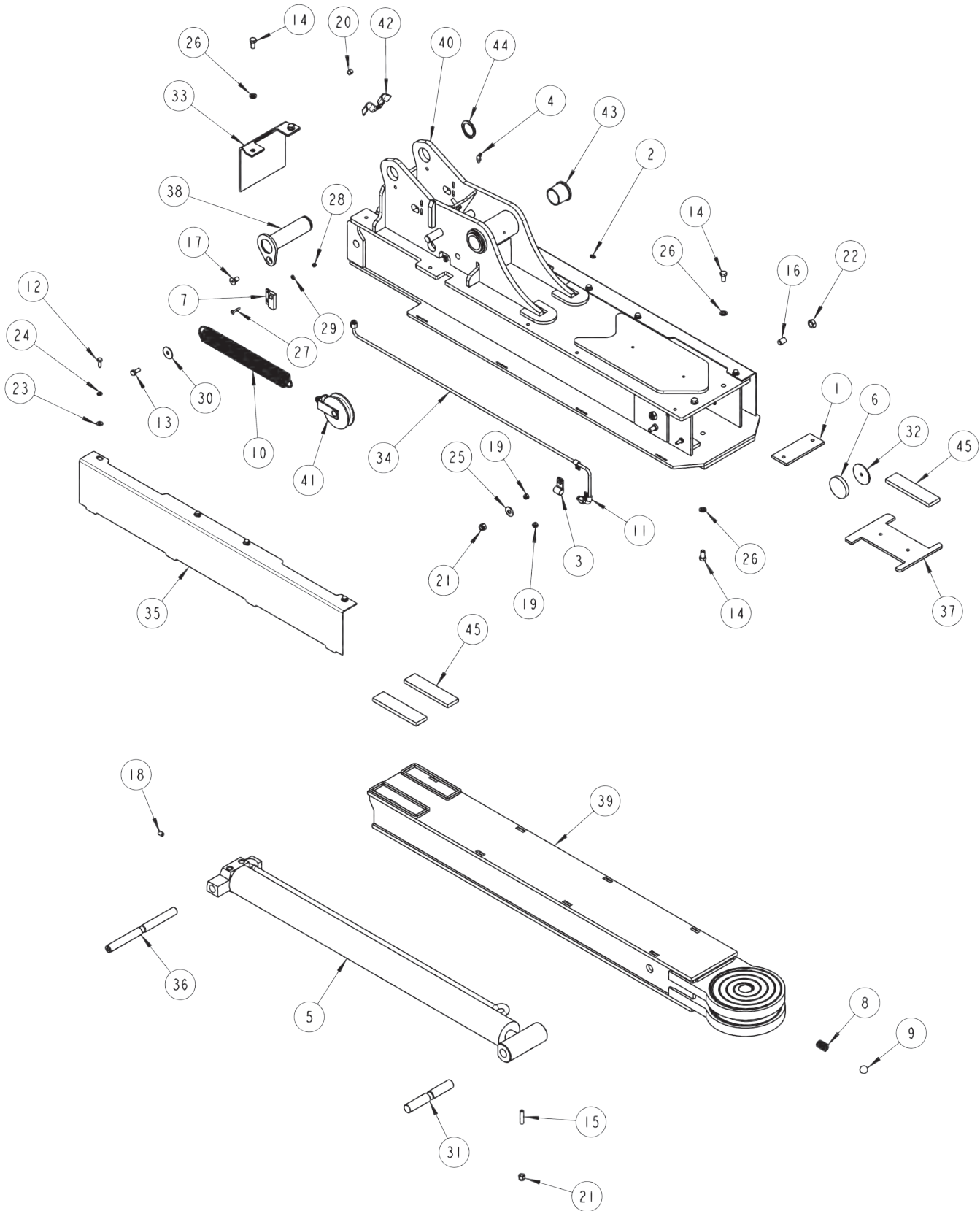
Section I - PARTS (cont'd)

RECOVERY BOOM ASSEMBLY

ITEM	PART NUMBER	DESCRIPTION	QTY
1	3014-700006	FOLD PIN, POWER TILT	1
2	0300113	GREASE FITTING, 1/4-28 STRAIGHT	3
3	0306688	TIMBREN SPRING	1
4	0310579	CYLINDER-810/405 FOLD	1
5	0310777	WINCH, 8000SP2 W/ TENSIONER	1
6	0400066	1/4-20 X 3/4 HHCS GR.5,ZP	8
7	0400126	3/8-16 X 1 HHCS GR.5,ZP	2
8	0400181	1/2-13 X 1-1/2 HHCS GR 5 ZP	8
9	0400382	5/16-18 NYLOCK HEX NUT ZP	8
10	0400452	1/4 HELICAL LOCK WASHER ZP	8
11	0400480	3/8 FLAT WASHER ZP	2
12	0400482	3/8 HELICAL LOCK WASHER ZP	2
13	0400491	1/2 HELICAL LOCK WASHER ZP	8
14	0723174	WINCH SPACER PLATE	2
15	0730023	BUMPER STOP PLATE	1
16	0730082	BOOM DRESS UP PLATE	1
17	0811002	MAIN BOOM	1
18	0811005	BUMPER STOP/COVER PLT WELD'T	1
19	9043973	SCREW, 5/16"-16 X 1-1/2" FL HD SKT	8
20	9053713	FLANGE BEARING, 1-1/2" I.D. OILITE	2
21	9055275	SNAP RING, 2-3/4" EXTERNAL	1
22	9056150	RETAINING RING, 1-1/2"	2
23	805040011	VERTICAL BOOM GUIDE	2
24	805180000	SHEAVE HOUSING ASSEMBLY	1
25	810351000	PIN WELD'T UPPER LIFT CYLINDER	1
26	DE1381	1/2" FLAT WASHER	8

Section I - PARTS (cont'd)

WHEEL LIFT BOOM ASSEMBLY



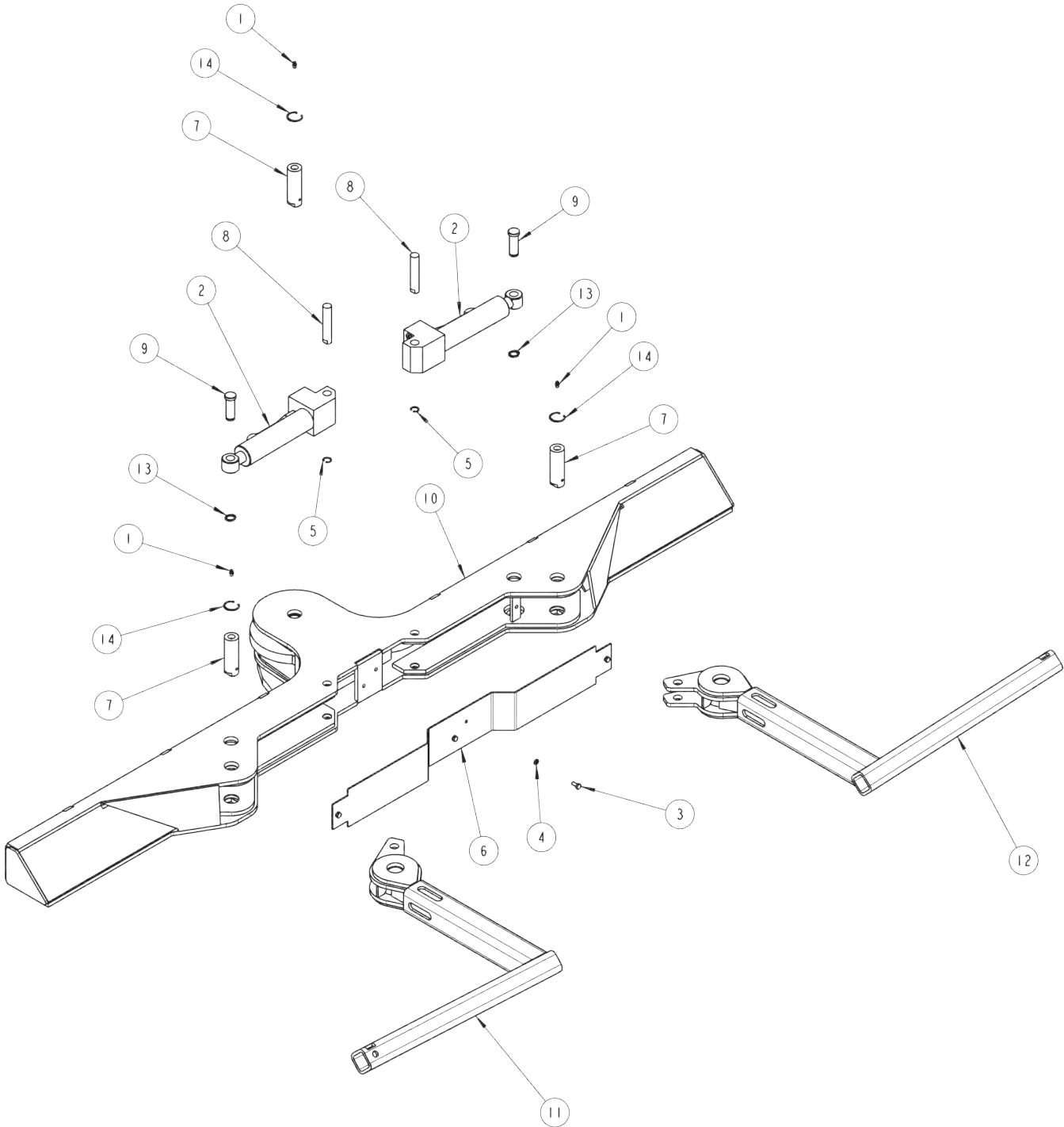
Section I - PARTS (cont'd)

WHEEL LIFT BOOM ASSEMBLY

ITEM	PART NUMBER	DESCRIPTION	QTY
1	3012-794003	BAR - SPACER	1
2	0300113	GREASE FITTING, 1/4-28 STRAIGHT	1
3	0301601	HOSE CLAMP, 5/8" INSULATED	2
4	0302726	GREASE FITTING, 1/4"-28 X 45°	2
5	0303020	CYLINDER, WHEEL LIFT EXTEND	1
6	0306819	PAD, SLIDE	2
7	0310795	PROXIMITY SWITCH	1
8	0311387	SPRING, 3/4" DIA X 1" C/B DETENT	1
9	0311388	3/4" DETENT BALL	1
10	0311390	SPRING	2
11	0311402	HOSE CLAMP, 5/8" INSULATED	4
12	0400066	1/4-20 X 3/4 HHCS GR.5,ZP	8
13	0400118	5/16-18 X 3/4 HHCS GR.5 ZP	2
14	0400121	3/8-16NC X 3/4 HHCS GR. B	6
15	0400139	SCREW, 3/8"-16 X 1-1/2" HEX SKT SET	1
16	0400204	1/2-13X3/4 SKT HD SET	2
17	0400349	SCREW, 3/8"-16 X 3/4" FL HD SKT	1
18	0400353	3/8 X 1/2 SET SCREW W/PATCH	1
19	0400367	1/4-20 NYLOCK HEX NUT ZP	4
20	0400382	5/16-18 NYLOCK HEX NUT ZP	1
21	0400392	3/8-16 NYLOCK HEX NUT ZP	3
22	0400410	NUT, 1/2"-13 HEX JAM ZP	2
23	0400451	1/4 FLAT WASHER ZP	8
24	0400452	1/4 HELICAL LOCK WASHER ZP	8
25	0400480	3/8 FLAT WASHER ZP	2
26	0400482	3/8 HELICAL LOCK WASHER ZP	6
27	0400686	#10-24 X 1" PAN HEAD PHILLIPS	2
28	0400688	#10-24 NYLOCK HEX NUT SS	2
29	0400816	#10 FLAT WASHER SS	2
30	0401047	5/16" FLAT WASHER ZP - 1.25" OD	2
31	0702131	SHAFT- INNER TUBE CYLINDER	1
32	0717674	SHIM - PAD SPACER	2
33	0730083	REAR COVER PLATE - OUTER W/L	1
34	0730095	HYDRAULIC HARDLINE - OUTER W/L	2
35	0730098	OUTER WHEEL LIFT COVER PLATE	2
36	0730100	PIN - EXTEND	1
37	0730113	PLATE - UL PAD CAGE	1
38	0807553	PIN WELDMENT LOWER TILT CYLINDER	1
39	0811004	BOOM INNER STINGER EXPRESS WELDMENT	1
40	0811021	BOOM OUTER STINGER WELD'T	1
41	0811023	SINGLE HOSE PULLEY WLDT	2
42	9048166	TUBE CLAMP, DOUBLE	1
43	9053713	FLANGE BEARING, 1-1/2" I.D. OILITE	2
44	9056150	RETAINING RING, 1-1/2"	1
45	896040002	NYLATRON PAD	4

Section I - PARTS (cont'd)

CROSSBAR ASSEMBLY



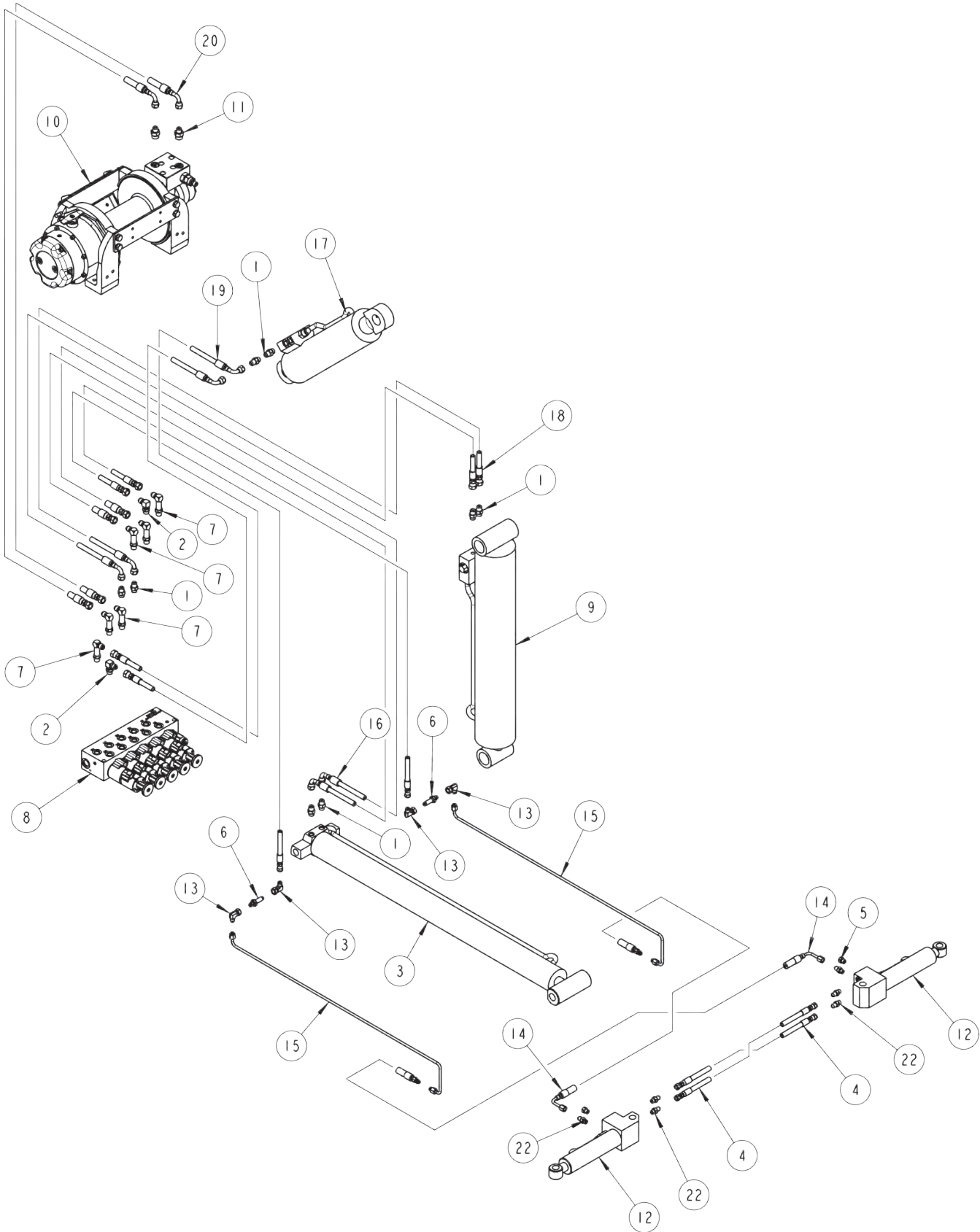
Section I - PARTS (cont'd)

CROSSBAR ASSEMBLY

ITEM	PART NUMBER	DESCRIPTION	QTY
1	0300113	GREASE FITTING, 1/4-28 STRAIGHT	3
2	0311302	CYL, HYD ENC CB CLAW 2.0Bx5.38	2
3	0400059	1/4-20 x 5/8 HHCS GR 5 ZP	4
4	0400452	1/4 HELICAL LOCK WASHER ZP	4
5	0401150	11/16" INTERNAL SNAP RING	2
6	0730053	FRONT COVER PLATE	1
7	0730084	CROSSBEAM PIVOT PIN, ENCLOSED C/B	3
8	0730094	CYLINDER PIN - 3/4" DIA	2
9	0730120	PIN - CLEVIS	2
10	0811013	ENCLOSED CROSSBAR WELDMENT	1
11	0811024	CLAW WELD'T (LH)	1
12	0811025	CLAW WELD'T	1
13	9056075	SNAP RING, 3/4" EXTERNAL	2
14	9057125	SNAP RING, 1-1/4" NOM INTERNAL	3

Section I - PARTS (cont'd)

RECOVERY BOOM & WHEEL LIFT HYDRAULICS



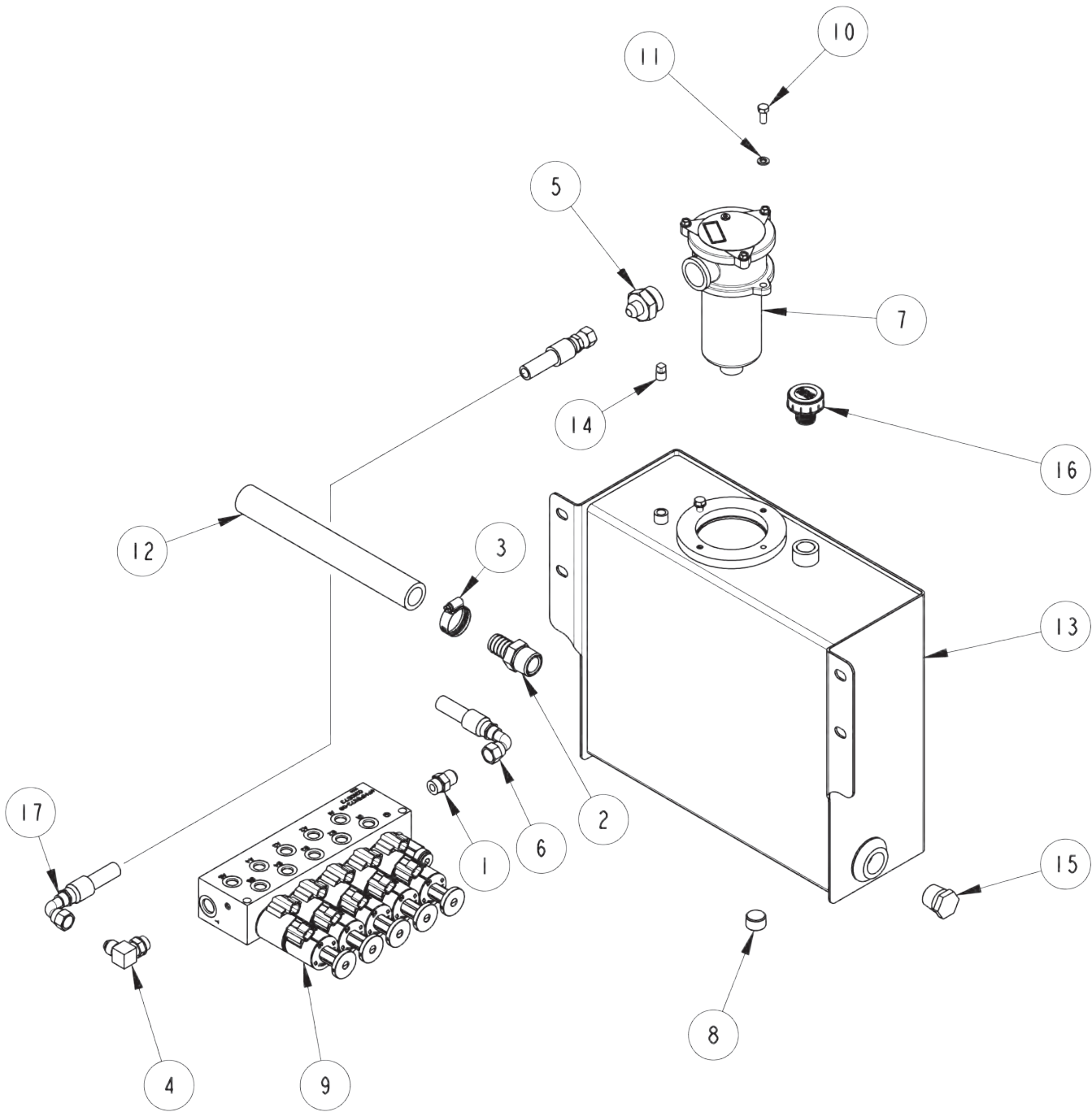
Section I - PARTS (cont'd)

RECOVERY BOOM & WHEEL LIFT HYDRAULICS

ITEM	PART NUMBER	DESCRIPTION	QTY
1	0301522	CONNECTOR 6MJ-6MB	8
2	0301620	FITTING, ELBOW, 6MJ-6MB90	2
3	0303020	CYLINDER, WHEEL LIFT EXTEND	1
4	0303860	HOSE ASSEMBLY, 10-3/4"	4
5	0303886	PLUG - 1/4 SAE O-RING	2
6	0306817	BULKHEAD UNION (4MJ-4BLKHD W/NUT)	2
7	0307460	FITTING, ELBOW, 6MJ-6MB90L	6
8	0310573	VALVE, 5 SPOOL	1
9	0310579	CYLINDER-810/405 FOLD	1
10	0310777	WINCH, 8000SP2 W/TENSIONER	1
11	0310787	CONNECTOR 6MJX8MBSPPOR	2
12	0311302	CYLINDER, HYD ENC CB CLAW	2
13	0311389	ELBOW, 4MJ-4FJX90	4
14	0311403	HOSE ASSEMBLY, 80.5" W/16" WIRE	2
15	0730095	HYDRAULIC HARDLINE - OUTER W/L	2
16	806750108	HOSE ASSEMBLY, 140"	2
17	810710000	LIFT CYLINDER	1
18	810770003	HOSE ASSEMBLY, 99"	2
19	810770015	HOSE ASSEMBLY, 29"	2
20	880010003	HOSE ASSEMBLY, 32"	2
21	0311440	HOSE ASSEMBLY, 139"	4
22	HC1291	CONNECTOR, 4MJ-4MB STR	6

Section I - PARTS (cont'd)

TANK, VALVE & FILTER HYDRAULICS



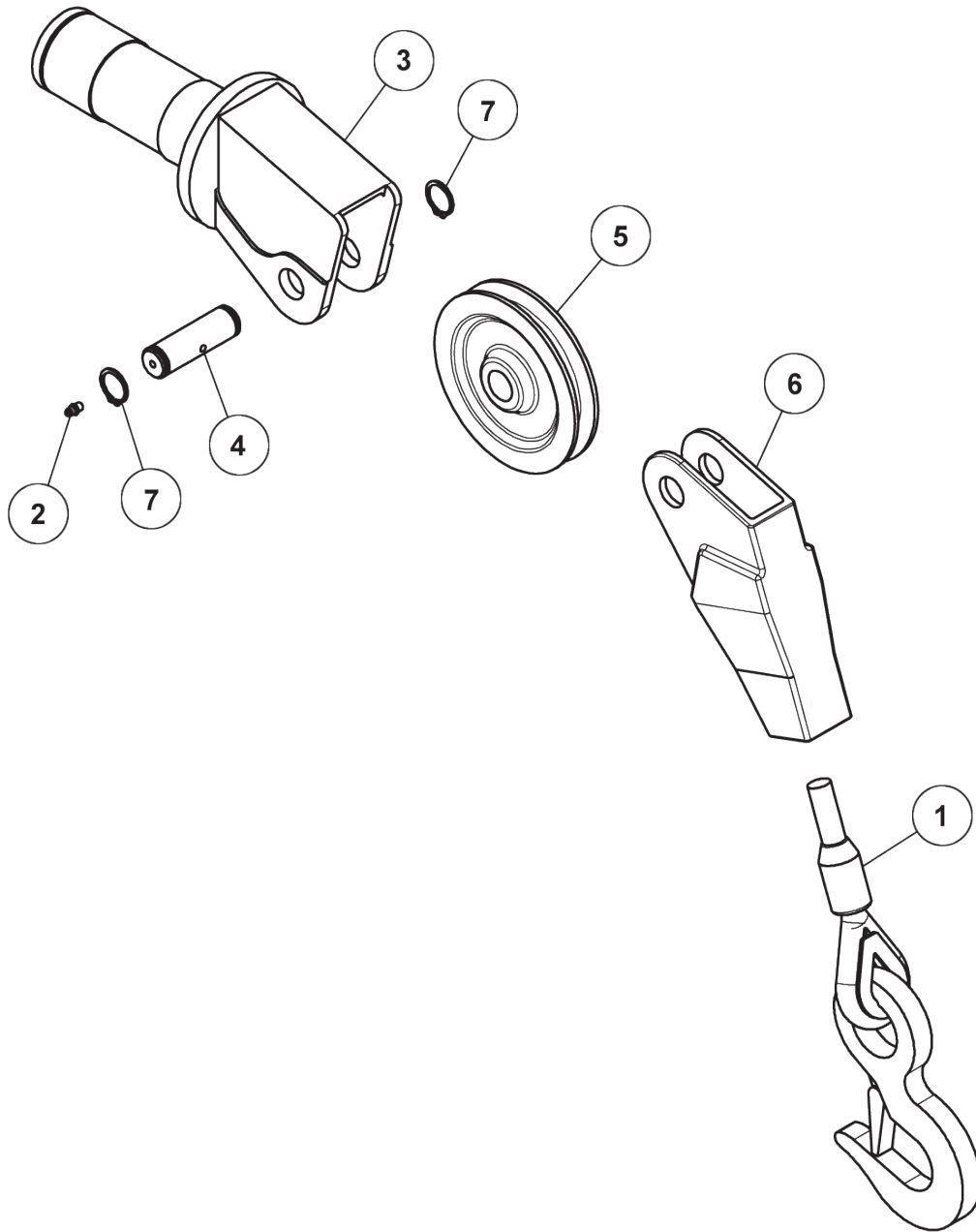
Section I - PARTS (cont'd)

TANK, VALVE & FILTER HYDRAULICS

ITEM	PART NUMBER	DESCRIPTION	QTY
1	0300041	CONNECTOR 8MJX8MB	1
2	0300056	BARB, 16C4-16MP	1
3	0300071	HOSE CLAMP, 1"	1
4	0301388	ELBOW, 8MJ-8MB90	1
5	0302757	CONNECTOR, 8MJ-12MB	1
6	0307663	HOSE ASSEMBLY, 185"	1
7	0310296	IMMERSION FILTER ASSEMBLY	1
8	0310462	MAGNETIC HEX PLUG ~ 3/4 NPT	1
9	0310573	VALVE, 5 SPOOL 810 PWRTILT	1
10	0400118	5/16-18 X 3/4 HHCS GR.5 ZP	2
11	0400464	5/16 HELICAL LOCK WASHER ZP	2
12	0702540	SUCTION HOSE, 12 FT (1" ID)	1
13	0807895	HYDRAULIC TANK WELDMENT	1
14	9011011	PIPE PLUG, 1/4" SQ HD	1
15	9012839	PLUG 1" (HYDRAULIC) HEX HEAD	1
16	9018131	BREATHER CAP	1
17	810770017	HOSE ASSEMBLY, 32"	1

Section I - PARTS (cont'd)

BOOM SWIVEL ASSEMBLY



ITEM	PART NUMBER	DESCRIPTION	QTY
1	0302916	WIRE ROPE, 3/8" X 6 X 19 IPS	1
--	805180000	SHEAVE HOUSING ASSEMBLY	--
2	0300113	GREASE FITTING, 1/4"-28 STRAIGHT	1
3	804181500	SHEAVE HOUSING CASTING	1
4	805180001	SHEAVE SHAFT 1	1
5	805180002	SHEAVE CASTING (WAS 9050504)	1
6	852060100	CABLE GUIDE ~ CASTING	1
7	9056098	RETAINING RING, EXT 1" NOM. HEAVY DUTY	2

Section I - PARTS (cont'd)

PARTS LIST

ITEM	PART NUMBER	DESCRIPTION	QTY
--	120812000	812 MOD SGL WINCH W/ENCL C/BAR	
1	0911245	BUA, 812 W/ENCLOSED CROSSBAR	1
2	0911246	SHIP KIT, 812	1
--	0911245	BUA, 812 W/ENCLOSED CROSSBAR	
3	0301522	FITTING, CONN. 6MJ-6MB	2
4	0301895	GREASE FITTING,STR 1/8 PTF	2
5	0302071	1/2"CONDUIT CLAMP 3/4"DIA OPEN	4
6	0302726	GREASE FITTING, 1/4-28 X 45DEG	2
7	0307383	CHAIN ASSY 5/16 G7 X 12'	2
8	0307663	HOSE, HYD ASSY 185" LGTH 90	1
9	0400002	4X1/4 DRIVE SCREW RD HD	4
10	0400059	1/4-20X5/8 HHCS GR5 ZP	2
11	0400062	1/4-20X3/4 THRD CUT HEX	3
12	0400070	1/4-20X1 HHCS GR5 ZP	8
13	0400126	3/8-16X1 HHCS GR5 ZP.	5
14	0400133	3/8-16X3 HHCS GR5 ZP	1
15	0400138	3/8-16X2 SQ.HD.SET SCREW	2
16	0400146	3/8-16X2.25 HHCS GR5 ZP	2
17	0400349	3/8-16X3/4 FLT SOC HD	2
18	0400367	1/4-20 NYLOK HEX NUT ZP	9
19	0400392	3/8-16 NYLOK HEX NUT ZINC	2
20	0400451	1/4 FLATWASHER ZP	4
21	0400451	1/4 FLATWASHER ZP	9
22	0400452	1/4" HELICAL LCKWASHR ZP	4
23	0400480	3/8 FLATWASHER ZP	1
24	0400482	3/8" HELICAL LCKWSHR - ZP	1
25	0400505	5/8" SAE WASHER	2
26	0400606	5/8 X 1 1/4 SHOULDER BOLT	1
27	0501422	PLATE-SERIAL&DATA 804,807,810	1
28	0719519	SHIM - BOOM PIVOT (0.0747 THK)	2
29	0719520	SHIM - BOOM PIVOT (.1196 THK)	2
30	0730085	VALVE COVER PLT, NIU S/FRM	1
31	0807183	MAIN BOOM PIVOT PIN WLMT.	1
32	0807553	PIN WLMT - FOLD PIN 810 P/T	1
33	0811000	SUBFRAME WLMT, 812	1
34	0910933	HYD TANK ASSY, NARROW	1
35	0911247	MAIN BOOM ASSY, 812	1
36	0911248	W/L BOOM ASSY, 812	1
37	0911249	CROSSBAR ASSY, ENCLOSED 812	1
38	0911250	VALVE ASSY, 812	1
39	805351000	PIN WELD'T (LOWER LIFT C	1
40	810351000	PIN WELD'T - UPPER LIFTING CYL	1
41	810710000	3.5" LIFT CYLINDER 10.44"STR.	1
42	810740001	WIRING HARNESS 810	1
43	810770015	HOSE 29" 4M2T 6FJX90S-6FJX	2
44	810770017	HOSE ASSY 32 8M2T 8FJX90S-8FJX	1
45	880010003	6AT2(6T90S-6FJ)41" E/CL	2
46	9056150	RETAINING RING - 1 1/2	2

Section I - PARTS (cont'd)

PARTS LIST (cont'd)

ITEM	PART NUMBER	DESCRIPTION	QTY
--	0910933	HYD TANK ASSY, NARROW	
47	0310296	FILTR HEAD ASSY W' ELEMENT	1
48	0310462	PLUG - 3/4 NPT HEX - MAGNETIC	1
49	0400118	5/16-18X3/4 HHCS GR5 ZP	2
50	0400464	5/16" HELICAL LCKWSHR ZP	2
51	0400748	5/16-18 X 1/4 SET SCR ALLEN HD	2
52	0807895	HYD TANK WLMT, NARROW	1
53	9011011	1/4 SQ HD PIPE PLUG	1
54	9012839	1 PIPE PLUG	1
55	9018131	BREATHER CAP (LUCAS) 3/4	1
--	0911247	MAIN BOOM ASSY, 812	
56	0300113	GREASE FITTING, 1/4-28 STRAIGHT	4
57	0301522	FITTING, CONN. 6MJ-6MB	2
58	0306688	TIMBREN SPRING 180 AEON 2 7/8"	1
59	0310579	CYLINDER 4.0 BORE 19.5 STROKE	1
60	0310777	WINCH, 8000SP2 W/TENSIONER	1
61	0310791	HARNESS, PROX - SELF LEVEL	1
62	0400066	1/4-20X3/4 HHCS GR5 ZP	8
63	0400126	3/8-16X1 HHCS GR5 ZP.	1
64	0400181	1/2-13X1.5 HHCS GR5 ZP	8
65	0400382	5/16-18 NYLOK HEX NUT ZP	8
66	0400452	1/4" HELICAL LCKWASHR ZP	8
67	0400480	3/8 FLATWASHER ZP	1
68	0400482	3/8" HELICAL LCKWSHR - ZP	1
69	0400491	1/2" HCL LKWSHR ZP	8
70	0723174	PLT, WINCH SPACER 440/810	2
71	0730023	BUMP STOP & COVER PLT, BOOM	1
72	0811002	MAIN BOOM WLMT, 812	1
73	0811005	BUMP STOP WLMT, MAIN BOOM	1
74	3014-700006	FOLD PIN 810 POWER TILT	1
75	805040011	VERTICAL BOOM GUIDE PAD	2
76	805180000	SHEAVE HOUSING ASSEMBLY	1
77	806750108	HOSE ASSEMBLY - AUTO-LOAD STIN	2
78	810770003	4M2T 6FJX-6FJX90S 99" HOSE	2
79	9043827	MAC.SCR 10-32X5/8 PAN PHIL HD	8
80	9043973	5/16-18X1 1/2 FL.HD.SOC.	8
81	9055275	SNAP RING, 2-3/4" EXTERNAL	1
82	DE1381	1/2 WASHER SAE 17/32 ID	8
--	0911248	W/L BOOM ASSY, 812	
83	0301397	GREASE FITTING, 1/4-28 X 90 DEG	2
84	0301522	FITTING, CONN. 6MJ-6MB	2
85	0301601	CLAMP, HOSE, INSUL, 5/8	2
86	0303020	CYL HYD EXT - EB3 (J13)	1
87	0303858	FITTING, ELBOW, BULKHEAD	2
88	0306819	PAD - SLIDE (2 1/4 DIA UHMW)	2
89	0311389	FITT, ELB 90DEG 4MJ-4MJX90	2
90	0311390	SPRING, HOSE TENS. ENCL C/B	2
91	0311403	HOSE ASSY, 80.5" W/16" WIRE	2

Section I - PARTS (cont'd)

PARTS LIST (cont'd)

ITEM	PART NUMBER	DESCRIPTION	QTY
--	0911248	W/L BOOM ASSY, 812 (cont'd)	
92	0400121	3/8-16X3/4 HHCS GR5 ZP	2
93	0400139	3/8-16X1.5 HEX SKT SET	1
94	0400353	3/8X1/2SET SCR W/PATCH	1
95	0400392	3/8-16 NYLOK HEX NUT ZINC	3
96	0400480	3/8 FLATWASHER ZP	2
97	0400482	3/8" HELICAL LCKWSHR - ZP	2
98	0702131	SHAFT, INNER TUBE CYL	1
99	0717674	SHIM, PAD SPACER	2
100	0730083	REAR COVER PLATE, OUTER W/L	1
101	0730095	HYD. HARD LINE, OUTER W/L	2
102	0730098	PLT, OUTER W/L COVER NIU	2
103	0730100	PIN, EXTEND W/L NIU	1
104	0730113	PLATE - UL PAD CAGE	1
105	0811004	STINGER WLMT NIU	1
106	0811021	W/L OUTER BOOM NIU	1
107	0811023	PULLEY WLMT, ENCL C/B NIU	2
108	3012-794003	BAR - SPACER	1
109	896040002	NYLATRON - 6 X 1 1/2 X	4
110	9048166	DBL TUBE CLAMP SPAE-NAUR	1
111	9053713	FLG BEARING 1.5"ID OILITE	2
--	0911249	CROSSBAR ASSY, ENCLOSED 812	
112	0300113	GREASE FITTING, 1/4-28 STRAIGHT	3
113	0303860	HOSE HYD, 10-3/4"	2
114	0311302	CYL, HYD ENC CB CLAW 2.0BX5.38	2
115	0311387	SPRING, 3/4"DIA X 1" C/B DETENT	1
116	0311388	BALL, 3/4"DIA CHROME DETENT C/B	1
117	0400059	1/4-20X5/8 HHCS GR5 ZP	4
118	0400452	1/4" HELICAL LCKWASHR ZP	4
119	0401150	INT. SNAP RING 3/4" DIA	2
120	0730053	PLATE, FRONT COVER C/BAR	1
121	0730084	CROSSBAR PIVOT & CLAW PIN	3
122	0730094	PIN, CYL 3/4" ENCL C/B NIU	2
123	0730119	BUSHING, CLAW PIVOT NIU	2
124	0730120	PIN, CLEVIS, CLAW TO CLAW CYL	2
125	0811013	ENCLOSED CROSSBAR WLMT	1
126	0811024	CLAW WLMT, LH ENCL C/B NIU	1
127	0811025	CLAW WLMT, RH ENCL C/B NIU	1
128	9056075	EXT. RETAINING RING 3/4	2
129	9057125	1 1/4 NOM INT. RET RING	3
130	HC1291	FITTING, 4MJ-4MB STR THR	6
--	0911250	VALVE ASSY, 812	
131	0300041	FITTING, CONNECTOR 8MJ-8MB	1
132	0301388	FITTING, 90ELL, 8MJ-8MB90	1
133	0301522	FITTING, CONN. 6MJ-6MB	2
134	0301620	FITTING, HYD. 6MJ - 6MB90	1
135	0302510	FITTING, 6MJ-6MBL HYD	2
136	0307460	FITTING, HYD 6MJ-6MB90LL	5
137	0310573	VALVE, 5 SPOOL 810 PWR TILT	1

Section I - PARTS (cont'd)

PARTS LIST (cont'd)

ITEM	PART NUMBER	DESCRIPTION	QTY
--	0911246	SHIP KIT, 812	
138	0302916	WIRE ROPE, 3/8X6X19 IPS 75'-3"	1
139	0307544	SWING CHECK VALVE, 1" BRONZE	1
140	0400114	5/16-18X3 HHCS GR5 ZP	1
141	0400288	3/4-10X2.5HHCS GR 8GOLD	2
142	0400382	5/16-18 NYLOK HEX NUT ZP	1
143	0400430	3/4-10 NYLOK HEXNUT ZP	2
144	0400510	3/4 FLATWASHER ZP	4
145	0400686	10-24X1" LG SS PHILLPS PAN HD	2
146	0400816	#10- SS FLAT WASHER	4
147	0402011	MACH S.10-32X5/8 SS PHIL PA HD	2
148	0402100	NUT, NYLOCK 10-32 SS	2
149	0501003	DECAL - D RING	2
150	0501776	MANUAL, 812 PARTS	1
151	0501778	MANUAL, 812 OP/SAFETY/MAINT	1
152	0702540	HOSE,SUCTION - 12FT (1" ID)	1
153	0730081	CHAIN BOX DRESSUP PLT	2
154	0730082	BOOM DRESSUP PLT	1
155	0811029	WHEEL SPACER WLMT 812	2
156	0906112	810 FITTING BAG	1
157	0906401	TIE-DOWN STRAP ASSY (EXPRESS)	2
158	0907280	806,807,810 SS BOLT BAG	1
159	0908289	LIGHT PARTS BAG - 301M	1
160	804500001	MUD FLAP BACK-UP STRIP	2
161	891000001	MUD FLAP-RUBBER -EACH	2
162	9018092	HOSE CLAMP HS24 *	2
163	9025068	REFLECTOR-PETERSON B489R DECAL	2
164	9033194	WARNING DECAL MOVING PAR	1
165	9033198	DECAL-SAFETY CHAINS	2
166	9033212	NAME PLATE- VULCAN 4 X1	2
167	HC1335	PIPE NIPL-1" CLOSED THR	1
--	0906112	810 FITTING BAG	
168	0300056	FITTING, BARB 16C4-16MP	1
169	0301391	FITTING, CONNECT. 8MJ X 12MP	2
170	0303373	CLAMP INSULATED 2"	3
171	0303564	PIPE, 1" NPT PLUG - MALE	1
172	HC1335	PIPE NIPL-1" CLOSED THR	1
--	0906401	TIE-DOWN STRAP ASSY (EXPRESS)	
173	0306724	STRAP-8' W/SLEEVE & HOOK	1
174	0306729	RATCHET ASSY W/HOOK	1
--	0907280	806,807,810 SS BOLT BAG	
175	0400057	1/4-20X1.25 HHCS	6
176	0400070	1/4-20X1 HHCS GR5 ZP	6
177	0400177	1/2-13X1.25 HHCS GR5 ZP	4
178	0400185	1/2-13X2.5 HHCS GR5 ZP	8
179	0400343	1/2-13X2HHCS GR 8 ZP	18
180	0400367	1/4-20 NYLOK HEX NUT ZP	8

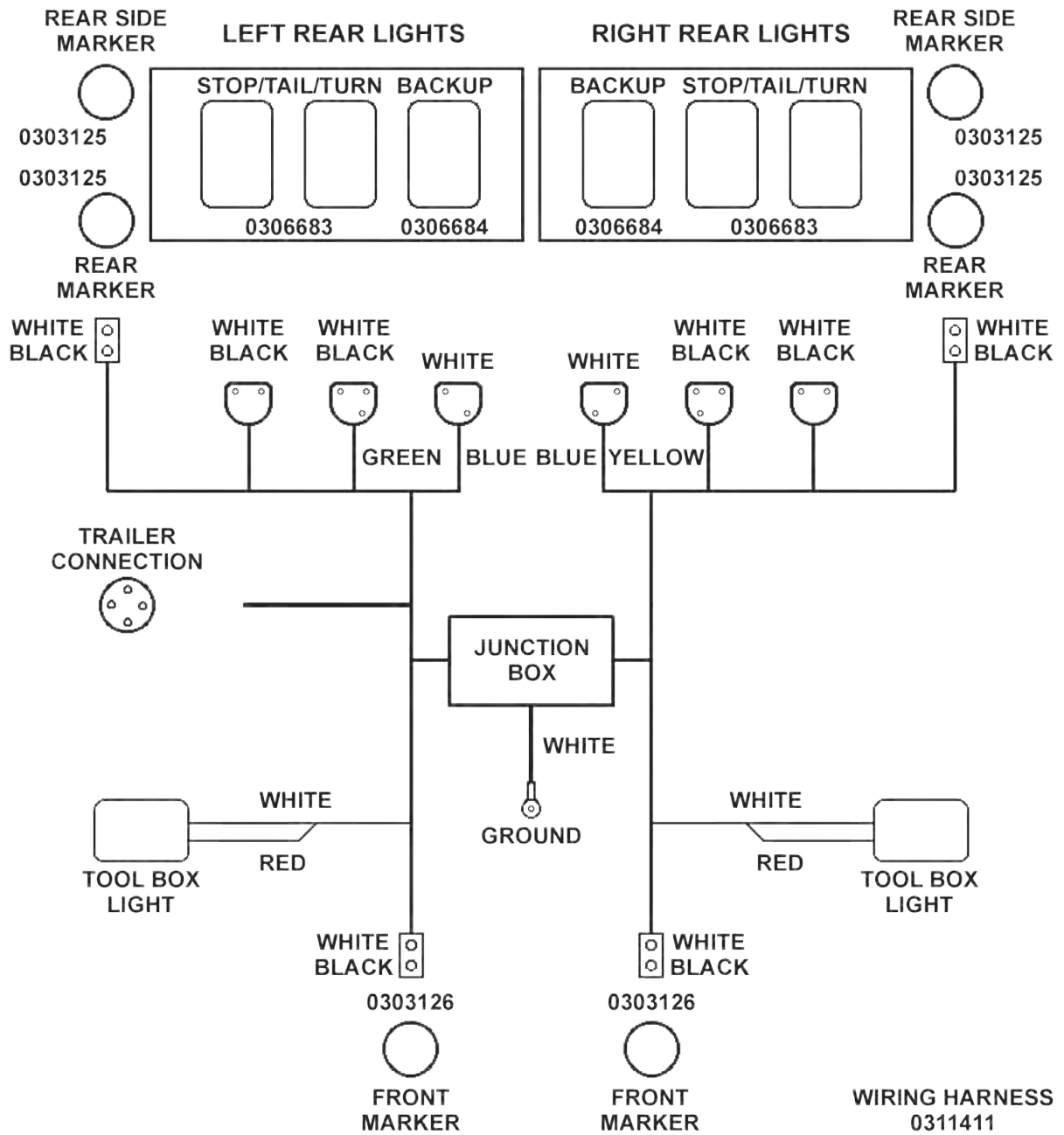
Section I - PARTS (cont'd)

PARTS LIST (cont'd)

ITEM	PART NUMBER	DESCRIPTION	QTY
--	0907280	806,807,810 SS BOLT BAG (cont'd)	
181	0400408	1/2-13 NYLOK HEX NUT ZP	30
182	0400421	5/8-11 NYLOK HEX NUT ZP	8
183	0400451	1/4 FLATWASHER ZP	14
184	0400452	1/4" HELICAL LCKWASHR ZP	2
185	0400492	1/2" FLATWASHER ZP	60
186	0400505	5/8" SAE WASHER	20
187	0402043	3/8-16NC X 1 1/4 HHCS SS	16
188	0402120	3/8 FLATWASHER 316 SS	28
189	0402123	NUT, 3/8-16 NYLOCK SS	16
190	9041605	5/8 NC X 2 HHCS PL GR8	10
191	9046527	POP RIVET 3/16 X7/16 AL	20
192	9046572	POP RIVET-1/8 X.500 GRIP	6
--	0908289	LIGHT PARTS BAG - 301M	
193	0300273	LICENSE PL.ILLUM. (LIGHT ONLY)	1
194	0300442	LIGHT, 3 BAR 15741R (9025006)	1
195	0301671	TOW LIGHT SOCKET (4 PIN)	1
196	0302062	WIRE TIE 21"	20
197	0303061	BACK UP ALARM ECCO 510	1
198	0303226	80 AMP CIRCUIT BREAKER	1
199	9022009	BUTT SPLICE (14-16) 2RB1	6
200	9022076	RING TERM 14-16GA DKBLUE CRIMP	5
201	9025062	LICENSE BKT C/W LIGHT 6	1
202	9032053	GROMMET-RUBBER MCMAST. 5/8X1/8	2
203	GV57	RUBBER GROMMET,ATLANTIC	2
--	0911341	812 TRAILER HITCH BRKT ASSY	
204	0300091	BALL, TRAILER-2 CHROME	1
205	0302474	PIN, LINCH 3/16	1
206	0307788	CABLE, PIN RETAINER SU-ASSY	1
207	0307789	SWAGE, CABLE LOOP (1/8 CABLE)	1
208	0400060	1/4-20X1/2 HHCS GR5 ZP	1
209	0400452	1/4" HELICAL LCKWASHR ZP	1
210	0400568	3/8X3" ROLL PIN ZP	1
211	0730135	PIN, RETAINING, 812 TRLR HITCH	1
212	0811035	812 TRAILER HITCH BRKT WLMT	1
--	124004505	812 REMOTE SYSTEM, STD HANDHELD	
213	0311480	HAND HELD	1
214	0311540	PROX BOX	1
215	0310791	HARNESS, SELF-LEVELING PROXIMITY	1
216	0311541	SOLID STATE SENSOR	2
--	124004506	812 REMOTE SYSTEM, SMALL HANDHELD	
217	0311481	HAND HELD	1
218	0311540	PROX BOX	1
219	0310791	HARNESS, SELF-LEVELING PROXIMITY	1
220	0311541	SOLID STATE SENSOR	2

Section II - SCHEMATICS

WIRING HARNESS 0311411

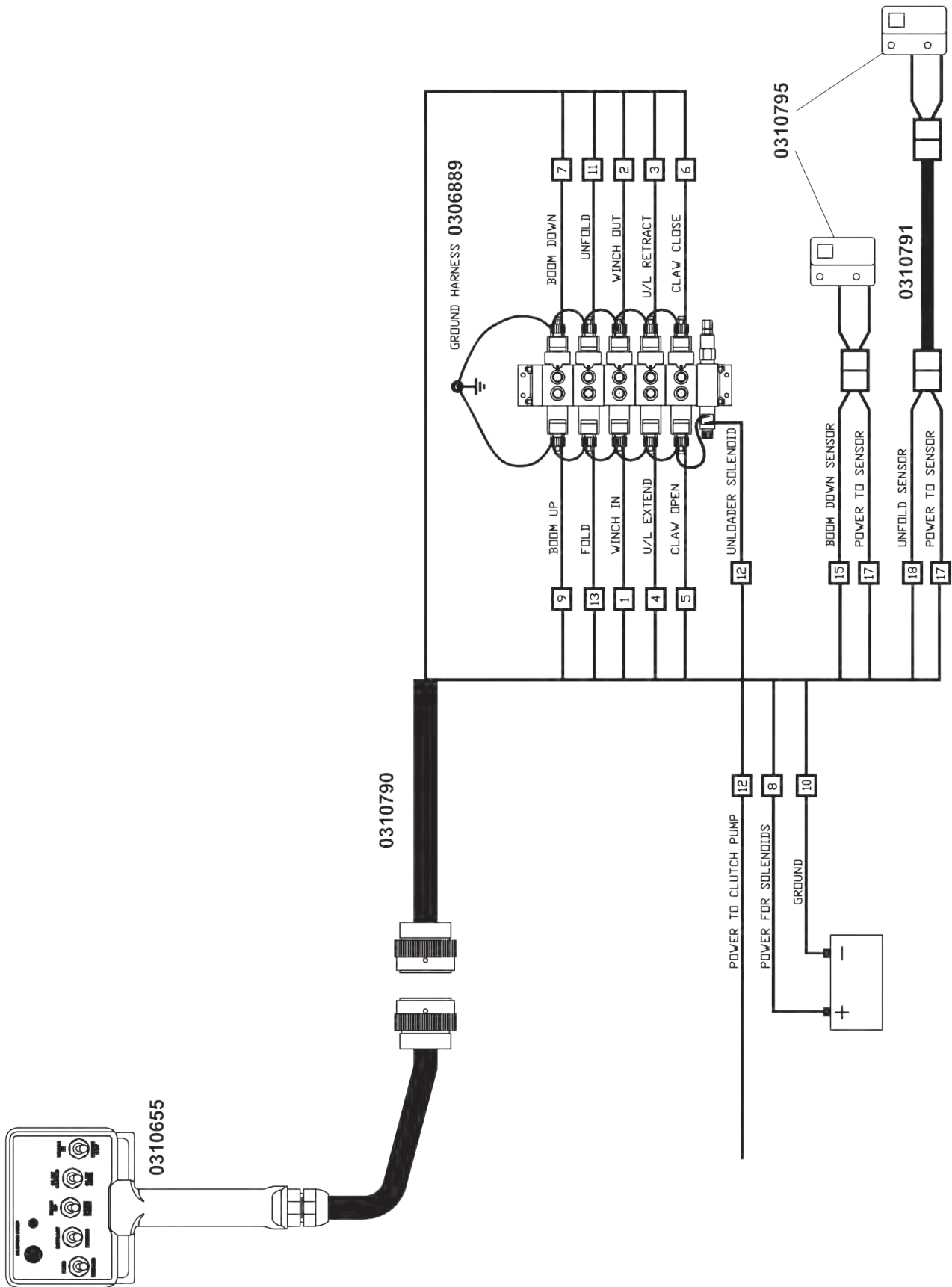


WIRING HARNESS
0311411

WIRE COLOR	USE FOR
BLACK	BACK-UP LIGHT
BLUE	UPPER WORK LIGHT
BROWN	MARKER LIGHT
GRAY	WORK / SPOT LIGHT
GREEN	RIGHT TURN / BRAKE
ORANGE	AUXILIARY
RED	BEACON
WHITE	GROUND
YELLOW	LEFT TURN / BRAKE

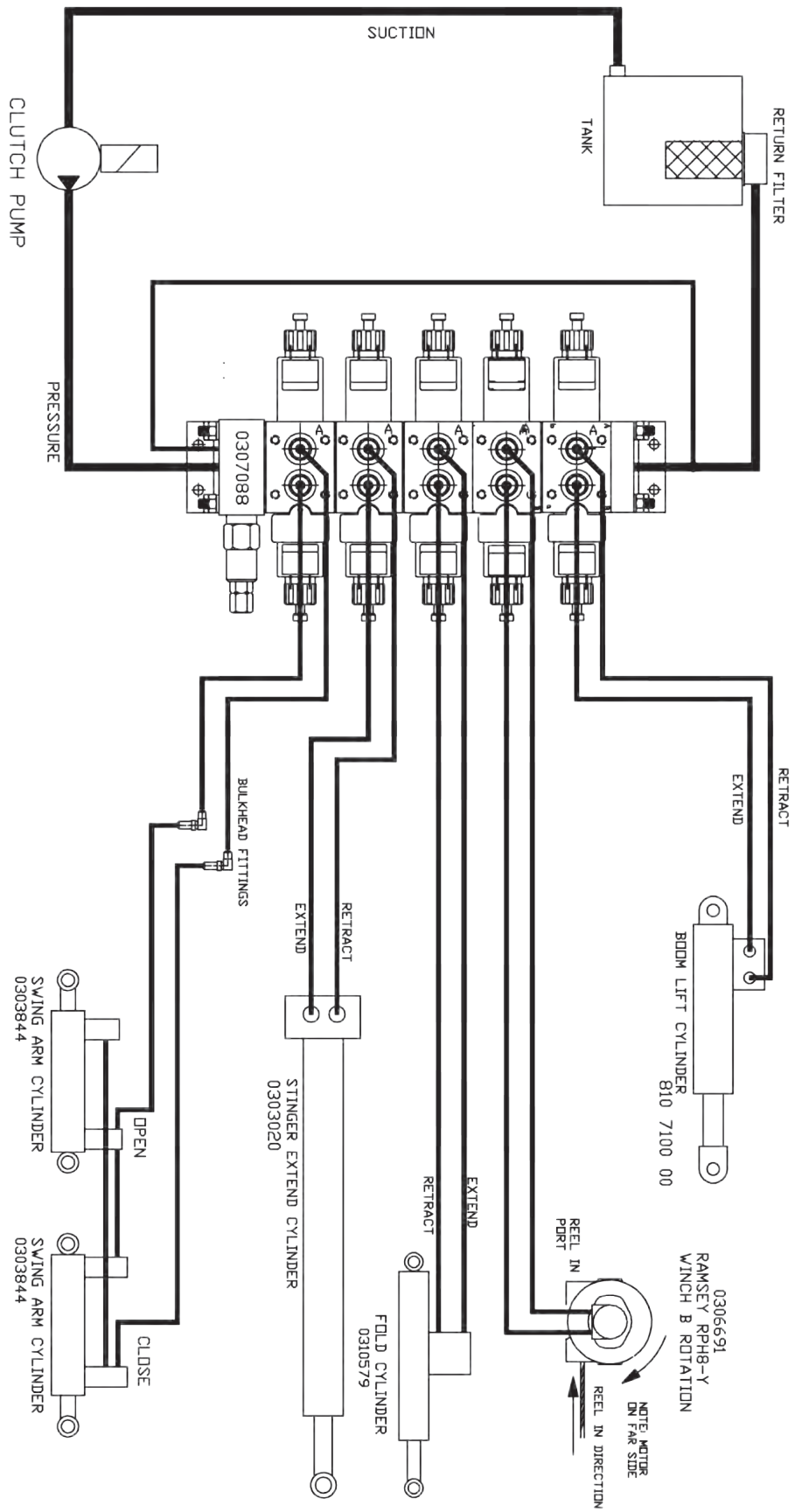
Section II - SCHEMATICS

ELECTRICAL SCHEMATIC



Section II - SCHEMATICS

HYDRAULIC SCHEMATIC





Miller Industries Towing Equipment Inc.
8503 Hilltop Drive • Ooltewah, Tennessee 37363 • (423) 238-4171
www.millerind.com