



## OWNER'S MANUAL

### MODEL EB-3 (SO1 & SO3)

#### INSTALLATION, OPERATION, MAINTENANCE & PARTS

**NOTE: MANUAL including SPECIFICATIONS, subject to change without notice  
All ratings specified are based on structural factors only,  
not vehicle capacities or capabilities.**



Miller Industries Towing Equipment Inc.  
8503 Hilltop Drive  
Ooltewah, Tennessee 37363

FORM NO. 0500660  
12 / 97

Phone (423) 238-4171 • FAX (423) 238-5371

PRICE \$25.00

## LIMITED WARRANTY

MILLER INDUSTRIES TOWING EQUIPMENT INC., hereinafter referred to as MILLER, warrants to the original purchaser that each new MILLER wrecker or other MILLER products will be free from defects in material and workmanship for a period of twelve (12) months from date placed in service, but in no event shall such warranty period exceed twenty-four (24) months from date of manufacture by MILLER. The purchaser must promptly notify MILLER in writing of any failure in material or workmanship. In no event shall MILLER accept such notification later than twenty-four (24) months from date of delivery or twelve (12) months from date placed in service, whichever is earlier.

MILLER's obligation under this warranty, statutory or otherwise, is limited to the repair or replacement at the MILLER factory, or at a point designated by MILLER, of such part or parts as shall appear upon inspection by MILLER to be defective in material or workmanship. New or remanufactured parts will be used for any replacement at MILLER's option. This warranty is not transferable. This warranty does not obligate MILLER to bear the cost of labor or transportation charges in connection with the repair or replacement of any parts found to be defective, nor shall it apply to a product upon which repairs or alterations have been made unless authorized by MILLER.

EXCEPT AS EXPRESSLY SET FORTH IN THIS WARRANTY, MILLER MAKES NO OTHER WARRANTY, EXPRESS OR IMPLIED, AND HEREBY DISCLAIMS ALL OTHER WARRANTIES INCLUDING, BUT NOT LIMITED TO, THE IMPLIED WARRANTIES OF MERCHANTABILITY AND FITNESS FOR A PARTICULAR PURPOSE. MILLER shall in no event be liable for claimed downtime, claimed loss of profits or goodwill, or any other special, incidental, indirect, or consequential damages concerning or relating to any product or parts, whether based on negligence, strict liability, breach of contract, breach of warranty, misrepresentation or any other legal theory, regardless of whether the loss resulted from any general or particular requirement which MILLER knew or had reason to know about at the time of sale.

MILLER MAKES NO WARRANTY, EXPRESS OR IMPLIED, AS TO THE FINISHED PRODUCTS MANUFACTURED OR SUPPLIED BY ANOTHER MANUFACTURER AND SUPPLIED BY MILLER TO PURCHASER, including, but not limited to, any vehicle to which a MILLER product may be affixed or any accessories or wire rope, and MILLER EXPRESSLY DISCLAIMS ANY IMPLIED WARRANTIES OF MERCHANTABILITY OR FITNESS FOR A PARTICULAR PURPOSE AS TO SUCH EQUIPMENT OR PRODUCTS. This language shall in no way affect or diminish the rights of the purchaser to rely on such warranties as are extended by such manufacturers or suppliers. MILLER shall, to the extent permitted under applicable law, pass on to the purchaser such manufacturer's or seller's warranty.

MILLER, whose policy is one of continuous improvement, reserves the right to improve its products through changes in design or materials as it may deem desirable without being obligated to incorporate such changes in products previously sold. This warranty is not intended to cover or include the following items, which are set forth by way of example and not limitation:

- A. Normal deterioration of trim, paint, lettering, and appearance items due to wear or exposure to weather, road conditions, road treatments, etc.
- B. Any damage or defect due to accident, misuse, abuse, improper or unauthorized repairs, failure to provide reasonable and necessary maintenance, or uses for which the equipment was not designed or intended.
- C. Alterations or modifications that affect performance, operation or reliability.
- D. Normal maintenance parts including, but not limited to, wear pads, bushings, wire rope, mud flaps, fenderettes, light bulbs, hydraulic oil, filters, and tow sling belts.

**IT IS EXPRESSLY UNDERSTOOD THAT MILLER MAKES NO IMPLIED WARRANTY THAT MILLER PRODUCTS SHALL BE FIT FOR THE PURPOSE OF LIFTING OR MOVING PEOPLE OR FOR ANY OTHER IMPROPER USE.**



Miller Industries Towing Equipment Inc.  
8503 Hilltop Drive  
Ooltewah, Tennessee 37363

**SERIAL NUMBER**

Telephone (423) 238-4171

## Section VI - PARTS

This Section is provided by the manufacturer for the purpose of ordering any component part of the **EAGLE EB3 WRECKER** that may be required when part replacement is necessary. Be certain to use only original equipment replacement parts for warranty purposes as well as for keeping your **EAGLE EB3 WRECKER** in its original state and optimum operating capacities.

When ordering replacement or spare parts be sure to provide the following information to the manufacturer's **Parts Department**.

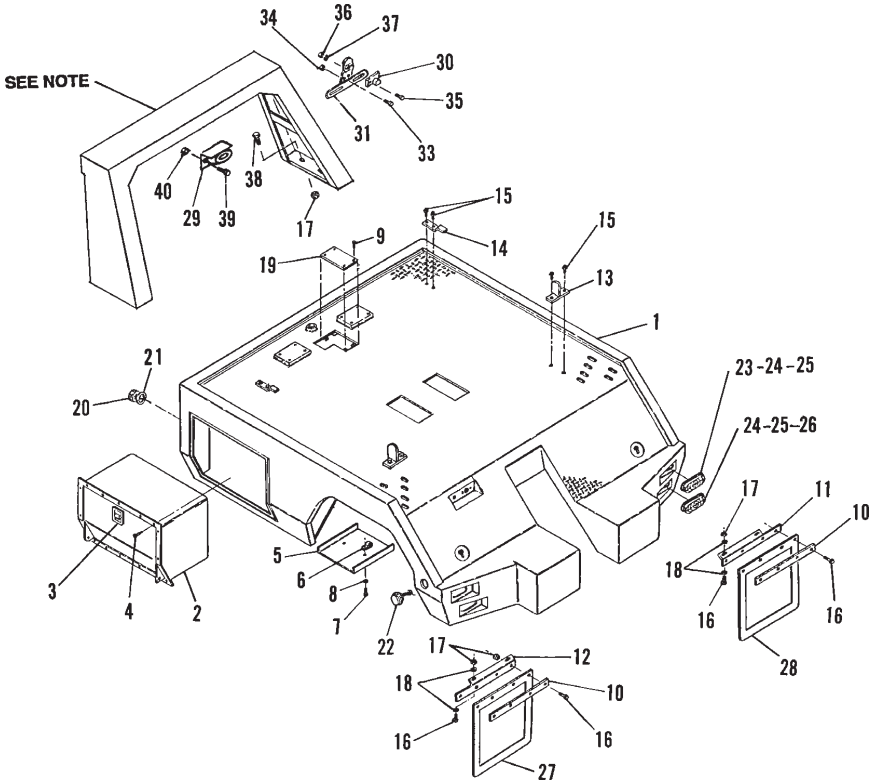
1. **Manual Number & Date of Publication**
2. **Manual Page Number**
3. **Page Title**
4. **Reference Number of Part Desired**
5. **Part Number**
6. **Part Description**
7. **Quantity of Part Desired**

Providing this information will help ensure that the correct parts will be delivered to you in an expedient manner without delay. Should additional information be required for repair or replacement of certain components, contact your Wrecker Manufacturer Authorized Representative.

The Manufacturer reserves the right, without notice or obligation, to improve or modify their products, which may change the specifications, models and feature availability.

# Section VI - PARTS (cont'd)

## BODY ASSEMBLY



## Section VI - PARTS (cont'd)

### BODY ASSEMBLY

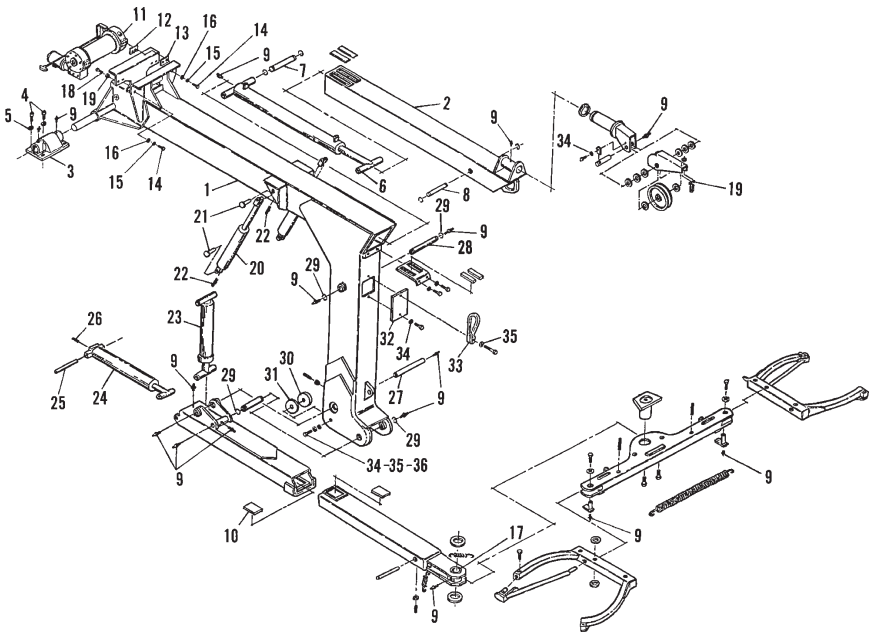
| REF.<br>NO. | NO.<br>REQD | PART<br>NUMBER | DESCRIPTION                               |
|-------------|-------------|----------------|---|
| 1           | 1           | 0802629        | BODY WELDMENT, 60 C.A.                    |
| 2           | 1           | 0801258        | TOOLBOX, 32"                              |
| 3           | 1           | 0302855        | LATCH, TOOL COMPARTMENT, PLAIN            |
| 4           | 16          | 0400567        | RIVET, 1/8" X 1/4" POP                    |
| 5           | 2           | 0704516        | GUARD, CONTROL STATION                    |
| 6           | 4           | 0400370        | CLIP, 1/4" "U" TINNERMAN                  |
| 7           | 4           | 0400066        | SCREW, 1/4"-20 X 3/4" HEX HD CAP GR5 ZP   |
| 8           | 4           | 0400452        | LOCKWASHER, 1/4" HELICAL                  |
| 9           | 4           | 0400233        | SCREW, 5/16"-18 X 1/2" HEX HD CAP GR5 ZP  |
| 10          | 2           | 0705092        | BAR, MUD FLAP                             |
| 11          | 1           | 0708809        | MUD FLAP MOUNTING ANGLE, RIGHT            |
| 12          | 1           | 0708810        | MUD FLAP MOUNTING ANGLE, LEFT             |
| 13          | 2           | 0802712        | STORAGE BRACKET WELDMENT                  |
| 14          | 2           | 0707510        | STORAGE BRACKET                           |
| 15          | 8           | 0400062        | SCREW, 1/4"-20 X 3/4" THRD CUTTING        |
| 16          | 12          | 0400122        | SCREW, 3/8"-16 X 1-1/4" HEX HD CAP GR5 ZP |
| 17          | 12          | 0400392        | NUT, 3/8"-16 HEX NYLOK                    |
| 18          | 8           | 0400480        | WASHER, 3/8" FLAT                         |
| 19          | 1           | 0708931        | ACCESS COVER                              |
| 20          | 2           | 0301742        | SEALED MARKER LIGHT, AMBER                |
| 21          | 4           | 0301740        | GROMMET MOUNTING KIT W/ PLUG              |
| 22          | 2           | 0301741        | SEALED MARKER LIGHT, RED                  |
| 23          | 2           | 0301390        | STOP & TURN LIGHT BODY                    |
| 24          | 4           | 0304124        | STOP & TURN BEZEL                         |
| 25          | 8           | 0304123        | SCREW FOR BEZEL                           |
| 26          | 2           | 0302201        | BACKUP LIGHT                              |
| 27          | 1           | AWS-9020-A-D   | MUD FLAP, LEFT                            |
| 28          | 1           | AWS-9020-A-P   | MUD FLAP, RIGHT                           |
| 29          | 1           | 0303061        | BACK UP ALARM                             |
| 30          | 1           | 0300273        | LICENSE PLATE ILLUMINATOR                 |
| 31          | 1           | 0300076        | LICENSE PLATE BRACKET                     |
| 32          | 2           | 0400057        | SCREW, 1/4"-20 X 1-1/4" HEX HD CAP        |
| 33          | 2           | 0400070        | SCREW, 1/4"-20 X 1" HEX HD CAP            |
| 34          | 2           | 0400367        | NUT, 1/4"-20 HEX NYLOK                    |
| 35          | 2           | 0400061        | SCREW, 1/4"-20 X 3/4" PAN HD              |
| 36          | 2           | 0400366        | NUT, 1/4"-20 HEX                          |
| 37          | 2           | 0400452        | LOCKWASHER, 1/4" HELICAL                  |
| 38          | 4           | 0400141        | SCREW, 3/8"-16 X 7/8" HEX HD CAP GR5 ZP   |
| 39          | 2           | 0400118        | SCREW, 5/16"-18 X 3/4" HEX HD CAP GR5 ZP  |
| 40          | 2           | 0400382        | NUT, 5/16"-18 HEX NYLOK                   |

NOTE: CONTACT FACTORY FOR LIGHT BAR PYLON INFORMATION.

# Section VI - PARTS (cont'd)

## WRECKER ASSEMBLY - S01

(Continued on Page VI-6)



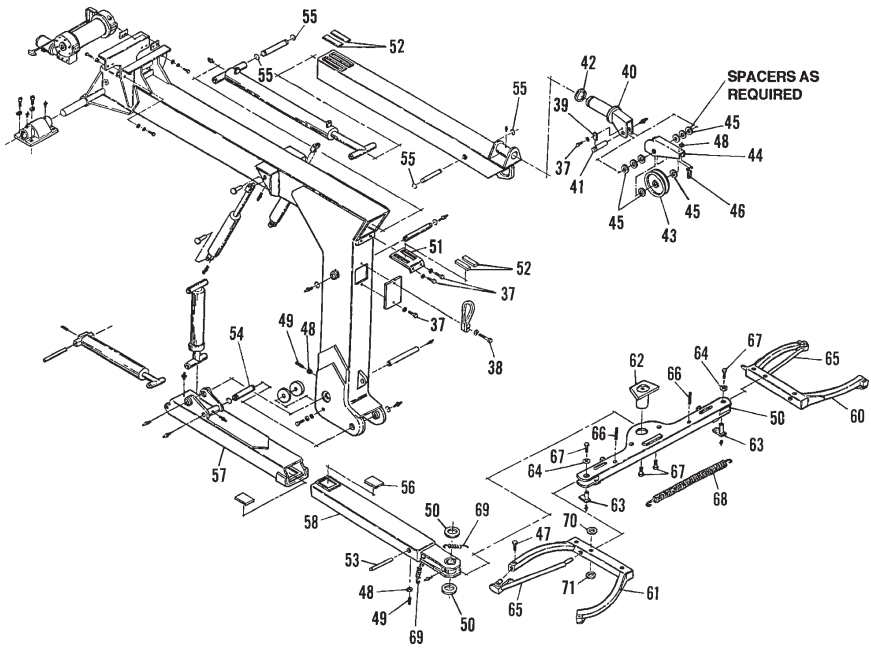
**Section VI - PARTS (cont'd)**  
**WRECKER ASSEMBLY - S01**  
**(Continued on Page VI-7)**

| REF. NO. | NO. REQD | PART NUMBER | DESCRIPTION                               |
|----------|----------|-------------|---|
| 1        | 1        | 0802556     | MAIN BOOM WELDMENT                        |
| 2        | 1        | 0802555     | OUTER BOOM WELDMENT-SINGLE WINCH          |
| 3        | 2        | 3000B-28    | TRUNION PIVOT WELDMENT                    |
| 4        | 8        | 0400249     | SCREW, 5/8"-11 X 1-1/4" SOC HD CAP        |
| 5        | 8        | 0400508     | WASHER, 5/8" HELICAL LOCK                 |
| 6        | 1        | 0302948     | CYLINDER, BOOM EXTEND                     |
| 7        | 1        | 0703082     | PIN, EXTEND CYLINDER PIVOT                |
| 8        | 1        | 0705499     | SHAFT, BOOM CYLINDER                      |
| 9        | 18       | 0300113     | GREASE FITTING                            |
| 10       | 1        | 0303018     | SLIDE PAD, NYLATRON                       |
| 11       | 1        | 0302936     | WINCH ASSEMBLY (LESS MOTOR)               |
| 12       | 2        | 0706668     | SHIM, WINCH MOUNTING                      |
| 13       | 2        | 0708518     | SPACER, WINCH BUCKET                      |
| 14       | 7        | 0400126     | SCREW, 3/8"-16 X1-1/4" HEX HD CAP GR5 ZP  |
| 15       | 7        | 0400482     | LOCKWASHER, 3/8" HELICAL                  |
| 16       | 6        | 0400480     | WASHER, 3/8" FLAT                         |
| 17       | 1        | 0301914     | BEARING, INNER BOOM                       |
| 18       | 1        | 0400150     | SCREW, 3/8"-16 X 2-1/2" HEX HD CAP GR5 ZP |
| 19       | 1        | 0400393     | NUT, 3/8"-16 HEX JAM                      |
| 20       | 2        | IT-27B      | BOOM ELEVATION CYLINDER                   |
| 21       | 4        | BK-518      | PIN, BOOM CYLINDER                        |
| 22       | 4        | BK-519      | HAIR PIN, BOOM CYLINDER PIN               |
| 23       | 1        | 0302919     | CYLINDER, UNDERLIFT FOLD                  |
| 24       | 1        | 0301825     | CYLINDER, UNDERLIFT EXTEND                |
| 25       | 1        | 0703345     | SHAFT, UNDERLIFT EXTEND CYLINDER          |
| 26       | 1        | 0400120     | SCREW, 1/4"-20 X 1/2" ALLEN HD SET        |
| 27       | 1        | 0708407     | SHAFT, LOWER-TILT CYLINDER                |
| 28       | 1        | 0708408     | SHAFT, UPPER-TILT CYLINDER                |
| 29       | 4        | AWS-3022-A  | SNAP RING                                 |
| 30       | 2        | 0708406     | PAD, GUIDE                                |
| 31       | 6        | 0708410     | SHIM, GUIDE PAD                           |
| 32       | 1        | 0708519     | PLATE, COVER-BOOM UPPER                   |
| 33       | 1        | 0301533     | STRAP, 15" TIE DOWN                       |
| 34       | 7        | 0400452     | LOCKWASHER, 1/4" ZP                       |
| 35       | 3        | 0400451     | WASHER, 1/4" FLAT ZP                      |
| 36       | 2        | 0400070     | SCREW, 1/4"-20 X 1" HEX HD CAP GR5 ZP     |

# Section VI - PARTS (cont'd)

## WRECKER ASSEMBLY - S01

(Continued from Page VI-4)



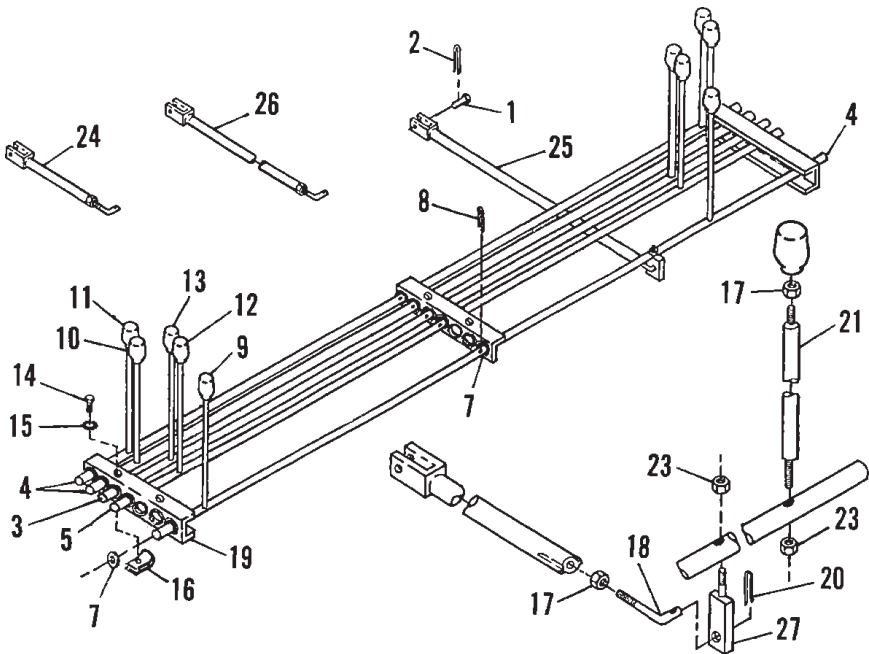


**Section VI - PARTS (cont'd)**  
**WRECKER ASSEMBLY - S01**  
**(Continued from Page VI-5)**

| REF.<br>NO. | NO.<br>REQD | PART<br>NUMBER | DESCRIPTION                               |
|-------------|-------------|----------------|---|
| 37          | 4           | 0400060        | SCREW, 1/4"-20 X 1/2" HEX HD CAP GR5 ZP   |
| 38          | 1           | 0400078        | SCREW, 1/4"-20 X 2" HEX HD CAP GR5 ZP     |
| 39          | 1           | 0700032        | SHAFT RETAINER                            |
| 40          | 1           | 0800003        | SWIVEL, BOOM END                          |
| 41          | 1           | 0700056        | SHAFT, SHEAVE                             |
| 42          | 1           | 0300108        | SNAP RING, 2-1/2" DIA EXTERNAL            |
| 43          | 1           | 0300022        | SHEAVE, 6"                                |
| 44          | 1           | 0800735        | GUIDE, CABLE                              |
| 45          | 2           | 0700166        | WASHER, SPACER                            |
| 46          | 1           | 0301531        | "U" BOLT (FROM 3/8" CABLE CLAMP)          |
| 47          | 2           | 0400181        | SCREW, 1/2"-13 X 1-1/2" HEX HD CAP GR5 ZP |
| 48          | 4           | 0400392        | NUT, 3/8"-16 HEX NYLOK                    |
| 49          | 2           | 0400139        | SCREW, 3/8"-16 X 1-1/2" HEX SKT SET       |
| 50          | 2           | 0703640        | WASHER, THRUST                            |
| 51          | 1           | 0708570        | RETAINER, BOLT-ON PAD                     |
| 52          | 4           | 0300679        | BEARING PAD, NYLATRON                     |
| 53          | 1           | 0702131        | SHAFT, INNER TUBE CYLINDER                |
| 54          | 1           | 0708409        | SHAFT, BOOM PIVOT                         |
| 55          | 4           | 0300110        | SNAP RING, 1"                             |
| 56          | 1           | 0301850        | SLIDE PAD, NYLATRON                       |
| 57          | 1           | 0802748        | OUTER BOOM WELDMENT - EB3                 |
| 58          | 1           | 0802749        | INNER BOOM WELDMENT - EB3                 |
| 59          | 1           | E801000        | CROSSBAR                                  |
| 60          | 1           | E801003        | CLAW WELDMENT, RIGHT                      |
| 61          | 1           | E901002        | CLAW WELDMENT, LEFT                       |
| 62          | 1           | 0801073        | PIVOT PIN WELDMENT                        |
| 63          | 2           | E801008        | STANDARD CLAW PIVOT PIN WELDMENT          |
| 64          | 2           | E700030        | WASHER, STANDARD CLAW PIVOT PIN           |
| 65          | 2           | E801020        | TIRE ADAPTER WELDMENT                     |
| 66          | 2           | 0400579        | SPRING PIN, 3/8" X 4" ZP                  |
| 67          | 4           | 0701956        | SCREW, OUTER CROSS TUBE RET.              |
| 68          | 1           | AWS-1011-A     | SPRING, CLAW                              |
| 69          | 2           | AWS-1012-B     | SPRING, CROSSBAR                          |
| 70          | 4           | AWS-1055-A     | CLAW BEARING SHIM, THICK                  |
| 71          | 2           | AWS-1055-B     | CLAW BEARING SHIM, THIN                   |

# Section VI - PARTS (cont'd)

## CONTROL & CROSSROD ASSEMBLY - S01



## Section VI - PARTS (cont'd)

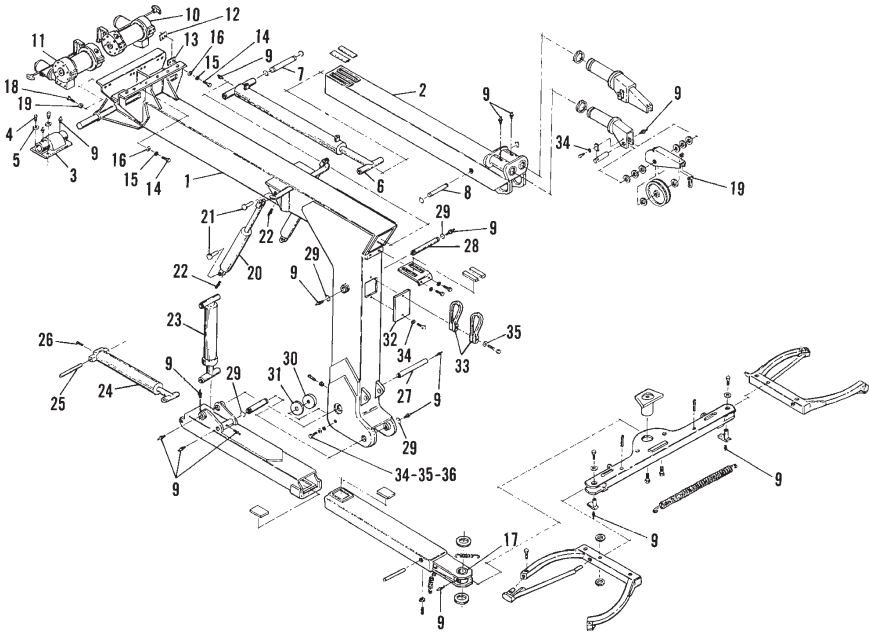
### CONTROL & CROSSROD ASSEMBLY - S01

| REF.<br>NO. | NO.<br>REQD | PART<br>NUMBER | DESCRIPTION                           |
|-------------|-------------|----------------|---------------------------------------|
| 1           | 5           | 0400527        | CLEVIS PIN, 5/16" DIA COTTERLESS S.S. |
| 2           | 5           | 0400541        | COTTER PIN, 1/16" X 3/4"              |
| 3           | 1           | 0703528        | CROSSROD - WHEEL LIFT                 |
| 4           | 3           | 0704529        | CROSSROD - WRECKER                    |
| 5           | 1           | 0704530        | CROSSROD - TILT                       |
| 6           | 1           | 0703501        | ANGLE, CROSSROD BEARING               |
| 7           | 15          | 0300122        | GROMMET, SPLIT PLASTIC                |
| 8           | 10          | 0400539        | COTTER, PIN, 3/16" X 1-1/2"           |
| 9           | 2           | 0300834        | KNOB, CABLE IN/OUT (RED)              |
| 10          | 2           | 0300835        | KNOB, WRECKER BOOM UP/DN (BLACK)      |
| 11          | 2           | 0300837        | KNOB, WRECKER BOOM IN/OUT (BLACK)     |
| 12          | 2           | 0302917        | KNOB, W/L IN/OUT (GREY)               |
| 13          | 2           | 0302856        | KNOB, W/L TILT (GREY)                 |
| 14          | 6           | 0400063        | SCREW, 1/4"-20 X 1-1/2" LG HEX HD CAP |
| 15          | 6           | 0400452        | LOCKWASHER, 1/4" EXT TOOTH            |
| 16          | 6           | 0400370        | CLIP, 1/4" TINNEMAN                   |
| 17          | 15          | 0400393        | NUT, 3/8"-16 JAM                      |
| 18          | —           | 0701099        | EXTENSION, CONTROL ROD LONG           |
| 19          | 2           | 0704517        | CHANNEL, CROSSROD BEARING             |
| 20          | 5           | 0400543        | COTTER PIN, 1/8" X 3/4"               |
| 21          | 10          | 0704527        | LEVER, CONTROL                        |
| 22          | 5           | 0800604        | ARM, CROSS CONTROL                    |
| 23          | 15          | 0400390        | NUT, 3/8"-16 JAM ESLOCK               |
| 24          | —           | 0800612        | CONTROL ROD, SHORT                    |
| 25          | —           | 0800613        | CONTROL ROD, LONG                     |
| 26          | —           | 0800955        | CONTROL ROD, MEDIUM                   |
| 27          | 5           | 0800804        | ARM, CROSSROD CONTROL                 |

# Section VI - PARTS (cont'd)

## WRECKER ASSEMBLY - S03

(Continued on Page VI-12)



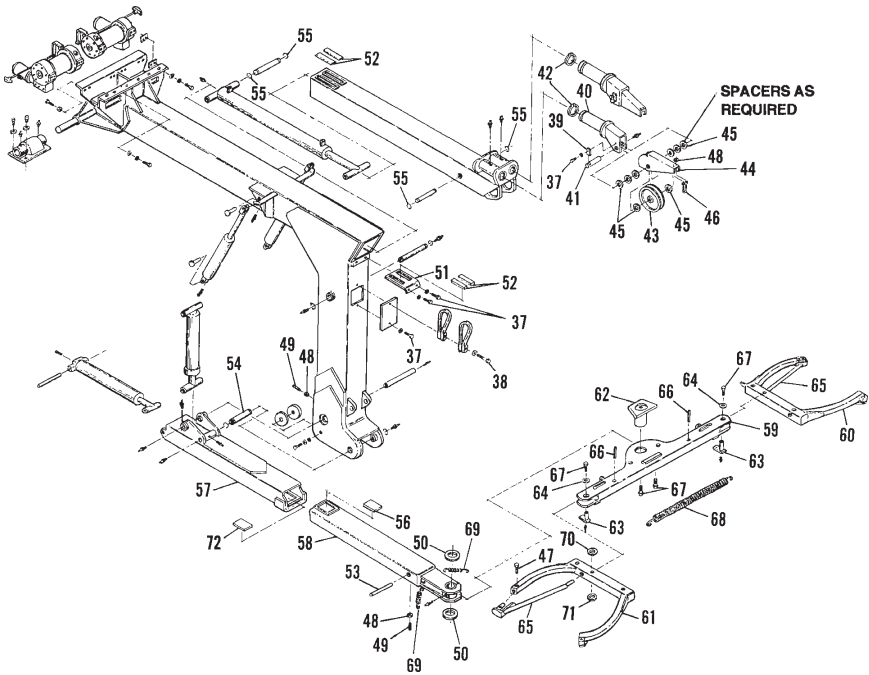
**Section VI - PARTS (cont'd)**  
**WRECKER ASSEMBLY - S03**  
**(Continued on Page VI-13)**

| REF. NO. | NO. REQ'D | PART NUMBER | DESCRIPTION                               |
|----------|-----------|-------------|---|
| 1        | 1         | 0802557     | MAIN BOOM WELDMENT                        |
| 2        | 1         | 0802553     | INNER BOOM WELDMENT - DUAL WINCH          |
| 3        | 1         | 3000B-28    | TRUNION PIVOT WELDMENT                    |
| 4        | 8         | 0400249     | SCREW, 5/8"-11 X 1-1/4" SOC HD CAP        |
| 5        | 8         | 0400508     | WASHER, 5/8" HELICAL LOCK                 |
| 6        | 1         | 0302948     | CYLINDER, BOOM EXTEND                     |
| 7        | 1         | 0703082     | PIN, EXTEND CYLINDER PIVOT                |
| 8        | 1         | 0705499     | SHAFT, BOOM CYLINDER                      |
| 9        | 20        | 0300113     | GREASE FITTING                            |
| 10       | 1         | 0302936     | WINCH ASSEMBLY, RIGHT (LESS MOTOR)        |
| 11       | 1         | 0302937     | WINCH ASSEMBLY, LEFT (LESS MOTOR)         |
| 12       | 4         | 0706668     | SHIM, WINCH MOUNTING                      |
| 13       | 4         | 0708518     | SPACER, WINCH BUCKET                      |
| 14       | 14        | 0400126     | SCREW, 3/8"-16 X1-1/4" HEX HD CAP GR5 ZP  |
| 15       | 14        | 0400482     | LOCKWASHER, 3/8" HELICAL                  |
| 16       | 12        | 0400480     | WASHER, 3/8" FLAT                         |
| 17       | 1         | 0301914     | BEARING, INNER BOOM                       |
| 18       | 2         | 0400150     | SCREW, 3/8"-16 X 2-1/2" HEX HD CAP GR5 ZP |
| 19       | 2         | 0400393     | NUT, 3/8"-16 HEX JAM                      |
| 20       | 2         | IT-27B      | BOOM ELEVATION CYLINDER                   |
| 21       | 4         | BK-518      | PIN, BOOM CYLINDER                        |
| 22       | 4         | BK-519      | HAIR PIN, BOOM CYLINDER PIN               |
| 23       | 1         | 0302919     | CYLINDER, UNDERLIFT FOLD                  |
| 24       | 1         | 0301825     | CYLINDER, UNDERLIFT EXTEND                |
| 25       | 1         | 0703345     | SHAFT, UNDERLIFT EXTEND CYLINDER          |
| 26       | 1         | 0400120     | SCREW, 1/4"-20 X 1/2" ALLEN HD SET        |
| 27       | 1         | 0708407     | SHAFT, LOWER-TILT CYLINDER                |
| 28       | 1         | 0708408     | SHAFT, UPPER-TILT CYLINDER                |
| 29       | 4         | AWS-3022-A  | SNAP RING                                 |
| 30       | 2         | 0708406     | PAD, GUIDE                                |
| 31       | 6         | 0708410     | SHIM, GUIDE PAD                           |
| 32       | 1         | 0708519     | PLATE, COVER-BOOM UPPER                   |
| 33       | 2         | 0301533     | STRAP, 15" TIE DOWN                       |
| 34       | 7         | 0400452     | LOCKWASHER, 1/4" ZP                       |
| 35       | 3         | 0400451     | WASHER, 1/4" FLAT ZP                      |
| 36       | 2         | 0400070     | SCREW, 1/4"-20 X 1" HEX HD CAP GR5 ZP     |

# Section VI - PARTS (cont'd)

## WRECKER ASSEMBLY - S03

(Continued from Page VI-10)

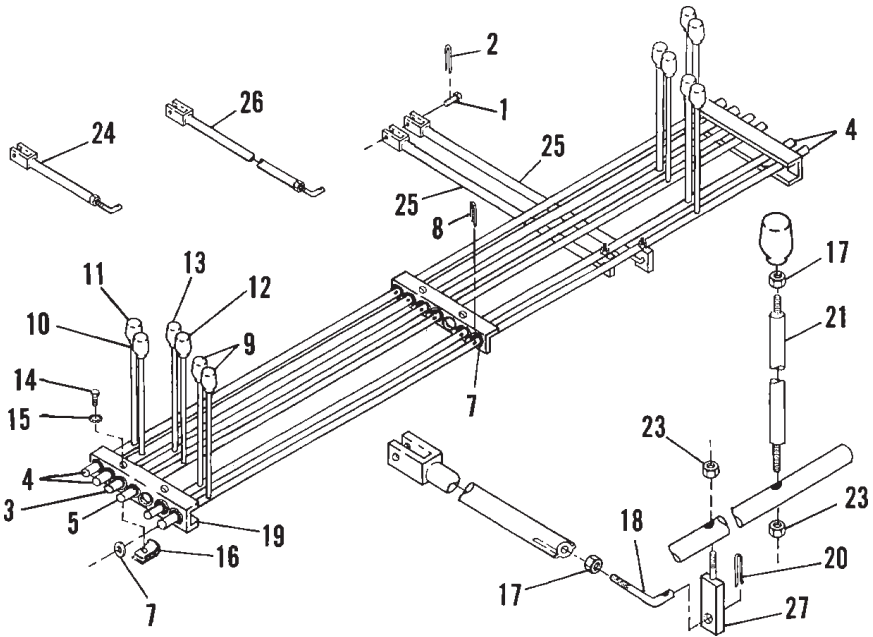


**Section VI - PARTS (cont'd)**  
**WRECKER ASSEMBLY - S03**  
**(Continued from Page VI-11)**

| REF.<br>NO. | NO.<br>REQD | PART<br>NUMBER | DESCRIPTION                               |
|-------------|-------------|----------------|---|
| 37          | 5           | 0400060        | SCREW, 1/4"-20 X 1/2" HEX HD CAP GR5 ZP   |
| 38          | 1           | 0400078        | SCREW, 1/4"-20 X 2" HEX HD CAP GR5 ZP     |
| 39          | 2           | 0700032        | SHAFT RETAINER                            |
| 40          | 2           | 0800003        | SWIVEL, BOOM END                          |
| 41          | 2           | 0700056        | SHAFT, SHEAVE                             |
| 42          | 2           | 0300108        | SNAP RING, 2-1/2" DIA EXTERNAL            |
| 43          | 2           | 0300022        | SHEAVE, 6"                                |
| 44          | 2           | 0800735        | GUIDE, CABLE                              |
| 45          | 4           | 0700166        | WASHER, SPACER                            |
| 46          | 2           | 0301531        | U BOLT (FROM 3/8" CABLE CLAMP)            |
| 47          | 2           | 0400181        | SCREW, 1/2"-13 X 1-1/2" HEX HD CAP GR5 ZP |
| 48          | 6           | 0400392        | NUT, 3/8"-16 HEX NYLOK                    |
| 49          | 2           | 0400139        | SCREW, 3/8"-16 X 1-1/2" HEX SKT SET       |
| 50          | 2           | 0703640        | WASHER, THRUST                            |
| 51          | 1           | 0708570        | RETAINER, BOLT-ON PAD                     |
| 52          | 4           | 0300679        | BEARING PAD, NYLATRON                     |
| 53          | 1           | 0702131        | SHAFT, INNER TUBE CYLINDE                 |
| 54          | 1           | 0708409        | SHAFT, BOOM PIVOT                         |
| 55          | 4           | 0300110        | SNAP RING, 1"                             |
| 56          | 1           | 0301850        | SLIDE PAD, NYLATRON                       |
| 57          | 1           | 0802748        | OUTER BOOM WELDMENT - EB3                 |
| 58          | 1           | 0802749        | INNER BOOM WELDMENT - EB3                 |
| 59          | 1           | E801000        | CROSSBAR                                  |
| 60          | 1           | E801003        | CLAW WELDMENT, RIGHT                      |
| 61          | 1           | E901002        | CLAW WELDMENT, LEFT                       |
| 62          | 1           | 0801073        | PIVOT PIN WELDMENT                        |
| 63          | 2           | E801008        | STANDARD CLAW PIVOT PIN WELDMENT          |
| 64          | 2           | E700030        | WASHER, STANDARD CLAW PIVOT PIN           |
| 65          | 2           | E801020        | TIRE ADAPTER WELDMENT                     |
| 66          | 2           | 0400579        | SPRING PIN, 3/8" X 4" ZP                  |
| 67          | 4           | 0701956        | SCREW, OUTER CROSS TUBE RET.              |
| 68          | 1           | AWS-1011-A     | SPRING, CLAW                              |
| 69          | 2           | AWS-1012-B     | SPRING, CROSSBAR                          |
| 70          | 4           | AWS-1055-A     | CLAW BEARING SHIM, THICK                  |
| 71          | 2           | AWS-1055-B     | CLAW BEARING SHIM, THIN                   |
| 72          | 1           | 0303018        | SLIDE PAD, NYLATRON                       |

# Section VI - PARTS (cont'd)

## CONTROL & CROSSROD ASSEMBLY - S03





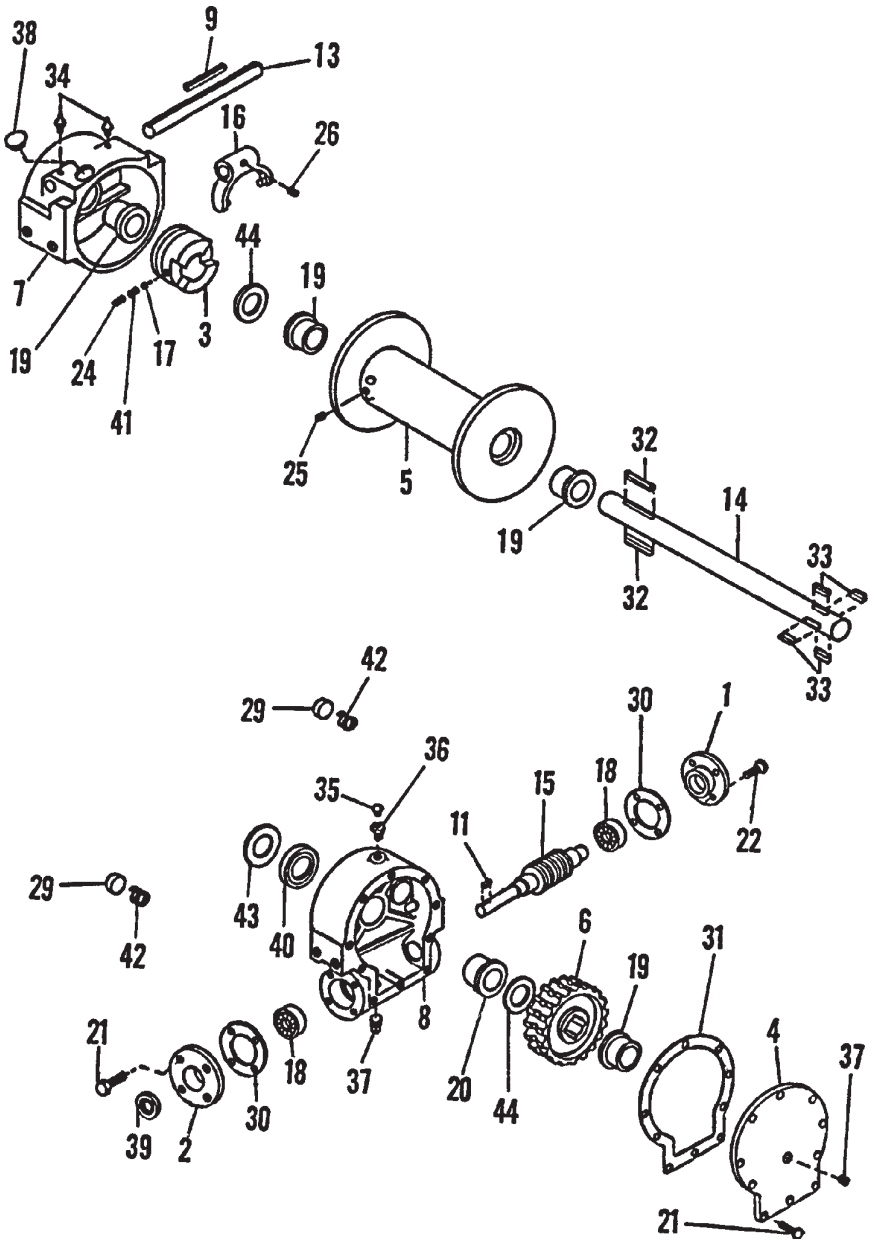
## Section VI - PARTS (cont'd)

### CONTROL & CROSSROD ASSEMBLY - S03

| REF.<br>NO. | NO.<br>REQD | PART<br>NUMBER | DESCRIPTION                           |
|-------------|-------------|----------------|---------------------------------------|
| 1           | 6           | 0400527        | CLEVIS PIN, 5/16" DIA COTTERLESS S.S. |
| 2           | 6           | 0400541        | COTTER PIN, 1/16" X 3/4"              |
| 3           | 1           | 0703528        | CROSSROD - WHEEL LIFT                 |
| 4           | 4           | 0704529        | CROSSROD - WRECKER                    |
| 5           | 1           | 0704530        | CROSSROD - TILT                       |
| 6           | 1           | 0703501        | ANGLE, CROSSROD BEARING               |
| 7           | 18          | 0300122        | GROMMET, SPLIT PLASTIC                |
| 8           | 12          | 0400539        | COTTER, PIN, 3/16" X 1-1/2"           |
| 9           | 4           | 0300834        | KNOB, CABLE IN/OUT (RED)              |
| 10          | 2           | 0300835        | KNOB, WRECKER BOOM UP/DN (BLACK)      |
| 11          | 2           | 0300837        | KNOB, WRECKER BOOM IN/OUT (BLACK)     |
| 12          | 2           | 0302917        | KNOB, W/L IN/OUT (GREY)               |
| 13          | 2           | 0302856        | KNOB, W/L TILT (GREY)                 |
| 14          | 6           | 0400063        | SCREW, 1/4"-20 X 1-1/2" LG HEX HD CAP |
| 15          | 6           | 0400452        | LOCKWASHER, 1/4" EXT TOOTH            |
| 16          | 6           | 0400370        | CLIP, 1/4" TINNEMAN                   |
| 17          | 18          | 0400393        | NUT, 3/8"-16 JAM                      |
| 18          | —           | 0701099        | EXTENSION, CONTROL ROD LONG           |
| 19          | 2           | 0704517        | CHANNEL, CROSSROD BEARING             |
| 20          | 6           | 0400543        | COTTER PIN, 1/8" X 3/4"               |
| 21          | 12          | 0704527        | LEVER, CONTROL                        |
| 22          | 6           | 0800604        | ARM, CROSS CONTROL                    |
| 23          | 18          | 0400390        | NUT, 3/8"-16 JAM ESLOCK               |
| 24          | —           | 0800612        | CONTROL ROD, SHORT                    |
| 25          | —           | 0800613        | CONTROL ROD, LONG                     |
| 26          | —           | 0800955        | CONTROL ROD, MEDIUM                   |
| 27          | 6           | 0800804        | ARM, CROSSROD CONTROL                 |

# Section VI - PARTS (cont'd)

## WINCH ASSEMBLY - HY246



## Section VI - PARTS (cont'd)

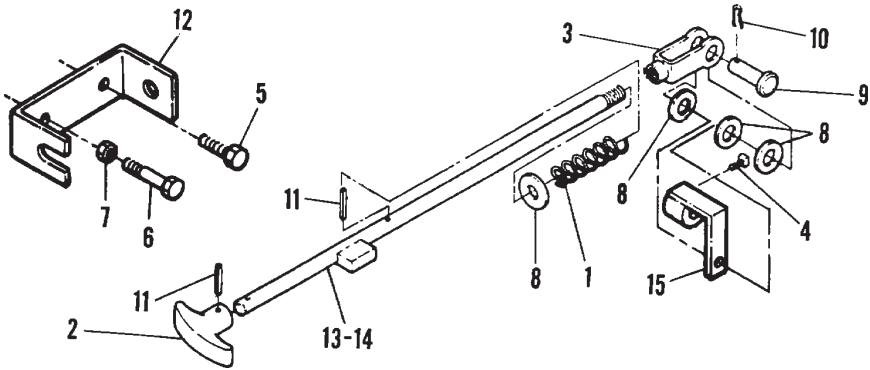
### WINCH ASSEMBLY - HY246

| REF.<br>NO. | NO.<br>REQD | PART<br>NUMBER | DESCRIPTION                             |
|-------------|-------------|----------------|---|
| 1           | 1           | 316083         | BEARING CAP                             |
| 2           | 1           | 316084         | BEARING CAP                             |
| 3           | 1           | 324161         | JAW CLUTCH                              |
| 4           | 1           | 328134         | COVER                                   |
| 5           | 1           | 332007         | DRUM "Y"                                |
| 6           | 1           | 334163         | GEAR, RH, 46:1                          |
| 7           | 1           | 338003         | HOUSING, CLUTCH                         |
| 8           | 1           | 338273         | HOUSING, GEAR                           |
| 9           | 1           | 342018         | KEY                                     |
| 10          | 1           | 342024         | KEY                                     |
| 11          | 1           | 342027         | KEY                                     |
| 12          | 1           | 344008         | LEVER, SHIFTER                          |
| 13          | 1           | 356902         | SHAFT, SHIFTER                          |
| 14          | 1           | 357480         | SHAFT, DRUM "Y"                         |
| 15          | 1           | 368002         | WORM, RH, 46:1                          |
| 16          | 1           | 370001         | YOKE                                    |
| 17          | 1           | 400001         | BALL, POPPET                            |
| 18          | 2           | 402002         | BEARING, BALL                           |
| 19          | 4           | 412003         | BUSHING                                 |
| 20          | 1           | 412045         | BUSHING                                 |
| 21          | 10          | 414038         | CAPSCREW, 1/4-20 NC X 3/4 LG HEX HD GR5 |
| 22          | 8           | 414045         | CAPSCREW, 1/4-20 NC X 7/8 LG HEX HD GR5 |
| 23          | 4           | 414282         | CAPSCREW, 3/8-16 NC X 3/4 HEX HD GR5    |
| 24          | 1           | 416040         | SETSCREW, 1/4-20 NC X 1-1/4 SOC HD LESS |
| 25          | 1           | 416059         | SETSCREW, 3/8-16 NC X 3/8 SOC HD LESS   |
| 26          | 1           | 416084         | SETSCREW, 1/4-20 NC X 1/2 LG SQ HD      |
| 27          | 1           | 416109         | SETSCREW, 5/16-18 NC X 1/2 LG SQ HD     |
| 28          | 4           | 418177         | LOCKWASHER, 3/8" MED SECT CP            |
| 29          | 2           | 438014         | DRAG BRAKE                              |
| 30          | 2           | 442184         | GASKET                                  |
| 31          | 1           | 442205         | GASKET                                  |
| 32          | 2           | 450006         | KEY, BARTH                              |
| 33          | 4           | 450016         | KEY, BARTH                              |
| 34          | 2           | 456006         | FITTING, LUBE                           |
| 35          | 1           | 456008         | FITTING, RELIEF                         |
| 36          | 1           | 468002         | REDUCER                                 |
| 37          | 2           | 468011         | PIPE PLUG                               |
| 38          | 1           | 472013         | PLASTIC PLUG                            |
| 39          | 1           | 486009         | OIL SEAL                                |
| 40          | 1           | 486017         | OIL SEAL                                |
| 41          | 1           | 494001         | SPRING, POPPET                          |
| 42          | 2           | 494002         | SPRING                                  |
| 43          | 1           | 518014         | THRUST WASHER                           |
| 44          | 2           | 518015         | THRUST WASHER                           |

# Section VI - PARTS (cont'd)

## WINCH CLUTCH CONTROL

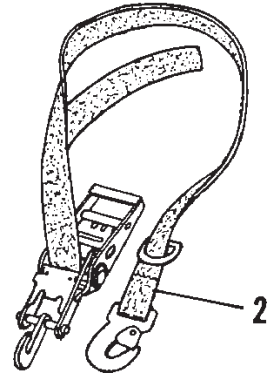
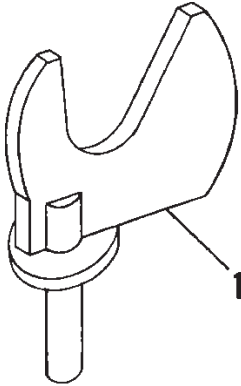
2 ASSEMBLIES REQ'D FOR DUAL WINCH WRECKER



| REF. NO. | NO. REQ'D | PART NUMBER | DESCRIPTION                           |
|----------|-----------|-------------|---------------------------------------|
| 1        | 1         | 0300845     | SPRING, COMPRESSION                   |
| 2        | 1         | 0301532     | "T" HANDLE                            |
| 3        | 1         | 0301588     | ADJUSTING YOKE                        |
| 4        | 1         | 0400116     | SCREW, 5/16"-18 X 1/2" LG SQ HD SET   |
| 5        | 1         | 0400126     | SCREW, 3/8"-16 X 1" LG HEX HD CAP     |
| 6        | 1         | 0400150     | SCREW, 3/8"-16 X 2-1/2" LG HEX HD CAP |
| 7        | 1         | 0400393     | NUT, 3/8" - 16 JAM                    |
| 8        | 4         | 0400492     | WASHER, 1/2" FLAT                     |
| 9        | 1         | 0400537     | CLEVIS PIN, 1/2" DIA. X 1-1/2" LG     |
| 10       | 1         | 0400546     | COTTER PIN, 1/8" X 1-1/4" LG          |
| 11       | 2         | 0400560     | ROLL PIN, 5/32" X 1" LG               |
| 12       | 1         | 0702408     | MOUNTING CHANNEL                      |
| 13       | 1         | 0802613     | CONTROL ROD, SINGLE WINCH             |
| 14       | 1         | 0802614     | CONTROL ROD, DUAL WINCH               |
| 15       | 1         | 0800779     | BELL CRANK WELDMENT                   |

# Section VI - PARTS (cont'd)

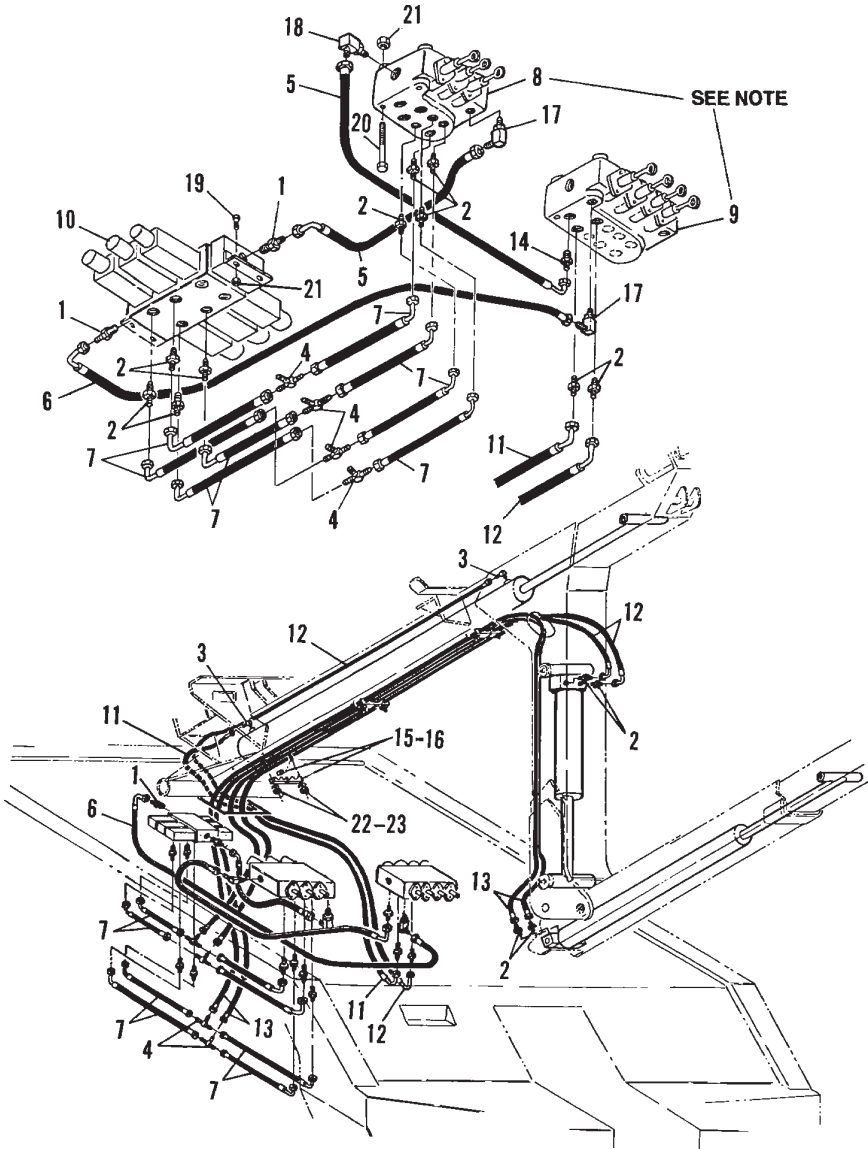
## WHEEL LIFT ACCESSORIES



| REF.<br>NO. | NO.<br>REQ'D | PART<br>NUMBER | DESCRIPTION             |
|-------------|--------------|----------------|-------------------------|
| 1           | 2            | E801013        | SHALLOW FORK WELDMENT   |
| 2           | 2            | AWS-1000-A     | TIE DOWN STRAP ASSEMBLY |

# Section VI - PARTS (cont'd)

## BOOM & UNDERLIFT HYDRAULICS



## Section VI - PARTS (cont'd)

### BOOM & UNDERLIFT HYDRAULICS

| REF.<br>NO. | NO.<br>REQ'D | PART<br>NUMBER | DESCRIPTION                               |
|-------------|--------------|----------------|---|
| 1           | 2            | 0300041        | O-RING CONNECTOR                          |
| 2           | 12           | 0300044        | O-RING CONNECTOR                          |
| 3           | 2            | 0300142        | ELBOW                                     |
| 4           | 4            | 0300206        | BRANCH TEE                                |
| 5           | 2            | 0301471        | HOSE ASSEMBLY                             |
| 6           | 1            | 0300787        | HOSE ASSEMBLY                             |
| 7           | 8            | 0301473        | HOSE ASSEMBLY                             |
| 8           | 1            | 0300010        | VALVE, 3 SPOOL CONTROL                    |
| 9           | 1            | 0302960        | VALVE, 4 SPOOL CONTROL                    |
| 10          | 1            | 0301883        | SOLENOID VALVE                            |
| 11          | 1            | 0301964        | HOSE ASSEMBLY, CYLINDER BASE END          |
| 12          | 3            | 0301965        | HOSE ASSEMBLY, CYLINDER ROD END           |
| 13          | 2            | 0302922        | HOSE ASSEMBLY, 170"                       |
| 14          | 1            | 0301780        | O-RING CONNECTOR                          |
| 15          | 6            | 0302546        | CLAMP UNIT, 2 HOLE                        |
| 16          | 12           | 0302549        | BUSHING, 1/2" SPLIT                       |
| 17          | 2            | 0300052        | O-RING ELBOW, 90°                         |
| 18          | 1            | 0301547        | O-RING ELBOW, SAE 90°                     |
| 19          | 4            | 0400122        | SCREW, 3/8"-16 X 1-1/4" HEX HD CAP GR5 ZP |
| 20          | 6            | 0400140        | SCREW, 3/8"-16 X 4" HEX HD CAP GR5 ZP     |
| 21          | 10           | 0400392        | NUT, 3/8"-16 HEX NYLOK                    |
| 22          | 6            | 0400367        | NUT, 1/4"-20 HEX NYLOK                    |
| 23          | 6            | 0400451        | WASHER, 1/4" FLAT                         |

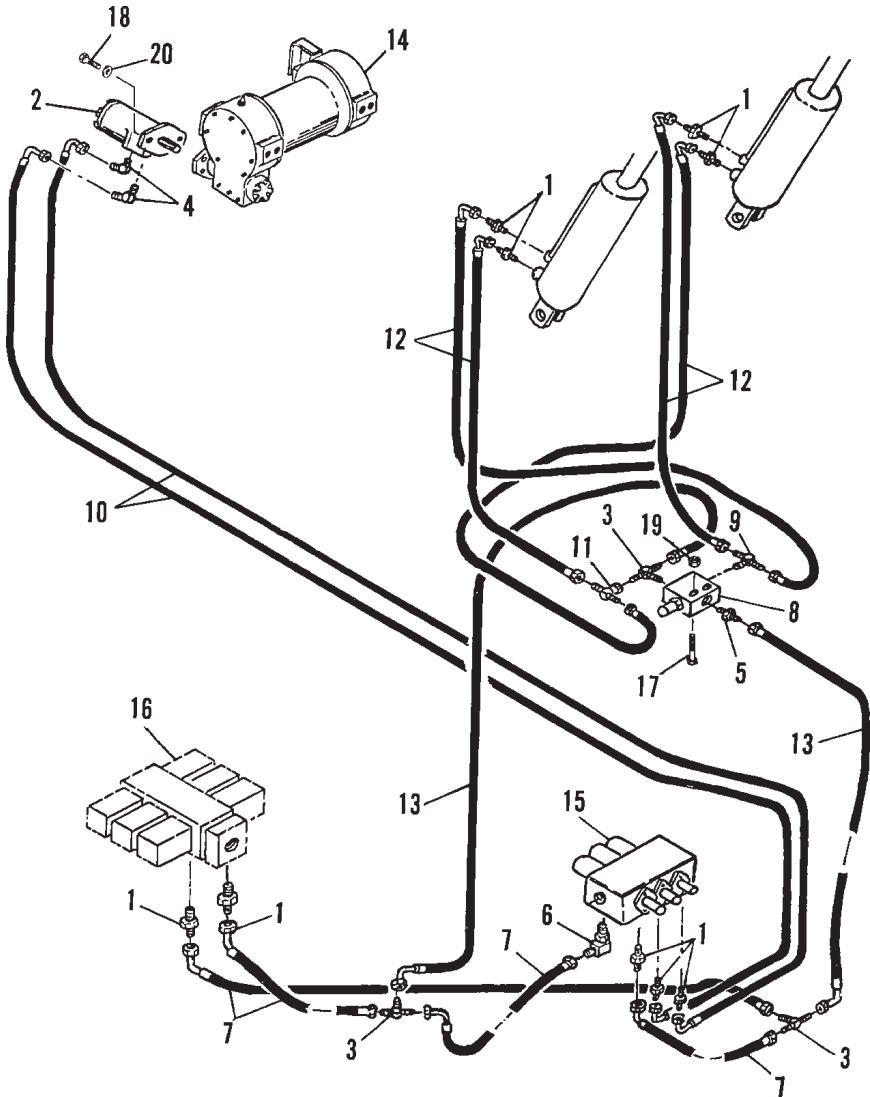
NOTE: S01 WRECKER REQUIRES TWO #8 VALVES.

S03 WRECKER REQUIRES ONE #8 VALVE AND ONE #9 VALVE.

# Section VI - PARTS (cont'd)

## BOOM ELEVATION & WINCH HYDRAULICS

### S01





# Section VI - PARTS (cont'd)

## BOOM ELEVATION & WINCH HYDRAULICS

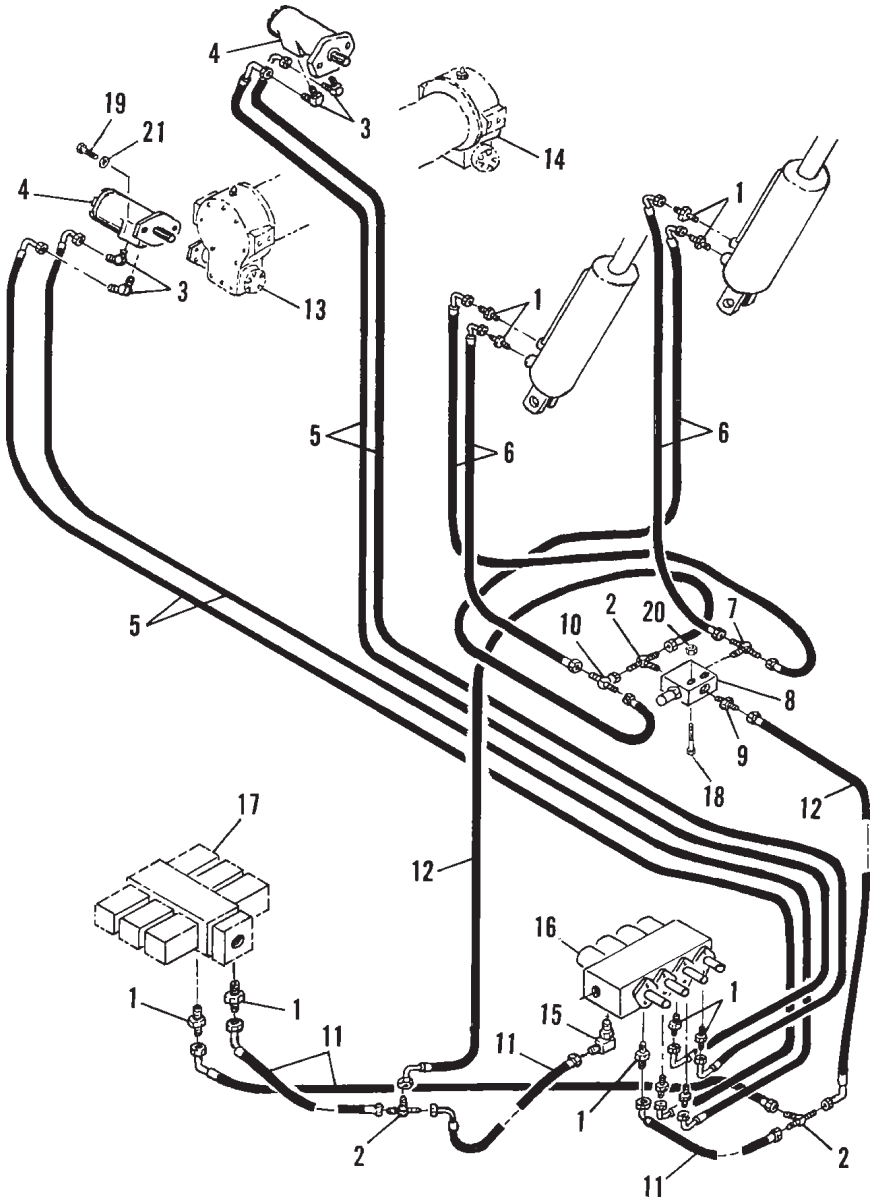
### S01

| REF.<br>NO. | NO.<br>REQD | PART<br>NUMBER | DESCRIPTION                           |
|-------------|-------------|----------------|---------------------------------------|
| 1           | 9           | 0300044        | O-RING CONNECTOR                      |
| 2           | 1           | 0300090        | HYDRAULIC MOTOR                       |
| 3           | 3           | 0300206        | BRANCH TEE                            |
| 4           | 2           | 0300229        | ADAPTER, 90°                          |
| 5           | 1           | 0301425        | CONNECTOR, MALE                       |
| 6           | 1           | 0301470        | ADAPTER, 90°                          |
| 7           | 4           | 0301473        | HOSE ASSEMBLY                         |
| 8           | 1           | 0301731        | HOLDING VALVE                         |
| 9           | 1           | 0301855        | MALE TEE                              |
| 10          | 2           | 0301893        | HOSE ASSEMBLY, WINCH MOTOR            |
| 11          | 1           | 0302573        | TEE, 6MJ-6MJ-6FJX                     |
| 12          | 2           | 0302926        | HOSE ASSEMBLY, 29"                    |
| 13          | 2           | 0302909        | HOSE ASSEMBLY, 36"                    |
| 14          | REF.        | 0302936        | WINCH ASSEMBLY, RIGHT                 |
| 15          | 1           | 0300010        | VALVE, 3 SPOOL CONTROL                |
| 16          | REF.        | 0301883        | SOLENOID VALVE                        |
| 17          | 2           | 0400078        | SCREW, 1/4"-20 X 2" HEX HD CAP GR5 ZP |
| 18          | 2           | 0400196        | SCREW, 1/2"-13 X 1-1/4" SKT HD CAP    |
| 19          | 2           | 0400367        | NUT, 1/4"-20 HEX NYLOK                |
| 20          | 2           | 0400491        | LOCKWASHER, 1/2" HELICAL              |

# Section VI - PARTS (cont'd)

## BOOM ELEVATION & WINCH HYDRAULICS

### S03



# Section VI - PARTS (cont'd)

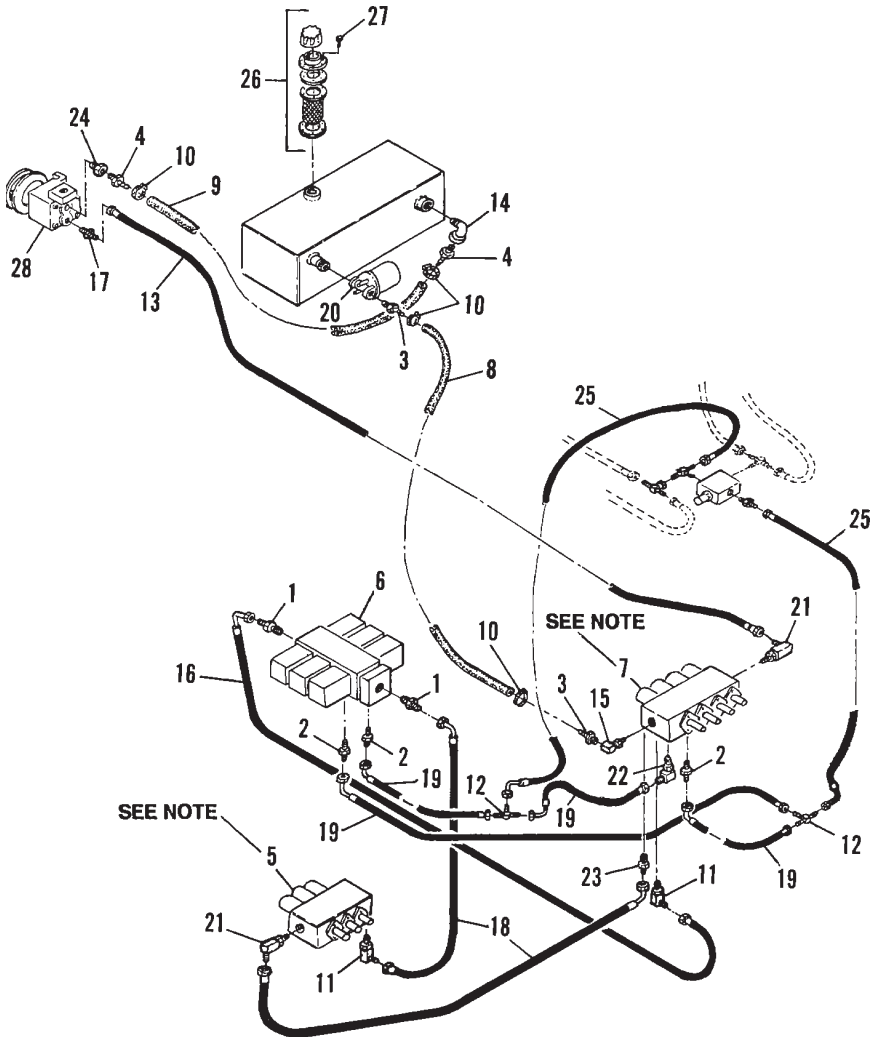
## BOOM ELEVATION & WINCH HYDRAULICS

### S03

| REF.<br>NO. | NO.<br>REQD | PART<br>NUMBER | DESCRIPTION                           |
|-------------|-------------|----------------|---------------------------------------|
| 1           | 11          | 0300044        | O-RING CONNECTOR                      |
| 2           | 3           | 0300206        | BRANCH TEE                            |
| 3           | 4           | 0300229        | ADAPTER, 90°                          |
| 4           | 2           | 0300090        | HYDRAULIC MOTOR                       |
| 5           | 4           | 0301893        | HOSE ASSEMBLY, WINCH MOTOR            |
| 6           | 4           | 0302926        | HOSE ASSEMBLY, 29"                    |
| 7           | 1           | 0301855        | MALE TEE                              |
| 8           | 1           | 0301731        | HOLDING VALVE                         |
| 9           | 1           | 0301425        | CONNECTOR, MALE                       |
| 10          | 1           | 0302573        | TEE, 6MJ-6MJ-6FJX                     |
| 11          | 4           | 0301473        | HOSE ASSEMBLY                         |
| 12          | 2           | 0302909        | HOSE ASSEMBLY, 36"                    |
| 13          | REF.        | 0302936        | WINCH ASSEMBLY, RIGHT                 |
| 14          | REF.        | 0302937        | WINCH ASSEMBLY, LEFT                  |
| 15          | 1           | 0301470        | ADAPTER, 90°                          |
| 16          | REF.        | 0302960        | VALVE, 4 SPOOL CONTROL                |
| 17          | REF.        | 0301883        | SOLENOID VALVE                        |
| 18          | 2           | 0400078        | SCREW, 1/4"-20 X 2" HEX HD CAP GR5 ZP |
| 19          | 4           | 0400196        | SCREW, 1/2"-13 X 1-1/4" SKT HD CAP    |
| 20          | 2           | 0400367        | NUT, 1/4"-20 HEX NYLOK                |
| 21          | 4           | 0400491        | LOCKWASHER, 1/2" HELICAL              |

# Section VI - PARTS (cont'd)

## PUMP & RESERVOIR HYDRAULICS



## Section VI - PARTS (cont'd)

### PUMP & RESERVOIR HYDRAULICS

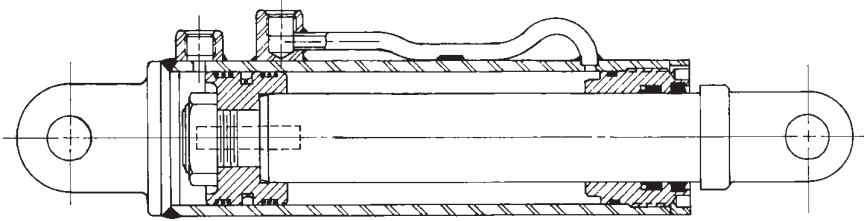
| REF.<br>NO. | NO.<br>REQD | PART<br>NUMBER | DESCRIPTION                              |
|-------------|-------------|----------------|--|
| 1           | 2           | 0300041        | O-RING CONNECTOR                         |
| 2           | 3           | 0300044        | O-RING CONNECTOR                         |
| 3           | 2           | 0300055        | HOSE BARB, 3/4"                          |
| 4           | 2           | 0300056        | HOSE BARB, 1"                            |
| 5           | 1           | 0300010        | VALVE, 3 SPOOL CONTROL                   |
| 6           | 1           | 0301883        | SOLENOID VALVE                           |
| 7           | 1           | 0302960        | VALVE, 4 SPOOL CONTROL                   |
| 8           | 30"         | 0300057        | HOSE, 3/4" RETURN                        |
| 9           | 9'          | 0300058        | HOSE, 1" SUCTION                         |
| 10          | 4           | 0300071        | HOSE CLAMP, 1"                           |
| 11          | 2           | 0300052        | O-RING ELBOW, 90°                        |
| 12          | 4           | 0300206        | BRANCH TEE                               |
| 13          | 1           | 0300660        | HOSE ASSEMBLY                            |
| 14          | 1           | 0300692        | ELBOW, STREET 1" NPT 90°                 |
| 15          | 1           | 0301375        | ELBOW, 90°                               |
| 16          | 1           | 0300787        | HOSE ASSEMBLY                            |
| 17          | 1           | 0301391        | CONNECTOR                                |
| 18          | 2           | 0301471        | HOSE ASSEMBLY                            |
| 19          | 4           | 0301473        | HOSE ASSEMBLY                            |
| 20          | 1           | 0300136        | FILTER, RETURN LINE                      |
| 21          | 2           | 0301547        | O-RING ELBOW, SAE 90°                    |
| 22          | 1           | 0301470        | ADAPTER, 90°                             |
| 23          | 1           | 0301780        | O-RING CONNECTOR                         |
| 24          | 1           | 0302108        | REDUCER BUSHING, 20MP-16FP               |
| 25          | 2           | 0302909        | HOSE ASSEMBLY, 36"                       |
| 26          | 1           | 0305006        | FILLER CAP ASSEMBLY                      |
| 27          | 6           | 0400045        | SCREW, #10-32 X 1/2" THD CUT RD HD PH SS |
| 28          | 1           | AWS-6000-M     | HYDRAULIC CLUTCH PUMP                    |

NOTE: S01 WRECKER REQUIRES TWO #5 VALVES.

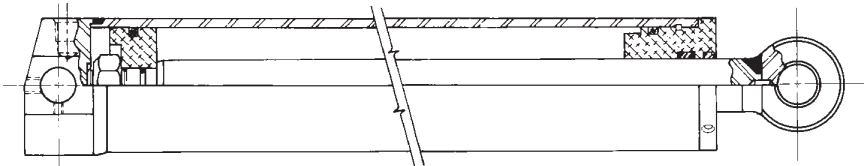
S03 WRECKER REQUIRES ONE #5 VALVE AND ONE #7 VALVE.

# Section VI - PARTS (cont'd)

## HYDRAULIC CYLINDERS



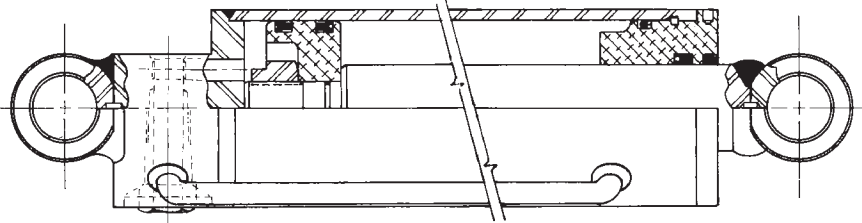
| REF. NO. | NO. REQ'D | PART NUMBER | DESCRIPTION                        |
|----------|-----------|-------------|------------------------------------|
| 1        | 2         | IT-27B      | BOOM ELEVATION CYLINDER (COMPLETE) |
| 2        | 1         | IT-97       | SEAL KIT, BOOM ELEVATION CYLINDER  |



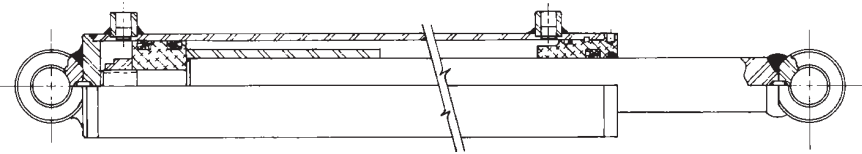
| REF. NO. | NO. REQ'D | PART NUMBER | DESCRIPTION                          |
|----------|-----------|-------------|--------------------------------------|
| 1        | 1         | 0301825     | UNDERLIFT EXTEND CYLINDER (COMPLETE) |
| 2        | 1         | 0304086     | SEAL KIT, UNDERLIFT EXTEND CYLINDER  |

# Section VI - PARTS (cont'd)

## HYDRAULIC CYLINDERS



| REF. NO. | NO. REQ'D | PART NUMBER | DESCRIPTION                        |
|----------|-----------|-------------|------------------------------------|
| 1        | 1         | 0302919     | UNDERLIFT FOLD CYLINDER (COMPLETE) |
| 2        | 1         | 0300830     | SEAL KIT, UNDERLIFT FOLD CYLINDER  |



| REF. NO. | NO. REQ'D | PART NUMBER | DESCRIPTION                     |
|----------|-----------|-------------|---------------------------------|
| 1        | 1         | 0302948     | BOOM EXTEND CYLINDER (COMPLETE) |
| 2        | 1         | 0304491     | SEAL KIT, BOOM EXTEND CYLINDER  |









Miller Industries Towing Equipment Inc.

8503 Hilltop Drive • Ooltewah, Tennessee 37363 • (423) 238-4171

[www.millerind.com](http://www.millerind.com)