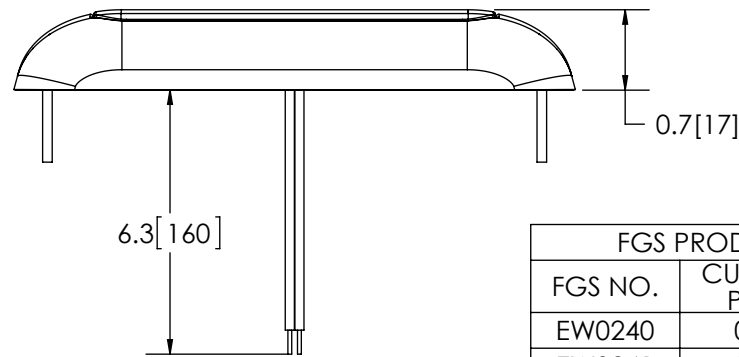
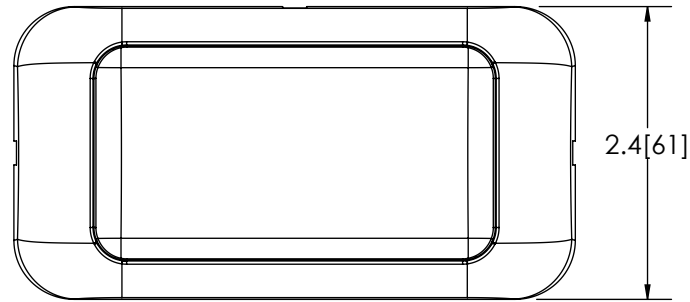


| REVISION HISTORY | | |
|------------------|-----------------------------|------------|
| REV. | DESCRIPTION | DATE |
| 07 | REVISED PER LM14240 | 2016-01-12 |
| A | INITIAL RELEASE PER LM14240 | 2016-03-07 |
| B | REVISE PER LM14240 | 2016-04-13 |

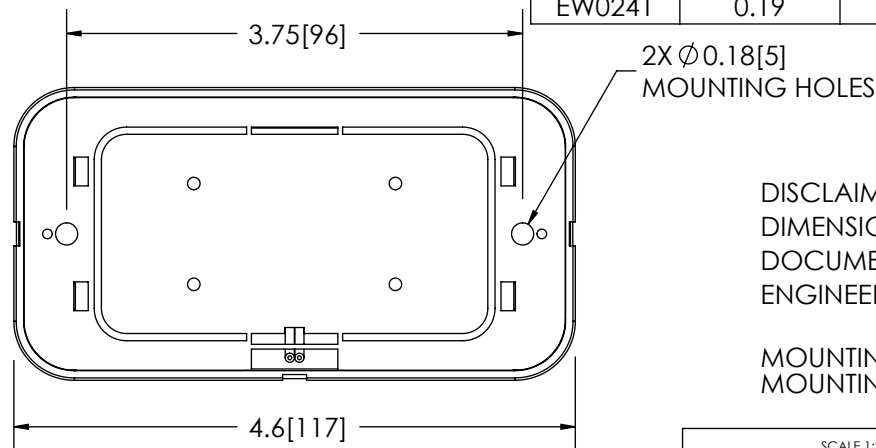
| COLOR CHART | |
|-------------|-------------|
| FGS NO. | BEZEL COLOR |
| EW0240 | WHITE |
| EW0241 | CHROME |

SPECIFICATIONS

- CERTIFICATIONS: **CE**;
 Note: Unique components, accessories, and hardware kits are not typically included in the Product Certification Test Protocols. Unless otherwise Specified, the Product Certifications referred to herein are predicated upon the base product model configuration.
- RAW LUMENS: 140 lumens
- EFFECTIVE LUMENS: 150 lumens
- ILLUMINANCE: lux
- PEAK BEAM INTENSITY: Candela
- EFFICACY: lm/W
- CORRELATED COLOR TEMPERATURE: K
- VOLTAGE (NOMINAL): 12 to 24 VDC
- VOLTAGE (EXTREME): 9 to 32 VDC
- CURRENT (PEAK): SEE CHART (@ 12VDC NOMINAL)
- POWER (MAXIMUM): SEE CHART (@ 12VDC NOMINAL)
- TEMPERATURE RANGE: -22°F (-30°C) TO 122°F (50°C)
- CONNECTION: 2 - 18 AWG WIRES
- MOUNTING: 2 BOLT
- HOUSING MATERIAL: ABS
- LENS MATERIAL:
- PRODUCT WEIGHT: 0.12 LBS (0.05 Kg)



| FGS PRODUCT CHART | | |
|-------------------|--------------|-----------|
| FGS NO. | CURRENT PEAK | MAX POWER |
| EW0240 | 0.02 | 0.24 |
| EW0241 | 0.19 | 2.41 |




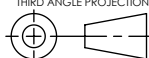
DISCLAIMER

DIMENSIONS, ILLUSTRATIONS, SPECIFICATIONS AND CERTIFICATIONS CONTAINED IN THIS DOCUMENT ARE TYPICAL OF THE ACTUAL PRODUCT AND ARE SUBJECT TO CHANGE. ECCO ENGINEERING DOES NOT MAINTAIN FORMAL DESIGN CONTROL OF THIS PRODUCT.

MOUNTING DISCLAIMER:

MOUNTING MEASUREMENT IS FOR REFERENCE ONLY. MEASURE BEFORE DRILLING

- NOTES:
- FOR INTERIOR USE ONLY
 - ROHS COMPLIANT
 - DIMENSIONS IN INCHES [MILLIMETERS (FOR REFERENCE)]

| SCALE 1:32 | | APPROVALS | DATE |  www.eccolink.com Americas (800) 635-5900 Europe +44 (0)113 237 5340 Asia Pacific +61 (0)3 63322444 |
|--|--|--|-----------------|--|
| CAD GENERATED DRAWING DO NOT MANUALLY UPDATE. MODEL REFERENCED:01 | | DRAWN BY: ABB | 2016-04-11 | |
| TOLERANCES ARE IN INCHES AND MILLIMETERS TOLERANCES UNLESS OTHERWISE STATED ARE: | | CHECKED: ABD | 2016-04-12 | |
| MILLIMETERS DECIMALS XX ± 1.0mm XX.X ± 0.5mm | | MECH. ENG.: JLA | 2016-04-11 | |
| INCHES DECIMALS X.X ± 0.1 X.XX ± 0.04 X.XXX ± 0.02 | | ELEC. ENG.: TJT | 2016-04-11 | |
| ANGLES ± 0.5° FRACTIONS ± 1/64 | | TEST ENG.: JRT | 2016-04-12 | |
| THIRD ANGLE PROJECTION | | SALES: DMV | 2016-04-13 | |
|  | | CUSTOMER PART NO. SEE CHART | | PRODUCT SERIES: |
| NON DISCLOSURE AGREEMENT | | SIZE: A | DWG. NO. EW024X | REV. B |
| <small>THIS DRAWING AND THE DESIGN IT DISCLOSES ARE THE PRIVATE PROPERTY OF ESG AND IS ISSUED IN CONFIDENCE FOR ENGINEERING INFORMATION ONLY. THE DRAWING AND / OR DESIGN MAY NOT BE USED, COPIED, REPRODUCED, OR OTHERWISE DISCLOSED IN PART OR AS A WHOLE TO OUTSIDERS OR USED FOR ANY OTHER PURPOSE WITHOUT THE PRIOR WRITTEN CONSENT OF ESG. THE DRAWING IS SUBJECT TO RECALL AT ANY TIME. YOUR POSSESSION OF THIS DOCUMENT CONSTITUTES ACCEPTANCE OF THESE TERMS. © 2015 ECCO</small> | | Electronically Controlled Use Latest Copy SHEET 1 OF 1 Project: LM14240 Date Created: 2015-11-12 | | |