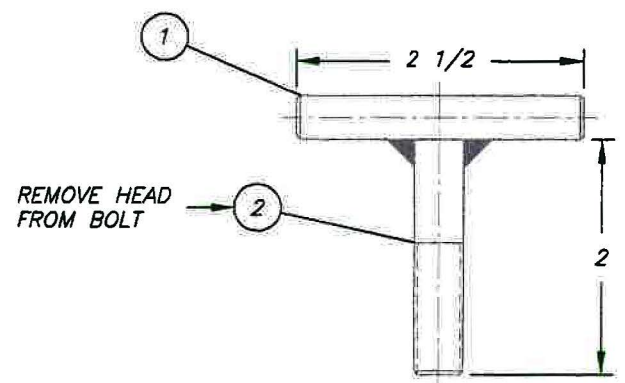


REV.	ECR NO.	BY	DATE	DESC. OF CHANGE
------	---------	----	------	-----------------



2	BOLT	1	7/16-14 UNC X 2 LG, REMOVE HEAD		
1	RD. BAR	1	Ø3/8 X 2 1/2 LG, A-36		
ITEM	MATERIAL	QTY.	DESCRIPTION		
<b>TOLERANCES: UNLESS OTHERWISE SPECIFIED</b>  FRACTIONAL: ±1/16 DECIMAL: ±.015 ANGULAR: ±1°			<b>L &amp; R MANUFACTURING, LLC</b> 2498 IA Hwy 24 - New Hampton, IA 50659  THIS PRINT IS THE PROPERTY OF L&R MANUFACTURING LLC AND IS CONFIDENTIAL, AND NOT TO BE COPIED OR REPRODUCED WITHOUT OUR EXPRESS WRITTEN PERMISSION AND TO BE RETURNED UPON REQUEST UNLESS OTHERWISE SPECIFIED.		
<b>DO NOT SCALE DRAWING</b>					
DESC: T-Handle Bolt					
SCALE:	1/8	MATL:	SWT:	OF:	REV:
DWG BY:	JGP	DATE:	4/30/14	DWG NO:	SIZE:
CHK BY:		DATE:		ZP-CBSH-HANDLE	A