



MODEL 6002B

OPERATOR'S MANUAL

IMPORTANT SAFETY INSTRUCTIONS

1. **SAVE THESE INSTRUCTIONS.** This manual contains important safety and operating instructions for the battery charger you have purchased. You may need to refer to these instructions at a later date.
2. **CAUTION.** To reduce risk of injury, charge only wet cell, lead-acid, automotive type rechargeable batteries. Other types of batteries may burst causing personal injury and property damage.
3. Do not expose the charger to rain or snow if specifically warned on the unit not to do so.
4. Use of an attachment not recommended or sold by the battery charger manufacturer may result in a risk of fire, electric shock, or injury to persons.
5. To reduce the risk of damage to the electric plug and cord, pull by the plug rather than the cord when disconnecting the charger.
6. Make sure the cord is located so that it will not be stepped on, tripped over, or otherwise subjected to damage or stress.
7. An extension cord should not be used unless absolutely necessary. Use of an improper extension cord could result in a risk of fire and electric shock. If an extension cord must be used, make sure:
 - a. That the pins on the plug of extension cord are the same number, size, and shape as those of the plug on the charger;
 - b. That the extension cord is properly wired and in good condition; and
 - c. If the length of the extension cord is less than 25 feet, use a 16AWG cord, If 50 feet- 12AWG, 100 feet-10AWG, 150 feet-8AWG.
8. Do not operate the charger with a damaged cord or plug, replace them immediately.
9. Do not operate the charger if it has received a sharp blow, been dropped, or otherwise damaged in any way; take it to a qualified serviceman.
10. Do not disassemble the charger unless you are qualified to work on electrical products. If not, take it to a qualified serviceman when service or repair is required. Incorrect reassembly may result in risk of electric shock or fire.
11. To reduce the risk of electric shock, unplug the charger from the outlet before attempting any maintenance or cleaning. Turning off the controls will not reduce this risk.
12. **WARNING - RISK OF EXPLOSIVE GASES**
 - a. **WORKING IN VICINITY OF A LEAD-ACID BATTERY IS DANGEROUS. BATTERIES GENERATE EXPLOSIVE GASES DURING NORMAL BATTERY OPERATION. FOR THIS REASON IT IS OF UTMOST IMPORTANCE THAT EACH TIME BEFORE USING YOUR CHARGER, YOU READ THIS MANUAL AND FOLLOW THE INSTRUCTIONS EXACTLY.**
 - b. To reduce the risk of battery explosion, follow these instructions and those published by the battery manufacturer and manufacturer of any equipment you intend to use in vicinity of the battery. Review cautionary markings on these products and on the engine.
13. **PERSONAL PRECAUTIONS**
 - a. Someone should be within range of your voice or close enough to come to your aid when you work near a lead-acid battery.
 - b. Have plenty of fresh water and soap nearby in case battery acid contacts skin, clothing, or eyes.
 - c. Wear complete eye protection, and clothing protection. Avoid touching eyes while working near battery.
 - d. If battery acid contacts skin or clothing, wash immediately with soap and water. If acid enter eyes, immediately flood eyes with running cold water for at least 10 minutes and get medical attention immediately.
 - e. NEVER smoke or allow a spark or flame in vicinity of the battery or engine.
 - f. Be extra cautious to reduce risk of dropping a metal tool onto the battery. It might spark or short-circuit the battery or other electrical parts that may cause an explosion.
 - g. Remove personal metal items such as rings, bracelets, necklaces, and watches when working with a lead-acid battery. A lead-acid battery can produce a short circuit current high enough to weld a ring or the like to metal, causing a severe burn.
 - h. Use this charger for charging a LEAD-ACID battery only. It is not intended to supply power to a low-voltage electrical system other than in an automotive application. Do not use this battery charger for charging dry-cell batteries that are commonly used with home appliances. These batteries may burst and cause injury to persons and damage to property.
 - i. NEVER charge a frozen battery.
14. **PREPARING TO CHARGE**
 - a. If necessary to remove battery from vehicle to charge, always remove the grounded terminal from the battery first. Make sure all accessories in the vehicle are off, so as not to cause an arc.
 - b. Be sure the area around the battery is well ventilated while the battery is being charged. Gas can be forcefully blown away by using a piece of cardboard or other non-metallic material as a fan.
 - c. Clean the battery terminals. Be careful to keep corrosion from coming in contact with eyes.
 - d. Add distilled water in each cell until battery acid reaches level specified by the battery manufacturer. This helps purge excessive gas from cells. Do not overfill. For a battery without cell caps, carefully follow the manufacturer's recharging instructions.
 - e. Study all battery manufacturer's specific precautions such as removing or not removing the cell caps while charging and the recommended rates of charge.
 - f. Determine voltage of the battery by referring to the car owner's manual and make sure that the output voltage selector switch is set at the correct voltage. If the charger has adjustable charge rate, charge the battery initially at the lowest rate.

15. CHARGER LOCATION

- Locate the charger as far away from the battery as the DC cables permit.
- Never place the charger directly above the battery being charged; gases from the battery will corrode and damage the charger.
- Never allow battery acid to drop on the charger when reading the specific gravity or filling battery.
- Do not operate the charger in a closed-in area, or restrict ventilation in any way.
- Do not set a battery on top of the charger.

16. DC CONNECTION PRECAUTIONS

- Connect and disconnect the DC output clamps only after setting the charger switches to the OFF position and removing the AC cord from the electric outlet. Never allow the clamps to touch each other.
- Attach the DC clamps to the battery post and twist or rock back and forth several times to make a good connection. This tends to keep the clamps from slipping off the terminals and helps to reduce the risk of sparking.

17. STOP/GO LITE INSTRUCTIONS

When used properly, the STOP/GO LITE will indicate whether clamp connections will be correct.

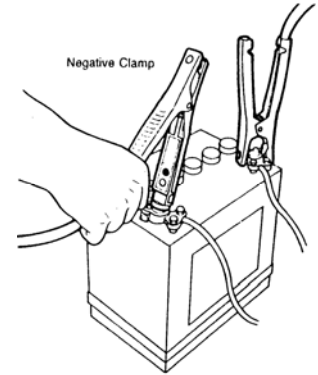
Connect the positive (red) clamp to the positive (POS, P, +) battery post. Touch the contact button of the negative (black) clamp to the other battery post. Observe the L.E.D. lights in the STOP/GO LITE:

GREEN LIGHT: The first connection is correct. Make the second clamp connection per instructions.

RED LIGHT: The first connection made with the positive clamp to the battery is incorrect. Attach the positive clamp to the other battery post and retest.

RED AND GREEN LIGHT: The battery charger is turned on. Turn the charger "OFF" and retest.

NO LIGHT: Check for a shorted or open battery. Clean any corrosion from the clamp jaws and the battery post and retest. If still no light, use a voltmeter or other means to make certain you have properly identified the polarity of the battery post. Then attach the clamps per instructions, disregarding the STOP/GO LITE.



18. FOLLOW THESE STEPS WHEN THE BATTERY IS INSTALLED IN A VEHICLE. A SPARK NEAR THE BATTERY MAY CAUSE BATTERY EXPLOSION. TO REDUCE THE RISK OF A SPARK NEAR THE BATTERY:

- Read the section "STOP/GO LITE INSTRUCTIONS" before proceeding.
- Position the AC and DC cords to reduce the risk of damage by the hood, door, or moving engine parts.
- Stay clear of fan blades, belts, pulleys, and other parts that can cause injury to persons.
- Check the polarity of the battery post. The POSITIVE (POS, P, +) battery post usually has a larger diameter than the NEGATIVE (NEG, N, -) post.
- Determine which post of the battery is grounded (connected) to the chassis. If the negative post is grounded to the chassis (as in most vehicles), see item "f". If the positive post is grounded to the chassis, see item "g".
- For negative-grounded vehicles, connect the POSITIVE (RED) clamp from the battery charger to the POSITIVE (POS, P, +) ungrounded post of the battery. Touch the contact button of the STOP/GO LITE to the NEGATIVE (NEG, N, -) battery post. Interpret the light and take appropriate action. When the green light is on, connect the NEGATIVE (BLACK) clamp to the vehicle chassis, heavy gauge metal part of the frame, or engine block, away from the battery. Do not connect clamp to the carburetor, fuel lines, or sheet metal body parts.
- For positive-grounded vehicles, connect the POSITIVE (RED) clamp from the battery charger to the POSITIVE (POS, P, +) battery post. Touch the contact button of the STOP/GO LITE to the NEGATIVE (NEG, N, -) battery post. Interpret the light and take appropriate action. When the green light is on, disconnect the POSITIVE (RED) clamp from the battery. Attach the NEGATIVE (BLACK) clamp from the battery charger to the NEGATIVE (NEG, N, -) ungrounded post of the battery. Attach the POSITIVE (RED) clamp to the vehicle chassis or engine away from the battery. Do not connect the clamp to the carburetor, fuel lines, or sheet-metal body parts. Connect to a heavy gauge metal part of the frame or engine block.
- When disconnecting the charger, turn the switches to OFF, disconnect the AC cord, remove the clamp from the vehicle chassis, and then remove the clamp from the battery terminal.
- See the operating instructions for length of charge information.

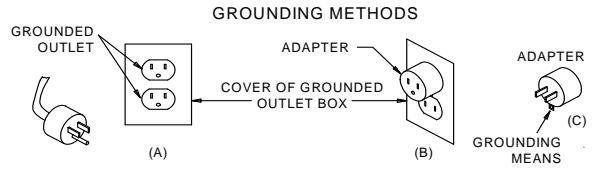
19. FOLLOW THESE STEPS WHEN THE BATTERY IS OUTSIDE THE VEHICLE. A SPARK NEAR THE BATTERY MAY CAUSE BATTERY EXPLOSION. TO REDUCE THE RISK OF A SPARK NEAR THE BATTERY:

- Read section "STOP/GO LITE INSTRUCTIONS" before proceeding.
- Check the polarity of the battery post. The POSITIVE (POS, P, +) battery post usually has a larger diameter than the NEGATIVE (NEG, N, -) post.
- Attach at least a 24 inch long 6-gauge (AWG) insulated battery cable to the NEGATIVE (NEG, N, -) battery post.
- Connect the POSITIVE (RED) charger clamp to the POSITIVE (POS, P, +) post of the battery.
- Touch the contact button of the STOP/GO LITE to the free end of the battery cable. If the red light comes on, reverse the connections to the battery and retest. When the green light comes on, position yourself and the free end of the cable as far away from the battery as possible, then connect the NEGATIVE (BLACK) charger clamp to the free end of cable.
- Do not face the battery when making the final connection.
- When disconnecting the charger, always do so in reverse sequence of connecting procedure, and break the first connection while standing as far away from the battery as practical.
- A marine (boat) battery must be removed and charged on shore. To charge it on board requires equipment specially designed for marine use.

20. GROUNDING AND AC POWER CORD CONNECTION INSTRUCTIONS

The charger should be grounded to reduce the risk of electric shock. This charger is equipped with an electric cord having an equipment grounding conductor and a grounding plug. The plug must be plugged into an outlet that is properly installed and grounded in accordance with all local codes and ordinances.

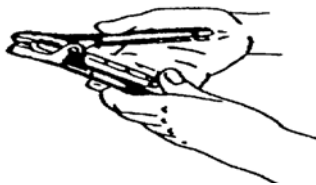
DANGER. Never alter the AC cord or plug provided - if it will not fit the outlet, have a proper outlet installed by a qualified electrician. Improper connection can result in a risk of an electric shock. This battery charger is for use on a nominal 120-volt circuit, and has a grounding plug that looks like the plug illustrated in FIGURE (A). A temporary adapter, which looks like the adapter illustrated in FIGURE (C), may be used to connect this plug to a two-pole receptacle, as shown in FIGURE (B), until a properly grounded outlet can be installed by a qualified electrician.



DANGER: Before using an adapter as illustrated, be certain that the center screw of the outlet plate is grounded. The green-colored rigid ear or lug extending from the adapter must be connected to a properly grounded outlet - make certain it is grounded. If necessary, replace the original outlet cover plate screw with a longer screw that will secure the adapter ear or lug to the outlet cover plate and make ground connection to grounded outlet.

NOTE: USE OF AN ADAPTER IS NOT ALLOWED IN CANADA. IF A GROUNDING TYPE RECEPTACLE IS NOT AVAILABLE, DO NOT USE THIS APPLIANCE UNTIL THE PROPER OUTLET IS INSTALLED BY A QUALIFIED ELECTRICIAN.

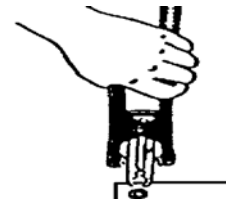
21. NOTE: SIDE TERMINAL TO BE USED IN POSITIVE CLAMP ONLY! For instructions for NEGATIVE clamp attachment refer to section 18f or 18g.



Storage position
Will not get lost. Always ready to use.



Extended position
Note: Pressure, when handle is squeezed, holds adapter firm. Will not slip back.



Thrust on terminal
Note: Clamp is released and spring tension holds adapter firm.

22. LENGTH OF CHARGE

- a. Test the battery for state of charge. Do not charge if it is over 75% charged or the battery is determined to be defective.
- b. Set beginning amps charge rate for size of battery and state of charge per charts
- c. Charge for length of time per charge,
- d. Discontinue charge when the specific gravity of electrolyte reaches 1.260 or above. A temperature compensating hydrometer should be used for this reading. Discontinue charge if the battery begins to gas excessively or if the temperature of the electrolyte reaches approximately 125°F. Do not overcharge batteries. Overcharging results in excessive water loss and eventual damage to the battery.

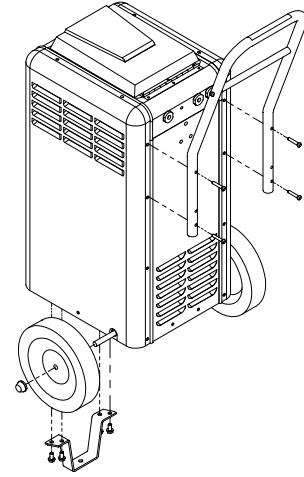
BATTERY SIZE TABLE			
BATTERY SIZE	SMALL	MEDIUM	LARGE
Ampere Hours	40	60	80+
Reserve Capacity	60	90	100+
Cold Cranking Amps	275	350	400+

STATE OF CHARGE TABLE				
STATE OF CHARGE	75%	50%	25%	DEAD
Specific Gravity	1.225	1.185	1.140	1.110
Open Circuit Voltage 6V	6.2	6.05	5.95	5.9
Open Circuit Voltage 12V	12.4	12.1	11.9	11.8
Open Circuit Voltage 24V	24.8	24.2	23.8	23.6

CHARGE RATE Vs. MINUTES CHARGE							
BATTERY SIZE	%CHARGE	MINUTES					
		15	30	45	60	75	90
SMALL	0-25%	45	30	30	25	25	20
	25-50%	30	20	20	15	15	10
	50-75%	15	10	10	10	5	5
MEDIUM	0-25%	70	50	45	40	35	30
	25-50%	45	30	25	20	20	20
	50-75%	25	15	15	10	10	10
LARGE	0-25%	90	55	55	50	45	45
	25-50%	60	40	35	30	30	30
	50-75%	30	20	20	15	15	15

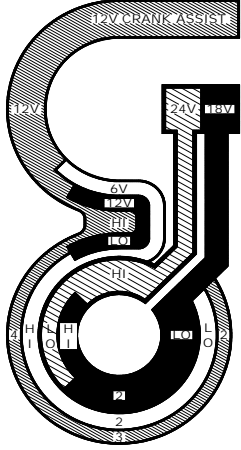
ASSEMBLY INSTRUCTIONS

Attach the handle to the charger using the four screws provided. Attach the front leg to the base with the four hex head screws provided. To attach wheels and axle to the base, tap one axle nut onto the axle with a hammer, slide one wheel onto the axle. Push the axle through the base, place wheel on opposite side. Tap axle nut onto the axle with a hammer.



OPERATING INSTRUCTIONS

CAUTION - This battery charger must be fully assembled before operating. Failure to do so may result in risk of injury.



VOLTS/AMPS CHARGE

USE OF INSTRUMENT PANEL:

The MINUTES CHARGE timer has an OFF position, a CONTINUOUS CHARGE position and a timed charge range from 0 to 120 minutes.

a. OFF - Always make sure the timer is in the OFF position before connecting or disconnecting the clamps from the battery. The charger will not charge with the timer in this position.

b. CONTINUOUS CHARGE - This position is used for slow charging or parallel charging and will not turn the charger off. Do not use this position for fast charging.

c. 0 to 120 MINUTES TIMED CHARGE - The timer will automatically turn the charger off at the end of the pre-set charging time. Turn the timer past 20 before setting the desired time.

d. VOLTS/AMPS CHARGE SWITCHES - These switches are used to regulate the output voltage and current of the battery charger.

TO CHARGE BATTERIES

Make connections to the battery per the instructions in preceding section of this manual. Determine the battery voltage and set initial charge rate settings per chart. Turn the timer on. If a higher rate of charge is desired, turn the AMPS CHARGE switch to the appropriate 2, 3, 4 or HI position. Always return the AMPS CHARGE switch to the LO position before advancing the VOLTS CHARGE switch.

ATTENTION: When charging an AGM battery the charge should be terminated between 14.7V to 15.0V, always follow battery manufacture instructions.

12V CRANKING ASSIST AND BOOST STARTING

Turn off all lights and accessories in the vehicle.

Connect the charger to battery per previous instructions. Charge the battery at least five minutes. Make sure the battery is accepting current before setting charger to crank assist. Always start on the lowest amperage crank setting. Put the switch in the "12V CRANK ASSIST" position. Start the car with the charger connected to the battery. Follow the duty cycle on the unit. Turn the switch to OFF and remove the AC power cord from the electric outlet before disconnecting the DC clamps.

DIESEL VEHICLES

Diesel engines have special starting requirements due to the high compression required to ignite the fuel mixture. Because of this, the starter motors have to work harder which requires the battery to deliver a large amount of power for a period of time. Adequate voltage must be supplied also to insure the glow plug will have enough power to preheat the chamber. When attempting to start a diesel vehicle, always fast charge the battery at least five minutes. If time permits, charge the battery as long as possible or until the battery reaches 75% state of charge. Make sure the battery is accepting current before setting charger to crank assist. Always start on the lowest amperage crank setting. With the charger "ON" and attached to the battery, attempt to start the vehicle. Do not crank the engine more than 20 seconds in a five-minute period. While allowing the starter to cool, allow the charger to continue to charge the battery.

If the vehicle has two batteries installed, read the "VEHICLES WITH TWO BATTERIES" section of this manual.

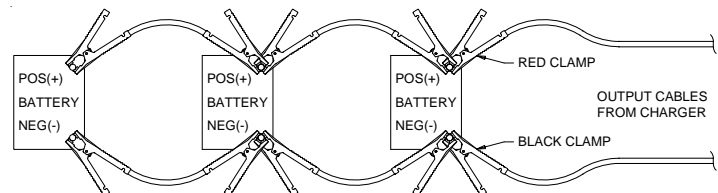
VEHICLES WITH TWO BATTERIES

Many diesel vehicles and service vehicles are equipped with two batteries. This is to provide the vehicle with greater starting power capacity or longer reserve capacity to provide power for accessories. These batteries are wired into a parallel circuit. Because of this, it will take twice as long to charge these batteries as indicated in the LENGTH OF CHARGE table. If one battery is charged and the other discharged, the discharged battery should be removed from the vehicle and checked. When attaching the charger to this type of vehicle the charger should be attached to the battery which is wired closest to the starter. This allows the charger to provide maximum starting power to the starter motor by minimizing the voltage drop in the engine cables.

PARALLEL CHARGING

This charger may be used to parallel charge up to 10 batteries with a bus bar kit, or by using a minimum 6AWG gauge booster cables to connect the batteries together in parallel.

CAUTION: Do not connect 6 and 12 volt batteries in parallel with each other.



CHARGING SULFATED BATTERIES

If your battery has sat in the discharged state for an extended period of time, it can become SULFATED. This usually is seen as a white deposit near the top of the battery. The sulfate is formed when a battery with low water levels remains discharged for an extended time. Sulfated batteries exhibit the characteristic of accepting no charge regardless of the rate of charge.

The charging method is two staged. The first stage of attempting to break down the sulfation to allow the battery to accept a charge must be closely watched to avoid excessive charge rates as the battery begins to charge and overheat. The second stage is a slow charging to restore the battery to full charge.

READ AND FOLLOW ALL PRECAUTIONS AND WARNINGS IN YOUR INSTRUCTION MANUAL BEFORE ATTEMPTING TO CHARGE SULFATED BATTERIES. FAILURE TO OBSERVE THESE WARNINGS MAY RESULT IN PROPERTY DAMAGE OR SERIOUS PERSONAL INJURY OR DEATH.

To recharge a sulfated battery:

1. Attach the battery clamps as described in the instruction manual.
2. Always use the charger's lowest rate when turning the charger on. Set the charger to the charger's highest rate for the voltage of the battery being charged.

CAUTION: NEVER CHARGE A BATTERY AT VOLTAGE RATES ABOVE THAT OF THE BATTERY.

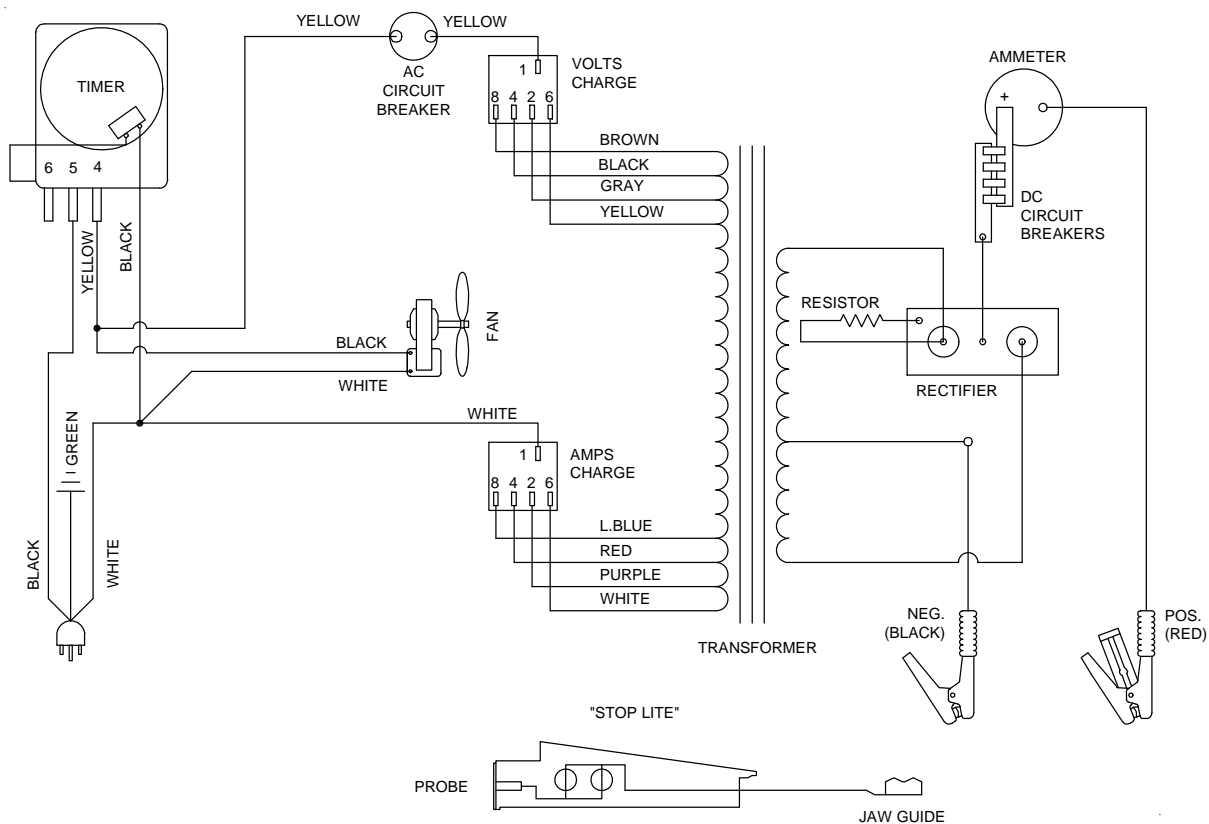
3. The battery will show little or no amperage at the start of the charging process. This will continue until the sulfation begins to break down.

CAUTION: AS THE SULFATION BREAKS DOWN, THE AMPERAGE MAY RAPIDLY RISE. CONSTANT ATTENTION MUST BE OBSERVED TO PREVENT SERIOUS OVERHEATING OF THE BATTERY.

4. Lower the charge rate to the lowest rate for the voltage of battery being charged.
5. Charge the battery at this low rate until the electrolyte reaches the fully charged state as described in the tables in your instruction manual. This may take as long as two or three days.

NOTE: SOME BATTERIES MAY BE SO BADLY SULFATED THEY CAN NOT BE RESTORED TO A NORMAL OPERATING CONDITION, REGARDLESS OF THE RATE OF CHARGE OR THE LENGTH OF TIME THE CHARGE IS APPLIED. IF THE BATTERY CANNOT BE RESTORED TO A FULLY CHARGED CONDITION BY A SLOW CHARGING, IT SHOULD BE REPLACED.

WIRING DIAGRAM



MAINTENANCE INSTRUCTIONS

Worn clamps and jaws should be replaced. Worn parts can lead to poor connections and present a safety hazard. See parts list for part number of jaw and clamp kits. Any Maintenance or repair of this unit that involves disassembly of the cabinet should be done only by a qualified serviceman. Incorrect reassembly may result in a risk of electric shock when the unit is subsequently used.



MODÈLE 6002B

MANUEL D'UTILISATION

INSTRUCTIONS DE SÉCURITÉ IMPORTANTES

1. **CONSERVER CES INSTRUCTIONS.** Le présent manuel contient des instructions de sécurité et d'utilisation importantes pour l'utilisation du chargeur de batterie que vous avez acheté et qui pourront se révéler utiles ultérieurement.
2. **AVERTISSEMENT** - Afin de réduire le risque de blessures, ne charger que des batteries au plomb rechargeables (6 cellules peu importe l'ampérage). Tout autre type de batterie peut exploser, causant des blessures corporelles et des dégâts matériels.
3. Ne pas exposer le chargeur à la pluie ou à la neige.
4. L'utilisation d'un accessoire non recommandé ou non vendu par le fabricant du chargeur de batterie peut être la cause d'incendies, d'électrocutions ou de blessures corporelles.
5. Afin de réduire les risques de dommages à la fiche électrique ou au cordon d'alimentation, débrancher le chargeur en tirant sur la fiche et non sur le cordon.
6. S'assurer que le cordon d'alimentation est placé de sorte qu'il ne puisse être écrasé, accroché ou soumis à toute autre forme de dommages ou de contraintes.
7. N'utiliser de rallonge électrique que si absolument nécessaire. L'utilisation d'une rallonge inadéquate peut être la cause d'incendies ou d'électrocutions. Si l'utilisation d'une rallonge est absolument nécessaire, s'assurer que:
 - a. les tiges de la fiche de la rallonge sont des mêmes dimension, forme et nombre que celles de la fiche du cordon d'alimentation;
 - b. la rallonge électrique est en bon état et que son câblage est adéquat; et
 - c. Si le longueur du cordon prolongateur est moins de 25 pieds, utilisez un cordon - 16AWG, 50 pieds - 12AWG, 100 pieds - 10AWG, 150 pieds - 8AWG.
8. Ne pas faire fonctionner le chargeur si le cordon ou la fiche ont été endommagés - les remplacer immédiatement.
9. Ne pas faire fonctionner le chargeur s'il a été heurté violemment, échappé ou endommagé de quelque façon que ce soit; l'apporter à un technicien qualifié.
10. Ne pas démonter le chargeur; l'apporter à un technicien qualifié lorsqu'on doit en effectuer l'entretien ou la réparation. Un remontage inadéquat peut être la cause d'électrocutions ou d'incendies.
11. Pour réduire les risques d'électrocutions, débrancher le chargeur avant d'entreprendre tout type d'entretien ou de nettoyage. Le fait d'arrêter les commandes ne réduit pas ces risques.
12. **AVERTISSEMENT - DANGER D'UN GAZ EXPLOSIFS**
 - a. **IL EST DANGEREUX DE TRAVAILLER PRÈS D'UNE BATTERIE AU PLOMB EN RAISON DES GAZ EXPLOSIFS PRODUITS LORS DU FONCTIONNEMENT NORMAL DE LA BATTERIE. POUR CETTE RAISON, IL EST DE LA PLUS HAUTE IMPORTANCE DE LIRE SOIGNEUSEMENT ET D'OBSERVER LES INSTRUCTIONS DU PRÉSENT MANUEL AVANT TOUTE UTILISATION DU CHARGEUR.**
 - b. Pour réduire les risques d'explosion de la batterie, suivre les présentes instructions et celles du fabricant de la batterie ou de tout autre équipement devant être utilisé près d'une batterie. Revoir les avertissements indiqués sur ces produits et sur le moteur.
13. **PRÉCAUTIONS PERSONNELLES**
 - a. S'assurer que quelqu'un est à portée de voix ou suffisamment près pour prêter assistance lorsqu'on travaille près d'une batterie au plomb.
 - b. Avoir à la portée de la main une réserve suffisante d'eau fraîche et du savon au cas où l'acide de la batterie entrerait en contact avec la peau, les vêtements ou les yeux.
 - c. Porter des lunettes de sécurité et des vêtements de protection. Éviter de se toucher les yeux lorsqu'on travaille à proximité d'une batterie.
 - d. Si la peau ou les vêtements entrent en contact avec l'acide de la batterie, les laver immédiatement à l'eau et au savon. Si l'acide pénètre dans les yeux, les rincer immédiatement à l'eau courante froide pendant au moins 10 minutes et appeler immédiatement un médecin.
 - e. **NE JAMAIS** fumer ni provoquer d'étincelles ou flammes à proximité de la batterie ou du moteur.
 - f. Faire bien attention de ne pas échapper d'outil métallique sur la batterie. Cela pourrait provoquer une étincelle ou encore court-circuiter la batterie ou d'autres pièces électriques pouvant provoquer une explosion.
 - g. Enlever tout objet métallique personnel comme les bagues, bracelets, colliers et montres avant de travailler avec une batterie au plomb.
 - h. N'utiliser le chargeur que pour recharger une batterie **AU PLOMB**. Il n'est pas conçu pour alimenter les systèmes électriques à faible tension autres que ceux s'appliquant aux automobiles. Ne pas utiliser le chargeur pour recharger des piles sèches normalement utilisées pour les appareils électroménagers. Ces piles peuvent exploser et causer des blessures et des dommages matériels.
 - i. **NE JAMAIS** charger une batterie gelée.
14. **PRÉPARATION DE LA CHARGE**
 - a. S'il est nécessaire de retirer la batterie du véhicule pour la charger, toujours retirer en premier la borne mise à la masse. S'assurer que tous les accessoires dans le véhicule sont arrêtés afin de pas causer d'arc.
 - b. S'assurer de la bonne ventilation des lieux lors de la charge de la batterie. On peut dissiper les gaz en utilisant comme éventail un morceau de carton ou un article non métallique
 - c. Nettoyer les bornes de la batterie. Faire bien attention que les yeux n'entrent pas en contact avec les matières corrodées.
 - d. Ajouter de l'eau distillée dans chacune des cellules de la batterie, jusqu'à ce que le niveau d'acide dans la batterie atteigne celui qui est spécifié par le fabricant. Cela facilite la purge de gaz excédentaires des cellules. Ne pas dépasser le niveau spécifié. Suivre attentivement les instructions de charge du fabricant pour les batteries qui n'ont pas de bouchons de cellules.
 - e. Étudier toutes les précautions spécifiques du fabricant de la batterie tels celles qui concernent le retrait ou non des bouchons de cellules lors de la charge, ou encore le régime de charge recommandé.
 - f. Déterminer la tension de la batterie en se référant au manuel du véhicule et s'assurer que le sélecteur de tension de sortie du chargeur est réglé à la bonne tension. Si le chargeur offre un régime de charge réglable, charger initialement la batterie au régime de charge le plus faible.

15. EMPLACEMENT DU CHARGEUR

- Installer le chargeur aussi loin de la batterie que les câbles c.c. le permettent.
- Ne jamais placer le chargeur directement au-dessus d'une batterie pendant la charge; les gaz s'échappant de la batterie peuvent corroder et endommager le chargeur.
- Ne jamais laisser l'acide de la batterie s'égoutter sur le chargeur pendant la lecture de densité ou le remplissage de la batterie.
- Ne pas utiliser le chargeur dans une endroit fermé ou mal ventilé en aucune circonstance.
- Ne pas placer la batterie sur le chargeur.

16. PRÉCAUTIONS RELATIVES AUX CONNEXIONS c.c.

- Brancher et débrancher les pinces de sortie c.c. seulement après avoir mis tous les interrupteurs du chargeur à la position d'arrêt et débranché le cordon d'alimentation c.a. de la prise de courant. Ne jamais les pinces se toucher.
- Brancher les pinces aux bornes de la batterie puis faire pivoter ou basculer la pince d'avant en arrière plusieurs fois pour obtenir un bon contact afin d'empêcher les pinces de plisser de même que pour réduire le risque d'étincelles.

17. INSTRUCTIONS RELATIVES AU VOYANT ARRÊT/MARCHE

Lors d'une utilisation correcte, le voyant ARRÊT/MARCHE indiquera le bon branchement des pinces. Brancher la pince positive (ROUGE) à la borne positive (POS, P, +) de la batterie. Mettre le bouton de contact de la pince négative (NOIRE) en contact avec l'autre borne de la batterie. Observer les voyants DEL au voyant ARRÊT/MARCHE.

VOYANT VERT: La première connexion est bonne. Brancher la deuxième pince selon les instructions.

VOYANT ROUGE: La première connexion est mauvaise. Débrancher la pince positive rouge, la brancher à l'autre borne de la batterie et refaire l'essai.

VOYANT ROUGE ET VERT: Le chargeur de batterie est en marche. Le mettre sur "O" et refaire un essai.

AUCUN VOYANT NE S'ALLUME: Vérifier s'il y a un court circuit ou un circuit ouvert à la batterie.

Enlever toute corrosion déposée sur les mâchoires des pinces et sur les bornes de la batterie. Refaire un essai. Si aucun voyant ne s'allume, utiliser un voltmètre ou autre moyen de mesure afin de s'assurer de la correcte identification des polarités des bornes de la batterie. Brancher ensuite les pinces selon les instructions sans faire attention au voyant ARRÊT/MARCHE.



18. RESPECTER LES ÉTAPES SUIVANTES LORSQUE LA BATTERIE SE TROUVE À L'INTÉRIEUR DU VÉHICULE. UNE ÉTINCELLE À PROXIMITÉ DE LA BATTERIE PEUT LA FAIRE EXPLOSER. POUR RÉDUIRE LE RISQUE D'ÉTINCELLES PRÈS DE LA BATTERIE, IL FAUT :

- Positionner les cordons c.c. et c.a. de façon à réduire les risques de dommages pouvant être causés par le capot, les portières, ou des pièces mobiles du moteur.
- Se tenir à distance des pales de ventilateur, courroies, poulies et autres pièces pouvant causer des blessures corporelles.
- Vérifier la polarité des bornes de la batterie. En général, la borne positive (POS, P, +) a un diamètre plus grand que celui de la borne négative (NEG, N, -).
- Déterminer quelle borne est mise à la masse (reliée au châssis). Si la borne négative est mise à la masse au châssis (comme dans la plupart des véhicules) voir l'article (e). Si la borne positive est mise à la masse au châssis, voir l'article (f).
- Pour un véhicule avec masse au négatif, brancher la pince positive (ROUGE) du chargeur à la borne positive (POS, P,+) non mise à la masse de la batterie. Connecter le bouton de contact du Stop/Go lite à la borne négative (NEG, N, -). Observer la lumière et prendre de mesures appropriées. Quand la lumière verte s'allume, attacher la pince NEGATIVE (NOIRE) au châssis de la voiture ou au bloc moteur à distance de la batterie. Jamais brancher la pince au carburateur, au conduites d'essence ou aux pièces du châssis faites de tôle mince. Brancher à une pièce métallique épaisse du châssis ou au bloc moteur.
- Pour un véhicule avec masse au positif, brancher la pince POSITIVE (ROUGE) du chargeur à la borne POSITIVE (POS, P, +) de la batterie. Connecter le bouton de contact du Stop/Go lite à la borne négative (NEG, N, -). Observer la lumière et prendre de mesures appropriées. Quand la lumière verte s'allume, déconnecter la pince positive (ROUGE). Attacher la pince NEGATIVE (NOIR) à la borne masse NÉGATIVE (NEG, N, -) de la batterie. Attacher la pince POSITIVE (ROUGE) au châssis de la voiture ou au bloc moteur à distance de la batterie. Jamais brancher la pince au carburateur, au conduites d'essence ou aux pièces du châssis faites de tôle mince. Brancher à une pièce métallique épaisse du châssis ou au bloc moteur.
- Pour débrancher le chargeur, mettre les interrupteurs sur "O" (off), débrancher le cordon d'alimentation c.a., débrancher la pince du châssis du véhicule, puis débrancher la pince de la borne de la batterie, dans cet ordre.
- Pour toute information relative au temps de charge, voir les instructions d'utilisations.

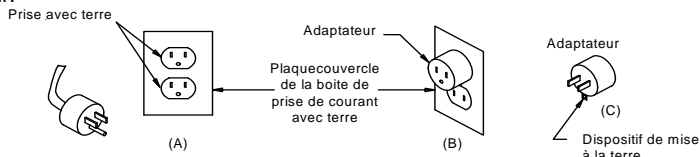
19. RESPECTER LES ÉTAPES SUIVANTES LORSQUE LA BATTERIE SE TROUVE À L'EXTÉRIEUR DU VÉHICULE. UNE ÉTINCELLE À PROXIMITÉ DE LA BATTERIE PEUT LA FAIRE EXPLOSER. POUR RÉDUIRE LE RISQUE D'ÉTINCELLES PRÈS DE LA BATTERIE, IL FAUT:

- Vérifier la polarité des bornes de la batterie. En général, la borne positive (POS, P, +) a un diamètre plus grand que celui de la borne négative (NEG, N, -).
- Relier à la borne négative (NEG, N, -) de la batterie un câble pour batterie isolé de calibre 6 (AWG) d'au moins 24 pouces de long.
- Brancher la pince positive (ROUGE) du chargeur à la borne positive (POS, P, +) de la batterie.
- Se tenir à distance de la batterie et dégager l'extrémité du câble puis brancher la pince négative (NOIRE) du chargeur à l'extrémité du câble.
- Ne pas faire face à la batterie pour effectuer le dernier branchement.
- Pour débrancher le chargeur, suivre en sens inverse les étapes relatives au branchement et débrancher la première connexion tout en se tenant aussi loin que possible de la batterie.
- Les batteries pour bateaux doivent être démontées et chargées à terre. La charge à bord d'un bateau exige un instrument mis au point spécialement pour applications maritimes. **NOTA: NE PAS UTILISER COMME CHARGEUR POUR APPLICATIONS MARITIMES.**

20. INSTRUCTIONS DE MISE À LA TERRE ET DE CONNEXION DU CORDON C.A.

Le chargeur doit être mis à la masse afin de réduire le risque d'électrocution. Le chargeur est muni d'un cordon électrique pourvu d'un conducteur de mise à la terre de l'équipement et d'une fiche avec la terre. La fiche doit être branchée dans une prise adéquatement installée et mise à la terre conformément aux règlements et codes en vigueur.

DANGER. Ne jamais modifier le cordon d'alimentation c.a. ni la fiche fournis pour les adapter à la prise; faire installer une prise adéquate par un électricien qualifié. Une connexion inadéquate peut être cause d'électrocution. Le chargeur doit être utilisé sur un circuit d'une valeur nominale de 120 volts et possède une fiche avec la terre similaire à celle de la FIGURE A.



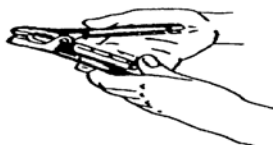
Un adaptateur temporaire, similaire à celui de la FIGURE C,

peut être utilisé pour brancher cette fiche à une prise bipolaire, tel que montré à la FIGURE B, jusqu'à ce qu'une prise avec terre adéquate soit installée par un électricien qualifié.

DANGER. Avant d'utiliser un adaptateur, tel qu'illustré, s'assurer que la vis centrale de la plaque-couvercle de la prise est mise à la terre. L'oreille rigide verte de la patte faisant saillie de l'adaptateur doit être branchée à une prise de courant mise à la terre adéquatement - s'assurer que l'oreille est mise à la masse. Si nécessaire, remplacer la vis originale de la plaque-couvercle de la prise par une vis plus longue qui saura bien retenir la patte de l'adaptateur à la plaque-couvercle et assurer la connexion de terre à la prise avec terre.

L'UTILISATION D'UN ADAPTATEUR EST INTERDITE AU CANADA. SI UNE PRISE DE COURANT AVEC MISE À LA TERRE N'EST PAS DISPONIBLE EN FAIRE INSTALLER UNE PAR UN ÉLECTRICIEN QUALIFIÉ AVANT D'UTILISER CET APPAREIL.

21. NOTE: BORNES SUR LE COTE NE DOIVENT ETRE QUE SUR LES SERRE JOINTS POSITIFS. Pour les instructions pour les serre joints négatifs voir sections 18e ou 18f.



Position en accumulation; Ne se perdra pas. Toujours prêt à servir.



Prolonger la position; Note: pression, quand la poignée est compressée, tient l'adaptateur fermement. Ne pas glisser en arrière.



Pousser les bornes; Note: Les serre joints sont retirés et la source de tension tient l'adaptateur fermement.

22. PÉRIODE DE CHARGE

- a. Utiliser un voltmètre ou un densimètre à compensation thermique pour déterminer l'état de charge de la batterie. Ne pas charger une batterie déjà chargée à plus de 75% ou défectueuse. Voir le tableau ÉTAT DE LA CHARGE.
- b. Déterminer la taille de la batterie (Petite, Moyenne ou Grande), voir tableau TAILLE DE LA BATTERIE.
- c. Se référer au tableau RÉGIME DE CHARGE PAR RAPPORT AU TEMPS DE CHARGE, pour déterminer le temps de charge recommandé pour la batterie, selon sa taille, son état de charge et l'ampérage de charge.
- d. Interrompe la charge quand la densité de l'électrolyte atteint 1.260 ou plus. La lecture doit être effectuée au moyen d'un densimètre à compensation thermique. Interrompe la charge se la batterie commence à émettre une quantité excessive de gaz ou lorsque la température de l'électrolyte atteint environ 50°C. Ne pas surcharger la batterie.

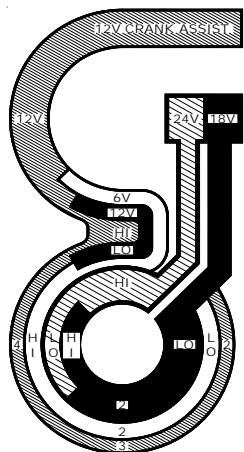
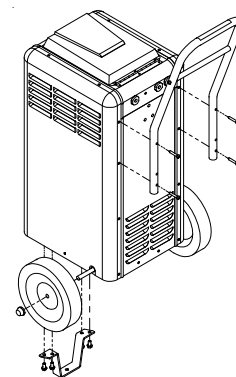
TABLEAU-TAILLE DE LA BATTERIE			
TAILLE DE LA BATTERIE	PETITE	MOYENNE	GRANDE
Ampères-Heures (Ah)	40	60	80+
Capacité de réserve (A)	60	90	100+
Courant de démarrage à froid (A)	275	350	400+

TABLEAU-ETAT DE CHARGE				
ÉTAT DE CHARGE	75%	50%	25%	HORS TENSION
Densité	1.225	1.185	1.140	1.110
Tension à vide (6V)	6.2	6.05	5.95	5.9
Tension à vide (12V)	12.4	12.1	11.9	11.8
Tension à vide (24V)	24.8	24.2	23.8	23.6

RÉGIME DE CHARGE/PAR RAPPORT AU TEMPS DE CHARGE								
TAILLE DE LA BATTERIE	% DE CHARGE	AMPÈRES	TEMPS (MINUTES)					
			15	30	45	60	75	90
PETITE	0-25	A M P È R E S	45	30	30	25	25	20
	25-50		30	20	20	15	15	10
	50-75		15	10	10	10	5	5
MOYENNE	0-25		70	50	45	40	35	30
	25-50		45	30	25	20	20	20
	50-75		25	15	15	10	10	10
GRANDE	0-25		90	55	55	50	45	45
	25-50		60	40	35	30	30	30
	50-75		30	20	20	15	15	15

INSTRUCTIONS D'ASSEMBLAGE

Attacher la poignée au chargeur en utilisant les quatre vis fournis. Attacher la jambe à la base avec les 4 vis en forme de X fournis. Pour attacher les roues et l'essieu à la base, mettre un écrou essieu dans l'essieu avec un marteau, glisser une roue dans l'essieu. Pousser l'essieu à travers la base, placer la roue en sens inversé. Placer l'écrou essieu dans l'essieu avec un marteau.



VOLTS/AMPS CHARGE

INSTRUCTIONS D'OPERATION

ATTENTION. Ce chargeur de batterie doit être complètement assemblé avant d'être mis en route. Faillir à ceci peut provoquer des accidents.

UTILISATION DU TABLEAU DE CONTROL:

Le compte minutes de charge à une position ETEINTE, une position CHARGE CONTINUS ainsi qu'une position de temps de charge de 0 à 120 minutes.

a. ETEINTE - Être sûr que le compte minutes soit toujours sur position éteinte avant de connecter ou de déconnecter les serre joints de la batterie. Le chargeur ne se mettra pas en route avant que le compte minutes soit sur cette position.

b. CHARGE CONTINUS - Cette position est utilisée pour charger lentement ou en parallèle et n'éteindra pas le chargeur. Ne pas utiliser cette position pour charger rapidement.

c. TEMPS DE CHARGE DE 0 A 120 MINUTES - Le distributeur va automatiquement éteindre le chargeur à la fin du temps indiqué. Tourner le compte minutes à plus de 20 avant de programmer le temps désiré.

d. CHARGE EN VOLTS ET CHARGE EN AMPERES - Ces interrupteurs sont utilisés pour régler le débit du voltage ainsi que le courant du chargeur de la batterie.

POUR CHARGER UNE BATTERIE

Faire les connexions à la batterie en suivant les instructions dans la section précédente du manuel. Déterminer le voltage de la batterie et tourner l'interrupteur de CHARGE EN VOLTS sur la plus petite position. Tourner l'interrupteur CHARGE EN AMPERE sur "LO". Allumer le compte minutes. Si un plus fort taux de charge est désiré, mettre l'interrupteur de charge en ampère sur une position plus élevée. Si le taux de charge n'est toujours pas satisfaisant, remettre l'interrupteur charge en ampère sur "LO" et augmenter CHARGE EN VOLTS. Ajuster l'interrupteur charge en ampère sur le taux désiré.

ATTENTION: Lorsque vous chargez une AGM, la batterie doit être terminée entre 14,7 V et 15,0 V, suivez toujours les instructions de fabrication de la batterie.

SURVOLTER LE DEPART

Eteindre toutes les lumières ainsi que tous les objets subsidiaires de la voiture.

Brancher la batterie suivant les instructions précédentes. Charger la batterie au moins 5 minutes. Assurez-vous que la batterie reçoit bien le courant avant de régler le chargeur au démarrage assisté (12V CRANK ASSIST). Réglez toujours l'assistant de démarrage à l'ampérage le plus bas. Mettre l'interrupteur sur la position SURVOLTER 12 (12V CRANK ASSIST).

Faire démarrer la voiture avec le chargeur branché sur la batterie.

Tourner l'interrupteur sur la position ETEINTE et retirer la prise du courant avant de débrancher les serre joints DC.

VEHICULES DIESEL

Les véhicules diesel ont besoin de certaines choses à cause de la faible compression nécessaire pour allumer le mélange de fuel. À cause de ceci, le starter du moteur a besoin de travailler plus, ce qui oblige la batterie à donner une plus grande puissance pendant un certain temps. Un voltage adéquat doit être fourni pour que la prise incandescente est assez d'énergie pour préchauffer la chambre. Quand on essaie de faire démarrer un véhicule diesel, toujours charger la batterie rapidement pendant 5 minutes. Si le temps le permet, charger la batterie aussi longtemps que possible ou jusqu'à ce que la batterie est atteinte 75% de charge. Assurez-vous que la batterie reçoit bien le courant avant de régler le chargeur au démarrage assisté (12V CRANK ASSIST). Réglez toujours l'assistant de démarrage à l'ampérage le plus bas. Quand le chargeur est allumé et attaché à la batterie, essayez de faire démarrer la batterie. Ne pas se servir de la manivelle plus de 20 secondes pour une période de 5 minutes. Pendant que le starter se refroidit, laissez le chargeur charger la batterie. Si la batterie a deux batteries, lire la section VEHICULES AVEC DEUX BATTERIES dans ce manuel.

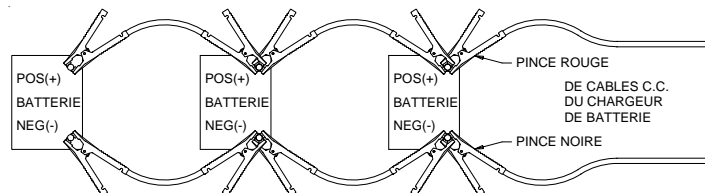
VEHICULES AVEC DEUX BATTERIES.

Bons nombres de véhicules diesel ainsi que de véhicules de services sont équipés de deux batteries. Cela permet au véhicule d'avoir une plus grande puissance au démarrage ou une plus grande réserve pour donner de la puissance aux accessoires. Ces batteries sont branchées sur un circuit en parallèle. À cause de ceci, il prendra deux fois plus de temps pour charger ces batteries que ce qui est indiqué dans le tableau TEMPS DE CHARGE. Si une batterie est chargée et l'autre déchargée, la batterie déchargée doit être retirée du véhicule et être vérifiée. Quand le chargeur est branché sur ce type de véhicule, le chargeur doit être branché sur la batterie la plus proche du starter. Cela permet au chargeur de donner une puissance maximum au départ au starter du moteur en minimisant la chute du voltage dans le câble de l'engin.

CHARGE EN PARALLELE

Ce chargeur peut être utilisé pour charger en parallèle jusqu'à 10 batteries avec un bar kit bus, ou en utilisant un câble avec un survolteur minimum de 6AWG pour brancher les batteries ensemble en parallèle.

ATTENTION: Ne pas brancher une batterie de 6 volts avec une de 12 volts en parallèle.



CHARGER UNE BATTERIE SULFATEE.

Si la batterie a été déchargée pour une longue période, il se peut qu'elle devienne SULFATÉE. Cela peut se voir par un dépôt blanc en haut de la batterie. Le sulfate se forme lorsqu'une batterie à un faible taux d'eau est restée déchargée pendant une longue période. Les batteries sulfatées ont la caractéristique de ne pas se charger indifféremment du taux de charge.

La méthode de chargement a deux étapes. La première est d'essayer de retirer le sulfate pour permettre à la batterie de se charger. Cela doit être surveillé prudemment pour éviter un surchauffement ainsi qu'un débit trop important. La deuxième étape est de charger doucement pour charger complètement la batterie.

LIRE ET SUIVRE TOUTES LES PRECAUTIONS DANS LE MANUAL D'INSTRUCTION AVANT D'ESSAYER DE CHARGER UNE BATTERIE SULFATÉE. FAILLIR À FAIRE ATTENTION PEUT DÉTRUIRE CE QUE VOUS AVEZ, OU VOUS BLESSEZ OU BIEN VOUS TUEZ.

POUR RECHARGER UNE BATTERIE SULFATÉE.

1. Attacher les serre joints comme indique sur le manuel d'instruction.
2. Toujours utiliser le débit le plus faible du chargeur quand le chargeur est mis en route. Mettre le chargeur sur le plus fort débit pour le voltage quand la batterie se charge.

ATTENTION: NE JAMAIS CHARGER LA BATTERIE À UN DÉBIT DE VOLTAGE PLUS FORT QUE CELUI DE LA BATTERIE.

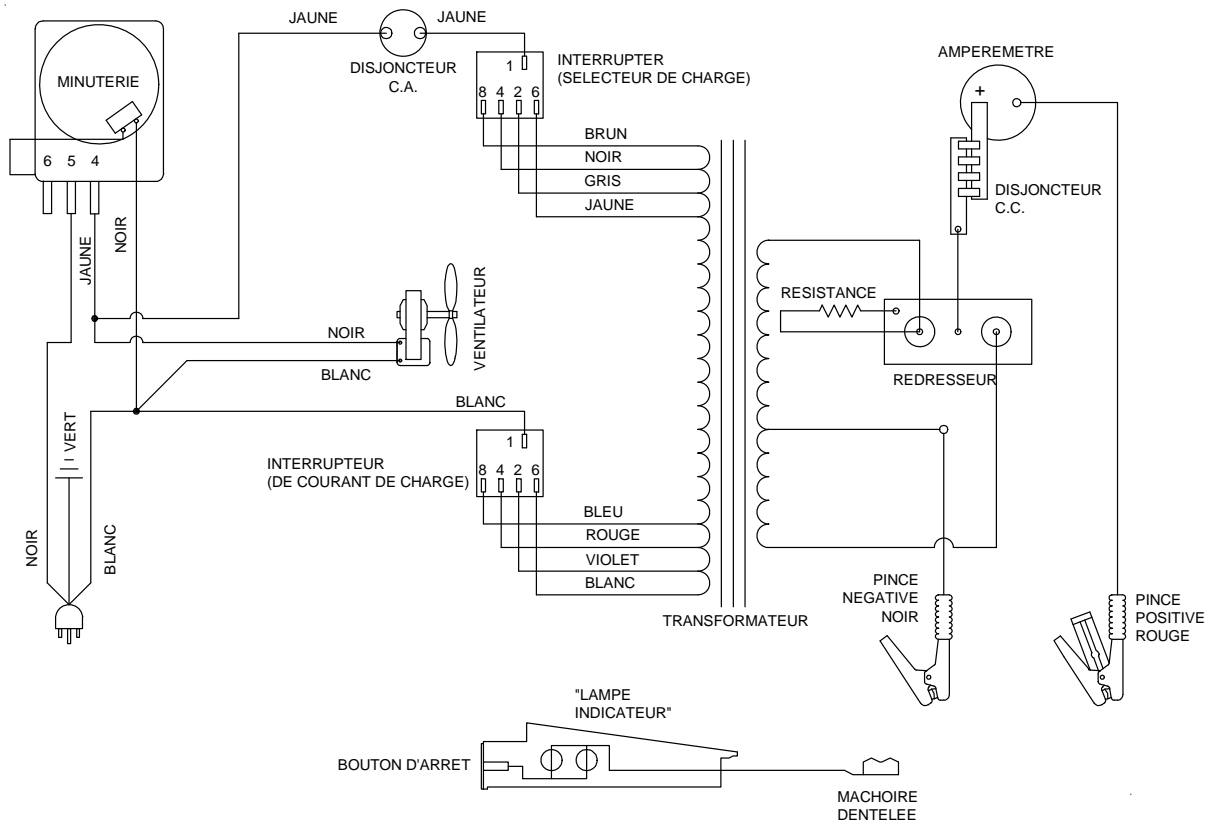
3. La batterie montera peut ou aucun ampérage au début du chargage. Cela continuera jusqu'à ce que le sulfate commence à se casser.

ATTENTION: AU FURET ET À MESURE QUE LE SULFATE SE CASSE, L'AMPÉRAGE PEUT S'ACCROÎTRE RAPIDEMENT. UNE ATTENTION CONSTANTE DOIT ÊTRE PORTÉE POUR ÉVITER QUE LA BATTERIE NE CHAUFFE.

4. Baisser le taux de charge au plus faible taux de charge pour le voltage de la batterie qui est entrain de se charger.
5. Charger la batterie à ce faible taux jusqu'à ce que l'électrolyte soit complètement chargé comme décrit dans le tableau du manuel d'instruction. Cela peut prendre de 2 à 3 jours.

NOTE: QUELQUES BATTERIES SONT TELLEMENT SULFATÉES QU'ELLES NE PEUVENT ÊTRE REMISES EN CONDITION D'OPÉRATION, INDIFFÉRENT DU TAUX DE CHARGE OU DE LA DURÉE DE CHARGE. SI LA BATTERIE NE PEUT ÊTRE COMPLÈTEMENT RECHARGER PAR CHARGEMENT LENT, ELLE DEVRA ÊTRE REMPLACÉE.

SCHÉMA DE CÂBLAGE



INSTRUCTIONS D'ENTRETIEN

Les pinces, les rallonges ou les câbles usés doivent être remplacés. Des pièces usées peuvent causer une mauvaise connexion et par là même poser un danger pour l'utilisateur. Voir la liste des pièces de rechange pour les numéros de pièce. Tout entretien ou toute réparation de l'appareil nécessitent le démontage du boîtier doit être effectué par un technicien qualifié.

IMPORTANTES MEDIDAS SEGURIDAD

1. **GUARDE ESTAS INSTRUCCIONES.** Este manual contiene importantes medidas de seguridad y operatividad para el cargador de baterías que usted ha comprado. Puede necesitar acudir a ellas en algún momento.
2. **PRECAUCION.** Para reducir el riesgo de peligro, cargue solo baterías de automóviles con celdas y ácido de plomo. Otras baterías pueden arder causando daños.
3. No esponga el cargador a la lluvia o nieve si la unidad no lo especifica como posible.
4. El uso de una conexión no recomendada por el fabricante del cargador de baterías puede causar riesgo de fuego, shock eléctrico o daño a personas.
5. Para reducir el riesgo de dañar el enchufe y el cable, al desconectarlos tire del enchufe, no del cable.
6. Asegúrese de que el cable esté colocado de manera que no cause peligro de tropiezos.
7. Una extensión no debe ser usada a no ser que sea absolutamente necesario. El uso de la extensión incorrecta puede causar peligro de fuego o shock eléctrico. Si usa una extensión, asegúrese de que:
 - a. Las terminales de la extensión son del mismo número, tamaño, talla y forma que las del enchufe del cargador.
 - b. La extensión está bien conectada y en buenas condiciones eléctricas.
 - c. Si la longitud de la extensión es menor que 25 pies, use un cable de 16 AWG. Si es menor que 50 pies, 12 AWG, 100 pies, 10 AWG, 150 pies, 8 AWG.
8. No opere el cargador con el enchufe o el cable dañado, cámbielo inmediatamente.
9. No opere el cargador si ha recibido un fundido agudo, se ha caído, o ha sido dañado de cualquier otra forma, llévelo a un servicio cualificado cuando la unidad lo necesite. Un ensamblaje incorrecto puede causar riesgo de fuego o shock eléctrico.
10. No desmonte el cargador a no ser que esté cualificado para trabajar con equipos eléctricos. Si no, llévelo a un servicio cualificado cuando la unidad lo necesite. Un ensamblaje incorrecto puede causar riesgo de fuego o shock eléctrico.
11. Para reducir el riesgo de shock eléctrico, desenchufe el cargador antes de limpiarlo o hacerle cualquier tipo de reparación. Apagando los controles este riesgo no se eliminará.
12. **PRECAUCIÓN. RIESGO DE GASES EXPLOSIVOS**
 - a. TRABAJAR EN LA PROXIMIDAD DE BATERÍAS DE ÁCIDO DE PLOMO ES PELIGROSO. LAS BATERÍAS GENERAN GASES EXPLOSIVOS DURANTE SU FUNCIONAMIENTO NORMAL. POR ESTA RAZÓN, ES DE MUCHA IMPORTANCIA LEER ESTE MANUAL ANTES DE USAR EL CARGADOR.
 - b. Para reducir el riesgo de una explosión de la batería, siga estas instrucciones y las publicadas por el fabricante de la batería y el fabricante de cualquier equipo que vaya a utilizar cerca de la batería. Revise las marcas de precaución de estos productos del motor.
13. **PRECAUCIONES PERSONALES**
 - a. Al trabajar con baterías de ácido de plomo, ha de tener a alguien que pueda acudir en su ayuda en caso necesario.
 - b. Tenga suficiente agua fresca cerca por si el ácido llegase a su piel, ropa u ojos.
 - c. Lleve protección en los ojos y en la ropa. Evite tocarse los ojos cuando trabaje cerca de la batería.
 - d. Si el ácido llegase a su piel o a su ropa, lávese inmediatamente con agua y jabón. Si el ácido llega a sus ojos, aclárese con agua al menos durante diez minutos y consiga atención médica.
 - e. NUNCA fume o permita una chispa cerca de la batería o del motor.
 - f. Sea extremadamente cuidadoso de no dejar caer un instrumento metálico en la batería. Puede producir una chispa o un cortocircuito en la batería o en otra parte del sistema eléctrico.
 - g. Qítense todo tipo de metal como anillos, pulseras, relojes, etc cuando trabaje con baterías de ácido de plomo. Una batería de ácido de plomo puede producir un cortocircuito con corriente lo suficientemente alta para fundir un anillo causando quemaduras graves.
 - h. Use este cargador solo para cargar baterías de ácido de plomo. Este cargador no está destinado para dar potencia a sistemas eléctricos de bajo voltage.
 - i. Nunca cargue una batería congelada.
14. **PREPARANDO PARA CARGAR**
 - a. Si fuese necesario sacar la batería del vehículo para cargarla siempre quite la terminal a tierra primero. Asegúrese que todos los accesorios del vehículo están apagados para no causar un arco.
 - b. Asegúrese de que el área alrededor de la batería está ventilada mientras la batería se está cargando. Usando un cartón u otro elemento que funcione como ventilador podemos quitar el gas que la batería desprende.
 - c. Limpie las terminales de la batería. Tenga cuidado de que la corrosión no llegue a sus ojos.
 - d. Añada agua destilada en cada celda hasta que el ácido de la batería llegue a los niveles especificados por el fabricante. Esto ayuda a purgar el excesivo gas de las celdas. No sobre llene. Para una batería sin celdas, siga las instrucciones de carga del fabricante.
 - e. Estudie todas las instrucciones del fabricante de la batería como quitar o no las tapas de las celdas mientras cargamos y los rangos de carga recomendados.
 - f. Determine el voltage de la batería acudiendo al manual del automóvil y asegúrese de que el selector de salida de voltage está marcando el voltage adecuado. Si el cargador tiene rango de carga ajustable, cargue la batería inicialmente al rango más bajo.

15. COLOCACIÓN DEL CARGADOR

- Coloque el cargador tan lejos de la batería como los cables de corriente directa lo permitan.
- Nunca coloque el cargador directamente por encima de la batería a cargar; los gases dañarán el cargador.
- Nunca permita que el ácido de la batería pueda caer en el cargador cuando se lee la gravedad específica o al rellenar la batería.
- No opere en cargador en un área cerrada o con ventilación restringida.
- No coloque la batería encima del cargador.

16. PRECAUCIONES DE LA CONEXIÓN DC

- Conecte y desconecte las pinzas de salida DC solo después de poner los interruptores en posición OFF y de quitar los cables AC de la terminal eléctrica.
- Conecte las pinzas a la terminal de la batería, ajústelas varias veces para asegurar una buena conexión. Esto previene que las pinzas se suelten y reduce el riesgo de chispas.

17. INSTRUCCIONES DE LA LUZ STOP/GO

Cuando es usada correctamente la luz stop/go indica cuando las conexiones de las pinzas son correctas. Conecte la pinza positiva (roja) a la terminal positiva (POS,+). Toque con el botón de contacto de la pinza negativa la otra terminal de la batería. Observe las luces LED:

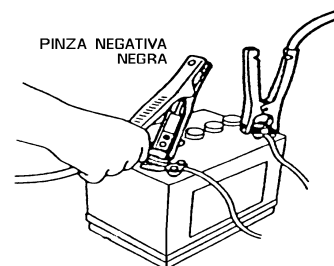
LUZ VERDE: Primera conexión correcta. Haga la segunda conexión.

LUZ ROJA: La primera conexión es incorrecta, conecte la terminal positiva a la otra terminal de la batería.

LUZ ROJA Y VERDE: El cargador de baterías está encendido. Apáguelo.

SIN LUZ: Revise la batería. Limpie la corrosión de las pinzas, mordazas y terminales de la batería.

Repita la prueba. Si todavía no se enciende la luz, use un voltímetro u otro medio para asegurarse de que ha indentificado correctamente la polaridad de las terminales de la batería. Entonces conecte las pinzas sin hacer caso de la luz Stop/Go.



18. SIGA ESTOS PASOS CUANDO LA BATERÍA ESTE INSTALADA EN EL VEHÍCULO. UNA CHISPA CERCA PUEDE CAUSAR UNA EXPLOSIÓN DE LA BATERÍA. PARA REDUCIR EL RIESGO DE UNA CHISPA CERCA DE LA BATERÍA:

- Lea la sección INSTRUCCIONES DE LA LUZ STOP/GO antes de seguir.
- Coloque los cables AC y DC de forma que no causen ningún peligro.
- Permanezca alejado de ventiladores, correas etc que pueden dañar al operador.
- Revise la polaridad de las terminales de la batería, la terminal positiva es normalmente de mayor diámetro que la negativa.
- Determine qué terminal de la batería está conectada a tierra por el chasis. Si la terminal negativa está conectada a tierra por el chasis (como en la mayoría de los vehículos), pase al punto f. Si la terminal positiva está conectada a tierra por el chasis, pase al punto g.
- Para un vehículo con conexión a tierra negativa, conecte la pinza positiva (roja) del cargador de baterías a la terminal no a tierra Positiva (Pos,P,+) de la batería. Conecte el botón de contacto Stop/Go a la terminal Negativa de la batería. Interprete la luz y realice lo conveniente. Cuando la luz verde se enciende, conecte la pinza negativa (negra) al chasis del vehículo, o parte pesada de metal. No conecte la pinza al carburador o a los tubos de combustible.
- Para vehículos con terminal a tierra positiva, conecte la pinza positiva (roja) del cargador de baterías a la terminal positiva (pos,p,+) de la batería. Conecte la luz Stop/Go a la terminal negativa (Neg,N,-) no a tierra de la batería. Conecte la pinza Positiva (roja) al chasis del vehículo. No conecte la pinza al carburador o tubos de combustible.
- Cuando desconecte el cargador, apague los interruptores, desconecte los cables AC, quite la pinza del chasis del vehículo y después quite las pinzas de la terminal de la batería.
- Vea las instrucciones de operación para las instrucciones de la duración de la carga.

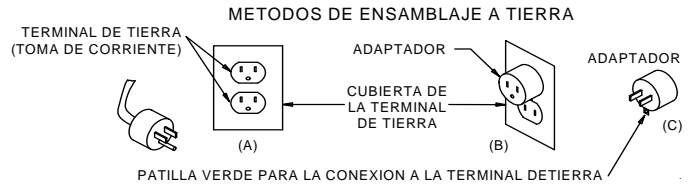
19. SIGA ESTOS PASOS CUANDO LA BATERÍA ESTE FUERA DEL VEHÍCULO. UNA CHISPA CERCA DE LA BATERÍA PUEDE CAUSAR EXPLOSIÓN DE LA BATERÍA. PARA REDUCIR EL RIESGO DE UNA CHISPA CERCA DE LA BATERÍA:

- Lea la sección "instrucciones de la luz Stop/Go" antes de empezar.
- Compruebe la polaridad de los postes de la batería. El polo positivo (Pos,P,+) tiene normalmente un diámetro más ancho que el negativo (Neg, N, -).
- Conecte un cable de por lo menos 24" de largo y 6 ancho (AWG) aislado al polo negativo de la batería (Neg, N, -).
- Conecte la pinza roja positiva del cargador al polo positivo (Pos,P,+) de la batería.
- Conecte el botón Stop/Go al final del cable de la batería. Si se enciende la luz roja, cambie la conexión. Compruebe de nuevo. Cuando se enciende la luz verde, póngase tan lejos de la batería como le sea posible-Entonces conecte la pinza negra negativa del cargador al final del cable.
- No se ponga de cara a la batería cuando haga a la conexión final.
- Cuando desconecte el cargador, hágalo siempre en el orden inverso al prodedimiento de conexión, y rompa la primera conexión mientras permanece tan lejos de la batería como le sea práctico.
- Una batería marina (barco) puede quitarse y cargarse en el almacén. Para cargarse a bordo se requiere un equipo especial, diseñado para uso marino.

20. INSTRUCCIONES DE CONEXIÓN DEL CABLE AC A TIERRA

El cargador debería estar en tierra para reducir el riesgo de shock eléctrico. El cargador está equipado con un cable eléctrico que tiene un conductor y un enchufe de tierra. El enchufe debe ser conectado en una terminal que esté adecuadamente instalada de acuerdo con las normas locales.

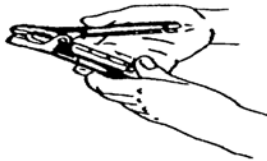
PELIGRO. Nunca altere el cable AC o el enchufe-Si no se ajusta, necesita ser instalado por un electricista profesional. Conexiones incorrectas pueden causar riesgo de shock eléctrico. El cargador de la batería es para uso de circuitos de 120 voltios y tiene un enchufe de tierra como aparece en la FIGURA A. Un adaptador temporal como aparece en la FIGURA C, puede usarse para conectar el enchufe a un receptáculo de dos polos, como se muestra en la FIGURA B, hasta que una terminal de tierra adecuada pueda ser instalada por un electricista cualificado.



PELIGRO. Antes de usar el adaptador, asegúrese de que el tornillo del centro de la terminal está en tierra. La reja de color verde del enchufe que sale del adaptador, debe ser conectada a una terminal a tierra adecuada-Asegúrese de que está en tierra. Si es necesario, cambie el tornillo original del plato de la terminal por un tornillo más largo, que asegurará la oreja del adaptador a la terminal y hará la conexión a tierra con la terminal a tierra.

21. ¡ATENCIÓN! ¡¡LAS TERMINALES LATERALES SE US ARÁN SOLO CON LA PINZA POSITIVA!!

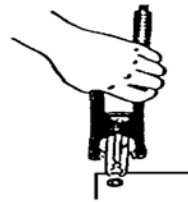
Para instrucciones para la conexión de la pinza negativa referirse a la sección 18f o 18g.



Posición de almacenaje
No se perderán. Siempre listas para ser usadas.



Posición extendida
Nota: la presión, cuando aprieta la pinza, sujeta el adaptador. No se soltará.



Conexión a la terminal
Nota: la tensión en la pinza y el muelle sujetan el adaptador.

22. DURACIÓN DE LA CARGA

- a. Mida la batería para ver el estado de carga. No cargue si está cargada más del 75% o si es defectuosa.
- b. Coloque el rango de carga de amperaje según el tamaño de la batería y el estado de carga de la misma.
- c. Marque los minutos de carga y empiece la carga de amperios.
- d. Desconecte la carga cuando la gravedad específica del electrolito alcanza 1.260 o superior. Un hidrómetro compensador de la temperatura debería usarse para esta lectura. Desconecte la carga si la batería empieza a liberar gases excesivamente o cuando la temperatura del electrolito alcanza 125 grados F. No sobrecargue las baterías. La sobrecarga causará una excesiva pérdida de agua y dañará la misma.

TABLA DEL TAMAÑO DE LA BATERIA			
TAMAÑO DE LA BATERIA	PEQUEÑA	MEDIANA	GRANDE
Horas de Amperaje	40	60	80+
Capacidad de reserva	60	90	100+
Amperios de cranking frio	275	350	400+

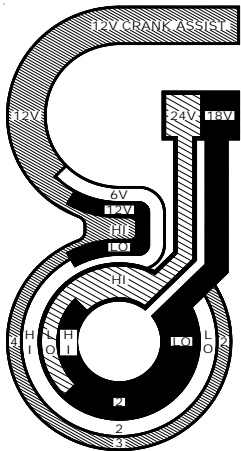
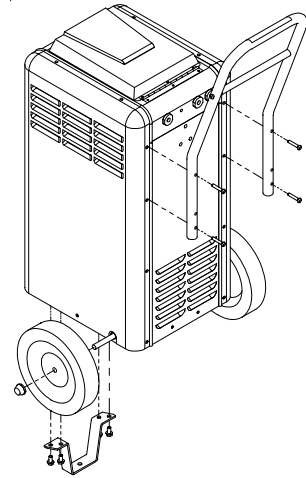
TABLA DEL ESTADO DE CARGA				
ESTADO DE CARGA	75%	50%	25%	MUERTA
Gravidad Especifica	1.225	1.185	1.140	1.110
Voltage del circuito abierto 6V	6.2	6.05	5.95	5.9
Voltage del circuito abierto 12V	12.4	12.1	11.9	11.8
Voltage del circuito abierto 24V	24.8	24.2	23.8	23.6

RELACION ENTRE LA CAPACIDAD Y LOS MINUTOS DE CARGA							
TAMAÑO DE LA BATERIA	% DE CARGA	MINUTOS					
		15	30	45	60	75	90
PEQUEÑA	0-25%	45	30	30	25	25	20
	25-50%	30	20	20	15	15	10
	50-75%	15	10	10	10	5	5
MEDIANA	0-25%	70	50	45	40	35	30
	25-50%	45	30	25	20	20	20
	50-75%	25	15	15	10	10	10
GRANDE	0-25%	90	55	55	50	45	45
	25-50%	60	40	35	30	30	30
	50-75%	30	20	20	15	15	15

INSTRUCCIONES DE ENSAMBLAJE

Conecte el mango a la parte de atrás del cargador usando los cuatro tornillos provistos.

Conecte la pata frontal a la base usando los cuatro tornillos provistos. Para colocar las ruedas en la base, meta las ruedas con la parte exterior mirando hacia afuera. Ponga la barra a través de la base. Repita por el otro lado. Ponga un tornillo al final de la barra con un martillo.



VOLTS/AMPS CHARGE

INSTRUCCIONES DE FUNCIONAMIENTO

PELIGRO. El cargador de la batería debe ser ensamblado completamente antes de usarlo. Si no es así, puede causar daños a su persona.

USO DEL PANEL DE INSTRUMENTOS:

EL CRONÓMETRO DE MINUTOS DE CARGA tiene una posición de apagado, una posición de carga continua y un tiempo de carga que va de cero a 120 minutos.

a. APAGADO "OFF": Asegúrese siempre de que el cronómetro está en la posición de apagado antes de conectar o desconectar las pinzas de la batería. El cargador no cargará con el cronómetro en esta posición.

b. CARGA CONTINUA "CONTINUOUS CHARGE": Esta posición se usa para cargas lentas o para la carga en paralelo y el cargador no se apaga. No use esta posición para cargas rápidas.

c. DE CERO A 120 MINUTOS: El cronómetro apagará automáticamente el cargador cuando el tiempo de carga seleccionado haya pasado. Gire el cronómetro pasado los 20 minutos antes de poner el tiempo deseado.

d. LOS INTERRUPTORES DEL VOLTAGE Y AMERAJE DE CARGA se usan para regular el voltage de la terminal y la corriente del cargador de baterías.

PARA CARGAR BATERÍAS

Haga las conexiones a la batería según las instrucciones de la sección anterior. Determine el voltage de la batería y ponga el voltage de carga al nivel más bajo apropiado. Ponga el interruptor de amperaje de carga "LO". Encienda el cronómetro, si se desea más carga, ponga el interruptor de amperaje de carga en una posición más alta. Si eso no fuese satisfactorio, vuelva a poner el interruptor del amperaje en "LO" y avance una posición el voltage de carga. Ajuste el interruptor de amperaje de carga al rango deseado.

ATENCIÓN: cuando cargue un AGM, la batería debe terminar entre 14.7 V y 15.0 V, siempre siga las instrucciones de fabricación de la batería.

PODER DE ARRANQUE

Apague todas las luces y accesorios del coche parado.

Conecte la batería según las instrucciones anteriores.

Cargue la batería rápidamente durante al menos 5 minutos. Asegúrese de que la batería esté aceptando corriente antes de poner el cargador en modalidad de arranque ("Crank Assist"). Empiece siempre con el amperaje de arranque más bajo. Ponga el interruptor en la posición de arranque ("Crank Assist"). Encienda el coche con el cargador conectado a la batería. **NOTA:** no encienda el motor más de 20 segundos en periodos de 5 minutos. Mientras espera que el starter se enfríe, deje que el cargador siga cargando la batería. Ponga el cronómetro en OFF antes de desconectar las pinzas.

VEHÍCULOS DIESEL

Los motores diesel tienen unos requisitos de arranque especiales debido a la alta compresión que se necesita para prender la mezcla de fuel.

Debido a esto el motor del estarter tiene que trabajar más duro lo cual requiere una cantidad más alta de energía de la batería por cada periodo de tiempo. Un adecuado voltage es necesario para asegurar que el enchufe tenga suficiente energía para precalentar el cargador. Cuando intente encender un vehículo diesel, cargue siempre rápidamente la batería durante al menos 5 minutos. Si el tiempo lo permite, cargue la batería tanto como le sea posible o hasta que alcance el 75% de su estado de carga. Asegúrese de que la batería esté aceptando corriente antes de poner el cargador en modalidad de arranque ("Crank Assist"). Empiece siempre con el amperaje de arranque más bajo. Con el cargador en "ON" y conectado a la batería, intente arrancar el vehículo. No arranque el motor más de 20 segundos en periodos de 5 minutos. Mientras deja que el starter se enfríe, deje que el cargador siga cargando la batería. Si la vehículo ha con dos baterías instalado, lea la "VEHÍCULOS CON DOS BATERÍAS" sección de ce manual.

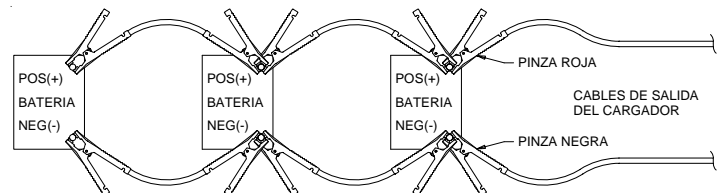
VEHÍCULOS CON DOS BATERÍAS

Muchos vehículos diesel y de servicio están equipados con dos baterías. Esto es para darle un poder de arranque más grande o una capacidad de reserva más larga para proveer energía para los accesorios. Estas baterías están conectadas en un circuito paralelo. Por esta razón, se tardará el doble en cargar estas baterías como se indica en la tabla de DURACIÓN DE LA CARGA. Si una batería está cargada y la otra descargada, la batería descargada debe ser quitada del vehículo y revisada. Cuando conecte el cargador a este tipo de vehículos, debe ser conectado a la batería que está más cerca del estarter. Esto permite al cargador proveer el máximo poder de arranque al estarter minimizando el voltage en los cables del motor.

CARGA PARALELA

Este cargador se usa para cargar paralelamente diez baterías o más con una barra y usando cables de 6AWG de ancho para conectar las baterías juntas en paralelo.

PRECAUCION. No conecte baterías de 6 y 12 voltios en paralelo una con la otra.



CARGANDO BATERÍAS SULFATADAS

Si su batería ha estado descargada por un periodo extendido de tiempo, puede estar sulfatada. Esto usualmente se ve como depósitos blancos cerca de la parte de arriba de la batería. El sulfato se forma cuando una batería con niveles bajos de agua se queda descargada por un tiempo extendido. Las baterías sulfatadas tienen la característica de no aceptar carga, sin importar la medida de esta que se aplique.

El método de carga tiene dos etapas. La primera etapa es intentar descomponer el sulfato para permitir que la batería acepte la carga. Tiene que hacerse con cuidado para evitar una medida de carga excesiva cuando la batería empieza a cargarse y que se sobrecaliente. La segunda etapa es un cargamiento despacio para permitir a la batería que se cargue completamente.

LEA Y SIGA TODAS LAS PRECAUCIONES Y AVISOS EN SU MANUAL DE INSTRUCCIONES ANTES DE INTENTAR CARGAR LAS BATERÍAS SULFATADAS. NO CUMPLIR ESTOS AVISOS PUEDE RESULTAR EN DAÑOS DE PROPIEDAD, SERIOS DAÑOS PERSONALES O INCLUSO LA MUERTE.

Para recargar una batería sulfatada:

1. Sujete las pinzas de la batería como está explicado en el manual de instrucciones.
2. Use siempre la medida más baja del cargador cuando lo encienda. Ponga el cargador en la medida más alta para el voltaje del cargador que está siendo cargado.

AVISO: NUNCA CARGUE UNA BATERÍA A UN VOLTAGE SUPERIOR AL DE LA BATERÍA EN SÍ.

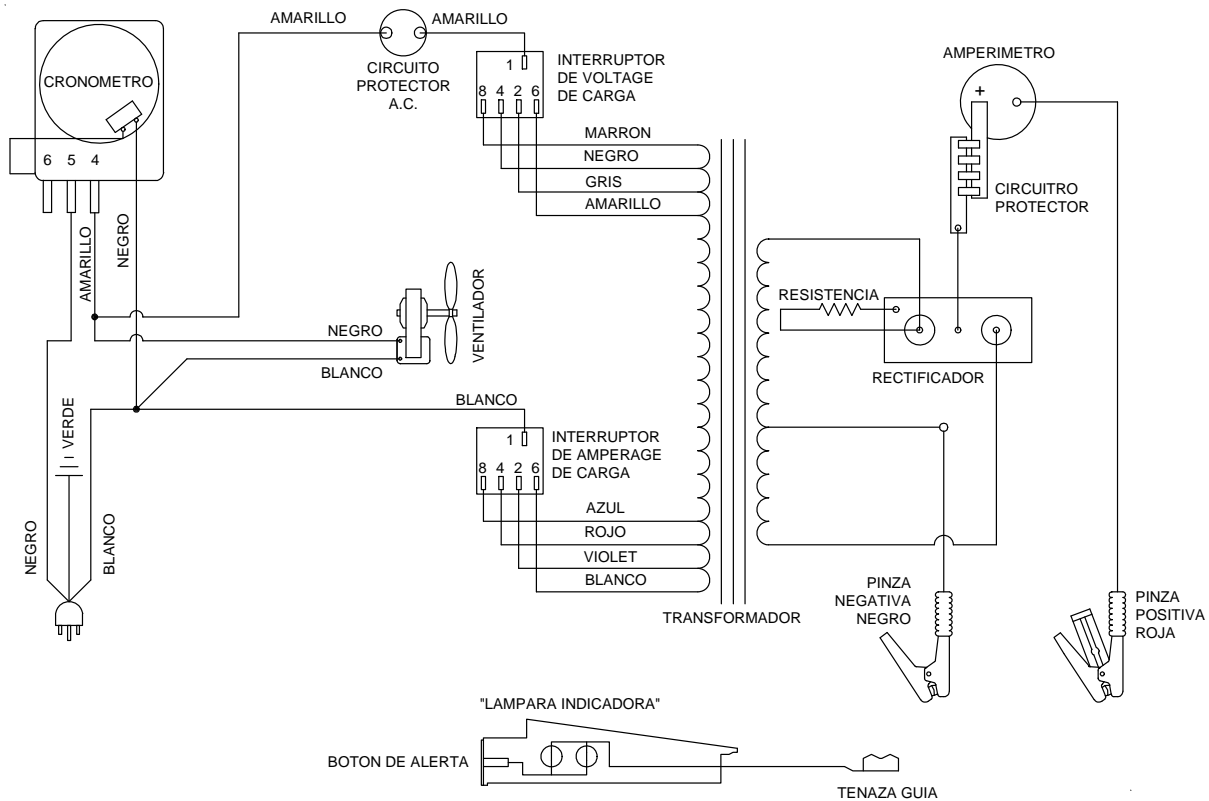
3. La batería mostrará poco o no amperaje al comienzo del proceso de carga.

AVISO: MIENTRAS EL SULFATO SE DESCOMPONE, LOS AMPERIOS PUEDEN AUMENTAR RÁPIDAMENTE. SE NECESITA ATENCIÓN CONSTANTE PARA PREVENIR EL SOBRECALIENTAMIENTO DE LA BATERÍA.

4. Baje la medida de carga a la medida más baja para los voltios de la batería que está cargando.
5. Cargue la batería a la medida más baja hasta que el electrolito llegue al estado de carga completa como está explicado en las tablas de su manual de instrucciones. Esto puede llegar a durar dos o tres días.

NOTA: ALGUNAS BATERÍAS PUEDEN ESTAR TAN SULFATADAS QUE NO PUEDEN REPARARSE Y VOLVER A UNA CONDICIÓN DE OPERACIÓN NORMAL, SIN IMPORTAR LA MEDIDA DE CARGA O LONGITUD DE TIEMPO QUE SE APLIQUE. SI LA BATERÍA NO PUEDE SER REPARADA Y VOLVER A UNA CONDICIÓN DE CARGA COMPLETA MEDIANTE UNA CARGA LENTA, DEBE SER REEMPLAZADA.

DIAGRAMA DE CABLES

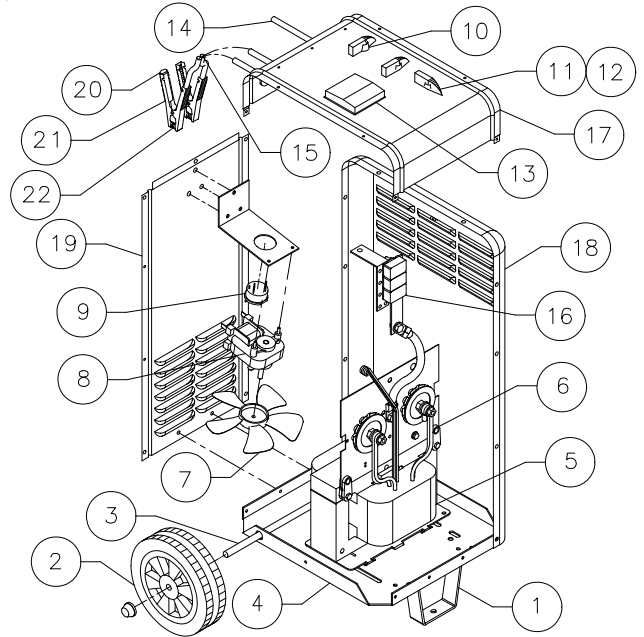


INSTRUCCIONES DE MANTENIMIENTO

Pinzas y mordazas deterioradas deben ser reemplazadas. Las partes deterioradas causan malas conexiones y pueden ser un peligro para su seguridad. Vea la lista de piezas para el número de kits de pinzas y mordazas. Cualquier mantenimiento y reparación de esta unidad que necesite el desmonte de la caja debe ser realizado sólo por un servicio cualificado. El montaje incorrecto puede llevar a un shock eléctrico cuando se use la unidad.

MODEL 6002B PARTS LIST

1.	Front leg	610864
2.	Wheels w/nuts (2).....	610553
3.	Axle w/nuts	605673
4.	Base	605186
5.	Transformer.....	611072
6.	Rectifier	611073
7.	Fan Blade.....	610189
8.	Fan Motor.....	610190
9.	AC Circuit Breaker	610397
10.	Timer	611245
11.	Switch w/knob (1).....	611187
12.	Pointer Knob (1)	603147
13.	Amps Charge Meter	605204
14.	AC Cord.....	611253
15.	DC Cable Set	611074
16.	DC Circuit Breaker (1).....	610069
17.	Top panel	611247
18.	Side Panel (1)	605209
19.	Back Panel	611080
20.	Stop/Go Lite	604579
21.	Clamps (1 pair, includes jaws)	6202
22.	Jaw Kit (repairs 1 clamp).....	610970
	Not shown	
	Lid	605211
	Handle.....	610753
	Front Panel.....	611079
	Clamp Bar	610517



MODÉLE 6002B LISTE DES PIÈCES DE RECHANGE

1.	Pied avant	610864
2.	Roue avec Écrous (2)	610553
3.	Axe avec Écrous	605673
4.	Base	605186
5.	Transformateur.....	611072
6.	Redresseur.....	611073
7.	Pale de Ventilateur	610189
8.	Moteur de Ventilateur	610190
9.	Disjoncteur C.A.	610397
10.	Minuterie	611245
11.	Interrupteur Avec Bouton (1).....	611187
12.	Bouton (1).....	603147
13.	Indicateur de Courant Charge	605204
14.	Cordon d'alimentation C.A	611253
15.	Jeu de Câbles C.C	611074
16.	Disjoncteur C.C.	610069
17.	Panneau Superior	611247
18.	Panneau Latéral (1).....	605209
19.	Panneau Arrière	611080
20.	Voyant arrêt/marche.....	604579
21.	Pinces (1 paire avec mâchoires)	6202
22.	Jeu de mâchoires (répare 1)	610970
	Masque	
	Couvercle	605211
	Poignée	610753
	Panneau Avant.....	611079
	Barre de bride.....	610517

MODELO 6002B LISTA DE PARTES

1.	Pata Frontal	610864
2.	Ruedas con Tuercas (2).....	610553
3.	Barre con Tuercas	605673
4.	Base	605186
5.	Transformador	611072
6.	Rectificador	611073
7.	Hélice Del Ventilador.....	610189
8.	Motor Del Ventilador.....	610190
9.	Circuito Protector AC.....	610190
10.	Cronómetro	611245
11.	Interruptor (1).....	611187
12.	Pomo (1).....	603147
13.	Medidor del Amperaje Carga	605204
14.	Cable AC	611253
15.	Set de cables DC	611074
16.	Circuito Protector DC (1)	610069
17.	Panel Superior.....	611247
18.	Panel Lateral (1).....	605209
19.	Panel Trasero	611080
20.	Luz Stop/Go	604579
21.	Pinzas (1 par incluyen mordazas)	6202
22.	Set de Mordazas (repara 1)	610970
	No se muestra	
	Tapa	605211
	Mango	610753
	Panel Frontal	611079
	Barre de Presilla.....	610517

ASSOCIATED EQUIPMENT CORPORATION
5043 FARLIN AVE. ST. LOUIS MISSOURI 63115
Tel. (314) 385-5178 Fax. (314) 385-3254
www.associatedequip.com