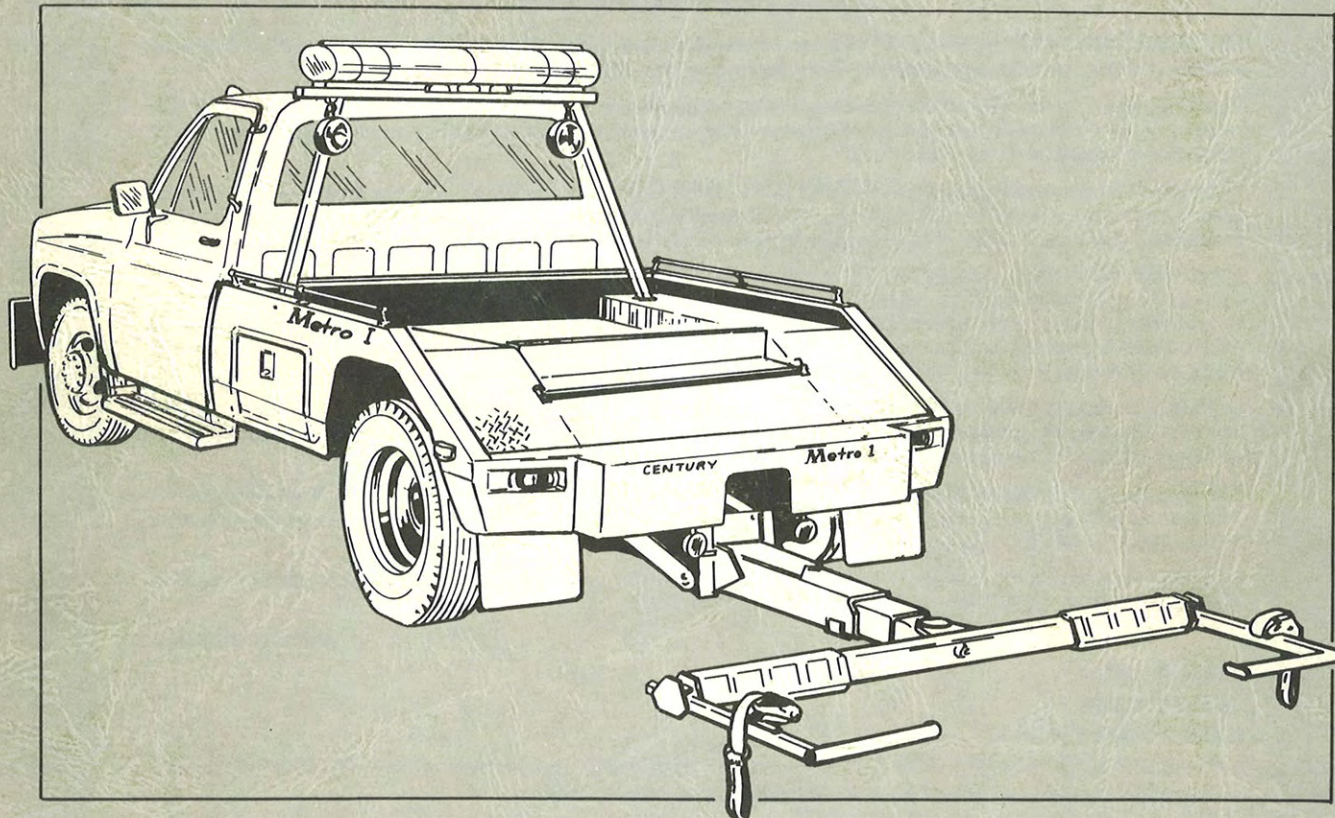


CENTURY®



OWNER'S MANUAL
INSTALLATION, OPERATION, MAINTENANCE & PARTS
SERIAL NO. V-0101-D84

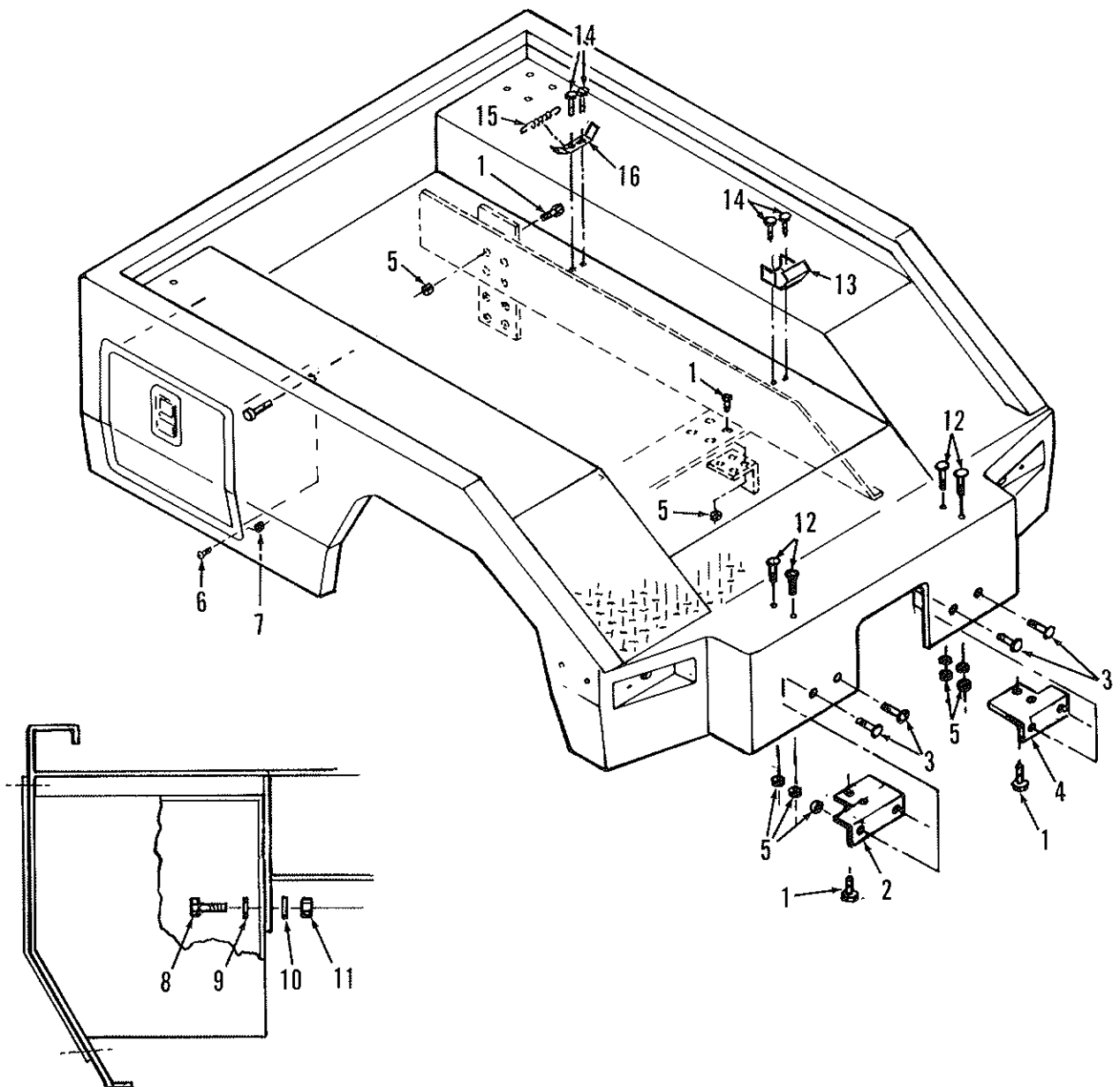
METRO I

(PATENT PENDING)

CENTURY®
WRECKER
CORPORATION

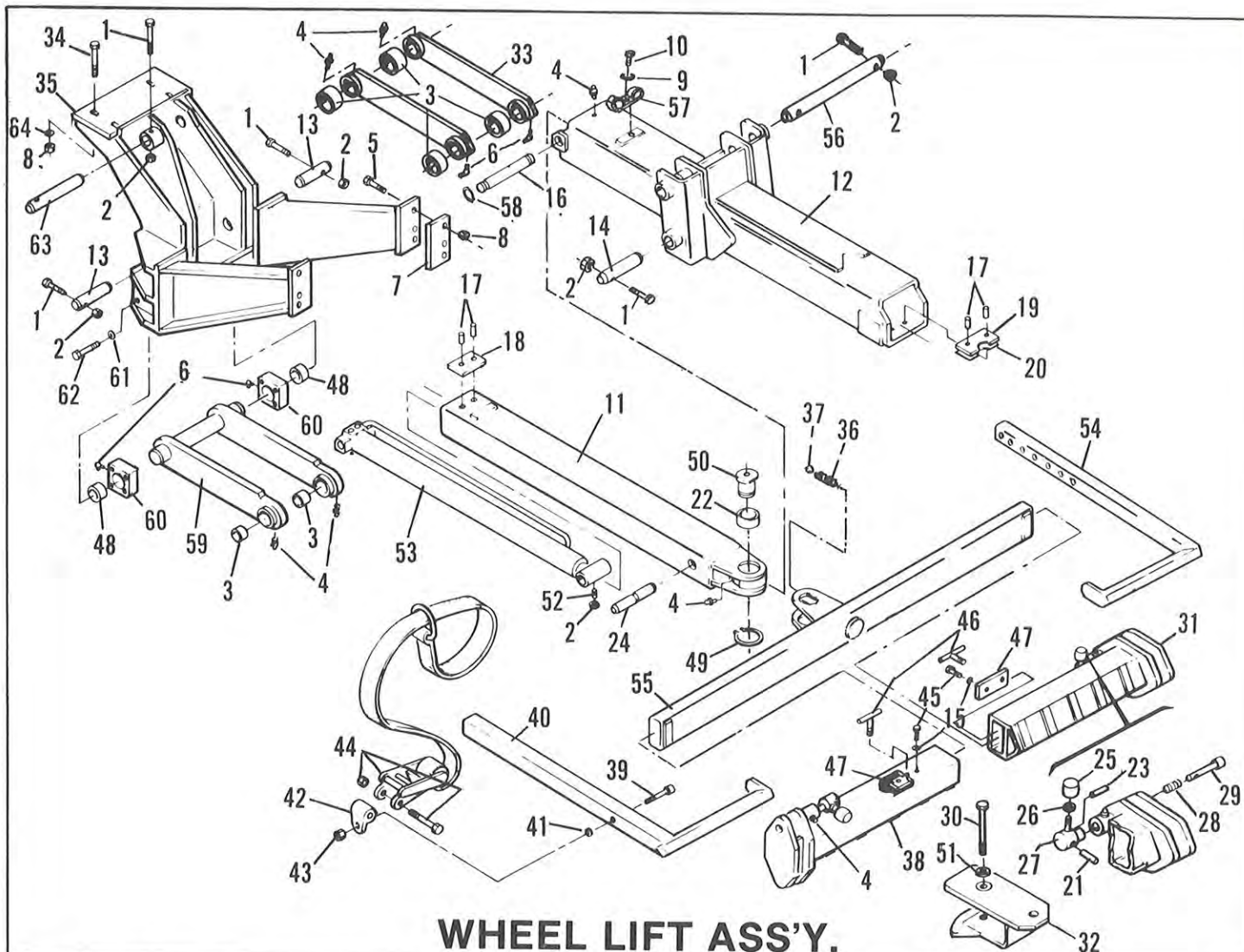
I-75 at Ooltewah Exit #11 • 8503 Hilltop Drive • Ooltewah, Tennessee 37363 • (615) 238-4171
Mailing Address: P.O. Box 120 • Ooltewah, Tennessee 37363

FORM NO. 0500204-F84
PRICE \$15.00



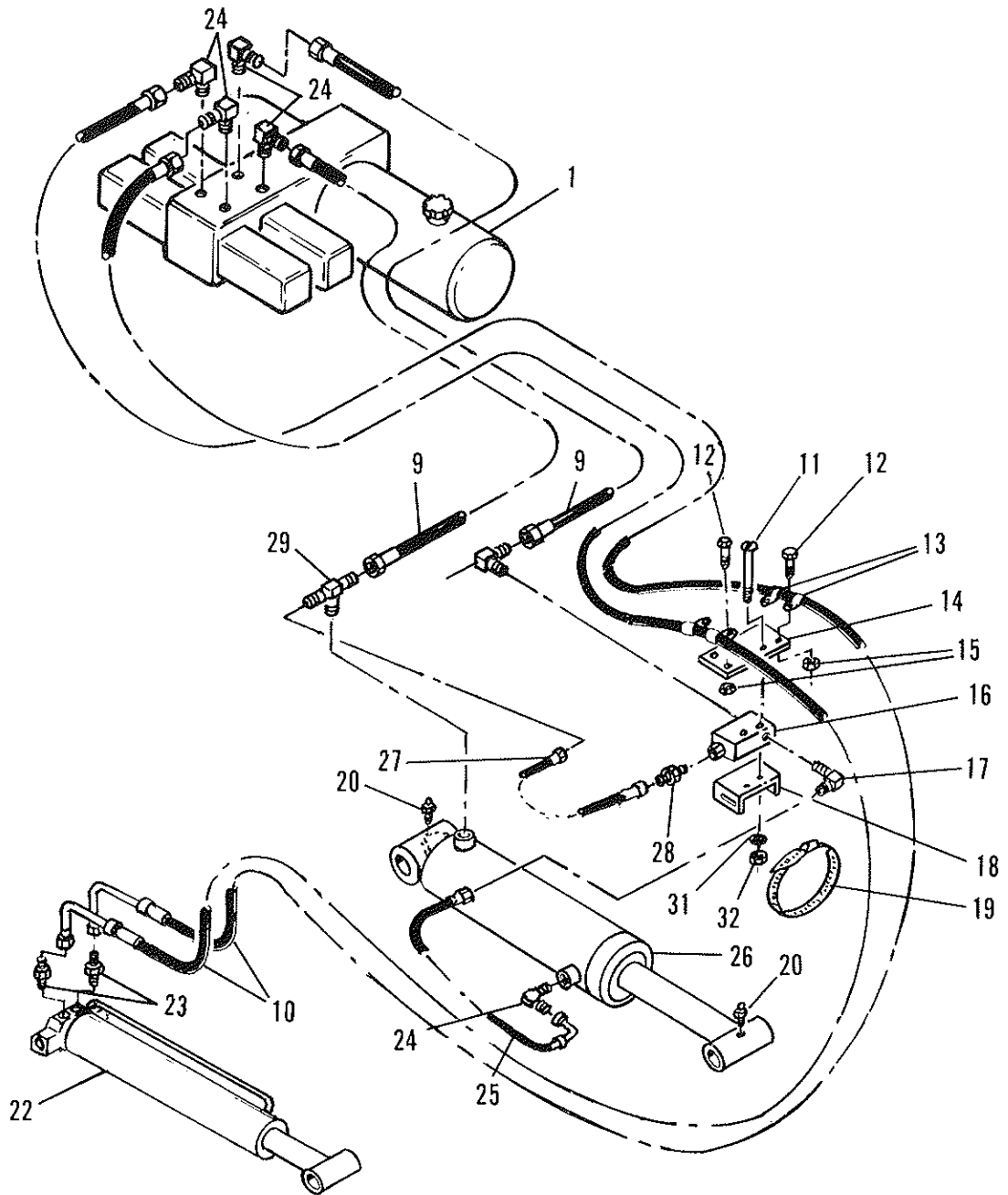
METRO I BODY ASSEMBLY

ITEM	PART NO.	DESCRIPTION	QTY.
1	0400177	Screw 1/2"-13x1-1/4" Hex. Hd. Cap, Go.5, Plated	20
2	0702209	Left Rear Mounting Angle 4"x4"x3/8" Angle	1
3	0400200	Carriage Bolt 1/2"-13x2"	4
4	0702208	Right Rear Mounting Angle 4"x4"x3/8" Angle	1
5	0400408	Nut, Hex 1/2-13 Hex Nylon Lock, Plated	20
6	0400061	Machine Screw 1/4"-20x3/4" Pan Hd. Slotted, Plated	16
7	0400366	Nut 1/4"-20 Reg. Plated	16
8	0400122	Bolt 3/8"-16x1-1/4" Hex. Hd. Gr. 5, Plated	4
9	0400480	Flat Washer 3/8" Flat Washer, Zinc Plated	4
10	0400482	Lockwasher 3/8" Helical, Plated	4
11	0400392	Nut 3"-16 Hex, Nylon Lock, Plated	4
12	0400201	Carriage Bolt 1/2" - 13 x 1-1/2"	4
13	0702206	Brkt., Tire Restraint Tie Down	2
14	0400062	Screw, 1/4" Self Tap, Hexwasher Hd.	8
15	0301416	Spring, Tire Restraint Tie Down	2
16	0702191	Brkt., Tire Restraint Tie Down	2



WHEEL LIFT ASS'Y.

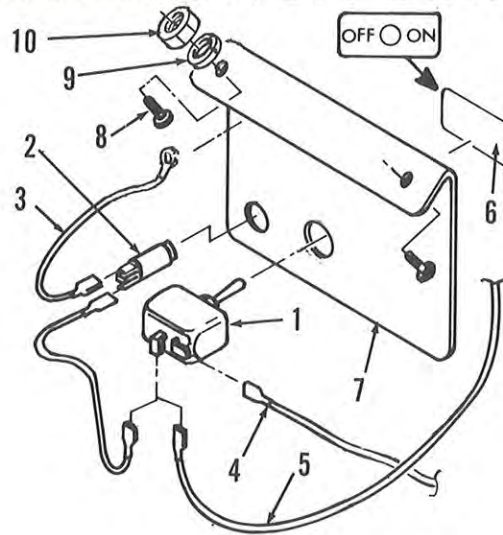
ITEM	PART NO.	DESCRIPTION	QTY.	ITEM	PART NO.	DESCRIPTION	QTY
1	0400146	Screw, 3/8"-16 x 2-1/4" Hex Hd.	6	34	0400260	Screw, 5/8"-11 x 2" Hex Hd.	4
2	0400392	Nut, 3/8"-16 Nylok	7	35	0800628	Wheel Lift Frame	1
3	0301382	Bushing	6	36	0301197	Ball Detent Spring	1
4	0300113	Grease Fitting	9	37	0301398	Steel Ball	1
5	0400252	Screw, 5/8"-11 x 1-1/2"	4	38	0800598	Left Outer Cross Tube	1
6	0301397	Grease Fitting 90°	4	39	0400153	Screw, 3/8"-16 x 2-3/4" Carriage Hd.	2
7	0701941	Spacer Plate	4	40	0800637	Left Tire Restraint	1
8	0400421	Nut, 5/8"-11 Nylok	8	41	0400480	Washer, Flat 3/8"	2
9	0400452	Lockwasher, 1/4"	1	42	0800583	Tie Down Pivot	2
10	0400060	Screw, 1/4"-20 x 1/2" Hex Hd.	1	43	0400390	Nut, 3/8"-16 Esllok Jam	2
11	0800688	Inner Boom	1	44	0301399	Tie Down Ratchet, Strap, Nut, Screw	2
12	0800691	Outer Boom	1	45	0400147	Screw, 3/8"-24 x 5/8" Hex Hd.	4
13	0701904	Pivot Arm Shaft	2	46	0800590	Tee Handle	2
14	0702138	Pivot Arm Shaft	2	47	0701917	Stop Plate & Pressure Pad	2
15	0400481	Lockwasher, 3/8"	4	48	0301383	Bushing	2
16	0702132	Extension Cyl. Shaft	1	49	0301486	Snap Ring, 3"	1
17	0400551	Roll Pin, 3/8" x 3/4"	4	50	0702141	Cross Tube Pivot Shaft	1
18	0702129	Spacer Plate	1	51	0400511	Lockwasher, 3/4"	1
19	0702130	Slide Pad	1	52	0400139	Set Screw	1
20	0702122	Shim Plate	2	53	0301534	Extend Cylinder	1
21	0400560	Roll Pin, 5/32" x 1"	2	54	0800636	Right Tire Restraint	1
22	0301530	Bushing	1	55	0800723	Inner Cross Bar	1
23	0400559	Roll Pin, 3/16" x 1"	2	56	0701905	Pivot Arm Shaft	1
24	0702131	Extension Cyl. Shaft	1	57	0301487	Hose Clamp	2
25	0300341	Knob	2	58	0301381	3/4" Snap Ring	2
26	0400393	Nut, 3/8"-16 Jam	2	59	0800626	Torque Tube	1
27	0800589	Plunger Handle	2	60	0701902	Torque Tube Bearing Block	2
28	0301417	Plunger Spring	2	61	0400491	Lockwasher, 1/2"	8
29	0701916	Plunger Pin	2	62	0400192	Screw, 1/2"-20 x 1-3/4" Soc. Hd.	8
30	0400293	Screw, 3/4"-10 x 6" Hex Hd.	1	63	0701950	Lift Cylinder Pivot Shaft	1
31	0800599	Right Outer Cross Tube	1	64	0400506	Washer, 5/8" Flat	4
32	0800716	Tow Hitch Bracket	1				
33	0800627	Upper Pivot Arm	2				



WHEEL LIFT HYDRAULICS

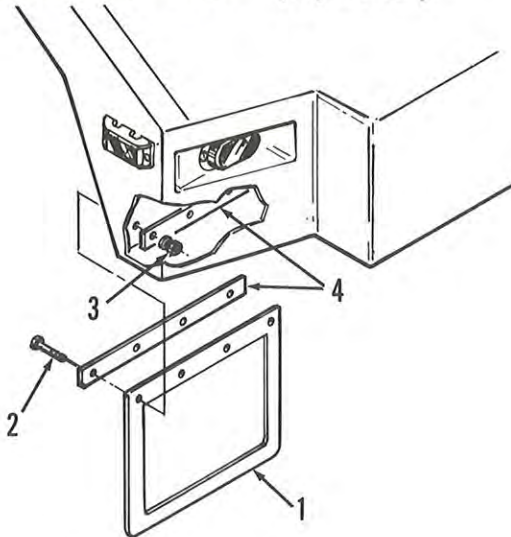
ITEM	PART NO.	DESCRIPTION	QTY	ITEM	PART NO.	DESCRIPTION	QTY
1	0301465	Electro-Hydraulic Power Unit	1	22	0301539	Extension Cylinder	1
9	0301500	Hose, Lift Cylinder	2	23	0301522	Male Connector 3/8" SAE x 3/8" JIC	2
10	0301501	Hose, Extension Cylinder	2	24	0300142	90° Elbow 3/8" JIC x 1/4" NPT	5
11	0400064	Screw, 1/4"-20 x 2-1/4" Rd. Slotted Hd.	2	25	0301412	Hose, Holding Valve	1
12	0400066	Screw, 1/4"-20 x 3/4" Hex Hd.	4	26	0301484	Lift Cylinder	1
13	0301487	Insulated Hose Clamp	4	27	0301427	Holding Valve Hose	1
14	0701958	Hose Mounting Bracket	1	28	0301424	Male Connector 1/4" NPT x 3/8" JIC	1
15	0400367	Nut, 1/4"-20 Nylok	4	29	0300206	Branch Tee 1/4" NPT	1
16	0300203	Holding Valve	1	30	0300209	90° Elbow 3/8" NPT x 3/8" JIC	1
17	0300209	90° Elbow, 3/8" JIC x 3/8" NPT	1	31	0400452	Lockwasher, 1/4"	2
18	0701959	Valve Mounting Bracket	1	32	0400366	Nut, 1/4"-20	2
19	0300133	Clamp, Holding Valve Retaining	1				
20	0300113	Grease Fitting	2				

MASTER ON/OFF SWITCH



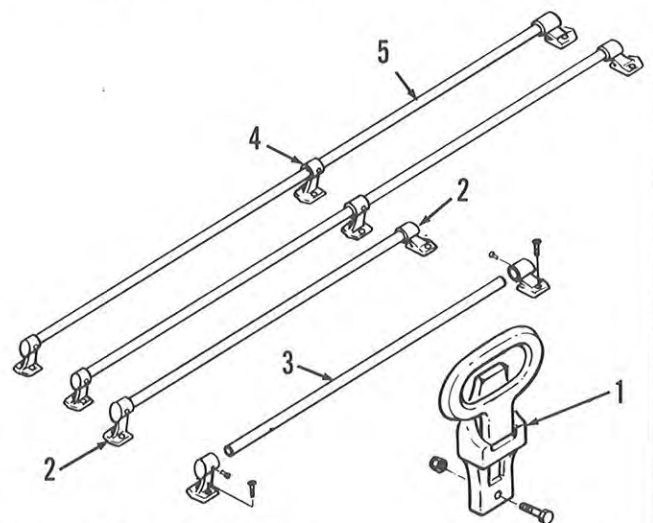
ITEM	PART NO.	DESCRIPTION	QTY.
1	0300602	Toggle Switch	1
2	0301347	Light, Red	1
3	0301495	Ground Wire	1
4	0301498	Hot Wire (Fused)	1
5	0301497	Hot Wire (From Hand Control)	1
6	0500181	Decal, On/Off	1
7	0702227	Switch Panel	1
8	0400043	Screw #10 - 24 x 1"	2
9	0400520	Lockwasher, #10	2
10	0400356	Nut #10-24	2

MUDFLAPS (Optional)



ITEM	PART NO.	DESCRIPTION	QTY.
1	0301518	Mudflap	2
2	0400126	Screw, Hex Hd.	8
3	0400392	Nut, Hex	8
4	0702210	Bar - Mudflap Mtg.	4

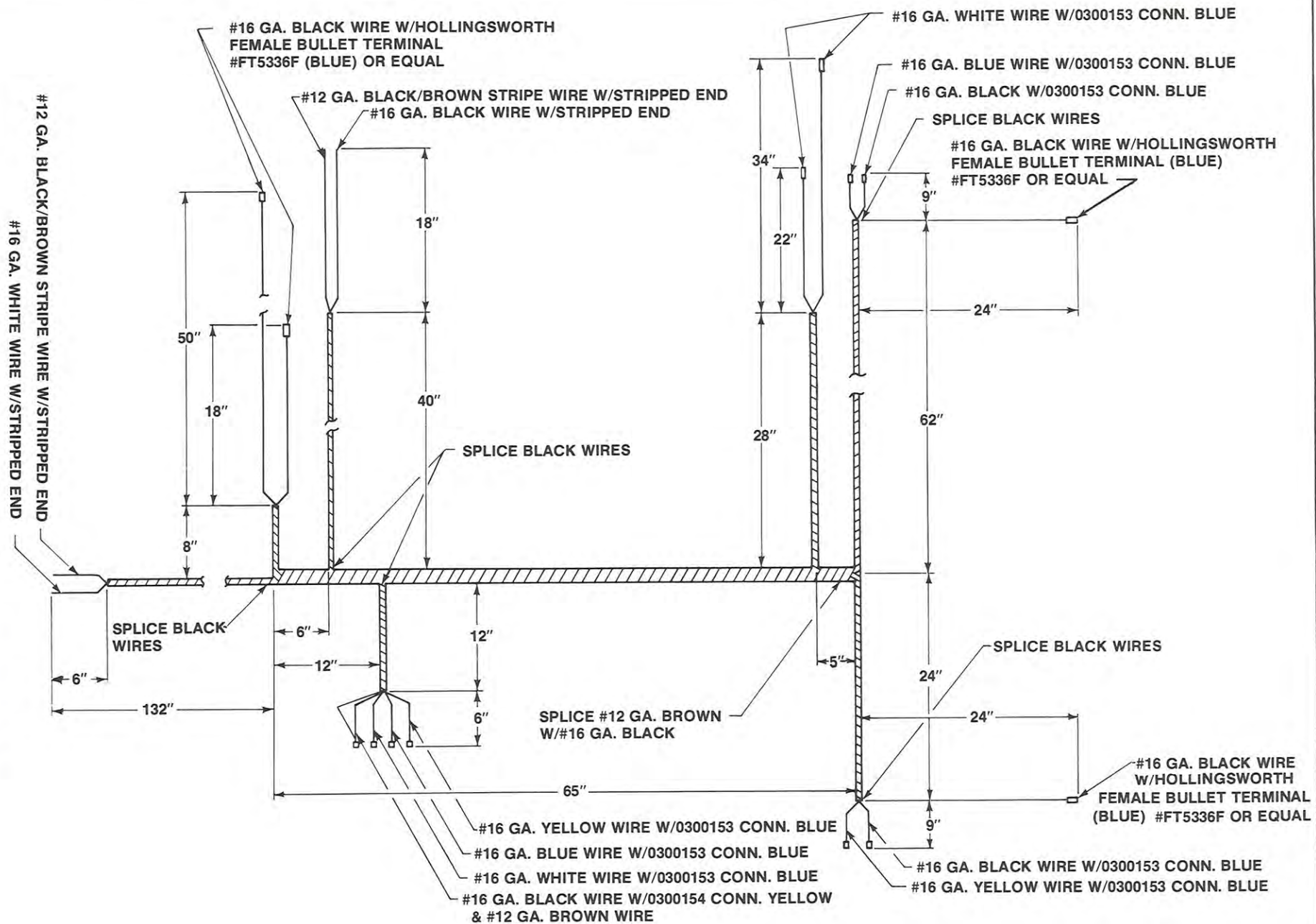
CONVENIENCE GROUP



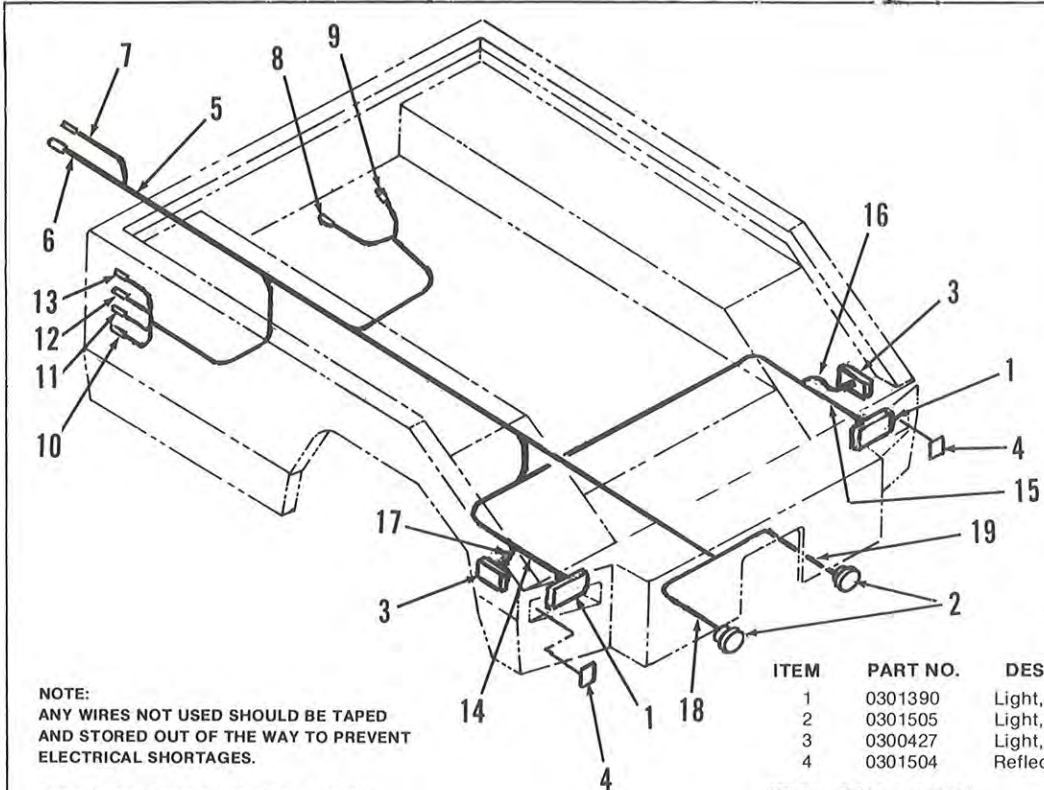
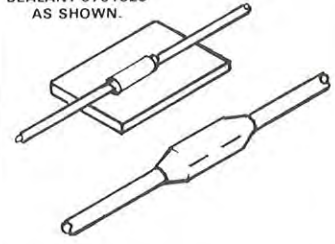
ITEM	PART NO.	DESCRIPTION	QTY.
1	0300097	Boarding Step-Chrome	2
2	0300118	Stanchions - End	8
3	0300120	Tubing - Grabrail (12")	2
4	0300496	Stanchion - Center	2
5	0701940	Tubing - Handrail	2
6	0900534	Hdw. Kit - Conv. Group	1

METRO 1 BODY WIRING HARNESS

(0301538)



WRAP ALL CONNECTIONS AND SPLICES WITH SEALANT 0701329 AS SHOWN.



LIGHT KIT

NOTE:
ANY WIRES NOT USED SHOULD BE TAPED AND STORED OUT OF THE WAY TO PREVENT ELECTRICAL SHORTAGES.

ANY EXCESS WIRE SHOULD BE FOLDED, BOUND, AND STORED OUT OF THE WAY.

ITEM	PART NO.	DESCRIPTION	QTY.
1	0301390	Light, Stop & Turn Light, Complete	2
2	0301505	Light, Back-up Complete	2
3	0300427	Light, Marker Red, Complete	2
4	0301504	Reflector-Red Reflex	2

ITEM	DESCRIPTION	WIRE COLOR
5	Wiring Harness	
6	Switch Panel (Aux.)	White
7	Switch Panel (Floodlights)	Blk./Brown
8	Floodlights	Brown
9	Light, License Plate	Blk.
10	Stop & Turn, R.H.	Blue
11	Stop & Turn, L.H.	Yellow
12	Tail Light	Blk.
13	Back-Up Light	White
14	Stop & Turn, L.H.	Yellow
15	Stop & Turn, R.H.	Blue
16	Side Marker, R.H.	Blk.
17	Side Marker, L.H.	Blk.
18	Back-Up Light, L.H.	White
19	Back-Up Light, R.H.	White

1 STOP & TURN LIGHT

1	Bezel Mtg. Screw, Stop & Turn Light	0304123
2	Chrome Bezel, Stop & Turn Light	0304124
3	Lens Ass'y., Stop & Turn Light	0304125
4	Bulb, Stop & Turn Light	0300498
5	Light Socket, Stop & Turn Light	0304126
6	Rubber Mtg. Grommet, Stop & Turn Light	0304127
7	Light, Stop & Turn Light Complete	0301390

3 MARKER LIGHT, RED

1.	Light, Marker Red - Complete	0300427
2.	Housing, Marker Light - Red	0300506
3.	Bulb, Market Light	0300507
4.	Lens, Marker Light - Red	0400508

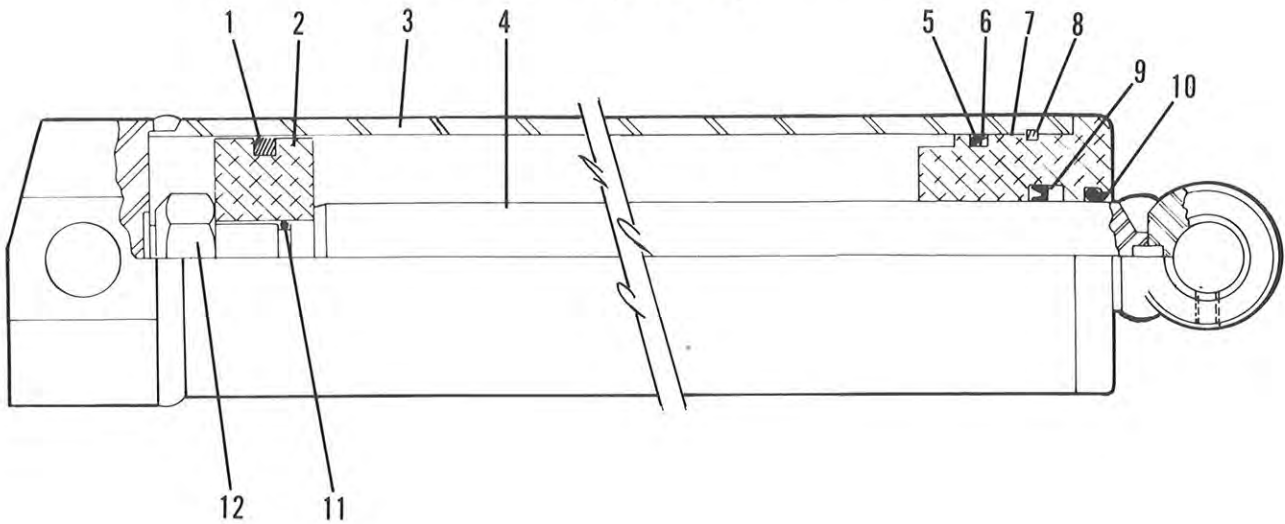
2 BACK-UP LIGHT

1	Housing, Back-Up Light	0304147
2	Bulb, Back-Up Light	0304152
3	Pivot Screw, Back-Up Light	0304151
4	Pivot Screw Lockwasher, Back-Up Light	0304150
5	Pivot Screw Nut, Back-Up Light	0304153
6	Mtg. Screw Lockwasher, Back-Up Light	0304150
7	Mtg. Screw Nut, Back-Up Light	0304153
8	Light, Back-Up Complete	0301505
9	Mounting Bracket	0304148
10	Mounting Screw, Back-Up Light	0304149

4 REFLEX REFLECTOR — RED (0301504)

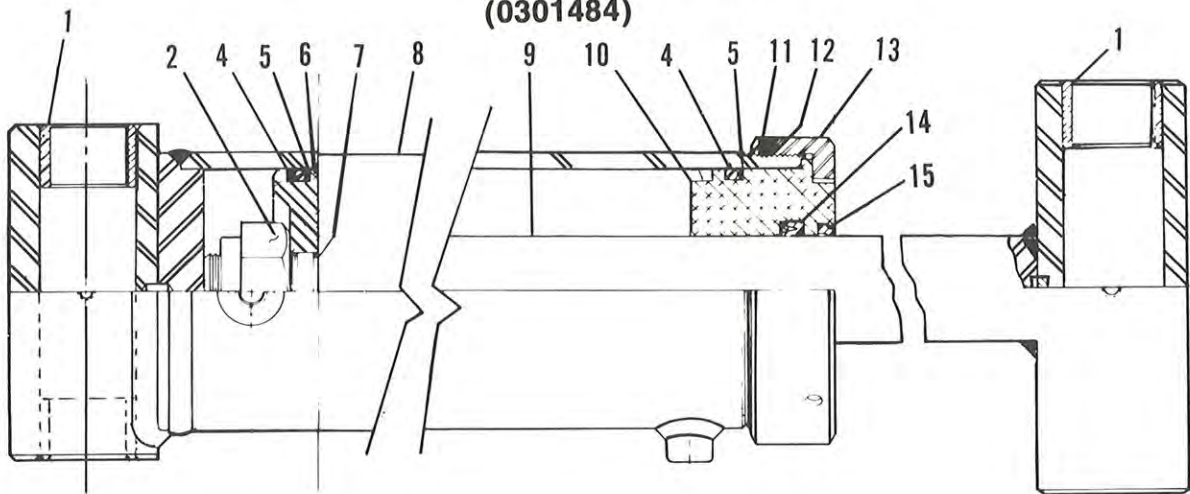
EXTEND CYLINDER

(0301539)



LIFT CYLINDER

(0301484)



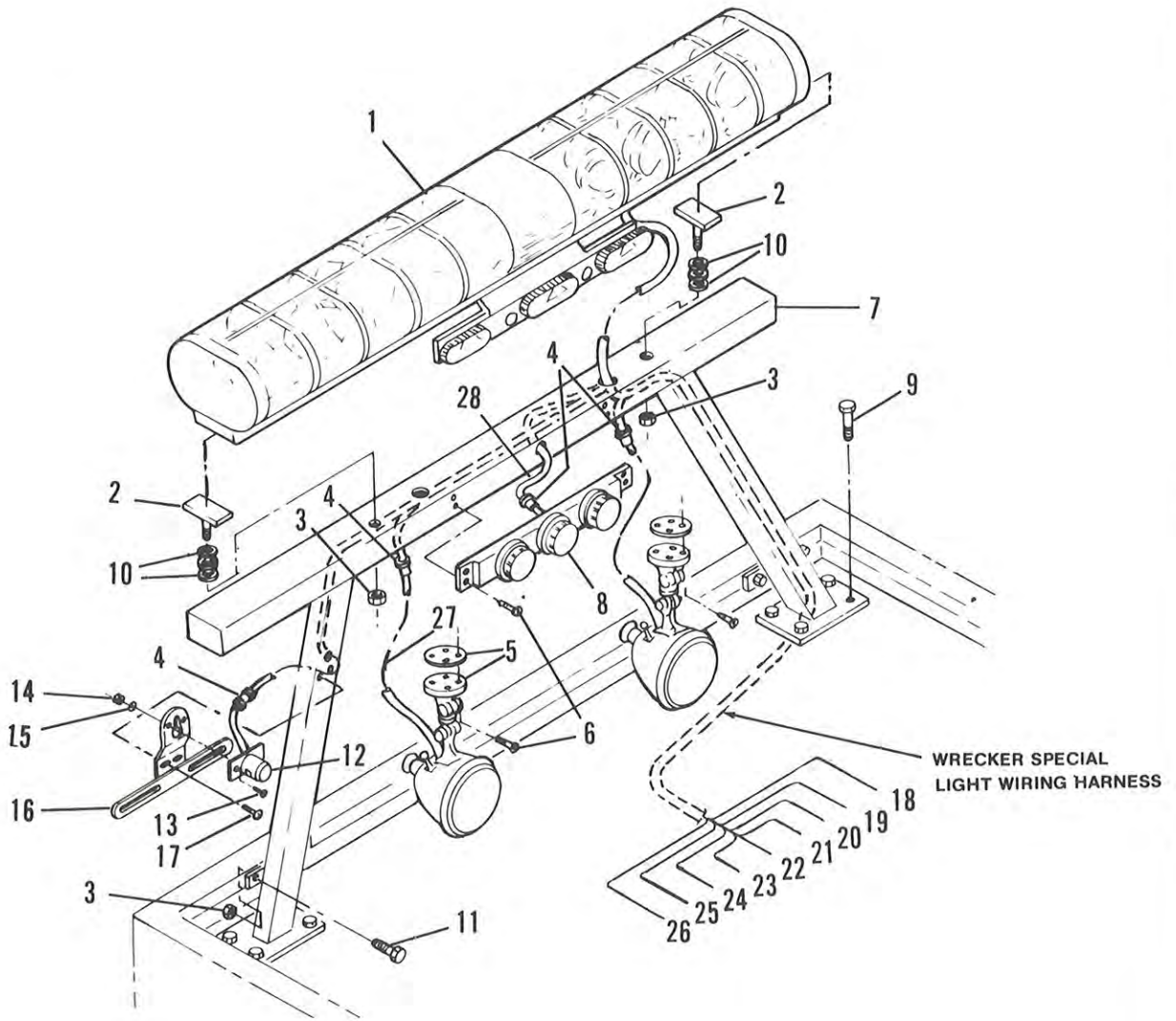
EXTEND CYLINDER

(0301539)

LIFT CYLINDER

(0301484)

ITEM	PART NO.	DESCRIPTION	QTY.	ITEM	PART NO.	DESCRIPTION	QTY.
1	Seal Kit	Crown Seal	1	1	0304096	Bronze Bushing	4
2	0304145	Piston	1	2	0304097	Lock Nut	1
3	0304144	Tube Ass'y.	1	3	0304087	Seal Kit	1
4	0304143	Rod Ass'y.	1	4	Seal Kit	O-Ring	2
5	Seal Kit	O Ring	1	5	Seal Kit	Back-Up	3
6	Seal Kit	Back-Up	1	6	0304098	Piston	1
7	0304110	Head	1	7	Seal Kit	O-Ring	1
8	0304109	Retaining Ring	1	8	0304099	Tube Ass'y.	1
9	Seal Kit	U-Cup		9	0304129	Rod Ass'y.	1
10	Seal Kit	Wiper		10	0304101	Head	1
11	Seal Kit	O Ring		11	0304102	Set Screw	1
12	0304105	Locknut	1	12	0304103	Nylon Plug	1
13	0304146	Seal Kit	1	13	0304104	Head Cap	1
				14	Seal Kit	U-Cup Polypack	1
				15	Seal Kit	Wiper	1

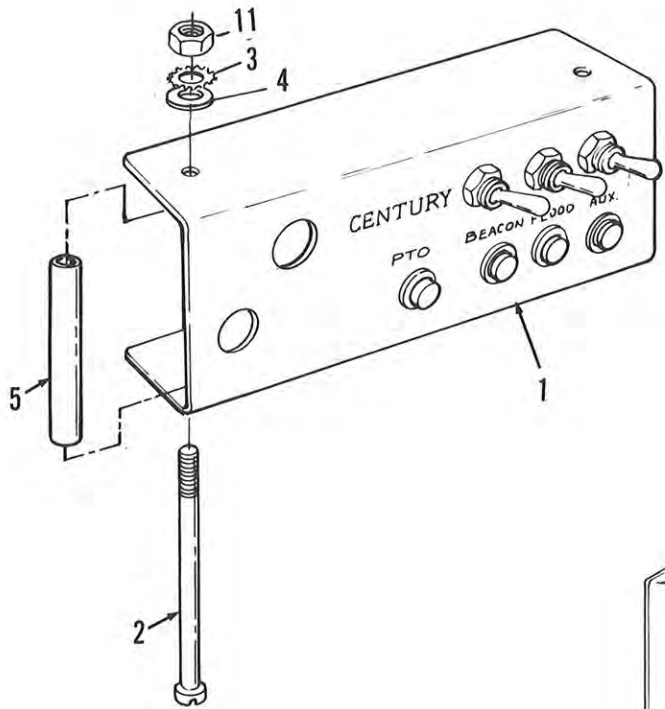


OPTIONAL LIGHTING ACCESSORIES

ITEM	PART NO.	DESCRIPTION	QTY.	ITEM	DESCRIPTION
1	0301359	Wrecker Special Light	1	18	GRAY: Not Connected
2	0800539	"T" Bolt Adapter	2	19	BROWN w/WHITE STRIP: Not Connected
3	0400392	Nut, 3/8"-16 Hex Hd. Nylok	6	20	BLUE: Flashing Lights. Connect to Red Wire. Make into one wire and run to beacon switch on panel.
4	0300117	Rubber Grommet	4	21	RED: Rotating Lights. Connect to Blue Wire on Light Harness
5	0300095	Spotlight w/Gasket	2	22	BROWN: Tail Lights. Connect to Black Wire on body wiring harness.
6	0400027	Screw, #8-32 x 5/8" Self Tapping	12	23	ORANGE: Flood Lights. Connect to Brown Wire on body wiring harness.
7	0800569	Light Bar for Wrecker	1	24	BLACK: Ground. Connect a solid ground on chassis or body.
8	0300442	3 Bar Light	1	25	GREEN: Right Turn & Stop. Connect to Blue Wire on body wiring harness.
9	0400122	Screw, 3/8"-16 x 1-1/4" Hex Hd.	8	26	YELLOW: Left Turn & Stop. Connect to Yellow Wire on body wiring harness.
10	0400480	Flat Washer, 3/8"	6	27	BLACK: Spotlights. Connect to Brown Wire on body wiring harness.
11	0400126	Screw 3/8"-16 x 1" Hex Hd.	4	28	BLACK: 3-Bar Light. Connect to Black Wire on body wiring harness.
12	0300273	License Plate Illuminator	1		
13	0400061	Screw 1/4"-20 x 3/4" Pan Hd.	2		
14	0400366	Nut 1/4"-20 Plain	2		
15	0400452	Lockwasher 1/4"	2		
16	0300076	License Plate Holder	1		
17	0400062	Screw 1/4"-20 x 3/4" Thread Cut. Hex Hd	2		

OPTIONAL LIGHTING ACCESSORIES

1. Locate switch panel in desired position under dash of truck and mount per separate instructions furnished with switch panel.
2. Connect wires to proper switches as shown in Fig. 2.

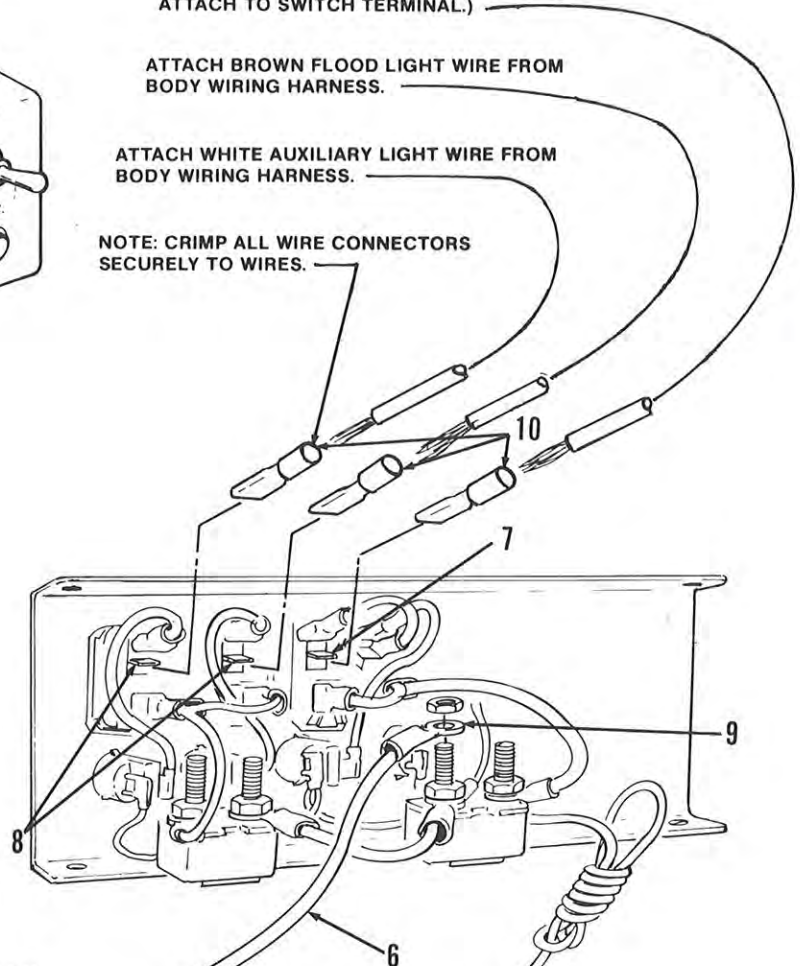


ATTACH BEACON WIRE FROM BEACON (IF A WRECKER SPECIAL LIGHT IS USED, CONNECT THE BLUE AND RED WIRES TOGETHER AND ATTACH TO SWITCH TERMINAL.)

ATTACH BROWN FLOOD LIGHT WIRE FROM BODY WIRING HARNESS.

ATTACH WHITE AUXILIARY LIGHT WIRE FROM BODY WIRING HARNESS.

NOTE: CRIMP ALL WIRE CONNECTORS SECURELY TO WIRES.

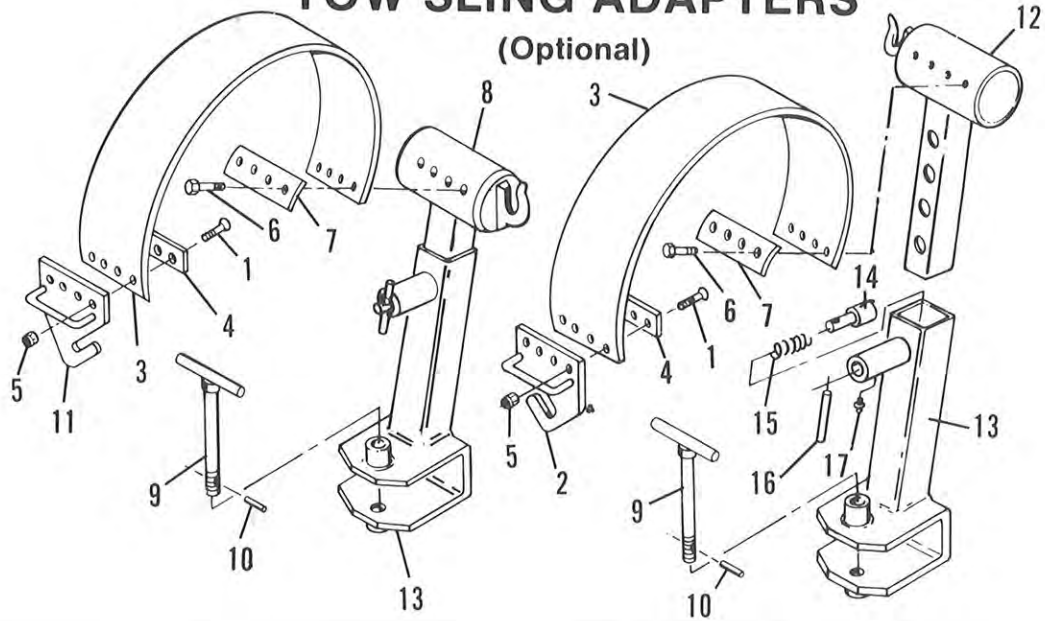


CONNECT #10 GAUGE HOT WIRE FROM JUNCTION CONNECTOR ON LEFT HAND FIREWALL (UNDER HOOD), TO POST THAT HAS A RED DOT ON TOP.

GROUND TO DASH (GREEN WIRE)

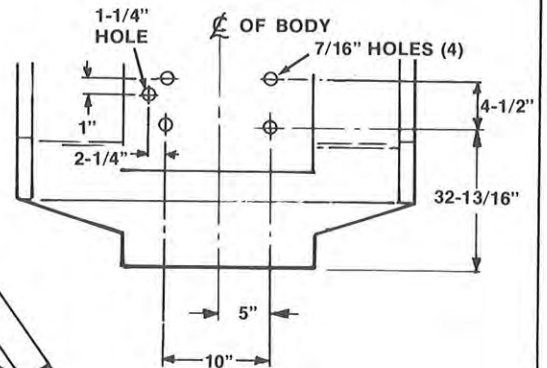
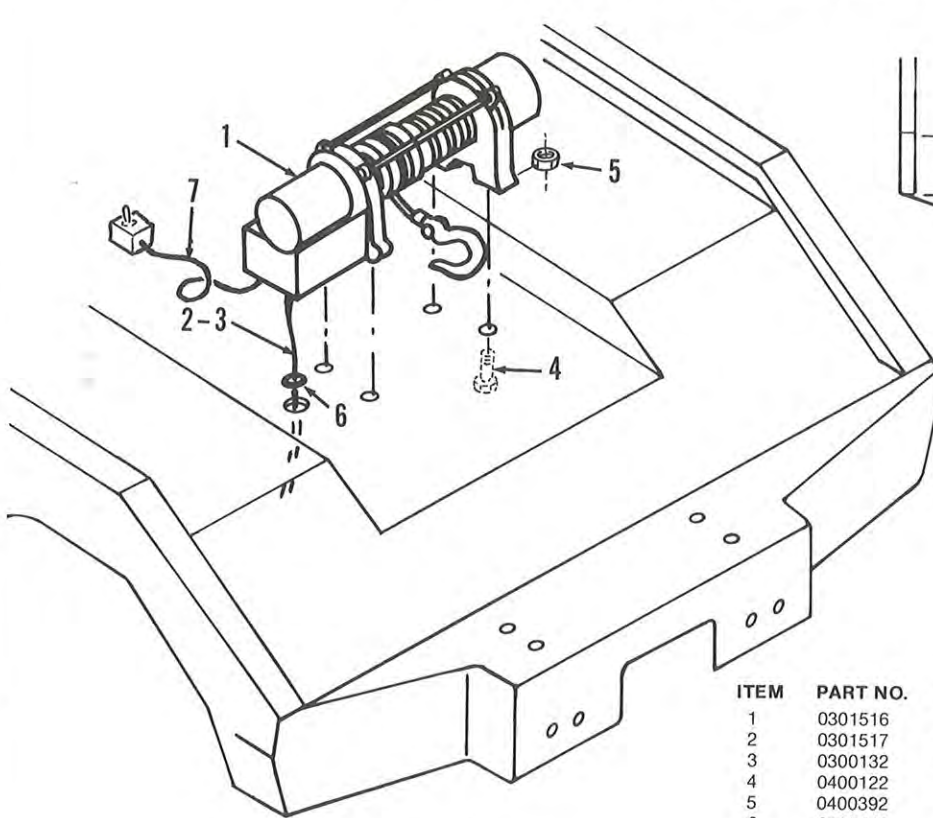
ITEM	PART NO.	DESCRIPTION	QTY.
1	0304155	Switch Panel Housing	1
2	0304156	Mtg Screw #10-32 x 3-3/8	2
3	0304157	Lockwasher, #10 Ext. Tooth	2
4	0304158	Flat Washer, #10	2
5	0304159	Spacer Tube	2
6	0304162	Circuit Breaker, 40 amp	2
7	0304154	Switch, Double Pole, Single Throw	1
8	0304006	Switch, Single Pole, Single Throw	2
9	0301503	Ring Connector	1
10	0304165	Spade Connector	3
11	0304166	Nut, 10-32	2

TOW SLING ADAPTERS



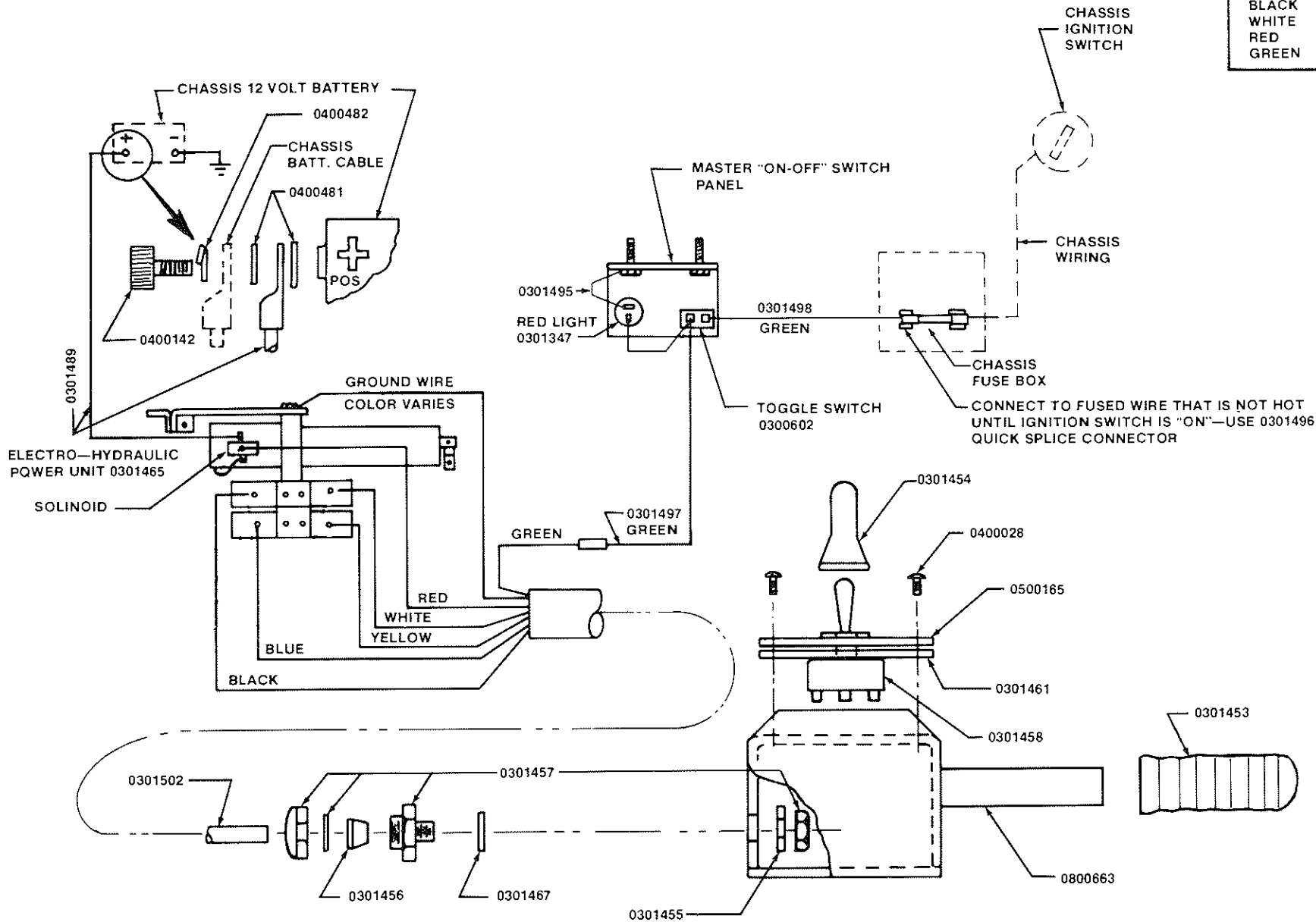
ITEM	PART NO.	DESCRIPTION	QTY.	*ITEM	PART NO.	DESCRIPTION	QTY.
1	0400156	Screw 3/8"-16 x 1-1/4" Flat Hd. Soc.	8	10	0400552	Roll Pin, 3/32" x 3/4" Plated	2
2	0800608	Chain Keeper, Left	1	11	0800609	Chain Keeper, Right	1
3	0701919	Tow Sling Belt	2	12	0800692	Inner Adjustment Tube Left	1
4	0701920	Grip Plate	2	13	0800695	Mounting Bracket	2
5	0400392	Nut, 1/8"-16 Nylok	8	14	0700154	Pin, Plunger	2
6	0400105	Screw, 5/16"-18 x 1-1/4" Self-Tapping	8	15	0300004	Spring, Plunger	2
7	0701921	Belt Retainer	2	16	0400568	Roll Pin	2
8	0800693	Inner Adjustment Tube, Right	1	17	0300113	Grease Fitting	2
9	0800605	Tie Down Bolt	2				

ELECTRIC WINCH (Optional)



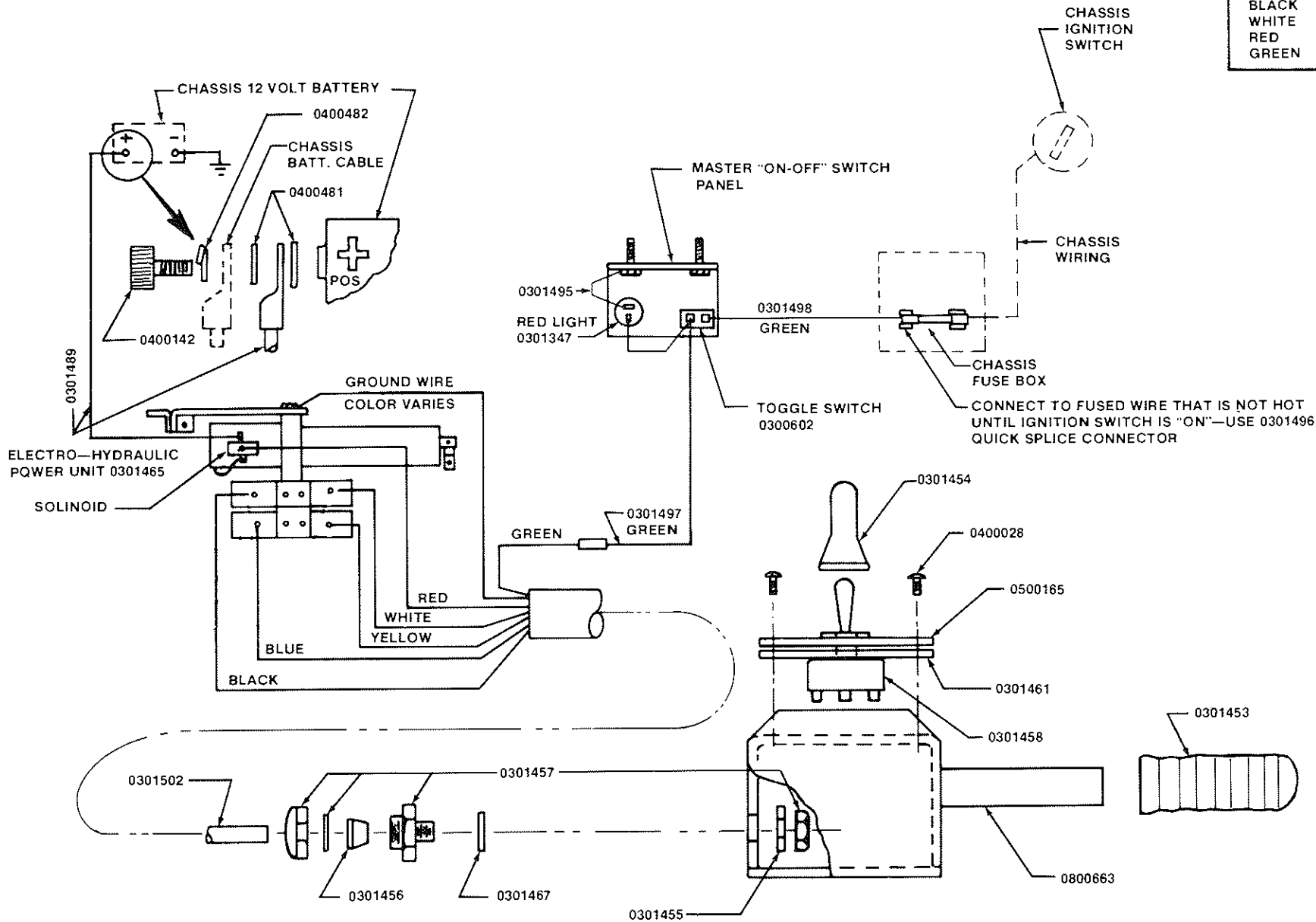
ITEM	PART NO.	DESCRIPTION	QTY.
1	0301516	Winch, Electric	1
2	0301517	Power Cable	1
3	0300132	Cable Ties	8
4	0400122	Screw	4
5	0400392	Nut	4
6	0702243	Grommet	1
7	0304174	Hand Controls	1

LEGEND	
WIRE COLOR	FUNCTION
BLUE	"IN"
YELLOW	"OUT"
BLACK	"UP"
WHITE	"DOWN"
RED	"MOTOR ON"
GREEN	"HOT"

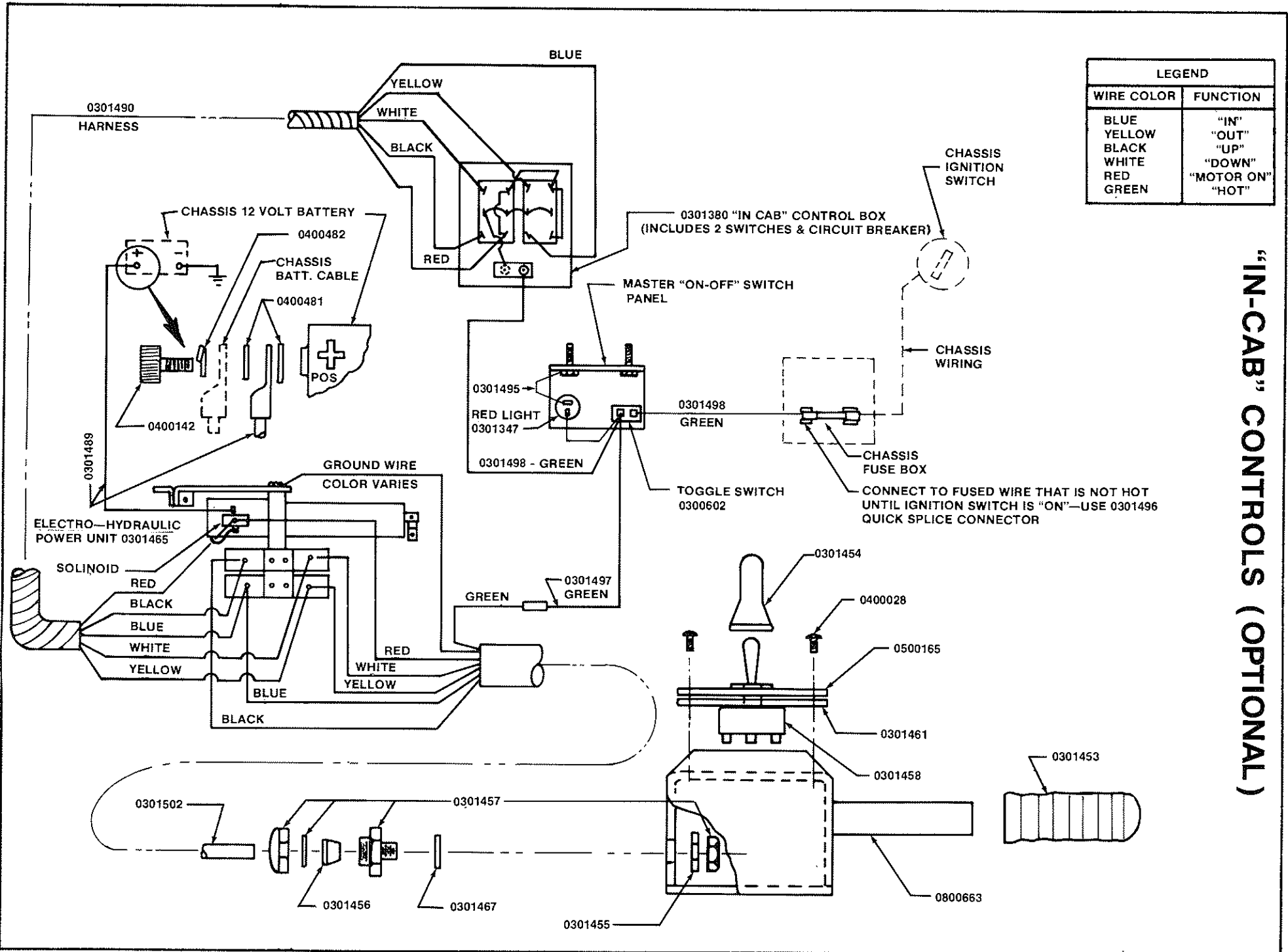


ELECTRICAL CONTROLS

LEGEND	
WIRE COLOR	FUNCTION
BLUE	"IN"
YELLOW	"OUT"
BLACK	"UP"
WHITE	"DOWN"
RED	"MOTOR ON"
GREEN	"HOT"

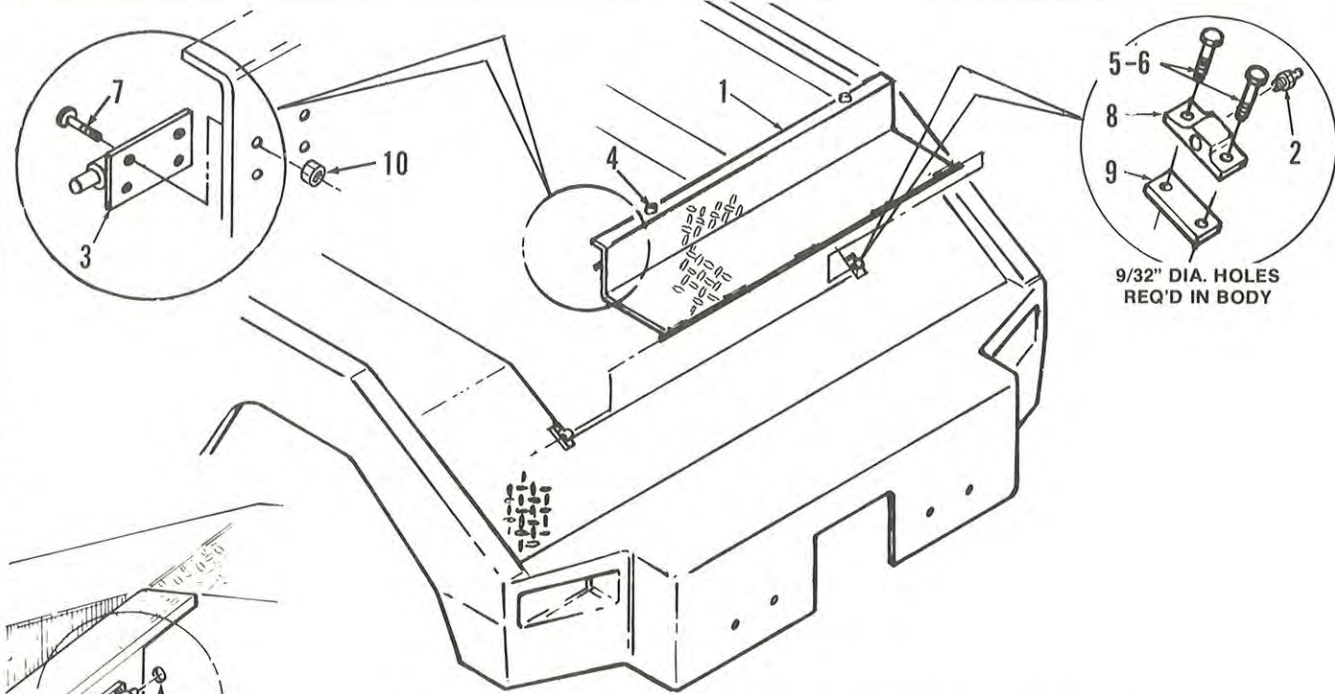


ELECTRICAL CONTROLS



LEGEND	
WIRE COLOR	FUNCTION
BLUE	"IN"
YELLOW	"OUT"
BLACK	"UP"
WHITE	"DOWN"
RED	"MOTOR ON"
GREEN	"HOT"

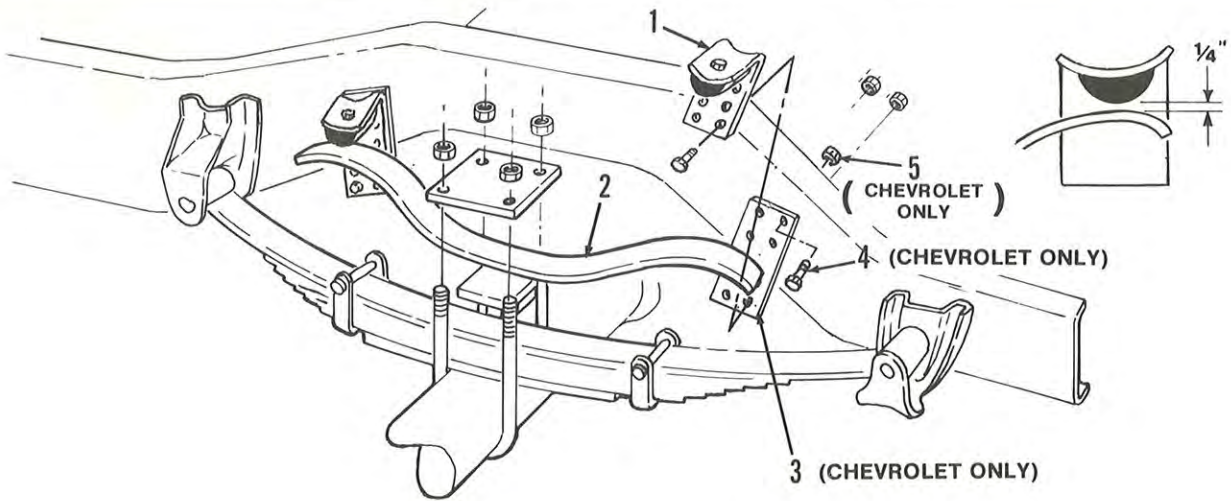
"IN-CAB" CONTROLS (OPTIONAL)



FOLD DOWN TAILGATE (Optional)

AFTER INSTALLATION OF TAILGATE, DRILL 3/8" HOLES TO ACCOMADATE LATCH.

1	0800704	Door Weldment - Tailgate	1
2	0300113	Grease Fitting	2
3	0301521	Barrel Bolt Door Latch	2
4	0301526	Rubber Bumper	2
5	0400070	Screw	4
6	0400367	Hex Nut	4
7	0400021	Screw 8 - 32 x 1/2	8
8	0700963	Pivot Block Hinge	2
9	0702189	Hinge Spacer	2
10	0400351	Nut	8



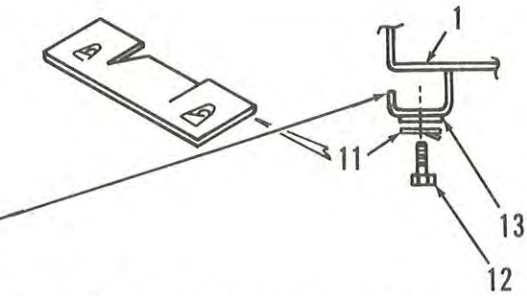
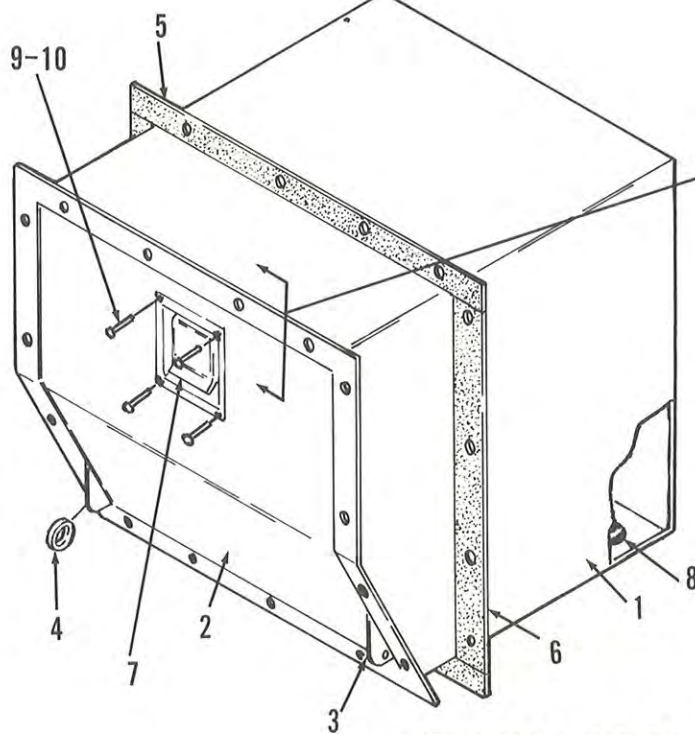
OVERLOAD SPRINGS (Optional)

CHEVROLET PACKAGE #0900631

ITEM	PART NO.	DESCRIPTION	QTY.
1	0301513	Bracket Kit with Mounting Hardware	1
2	0301514	Overload Kit with Mounting Hardware	1
3	0702269	Plate, Mounting (Chevrolet Only)	2
4	0400132	Screw, 3/8" - 16 x 1-1/2" Hex. Hd.	16
5	0400392	Nut, Lock 3/8" - 16	16

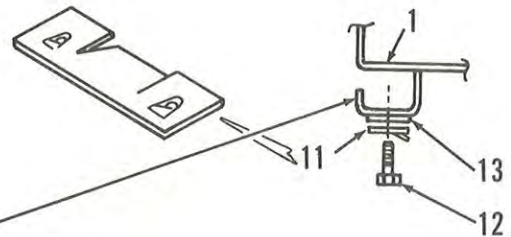
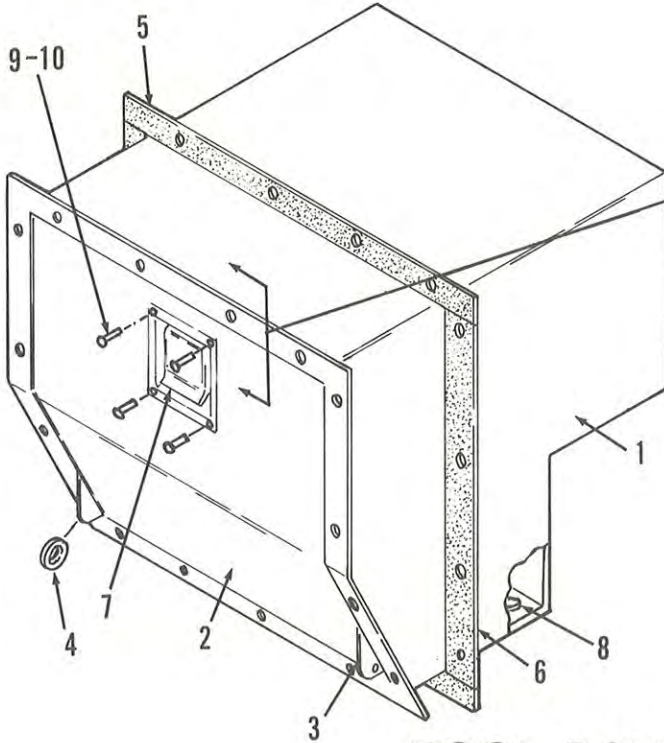
FORD PACKAGE #0900630

ITEM	PART NO.	DESCRIPTION	QTY.
1	0301513	Bracket Kit with Mounting Hardware	1
2	0301515	Overload Kit with Mounting Hardware	1



ITEM	PART NO.	DESCRIPTION	QTY.
1	0800707	Body Tool Box	1
2	0800638	Door	1
3	0701980	Hinge	2
4	0400463	Washer	2
5	0701108	Sponge	2
6	0701109	Sponge	2
7	0300027	Latch	1
8	0300032	Plug - 1" Dia. Hole	1
9	0400021	Screw #8 - 32 x 1/2"	4
10	0400351	Nut #8-32	4
11	0300028	Striker Plate	1
12	0400045	Screw #10 - 32 x 1/2"	2
13	0701675	Spacer, Striker	2

TOOL COMPARTMENT (OPTIONAL)

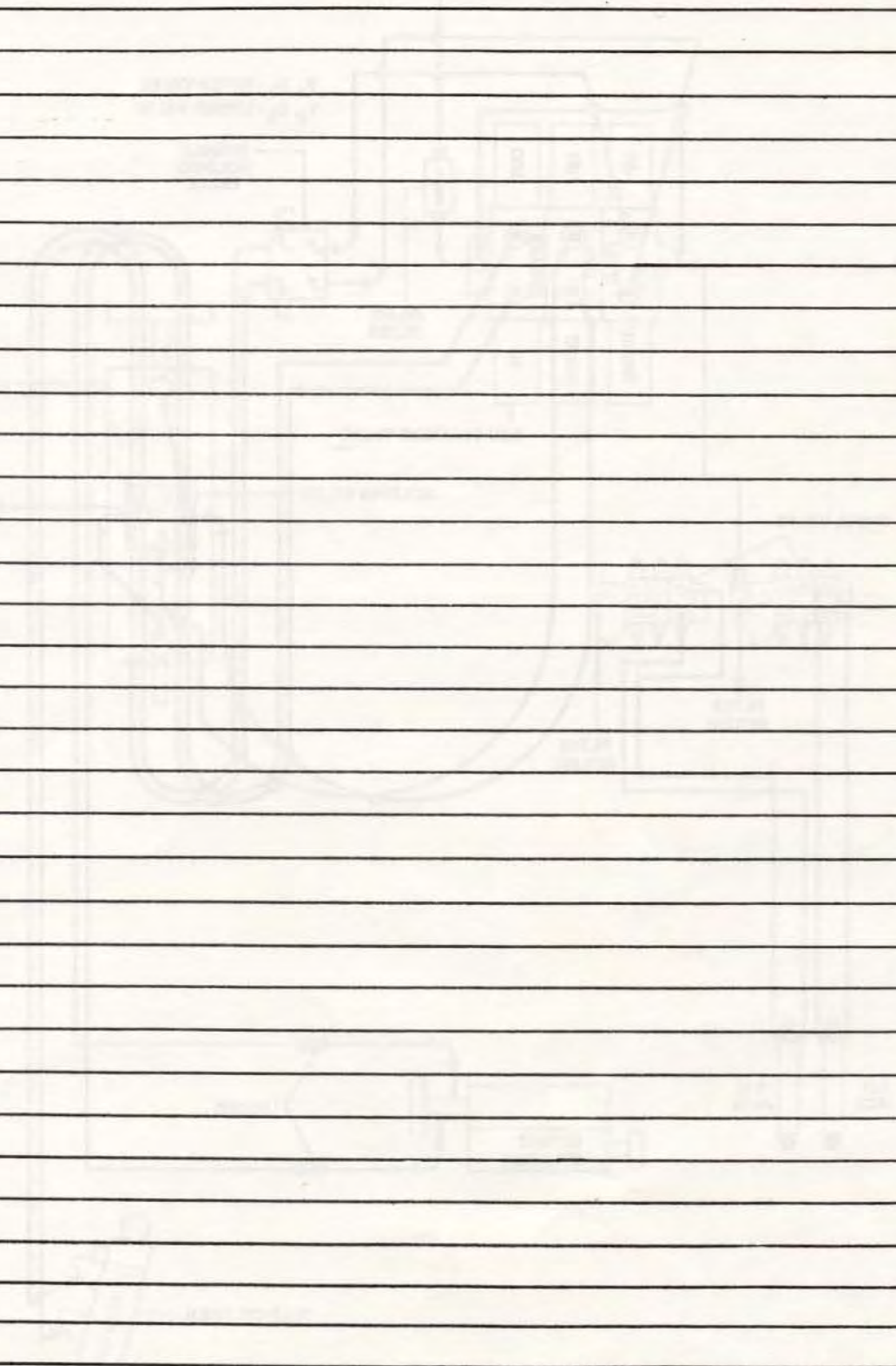


ITEM	PART NO.	DESCRIPTION	QTY.
1	0800706	Body Tool Box	1
2	0800638	Door	1
3	0701980	Hinge	2
4	0400463	Washer	2
5	0701108	Sponge	2
6	0701109	Sponge	2
7	0300027	Latch	1
8	0300032	Plug - 1" Dia. Hole	1
9	0400021	Screw #8-32 x 1/2	4
10	0400351	Nut #8-32	4
11	0300028	Striker Plate	4
12	0400045	Screw #10-32 x 1/2	2
13	0701675	Spacer, Striker	2

TOOL COMPARTMENT WITH OFFSET (OPTIONAL)

NOTES

A series of horizontal lines for writing notes, with a faint background diagram of a mechanical system.



**CENTURY®
WRECKER
CORPORATION**

I-75 at Ooltewah Exit #11 • 8503 Hilltop Drive • Ooltewah, Tennessee 37363 ☎ 615-238-4171
Mailing Address: P.O. Box 120 • Ooltewah, Tennessee 37363