

CENTURY®

LEGENDARY LEADERSHIP



OWNER'S MANUAL

16 SERIES LCG CARRIERS

INSTALLATION, OPERATION, MAINTENANCE & PARTS

NOTE: MANUAL including SPECIFICATIONS, subject to change without notice
All ratings specified are based on structural factors only,
not vehicle capacities or capabilities.

CENTURY®

Miller Industries Towing Equipment Inc.
8503 Hilltop Drive
Ooltewah, Tennessee 37363

FORM NO. 0540008

Phone (423) 238-4171 • FAX (423) 238-5371

8/09
PRICE \$25.00

LIMITED WARRANTY

MILLER INDUSTRIES TOWING EQUIPMENT INC., hereinafter referred to as MILLER, warrants to the original purchaser that each new MILLER Carrier will be free from defects in material and workmanship for a period of one (1) year from the date of purchase. The purchaser must promptly notify MILLER in writing of any failure in material or workmanship. In no event shall such notification be received by MILLER later than thirteen (13) months from date of delivery.

The obligation under this warranty, statutory or otherwise, is limited to the repair or replacement at our factory, or at a point designated by us, of such part or parts as shall appear to us upon inspection to be defective in material or workmanship. New or remanufactured parts will be used for any replacement.

This warranty does not obligate MILLER to bear the cost of labor or transportation charges in connection with the replacement or repair of any parts found to be defective, nor shall it apply to a product upon which repairs or alterations have been made unless authorized by us.

MILLER shall in no event be liable for any incidental or consequential damages or contingent arising out of the failure of any parts or products to operate properly. NO IMPLIED, EXPRESS, OR STATUTORY WARRANTY OTHER THAN STATED HEREIN IS MADE OR AUTHORIZED TO BE MADE BY OR FOR US, INCLUDING, BUT NOT LIMITED TO, THE IMPLIED WARRANTIES OF MERCHANTABILITY AND FITNESS FOR A PARTICULAR PURPOSE.

MILLER makes no warranty, express or implied, as to finished products manufactured or supplied by another manufacturer or supplier by MILLER to purchaser, including, but not limited to, any vehicle to which a MILLER product may be affixed or accessories or wire rope (cable), and expressly disclaims any implied warranties of merchantability or fitness for a particular purpose as to such equipment or products. This language shall in no way affect or diminish the rights of purchaser to rely on such warranties as are extended by such manufacturers or suppliers.

MILLER, whose policy is one of continuous improvement, reserves the right to improve its product through changes in design or materials as it may deem desirable without being obligated to incorporate such changes in products of prior manufacture.

IT IS EXPRESSLY UNDERSTOOD THAT THERE IS NO IMPLIED WARRANTY THAT MILLER CARRIERS SHALL BE FIT FOR THE PURPOSE OF LIFTING OR MOVING PERSONS OR OTHER IMPROPER USE. THIS WARRANTY IS NOT TRANSFERABLE.



Miller Industries Towing Equipment Inc.
8503 Hilltop Drive
Ooltewah, Tennessee 37363
Telephone (423) 238-4171

SERIAL NUMBER

Section VI - PARTS

This Section is provided by the manufacturer for the purpose of ordering any component part of the **16 Series LCG Carrier** that may be required when part replacement is necessary. Be certain to use only original equipment replacement parts for warranty purposes as well as for keeping your **16 Series LCG Carrier** in its original state and optimum operating capacities.

When ordering replacement or spare parts be sure to provide the following information to your carrier manufacturer authorized representative.

1. **Manual Number & Date of Publication**
2. **Manual Page Number**
3. **Page Title**
4. **Reference Number of Part Desired**
5. **Part Number**
6. **Part Description**
7. **Quantity of Part Desired**

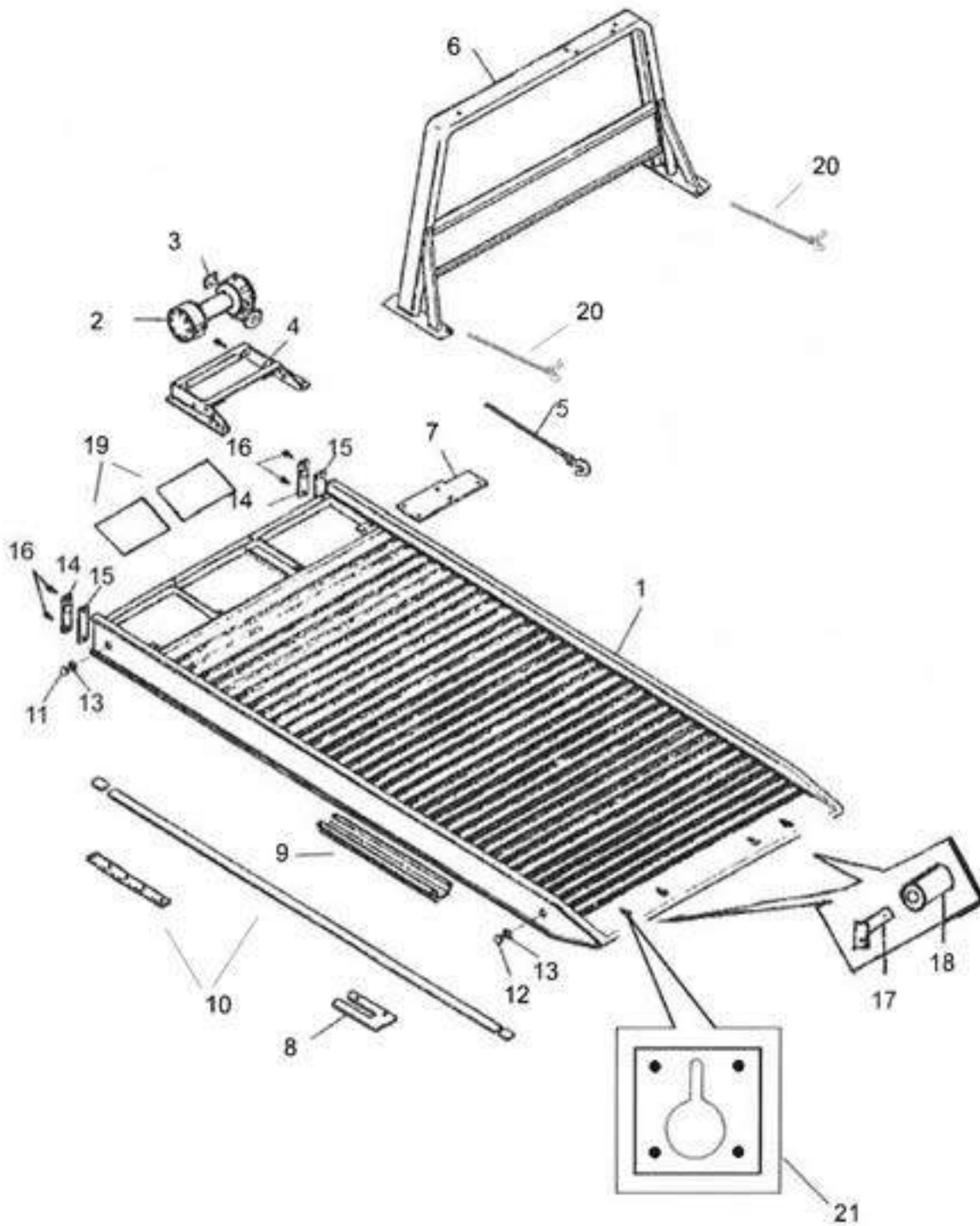
Providing this information will help ensure that the correct parts will be delivered to you in an expedient manner without delay. Should additional information be required for repair or replacement of certain components, contact **Miller Industries, Hermitage, PA, Phone: 724-981-3328, FAX 724-981-5260.**

The Manufacturer reserves the right, without notice or obligation, to improve or modify their products, which may change the specifications, models and feature availability.

Section VI - PARTS (cont'd)

ALUMINUM BED ASSEMBLY

FULL SIDE



Section VI - PARTS (cont'd)
ALUMINUM BED ASSEMBLY
FULL SIDE

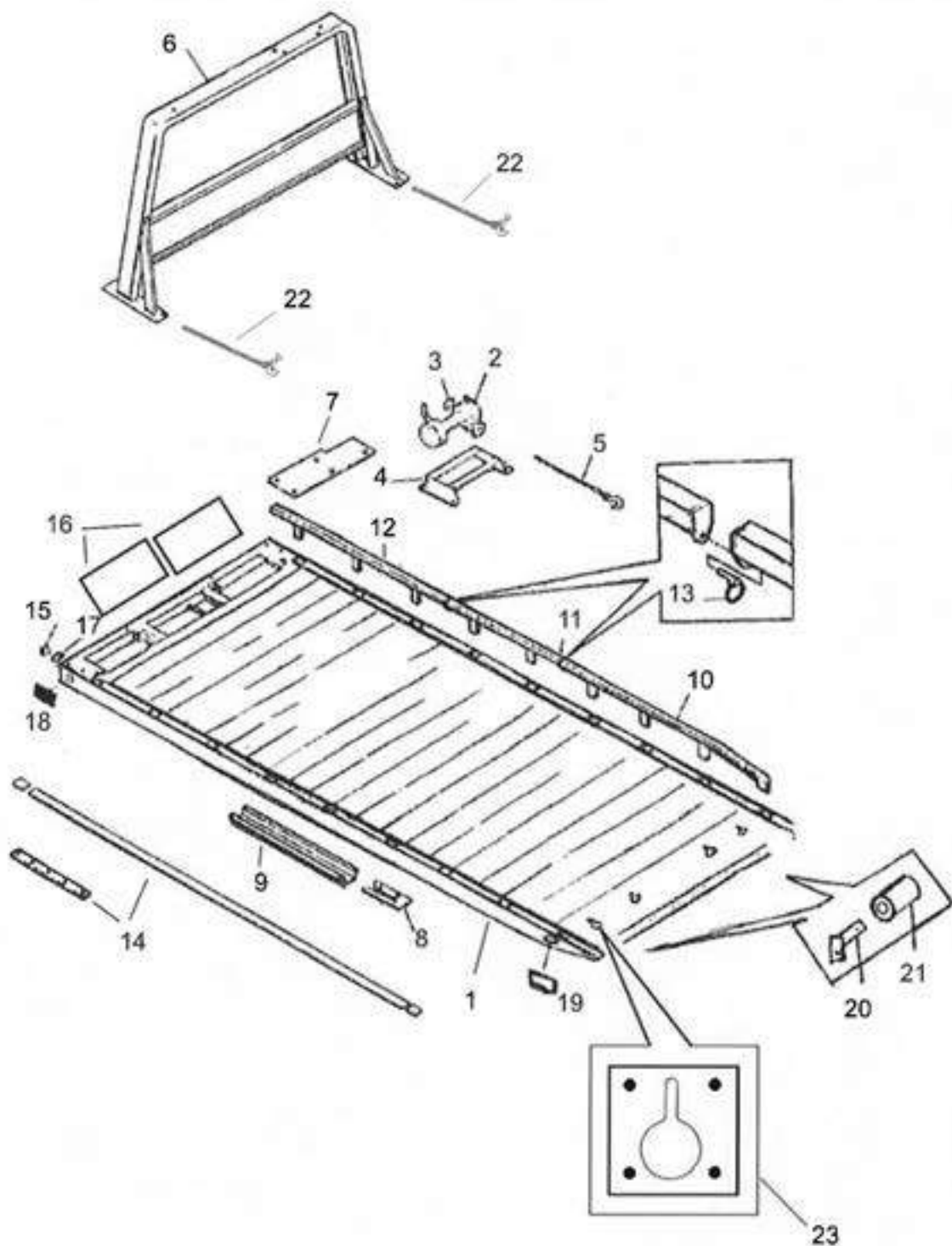
REF. NO.	NO. REQ'D	PART NUMBER	DESCRIPTION
1	1	*	CARRIER BED WELDMENT
2	1	0308698	WINCH - 4 TON WORM
3	2	0701172	SPACER, WINCH BRACKET
4	1	0801482	WINCH FRAME - 4 TON WORM
5	1	0301669	WINCH CABLE ASSEMBLY
6	1	*	CAB PROTECTOR WELDMENT - SPECIFY CHASSIS
7	1	0703203	COVER PLATE
8	1	0708913	ANTI-TILT PLATE
9	2	0720283	HOSE TRAY - 19'
	2	0710777	HOSE TRAY - 21'
10	1	0905059	BEARING PAD KIT - 17' THRU 19'6"
	1	0905060	BEARING PAD KIT - 21' THRU 22'2"
11	2	0311513	LIGHT 2.5" AMBER REFLEX LED (MCL59AB)
12	2	0311512	LIGHT 2.5" RED REFLEX LED (MCL509RB)
13	4	0311516	LIGHT 2.5" GROMMET
14	2	0308969A	MARKER LIGHT, AMBER
15	2	0710915	BED FILLER PLATE
16	4	0403006	10-24 x 5/8" BHSCS SS
17	2	0750842	J-BAR
18	2	0721483	ROLLER
19	2	0306054	TRAY MAT
20	2	0302493	FRONT SAFETY CHAIN ASSEMBLY - 5/16" X 8'
21	4	0707239	KEY HOLE PLATE
	16	0403053	3/8 - 16 x 1-1/4" CARRIAGE HEAD BOLT SS
	16	0402122	3/8 - 16 HEX NUT SS
	16	0402121	3/8 LOCK WASHER SS

* CONTACT DISTRIBUTOR FOR ADDITIONAL INFORMATION

Section VI - PARTS (cont'd)

ALUMINUM BED ASSEMBLY

REMOVABLE RAIL

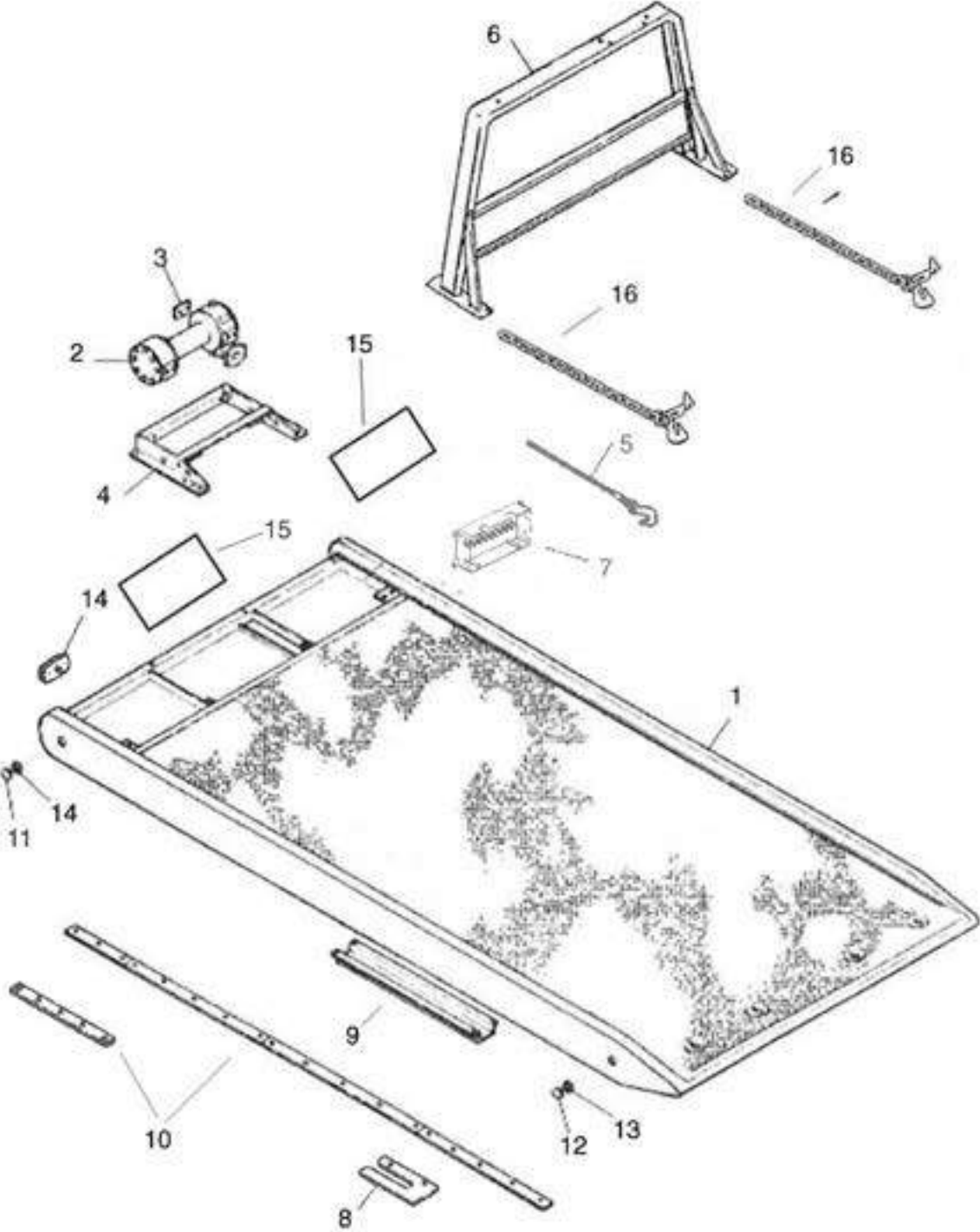


Section VI - PARTS (cont'd)
ALUMINUM BED ASSEMBLY
REMOVABLE RAIL

REF. NO.	NO. REQ'D	PART NUMBER	DESCRIPTION
1	1	*	CARRIER BED WELDMENT
2	1	0308698	WINCH - 4 TON WORM
3	2	0701172	SPACER, WINCH BRACKET
4	1	0801482	WINCH FRAME - 4 TON WORM
5	1	0301669	WINCH CABLE ASSEMBLY
6	1	*	CAB PROTECTOR WELDMENT - SPECIFY CHASSIS
7	1	0703203	COVER PLATE
8	1	0708913	ANTI-TILT PLATE
9	2	0720283	HOSE TRAY - 19'
	2	0710777	HOSE TRAY - 21'
10	2	0809393	REAR REMOVABLE RAIL - STEEL (19' THRU 21'6)
11	2	0802661	MID REMOVABLE RAIL - STEEL (19' THRU 21'6)
12	2	*	FRONT REMOVABLE RAIL - STEEL
13	4	0306070	LYNCH PIN
14	1	0905059	BEARING PAD KIT - 17' THRU 19'6
	1	0905060	BEARING PAD KIT - 21' THRU 22'2
15	2	0311513	LIGHT 2.5" AMBER REFLEX LED (MCL59AB)
16	2	0306054	TRAY MATS
17	4	0311516	LIGHT 2.5" GROMMET
18	2	0308360	LED MARKER LIGHT, AMBER (RECT)
19	2	0308359	LED MARKER LIGHT, RED (RECT)
20	2	0750842	J-BAR
21	2	0751155	J-BAR MOUNTING BRACKET (RR ONLY)
22	2	0302493	FRONT SAFETY CHAIN ASSEMBLY - 5/16" X 8'
23	4	0707239	KEY HOLE PLATE
	16	0403053	3/8 - 16 x 1-1/4" CARRIAGE HEAD BOLT SS
	16	0402122	3/8 - 16 HEX NUT SS
	16	0402121	3/8 LOCK WASHER SS

* CONTACT DISTRIBUTOR FOR ADDITIONAL INFORMATION

Section VI - PARTS (cont'd)
STEEL BED ASSEMBLY
TUBE SIDE



Section VI - PARTS (cont'd)
STEEL BED ASSEMBLY
TUBE SIDE

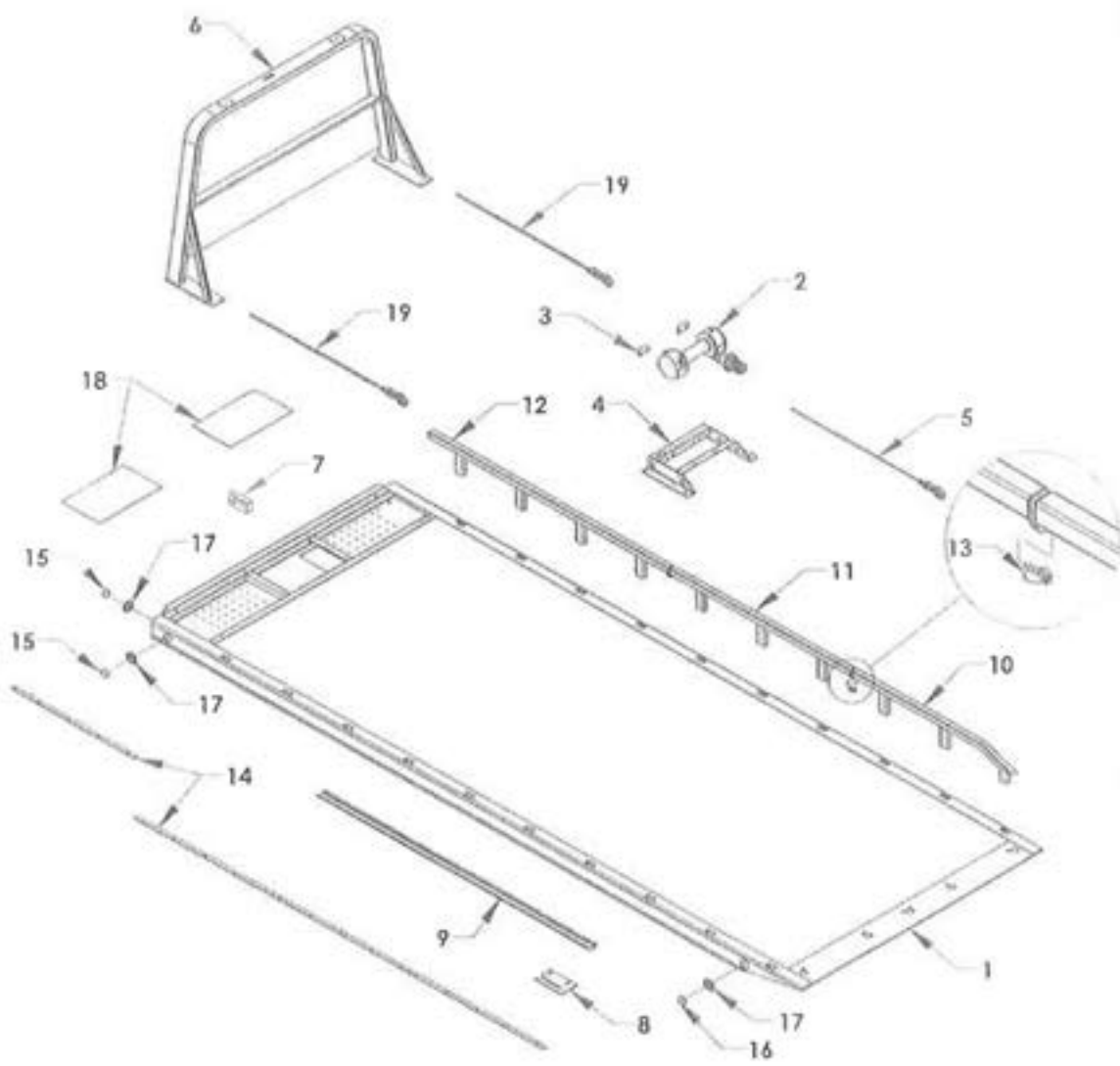
REF. NO.	NO. REQ'D	PART NUMBER	DESCRIPTION
1	1	*	CARRIER BED WELDMENT
2	1	0308698	4 TON WINCH ASSEMBLY
3	2	0701172	SPACER, WINCH BRACKET
4	1	0801482	WINCH FRAME - 4 TON WORM
5	1	0301669	WINCH CABLE ASSEMBLY
6	1	*	CAB PROTECTOR WELDMENT -SPECIFY CHASSIS
7	1	0303385	JUNCTION BOX
8	1	0708913	ANTI-TILT PLATE
9	2	0720283	HOSE TRAY - 19'
	2	0710777	HOSE TRAY - 21'
10	1	0905043	BEARING PAD KIT - 19'
	1	0905383	BEARING PAD KIT - 21'
		*	BEARING PAD KIT
11	2	0311513	LIGHT 2.5" AMBER REFLEX LED (MCL59AB)
12	2	0311512	LIGHT 2.5" RED REFLEX LED (MCL509RB)
13	4	0311516	LIGHT 2.5" GROMMET
14	2	0308360	LED MARKER LIGHT, AMBER (RECT.)
15	2	0306054	STORAGE TRAY MAT - ALL STEEL BODIES
16	2	0302493	FRONT SAFETY CHAIN ASSEMBLY - 5/16" X 8'

* CONTACT DISTRIBUTOR FOR ADDITIONAL INFORMATION

Section VI - PARTS (cont'd)

STEEL BED ASSEMBLY

REMOVABLE TUBE RAIL



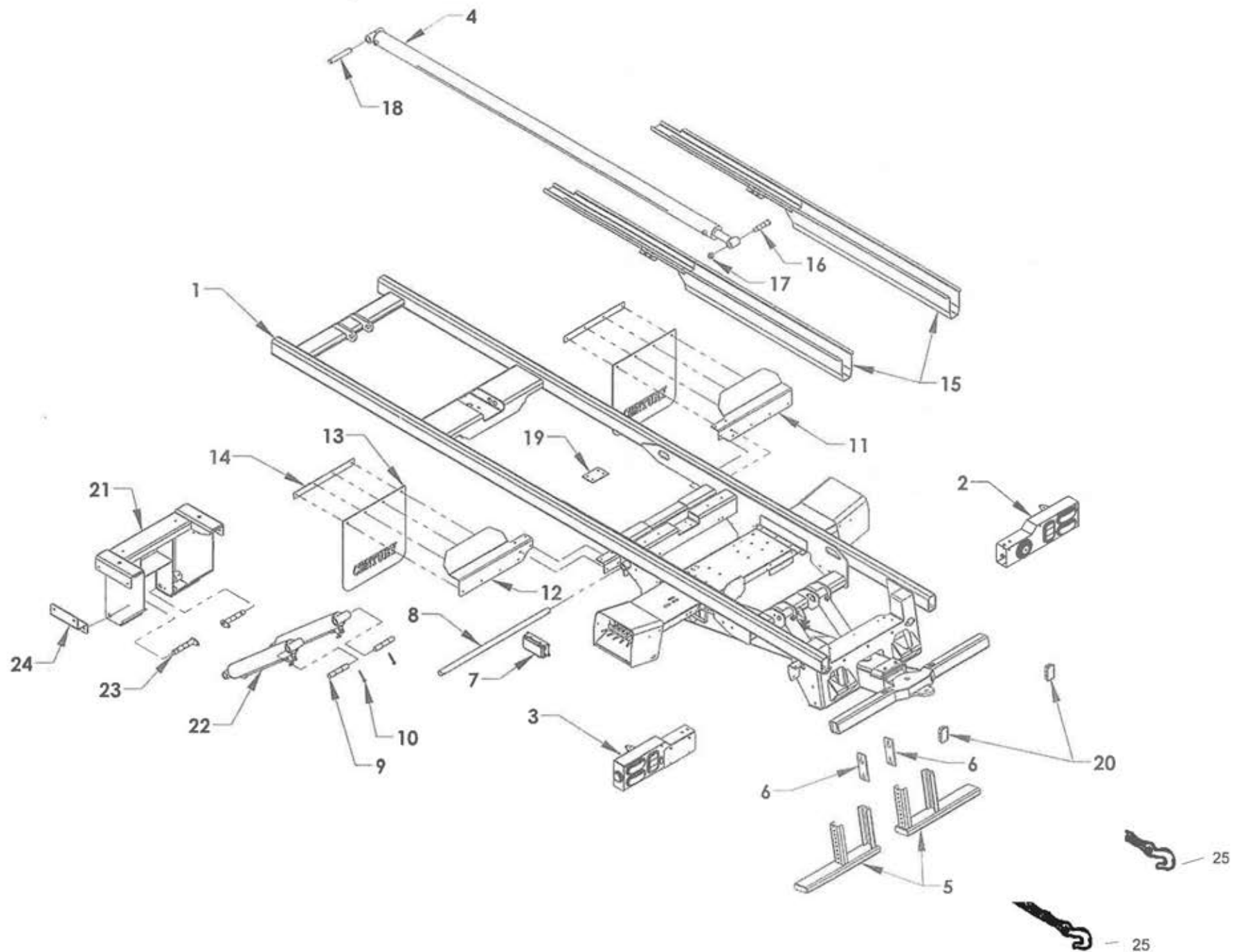
Section VI - PARTS (cont'd)
STEEL BED ASSEMBLY
REMOVABLE TUBE RAIL

REF. NO.	NO. REQ'D	PART NUMBER	DESCRIPTION
1	1	*	CARRIER BED WELDMENT
2	1	0308698	4 TON WINCH ASSEMBLY
3	2	0701172	SPACER, WINCH BRACKET
4	1	0801482	WINCH FRAME - 4 TON WORM..
5	1	0301669	WINCH CABLE ASSEMBLY
6	1	*	CAB PROTECTOR WELDMENT -SPECIFY CHASSIS
7	1	0303385	JUNCTION BOX
8	1	0708913	ANTI-TILT PLATE
9	2	0720283	HOSE TRAY - 19'
	2	0710777	HOSE TRAY - 21'
10	2	0809393	REAR REMOVABLE RAIL - STEEL (19' THRU 21'6)
11	2	0802661	MID REMOVABLE RAIL - STEEL (19' THRU 21'6)
12	2	*	FRONT REMOVABLE RAIL - STEEL
13	4	0306070	LYNCH PIN
14	1	0905043	BEARING PAD KIT - 19'
	1	0905383	BEARING PAD KIT - 21'
		*	BEARING PAD KIT
15	4	0311513	LIGHT 2.5" AMBER REFLEX LED (MCL59AB)
16	2	0311512	LIGHT 2.5" RED REFLEX LED (MCL509RB)
17	6	0311516	LIGHT 2.5" GROMMET
18	2	0306054	STORAGE TRAY MAT - ALL STEEL BODIES
19	2	0302493	FRONT SAFETY CHAIN ASSEMBLY - 5/16" X 8'

* CONTACT DISTRIBUTOR FOR ADDITIONAL INFORMATION

Section VI - PARTS (cont'd)

16 SERIES LCG SUBFRAME COMPONENTS

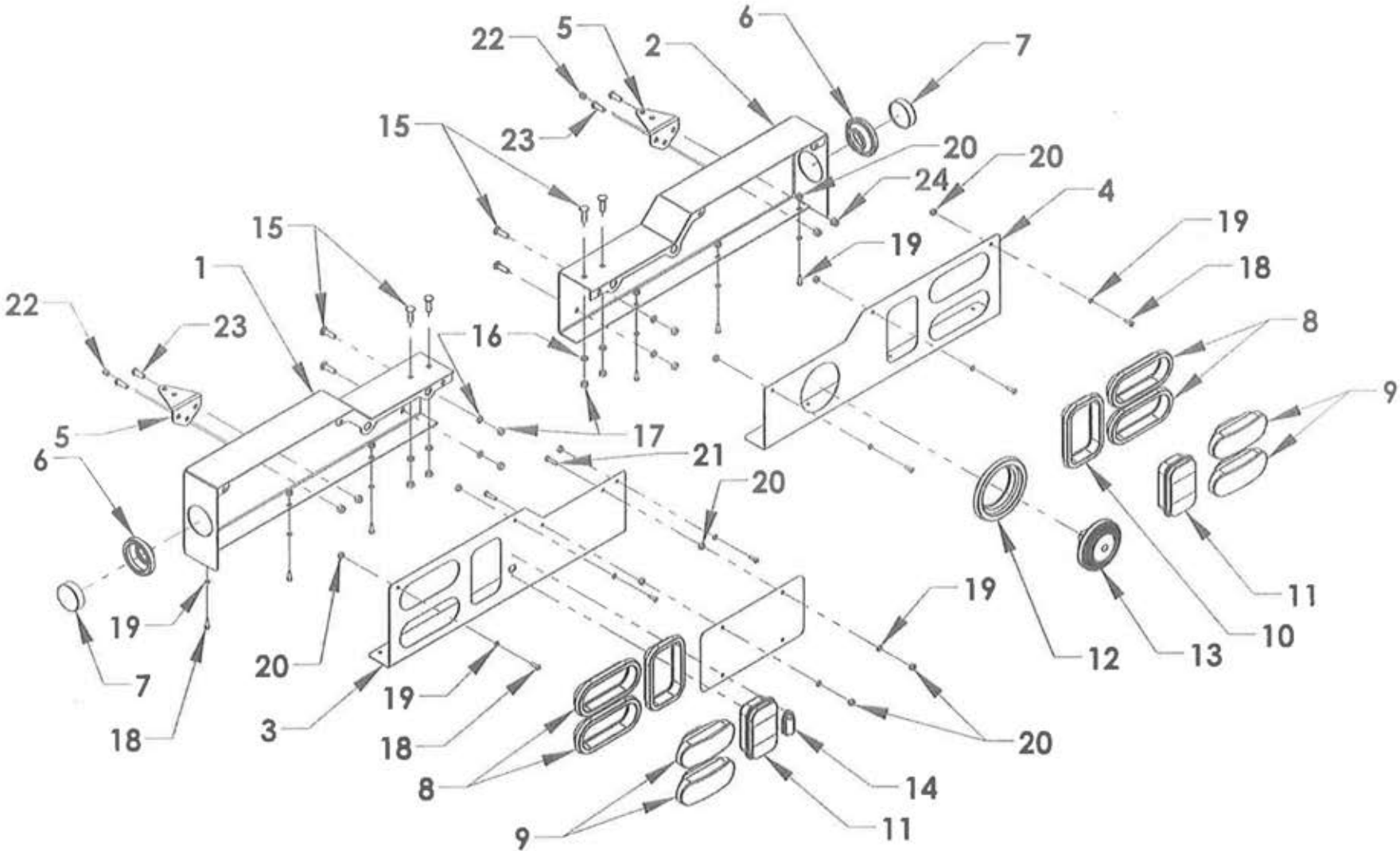


Section VI - PARTS (cont'd)

16 SERIES LCG SUBFRAME ASSEMBLY

REF. NO.	NO. REQ'D	PART NUMBER	DESCRIPTION
1	1	0809566	SUBFRAME WELDMENT 22 FT
	1	0809567	SUBFRAME WELDMENT 24 FT
	1	0809568	SUBFRAME WELDMENT 26 FT
2	1	0940180R	TAIL LIGHT ASSEMBLY (RH
3	1	0940180L	TAIL LIGHT ASSEMBLY (LH))
4	1	72A35120	BED EXTENSION CYLINDER
5	2	160525	EXTENSION STAND
6	2	0750409	WHEEL LIFT WEAR PAD
7	1	98710	JUNCTION BOX
8	1	0750952	PIN, SUBFRAME HINGE
9	2	13069	PIN, TILT CYLINDER BASE
10	2	84680	KEEPER PIN
11	1	0751024R	MUDFLAP MTG. BRACKET, STD. LONG (RH)
12	1	0751024L	MUDFLAP MTG. BRACKET, STD. LONG (LH)
13	2	0308419	MUDFLAP 24" x 24"
14	2	0750340	BAR, MUDFLAP SUPPORTS (S.S.)
15	2	0809531	HOSE TRAY WELDMENT
16	1	32116	SLIDEBACK BODY PIN
17	1	83730	NYLON LOCK NUT 1.000-8 UNC
18	1	13302010	SLIDEBACK CYLINDER MOUNTING PIN
19	1	0750764	PLASTIC CYLINDER SUPPORT PAD
20	2	0308748	SUBFRAME END CAP
21	1	1A9002	INBOARD SADDLE WELDMENT
22	2	72A35023	TILT CYLINDER
23	2	1A828A	PIN, TILT CYLINDER ROD
24	2	1A925	SADDLE SUPPORT BRACKET
25	2	0302493	SAFETY CHAIN

Section VI - PARTS (cont'd)
16 SERIES LCG TAIL LIGHT COMPONENTS



Section VI - PARTS (cont'd)

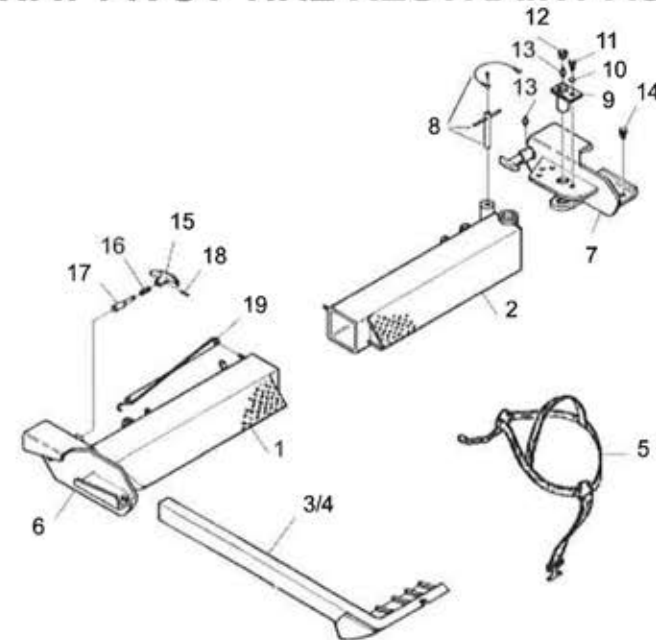
16 SERIES LCG TAIL LIGHT COMPONENTS

REF. NO.	NO. REQ'D	PART NUMBER	DESCRIPTION
	1	0940180L	TAIL LIGHT ASSEMBLY (LH)
	1	0940180R	TAIL LIGHT ASSEMBLY (RH))
1	1	0809517L	TAIL LIGHT HOUSING WELDMENT (LH)
2	1	0809517R	TAIL LIGHT HOUSING WELDMENT (RH)
3	1	0750906L	STAINLESS TAIL LIGHT BEZEL (LH)
4	1	0750906R	STAINLESS TAIL LIGHT BEZEL (RH)
5	1 (ea. side)	0750672	WORK LIGHT MOUNTING BRACKET
6	1 (ea. side)	0311516	LIGHT 2.5" GROMMET
7	1 (ea. side)	0311512	LIGHT 2.5" RED REFLEX LED (MCL59RB)
8	2 (ea. side)	0311503	LIGHT 6" OVAL GROMMET
9	2 (ea. side)	0311498	LIGHT 6" OVAL RED LED
10	1 (ea. side)	96550	GROMMET
11	1 (ea. side)	95500	BACK-UP LIGHT
12	1	0311528	BACK-UP ALARM GROMMET MODEL 40
13	1	0306385	BACK-UP ALARM
14	1	97150	LICENSE PLATE ILLUMINATOR
15	4 (ea. side)	0403053	3/8-16 x 1-1/4 CARR. HD BOLT SS
16	4 (ea. side)	0402121	3/8 LOCK WASHER SS
17	4 (ea. side)	0402122	3/8-16 HEX NUT SS
18	4 (ea. side)	0400071	1/4-20 x 3/4 RHMS SS
19	8 (left)	0402111	1/4 LOCK WASHER SS
	6 (right)	0402111	1/4 LOCK WASHER SS
20	10 (left)	0400371	1/4-20 LUG NUT Z
	6 (right)	0400371	1/4-20 LUG NUT Z
21	2 (left)	0406104	1/4-20 x 1 HEX HD CAP SCREW SS
22	1 (ea. side)	0306050	RUBBER GROMMET
23	2 (ea. side)	0400126	3/8-16 x 1 HEX HD CAP SCREW GRADE 5 Z
22	2 (ea. side)	0400392	3/8-16 NYLON LOCK NUT Z

Section VI - PARTS (cont'd)
LCG WHEEL LIFT & SLIDE-IN
TIRE RESTRAINT ASSEMBLY

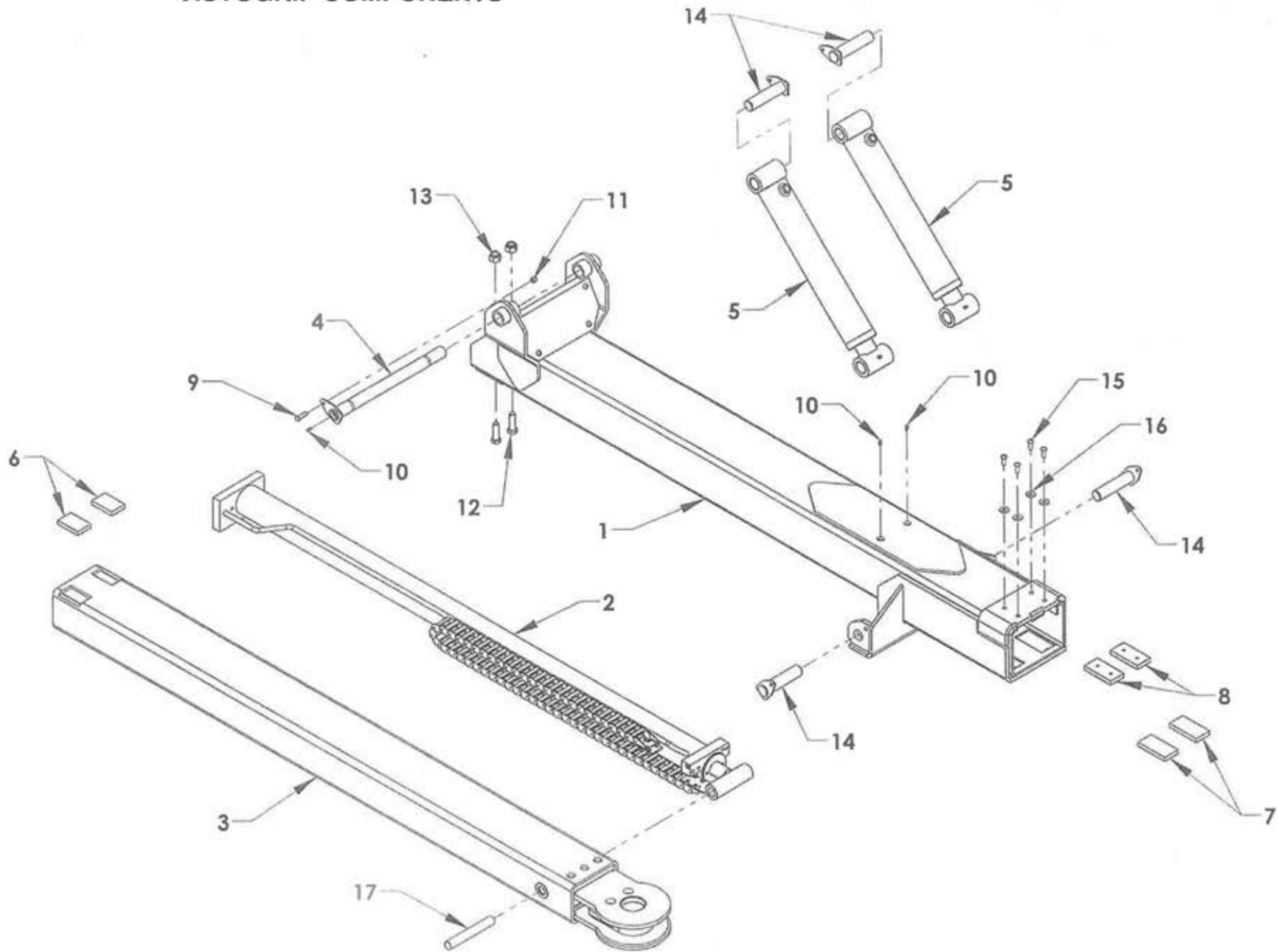
REF. NO.	NO. REQ'D	PART NUMBER	DESCRIPTION
1	1	0809577	OUTER BOOM WELDMENT
2	1	0809578	INNER BOOM WELDMENT
3	1	0809411	WHEEL LIFT HINGE PIN
4	1	0750524	EXTEND CYLINDER MOUNTING PIN 3/4" x 8-3/4"
5	4	0806094	LIFT CYLINDER PIN
6	4	0750505	BEARING PAD, NYLATRON
7	1	0750506	SPACER PAD
8	2	0308753	LIFT CYLINDER
9	4	0300113	GREASE FITTING, STRAIGHT
10	1	0750383	ENCAPSULATING CAGE TOP
11	1	0750525	EXTEND CYLINDER MOUNTING PIN, 7/8 x 6-3/4
12	1	0808506	CROSSBAR WELDMENT, 3-1/2 SQUARE
13	1	0909498L	OUTER XTUBE ASSEMBLY (LH)
14	1	0909498R	OUTER XTUBE ASSEMBLY (RH)
15	2	0801332	L-ARM
16	2	0400221	3/8-16 x 1 ALLEN HD SET SCREW Z
17	2	0400393	3/8-16 HEX JAM NUT Z
18	1	0403004	3/8-16 x 3/4 BUTTON HEAD CAP SCREW
19	1	0720463	WASHER, PIVOT PIN RETAINER
20	2	0308132	O-RING 1 ID x 1-1/4 OD x 1/8
21	1	0720460	PIVOT PIN, W/L CROSSBAR
22	1	0308129	BALL, CHROME 1" (GRADE 16)
23	1	0721632	SPACER, CROSSBAR DETENT
24	1	0308131	SPRING, DIE
25	1	0308130	PIPE PLUG
26	2	0308664	STRAP, RATCHET PIVOT ASSEMBLY
27	1	0400148	SCREW 3/8-16 x 1-1/4 HEX HD CAP
28	1	0400392	NUT, 3/8-16 HEX NYLOK
29	2	0400181	1/2 x 1-1/2 HEX HD BOLT
30	2	0400491	1/2 LOCK WASHER
31	4	0306424	CAMLOCK PIN
32	1	0302178	EXTEND CYLINDER

Section VI - PARTS (cont'd)
OPTIONAL WHEEL GRID &
3-WAY PIVOT TIRE RESTRAINT ASSEMBLY



REF. NO.	NO. REQ'D	PART NUMBER	DESCRIPTION
1	1	0909499L	OUTER XTUBE ASSY. LH(PIVOT) (COMPLETE)
2	1	0909499R	OUTER XTUBE ASSY. RH(PIVOT) (COMPLETE)
3	1	0803648	RESTRAINT TIRE, LH (PIVOT)
4	1	0803649	RESTRAINT TIRE, RH (PIVOT)
5	2	0902382	NYLON POLY-COAT STRAP (PIVOT)
6	1	0719079	END PL, LH (CSTG) PIVOT
7	1	0719080	END PL, RH (CSTG) PIVOT
8	2	0904744	PIN ASSEMBLY
9	2	0802187	PIN, PIVOT
10	2	0400483	3/8" INTERNAL TOOTH L/W Z
11	2	0400349	3/8-16 x 3/4" FLAT HD. CAP SCREW
12	2	0302640	PLUG, DRY-OUT HOLE
13	4	0300113	GREASE FITTING STRAIGHT
14	2	0712933	ALIGNMENT PIN
15	2	0302648	T HANDLE (ALUMINUM) ANGLE STYLE
16	2	0302641	SPRING, PIVOT
17	2	0707505	PIN, PLUNGER
18	2	0400560	5/32 x 1" TENSION PIN Z
19	2	0301956	TARP STRAP
-	2	0805022C	L-ARM STORAGE TUBE (BLACK) - NOT SHOWN
-	2	0809148C	L-ARM STORAGE TUBE (GALV) - NOT SHOWN

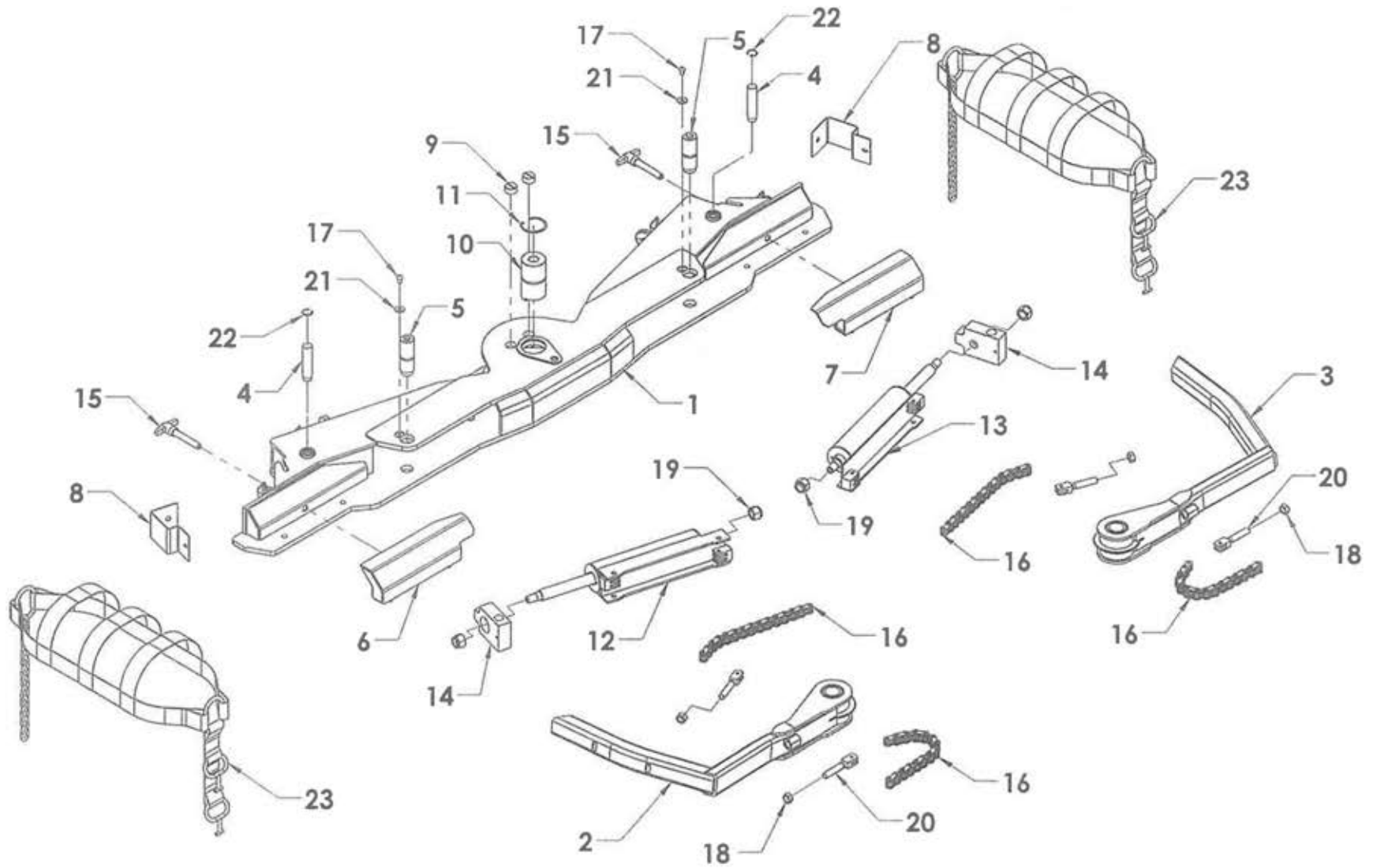
Section V I- PARTS (cont'd)
AUTOGRIP COMPONENTS



Section V I- PARTS (cont'd)
AUTOGRIP COMPONENTS

REF NO.	NO REQ'D	PART NUMBER	DESCRIPTION
1	1	0809557	OUTER BOOM WELDMENT
2	1	102522	INNER BOOM WELDMENT
3	1	72136	EXTEND CYLINDER
4	1	0809411	WHEEL LIFT HINGE PIN
5	2	0308753	LIFT CYLINDER
6	2	65612	BEARING PAD, NYLATRON
7	2	63595	BEARING PAD, NYLATRON
8	2	63595H	BEARING PAD, NYLATRON
9	1	0400148	SCREW, 3/8-16 x 1-1/4 HEX HD CAP
10	3	0300113	GREASE FITTING, STRAIGHT
11	1	0400392	NUT, 3/8-16 HEX NYLOK
12	2	0400274	5/8-11 x 2 HEX HD BOLT
13	2	0400421	NUT, 5/8-11 HEX NYLOK
14	4	0806094	LIFT CYLINDER PIN
15	4	812A9	3/8 x 1 ROUND HEAD BOLT
16	4	0721632	3/8 FLAT WASHER
17	1	72940	EXTEND CYLINDER MTG. PIN 0.980 x 6-11/16

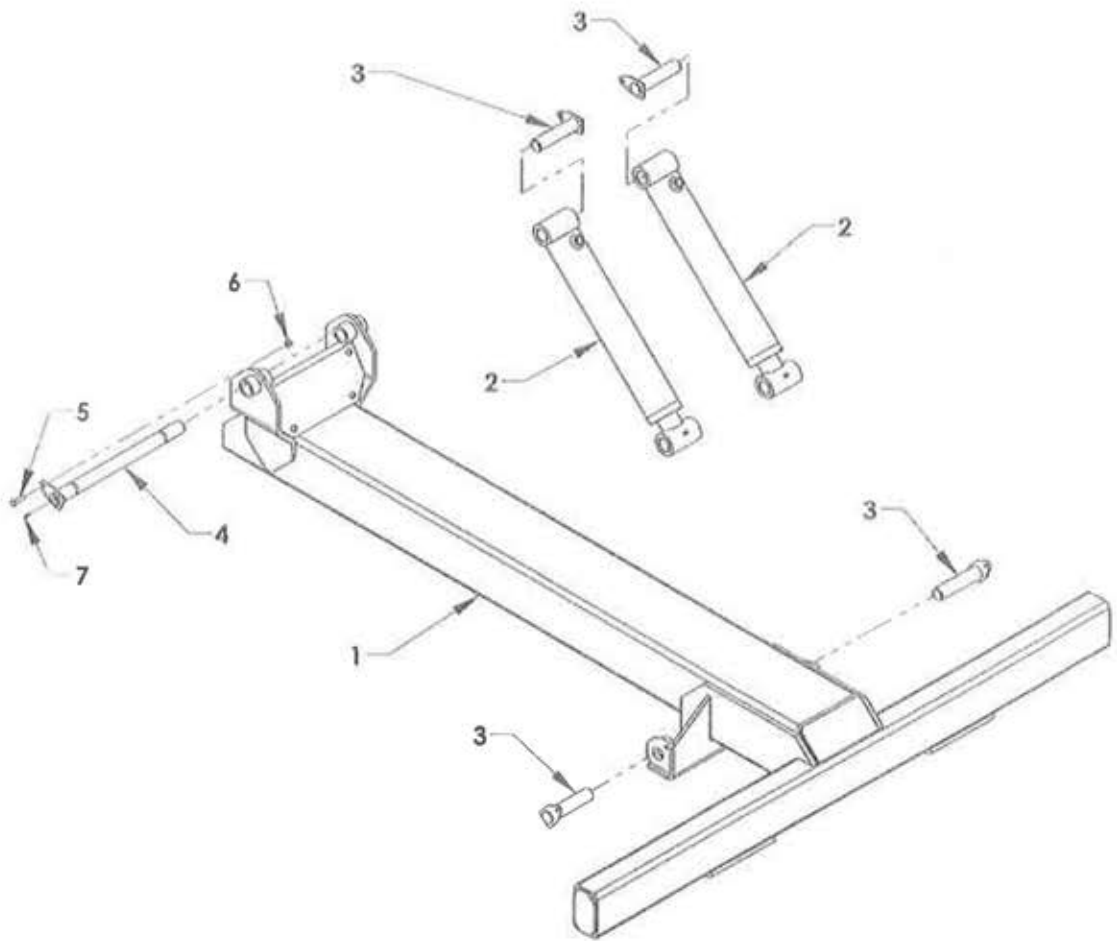
Section VI - PARTS (cont'd)
AUTOGRIP II COMPONENTS



Section VI - PARTS (cont'd)
AUTOGRIP II COMPONENTS

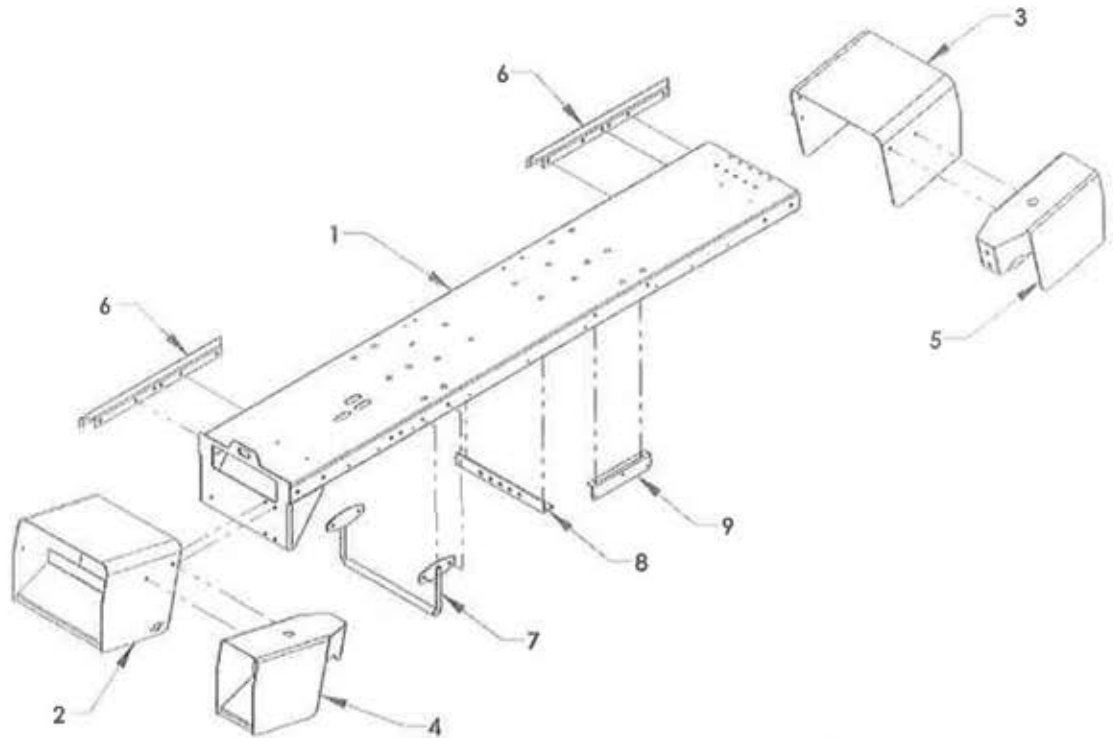
REF NO.	NO REQ'D	PART NUMBER	DESCRIPTION
1	1	644002	CROSSBAR WELDMENT
2	1	644352CL	WHEEL RETAINER - LEFT
3	1	644352CR	WHEEL RETAINER - RIGHT
4	2	644432	WHEEL RETAINER CYLINDER PIN
5	2	644452	ARM PIVOT PIN
6	1	697402L	WHEEL SPACER - LEFT
7	1	697402R	WHEEL SPACER - RIGHT
8	2	644292	HOSE GUARD
9	2	64327	SCREW-PLUG CROSSBAR DETENT
10	1	644402	CROSSBAR PIN
11	1	862501	SNAP RING 2.500 INCH INTERNAL
12	1	720152L	WHEEL RETAINER CYLINDER - LEFT
13	1	720152R	WHEEL RETAINER CYLINDER - RIGHT
14	2	727162	L-ARM CYLINDER END BLOCK
15	2	84291	T-PIN 5/8 x 3
16	4	87440	AUTOGRIP ARM CHAIN
	4	81127	5/16 x 1-1/4 SHOULDER SHCS 1/4-20 UNC
	4	83105	1/4-20 UNC NYLON LOCK NUT
17	2	812A5	3/8 ALLEN BOLT
18	4	83411	5/8 NYLON LOCK NUT
19	2	83520	3/4 NYLON LOCK NUT
20	4	64441	CHAIN CLEVIS
	4	81126	5/16 x 1 SHOULDER SHCS 1/4-20 UNC
	4	83105	1/4-20 UNC NYLON LOCK NUT
21	2	82110	5/16 FLAT WASHER
22	2	86100I	SNAP-RING 1.000 INCH INTERNAL
23	2	65286	BASKET TIRE STRAP - AUTO
	2	66287	BASKET TIRE STRAP - TRUCK

Section VI - PARTS (cont'd)
DOCK STABILIZER



REF NO.	NO REQ'D	PART NUMBER	DESCRIPTION
1	1	0809560	OUTER BOOM WELDMENT
2	2	0308753	LIFT CYLINDER
3	4	0806094	LIFT CYLINDER PIN
4	1	0809411	WHEEL LIFT HINGE PIN
5	1	0400148	SCREW, 3/8- x 1-1/4 HEX HD CAP
6	1	0400392	NUT, 3/8-16 HEX NYLOK
7	1	0300113	GREASE FITTING, STRAIGHT

Section VI - PARTS (cont'd)
CONTROL STATION COMPONENTS



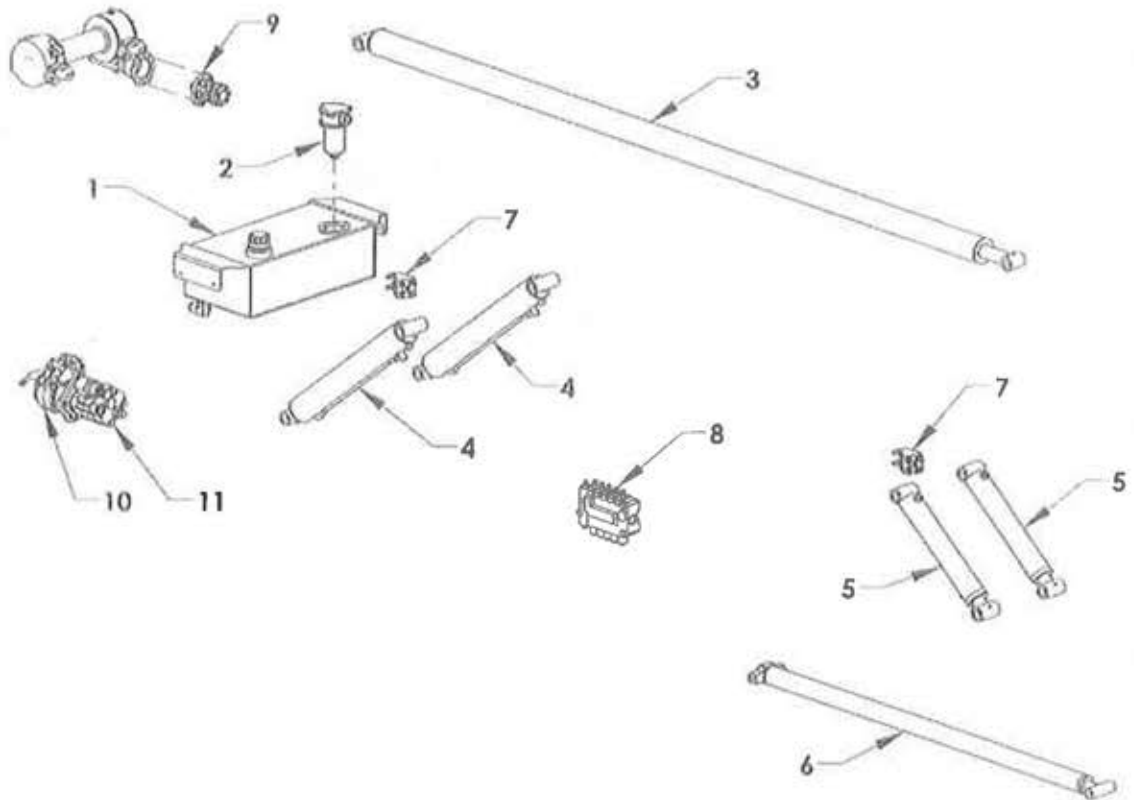
REF. NO.	NO. REQ'D	PART NUMBER	DESCRIPTION
1	1	0809510	CONTROL STATION WELDMENT
2	1	0809511L	CONTROL HOOD WELDMENT - LEFT
3	1	0809511R	CONTROL HOOD WELDMENT - RIGHT
4	1	0809516L	1-SPOOL VALVE CONTROL HOOD - LEFT
5	1	0809516R	1-SPOOL VALVE CONTROL HOOD - RIGHT
6	2	0750413	MUDFLAP BRACKET
7	1	0809513	CONTROL BOX HOSE HANGER WELDMENT
8	1	0720456	CONTROL ROD SUPPORT ANGLE
9	1	0750419	JUNCTION BOX MOUNTING ANGLE

Section VI - PARTS (cont'd)

CONTROL & CROSSROD ASSEMBLY

REF. NO.	NO. REQ'D	PART NUMBER	DESCRIPTION
1	4	0311699	CONTROL KNOB, BLUE SB/B-TILT, SP
2	2	0311700	CONTROL KNOB, RED PRIMARY WINCH
3	10	0301638	BRACKET, CONTROL HANDLE
4	4	0311702	CONTROL KNOB, GRAY W/L EXT/UP-DOWN
5	1	0302179	5-SPOOL CONTROL VALVE
6	10	0306006	SPRING, ANTI-RATTLE
7	4	0306122	END CAP, CONTROL HANDLE ROD
8	12	0400121	3/8-16 x 3/4" HHCS GR5 Z
9	3	0400140	3/8-16 x 4" HHCS GR5 Z
10	5	0400243	3/8-16, J-NUT TINNERMAN
11	10	0400392	3/8-16 NYLON LOCK NUT Z
12	10	0400393	3/8-16 HEX JAM NUT Z
13	15	0400465	5/16" SAE FLAT WASHER Z
14	5	0400482	3/8" LOCK WASHER Z
15	10	0400532	5/16" x 1" CLEVIS PIN Z
16	10	0403067	BOWTIE - Z
17	2	0705242	ROD, CONT. HANDLE 5 SPOOL
18	1	0720456	UHMW ANGLE
19	2	0809135	CONTROL HANDLE (FWD. INNER) LONG
20	2	0809138	CONTROL HANDLE (FWD. OUTER) LONG
21	2	0809136	CONTROL HANDLE (REAR INNER) LONG
22	2	0809137	CONTROL HANDLE (REAR OUTER) LONG
23	4	0806111	CONTROL ROD WELDMENT
24	5	0800800	CONTROL ROD LINK
25	1	0806112	CONTROL ROD WELDMENT (ANTI-TILT)
26	2	0809134	CONTROL HANDLE WELDMENT (CTR) LONG

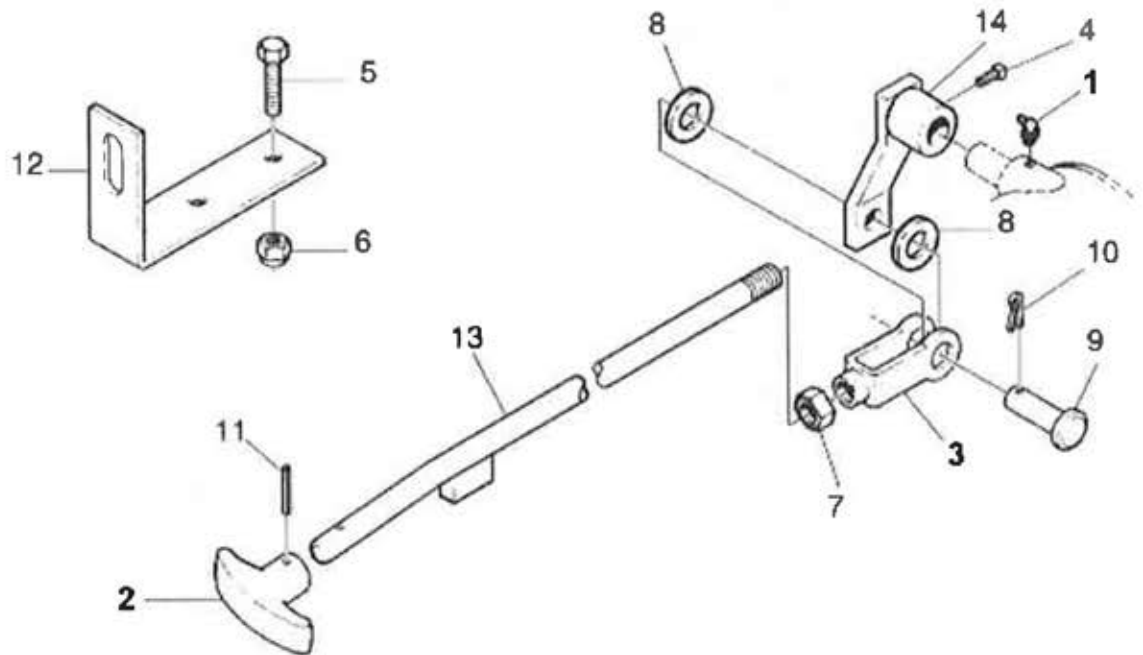
Section VI - PARTS (cont'd) HYDRAULICS



REF NO.	NO REQ'D	PART NUMBER	DESCRIPTION
1	1	0806594	INBOARD OIL RESERVOIR
2	1	9018399	IMMERSION FILTER ASSEMBLY
	1	9018309	IMMERSION FILTER ELEMENT
3	1	72A35120	BED EXTEND CYLINDER
4	2	72A35023	CARRIER TILT CYLINDER
5	2	0308753	WHEEL-LIFT LIFT CYLINDER
6	1	0302178	WHEEL-LIFT EXTEND CYLINDER
7	2	0308638	COUNTERBALANCE LOAD HOLDING VALVE
8	1	0302179	5-SPOOL CONTROL VALVE
9	1	0306157	WINCH MOTOR, 4 TON
10	1	*	PTO
11	1	0306031	PUMP - 15 GPM

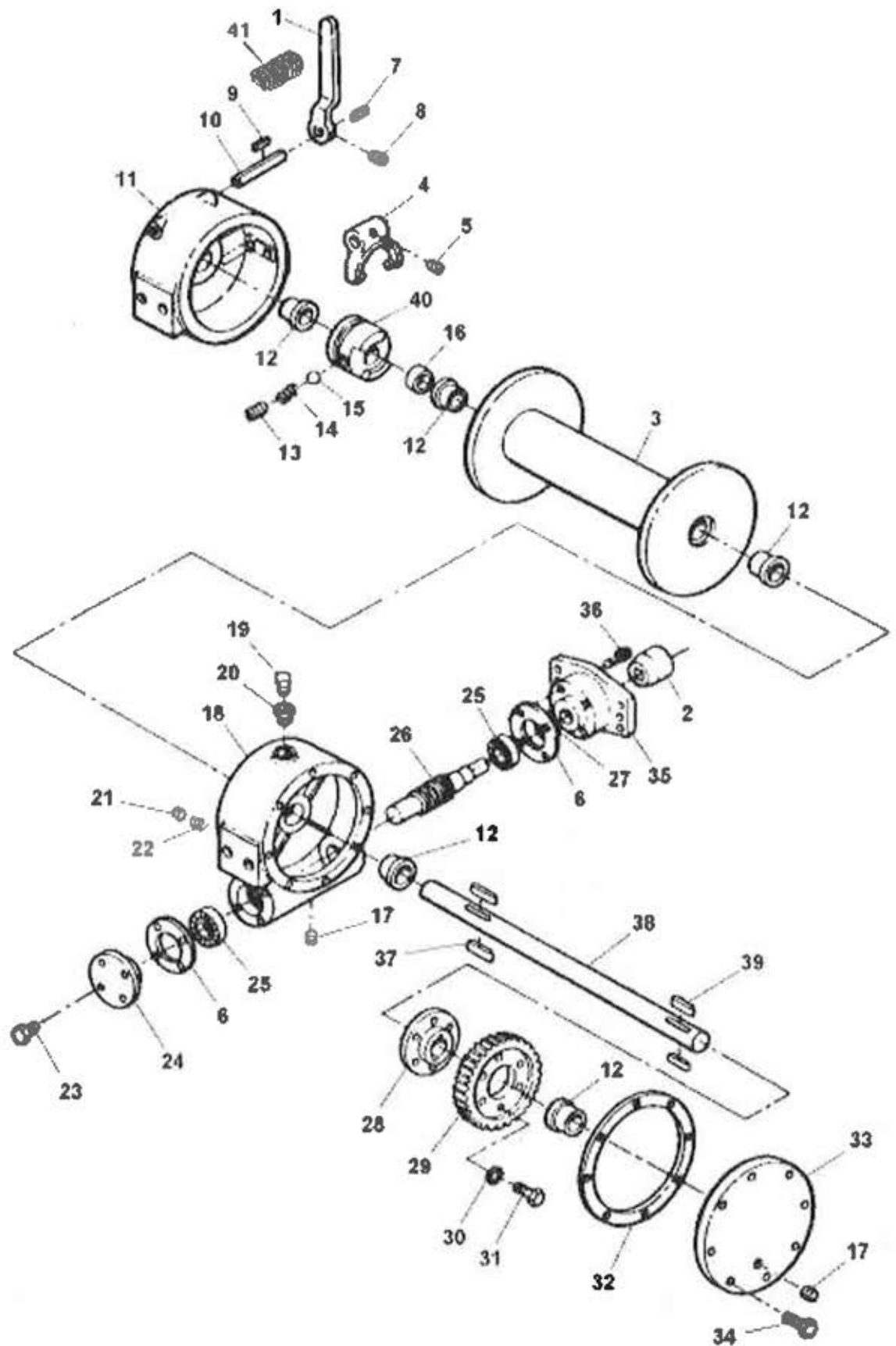
* CONTACT DISTRIBUTOR FOR ADDITIONAL INFORMATION

Section VI - PARTS (cont'd) WINCH CLUTCH CONTROL



REF. NO.	NO. REQ'D	PART NUMBER	DESCRIPTION
1	1	0301397	GREASE FITTING, 90°
2	1	0301532	"T" HANDLE
3	1	0301588	ADJUSTING YOKE
4	1	0400116	SCREW, 5/16"-18 x 1/2" SQ HD SET
5	2	0400126	SCREW, 3/8"-16 x 1" HEX HD CAP
6	2	0400392	NUT, 3/8"-16 NYLOK
7	1	0400410	NUT, 1/2"-13 JAM
8	4	0400492	WASHER, 1/2" FLAT
9	1	0400537	PIN, 1/2" x 1-1/2" CLEVIS
10	1	0400546	PIN, 1/8" x 1-1/4" COTTER
11	2	0400560	PIN, 5/32" x 1" ROLL
12	1	0710918	MOUNTING ANGLE
13	1	0805170	CONTROL ROD
14	1	0805151	BELL CRANK

Section VI - PARTS (cont'd) RAMSEY 234 HYDRAULIC WINCH



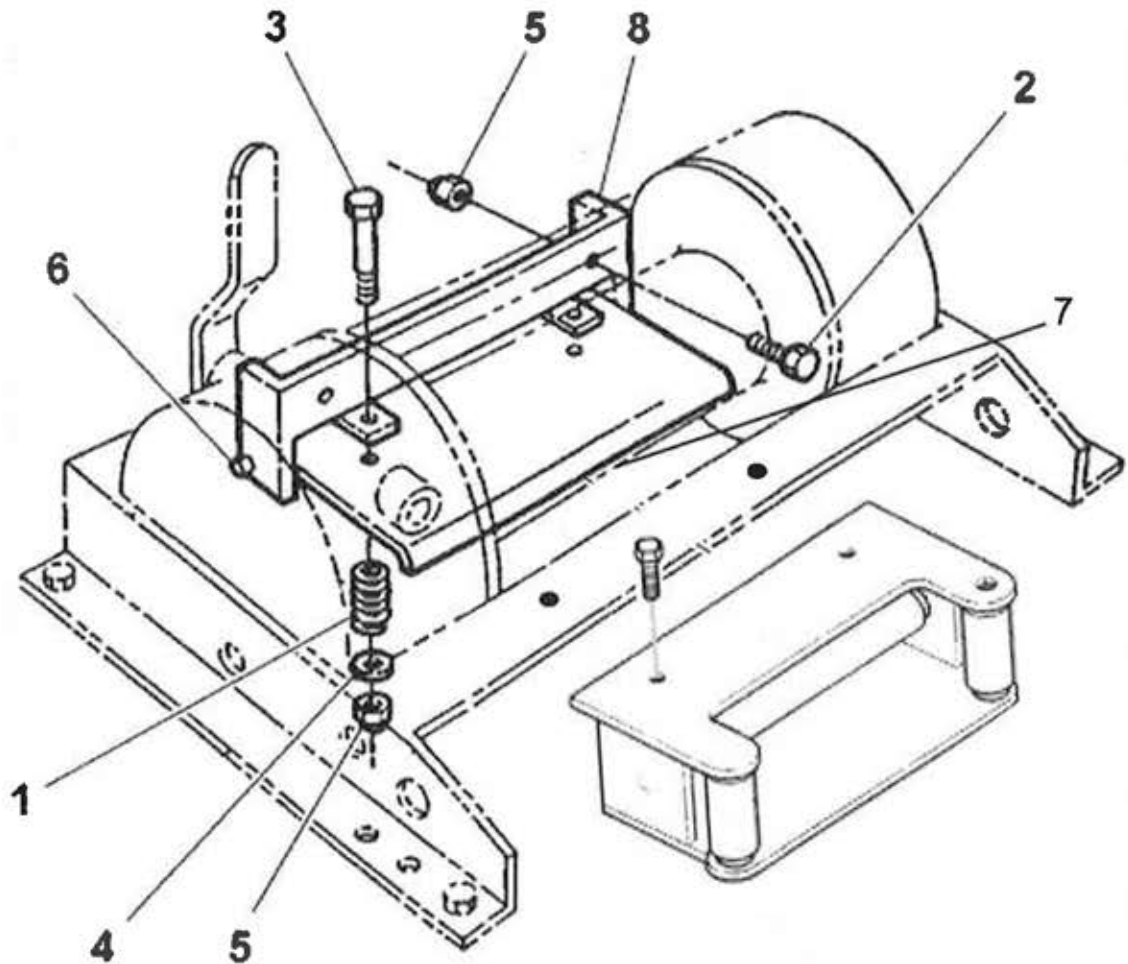
Section VI - PARTS (cont'd)

RAMSEY 234 HYDRAULIC WINCH

REF. NO.	NO. REQ'D	PART NUMBER	DESCRIPTION
1	1	0300261	LEVER
2	1	0300290	COUPLING
3	1	0300381	DRUM
4	1	0300398	YOKE
5	1	0300399	SCREW
6	2	0300447	GASKET
7	1	0300448	KEY
8	1	0300449	SCREW
9	1	0300450	KEY
10	1	0300451	SHAFT
11	1	0300452	CLUTCH HOUSING
12	5	0300453	BUSHING
13	1	0300454	SCREW
14	1	0300455	SPRING
15	1	0300456	BALL
16	1	0300458	SPACER
17	2	0300459	PLUG
18	1	0300460	HOUSING
19	1	0300461	PLUG
20	1	0300462	REDUCER
21	1	0300463	DRAG BRAKE
22	1	0300464	SPRING
23	16	0300465	SCREW
24	1	0300466	CAP
25	2	0300467	BEARING
26	1	0300468	WORM
27	1	0300471	SEAL
28	1	0300472	HUB
29	1	0300473	GEAR
30	6	0300474	WASHER
31	6	0300475	SCREW
32	1	0300476	GASKET
33	1	0600477	COVER
34	4	0300569	SCREW
35	1	0300694	CAP ADAPTER
36	1	0300695	SCREW
37	2	--	KEY
38	1	--	SHAFT
39	2	--	KEY
40	1	--	CLUTCH
41	1	0308608	TORSION SPRING
*	1	0308698	4 TON WORM WINCH ASSEMBLY

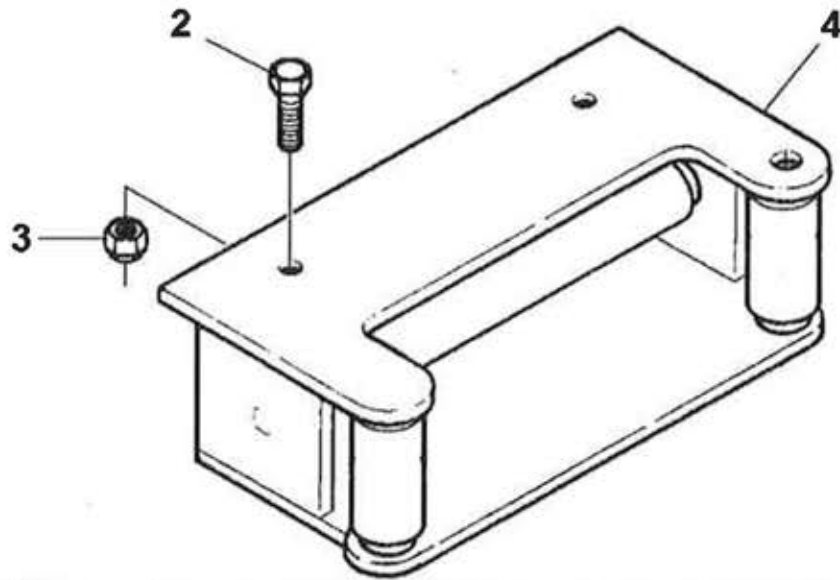
* When ordering specify winch serial number.

Section VI - PARTS (cont'd)
CABLE TENSIONER ASSEMBLY
(STANDARD 4-TON WINCH)



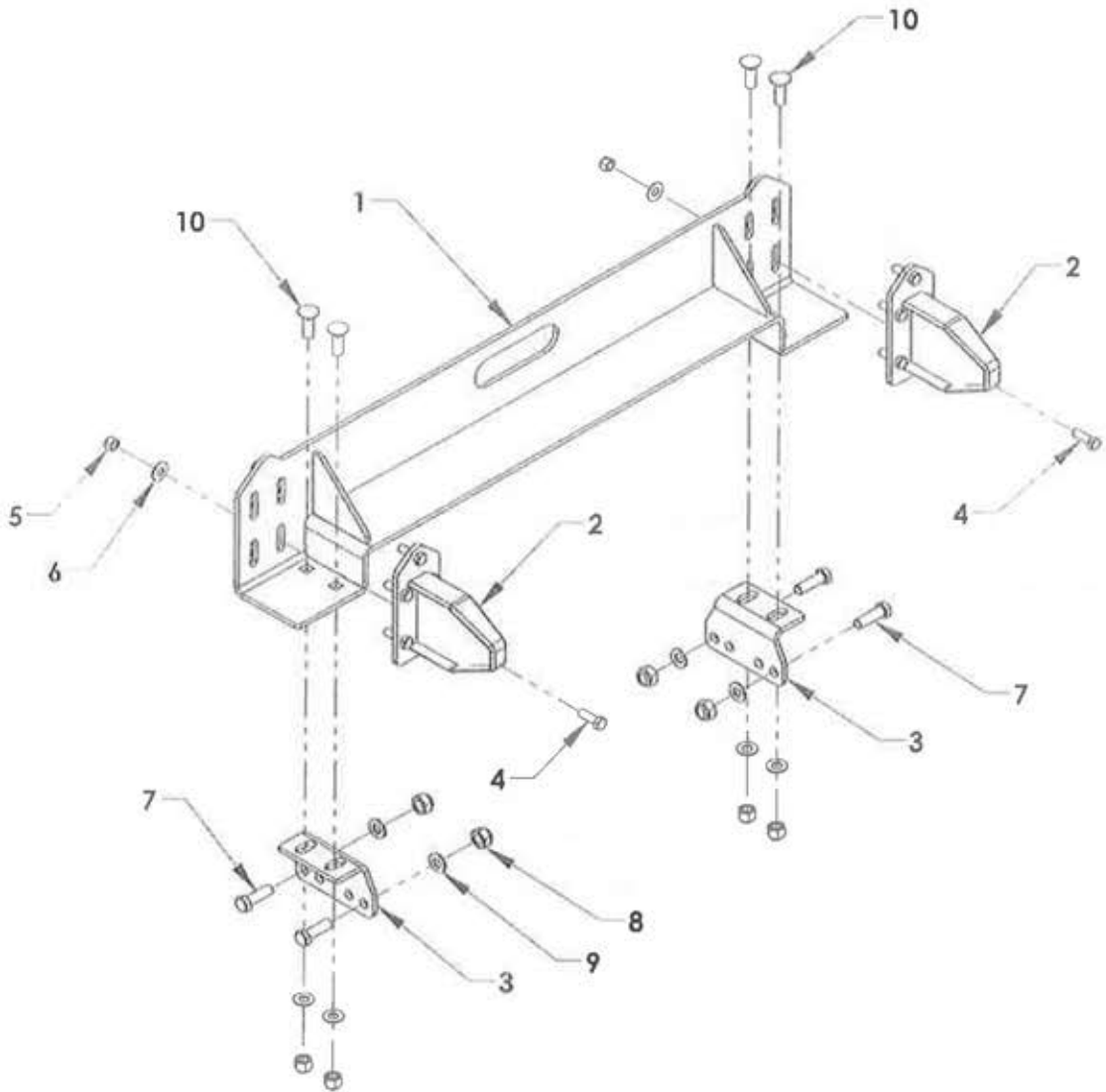
REF. NO.	NO. REQ'D	PART NUMBER	DESCRIPTION
1	2	0301729	TENSIONING SPRING
2	2	0400126	SCREW, 3/8"-16 x 1" HEX HD CAP
3	2	0400130	SCREW, 3/8"-16 x 3-1/2" HEX HD CAP
4	2	0400480	WASHER, 3/8" FLAT
5	4	0400392	NUT, 3/8"-16 HEX NYLOK
6	2	0400554	ROLL PIN, 3/8" x 1"
7	1	0800908	TENSIONING PLATE
8	1	0800909	CABLE TENSIONER BRACKET
	1	124001329	CABLE TENSIONER ASSEMBLY

Section VI - PARTS (cont'd)
CABLE ROLLER ASSEMBLY



REF. NO.	NO. REQ'D	PART NUMBER	DESCRIPTION
1	--	0900892	CABLE ROLLER ASSEMBLY
2	2	0400177	SCREW, 1/2"-13 x 1-1/4" HEX HD
3	2	0400408	NUT, 1/2"-13 NYLOK
4	1	0805037	CABLE ROLLER GUIDE WELDMENT

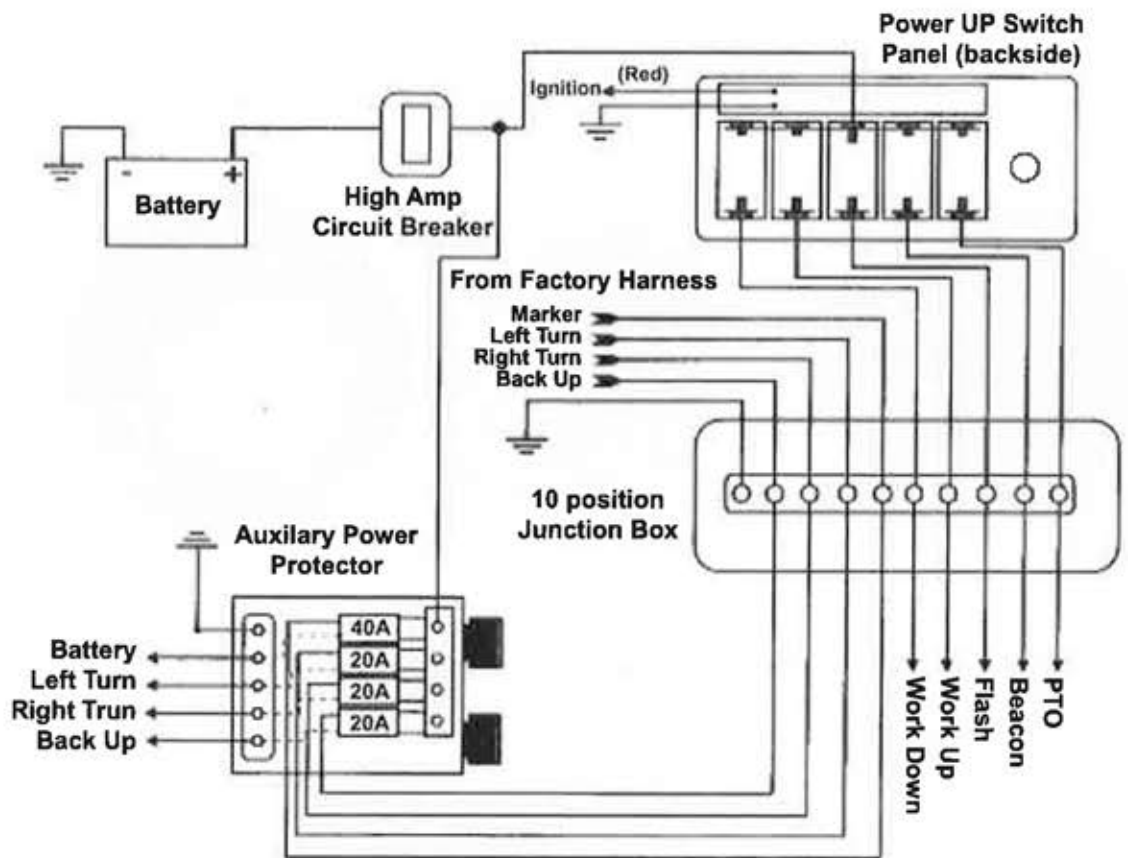
Section VI - PARTS (cont'd) BED LOCK ASSEMBLY



REF. NO.	NO. REQ'D	PART NUMBER	DESCRIPTION
1	1	0809553	12 SERIES LCG BED LOCK WELDMENT
2	2	0809182	BED LOCK HOLD-DOWN
3	2	0809183	MOUNTING BRACKET
4	10	0400181	BOLT, 1/2-13 x 1-1/2 HHCS ZP GRADE 5
5	10	0400408	NYLON LOCK NUT, 1/2-13 ZP
6	10	0403040	FLAT WASHER, 1/2 ZP
7	4	0400260	BOLT, HHCS 5/8-11 x 2 ZP GRADE 5
8	8	0400421	NYLON LOCK NUT, 5/8-11 ZP
9	8	0400505	FLAT WASHER, 5/8 ZP
10	4	0403068	CARRIAGE BOLT 5/8-11 x 1-3/4 ZP GRADE 5
	1	0940171	12 SERIES LCG BED LOCK ASSEMBLY

Section VI - PARTS

OPTIONAL DASHBOARD PANEL



Section VI - PARTS

LIGHT KIT



REF. NO.	PART NUMBER	DESCRIPTION
1	0311498	LIGHT 6" OVAL RED LED - STOP/TURN
2	0311500	LIGHT 6" OVAL REVERSE LED
3	3011503	LIGHT 6" GROMMET



REF. NO.	PART NUMBER	DESCRIPTION
1	0311512	LIGHT 2.5" RED REFLEX LED (MCL59RB)
2	0311513	LIGHT 2.5" AMBER REFLEX LED (MCL59AB)
3	0311516	LIGHT 2.5" GROMMET

Section VI - PARTS

LIGHT KIT



REF. NO.	PART NUMBER	DESCRIPTION
1	0311514	LIGHT 2.5" ROUND CLEAR/RED LED MARKER LIGHT
2	0311515	LIGHT 2.5" ROUND CLEAR/AMBER LED MARKER LIGHT
3	3011516	LIGHT 2.5" GROMMET



REF. NO.	PART NUMBER	DESCRIPTION
1	0311527	RECTANGULAR LED CONTROL STATION LIGHT

Section VI - PARTS

LIGHT KIT



REF. NO.	PART NUMBER	DESCRIPTION
1	0311519	RED 3/4 LED ICC LIGHT



REF. NO.	PART NUMBER	DESCRIPTION
1	0311520	RED 3/4 LED LIGHT

Section VI - PARTS

LIGHT KIT



REF. NO.	PART NUMBER	DESCRIPTION
1	0311521	AMBER 3/4 ROUND LED LIGHT



REF. NO.	PART NUMBER	DESCRIPTION
1	0311522	CLEAR/RED 3/4 ROUND LED LIGHT



REF. NO.	PART NUMBER	DESCRIPTION
1	0311523	CLEAR/AMBER 3/4 ROUND LED LIGHT

Section VI - PARTS

LIGHT KIT



REF. NO.	PART NUMBER	DESCRIPTION
1	0308359	MARKER LIGHT RED REFLEX LED



REF. NO.	PART NUMBER	DESCRIPTION
1	0308360	MARKER LIGHT AMBER REFLEX LED

Section VI - PARTS

LIGHT KIT



REF. NO.	PART NUMBER	DESCRIPTION
1	0308969R	MARKER LIGHT RED REFLEX LED



REF. NO.	PART NUMBER	DESCRIPTION
1	0308969A	MARKER LIGHT AMBER REFLEX LED

Section VI - PARTS

LIGHT KIT



REF. NO.	PART NUMBER	DESCRIPTION
1	074027041ACL	MILLENNIUM MARKER LIGHT CLEAR/AMBER



REF. NO.	PART NUMBER	DESCRIPTION
1	174027041RCL	MELLIENUM MARKER LIGHT CLEAR/RED

Section VI - PARTS

LIGHT KIT



REF. NO.	PART NUMBER	DESCRIPTION
1	0308491	REFLECTOR - AMBER



REF. NO.	PART NUMBER	DESCRIPTION
1	0308490	REFLECTOR - RED

Section VI - PARTS

LIGHT KIT



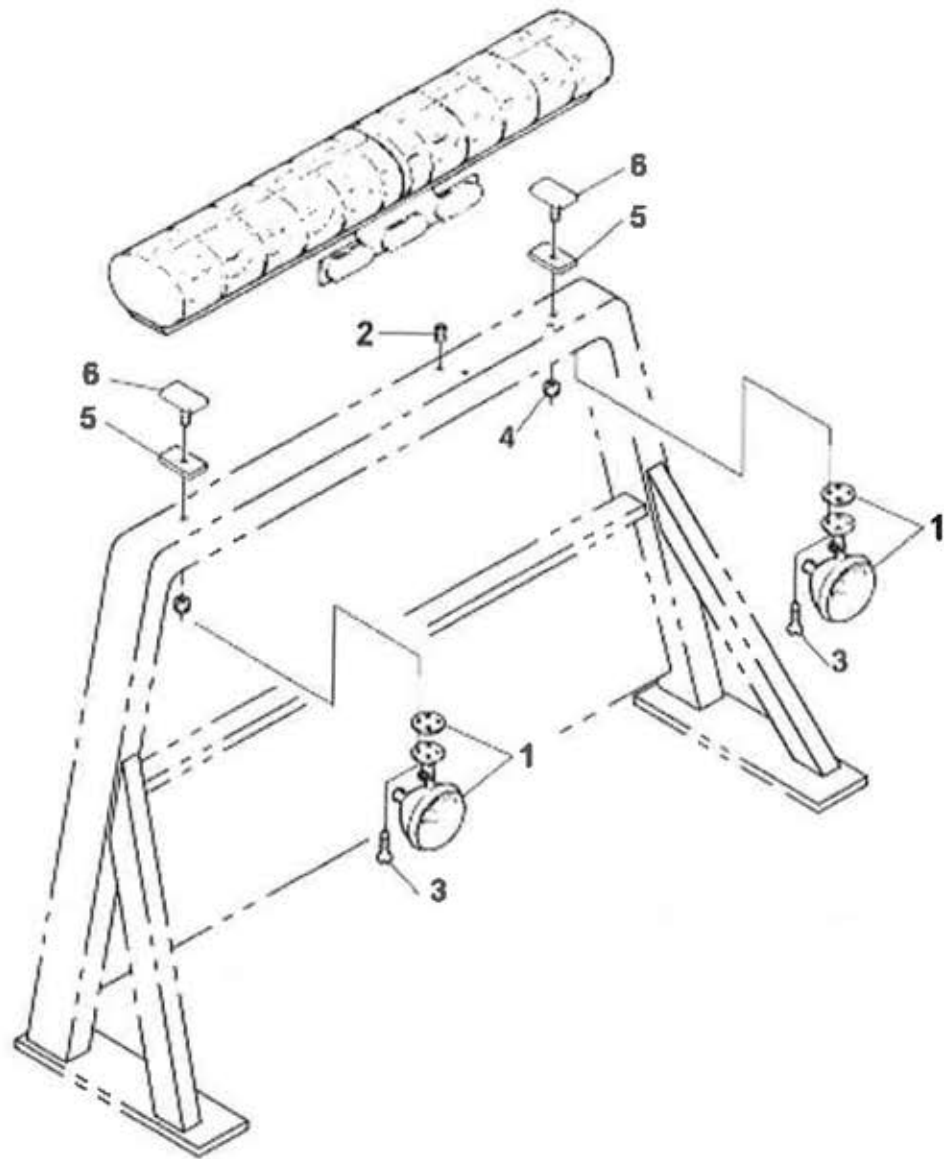
REF. NO.	PART NUMBER	DESCRIPTION
1	0308420	OVAL MID BODY TURN LED
1	0311513	OVAL MID BODY TURN GROMMET



REF. NO.	PART NUMBER	DESCRIPTION
1	0311510	RECTANGULAR REFLEX BACK UP
1	0311511	RECTANGULAR REFLEX BACK UP GROMMET

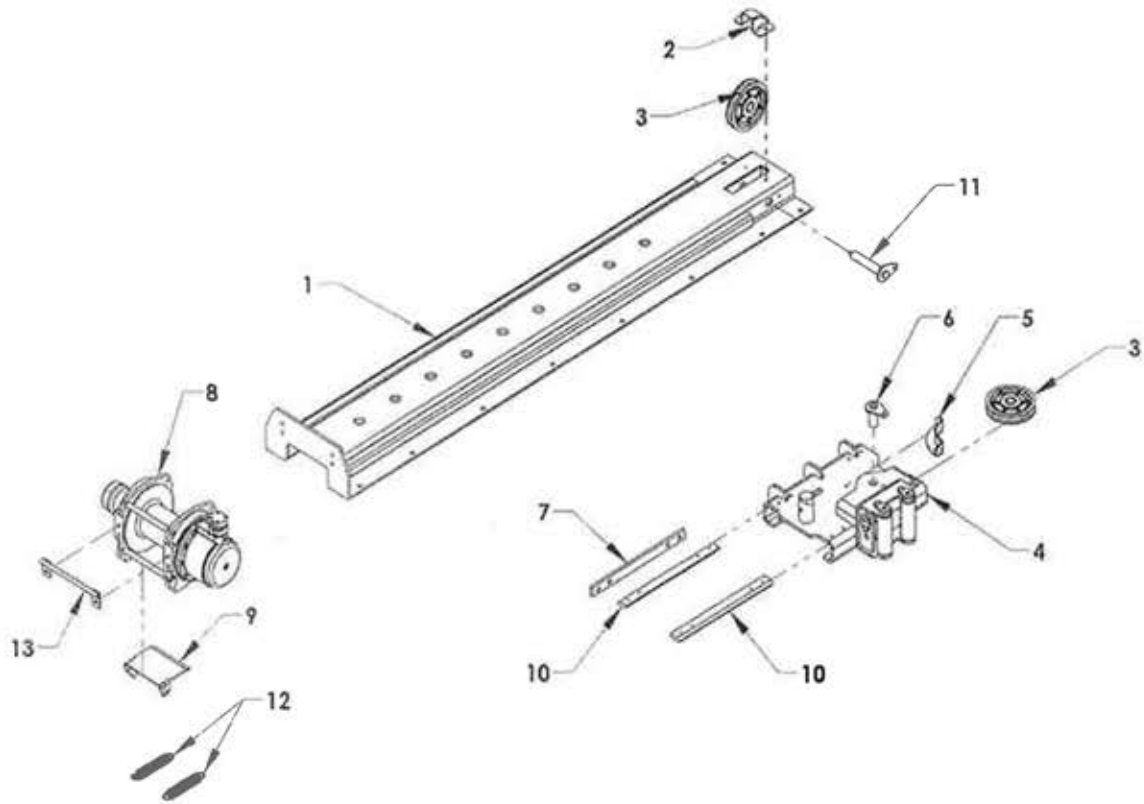
Section VI - PARTS (cont'd)

OPTIONAL LIGHTING ACCESSORIES



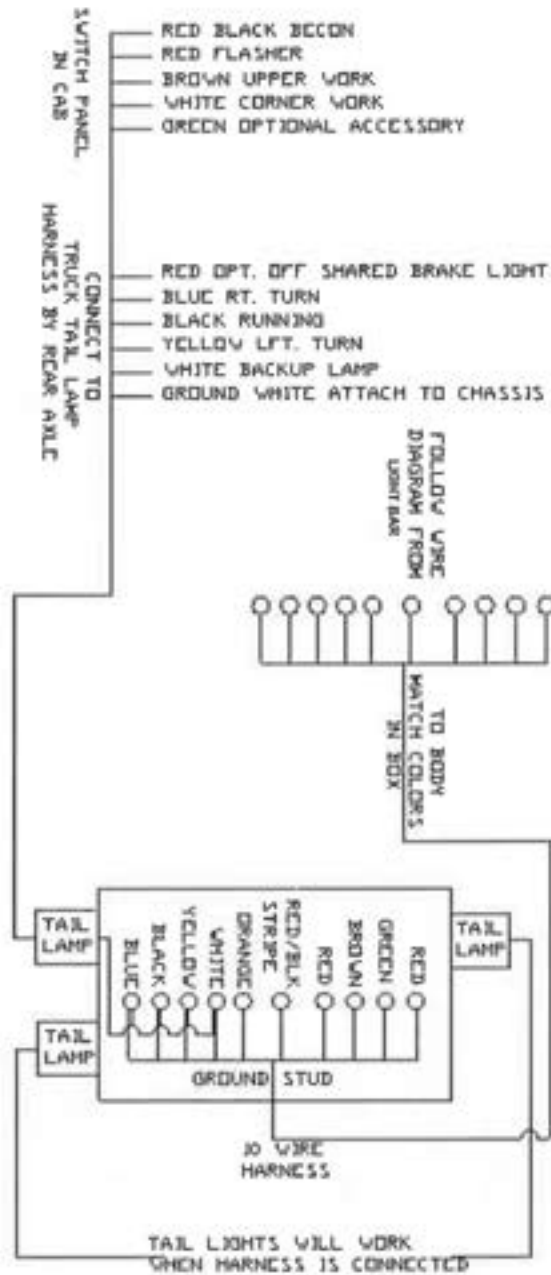
REF. NO.	NO. REQ'D	PART NUMBER	DESCRIPTION
1	2	124001001	SPOT LIGHT W/GASKET
2	2	0300897	GROMMET, RUBBER
3	8	0400043	#10-24 x 1" MACHINE SCREW
4	2	0400392	NUT, 3/8"-16 HEX NYLOK
5	2	0709872	RUBBER CUSHION
6	2	0801777	"T" BOLT ADAPTER

Section VI - PARTS (cont'd) MANUAL SLIDEWINDER



REF. NO.	NO. REQ'D	PART NUMBER	DESCRIPTION
1	1	315214	SLIDE TRACK - LONG
2	1	315225	CABLE GUIDED
3	2	69125	6 x 1 PULLEY
4	1	315310	SLIDE CARRIAGE
5	1	315325	CABLE GUIDE
6	1	315330	PULLEY PIN
7	1	315323	FRONT SLIDE PAD
8	1	711096	SERIES 9 WINCH - 6.5 INCH DRUM
	1	711126	SERIES 12 WINCH - 6.5 INCH DRUM
9	1	A90065	CABLE TENSIONER PLATE
10	2	315320	SLIDE PAD
11	1	315230	PULLEY PIN
12	2	A90185	CABLE TENSIONER SPRING
13	1	7189065	AIR LINE TRANSFER BRACKET

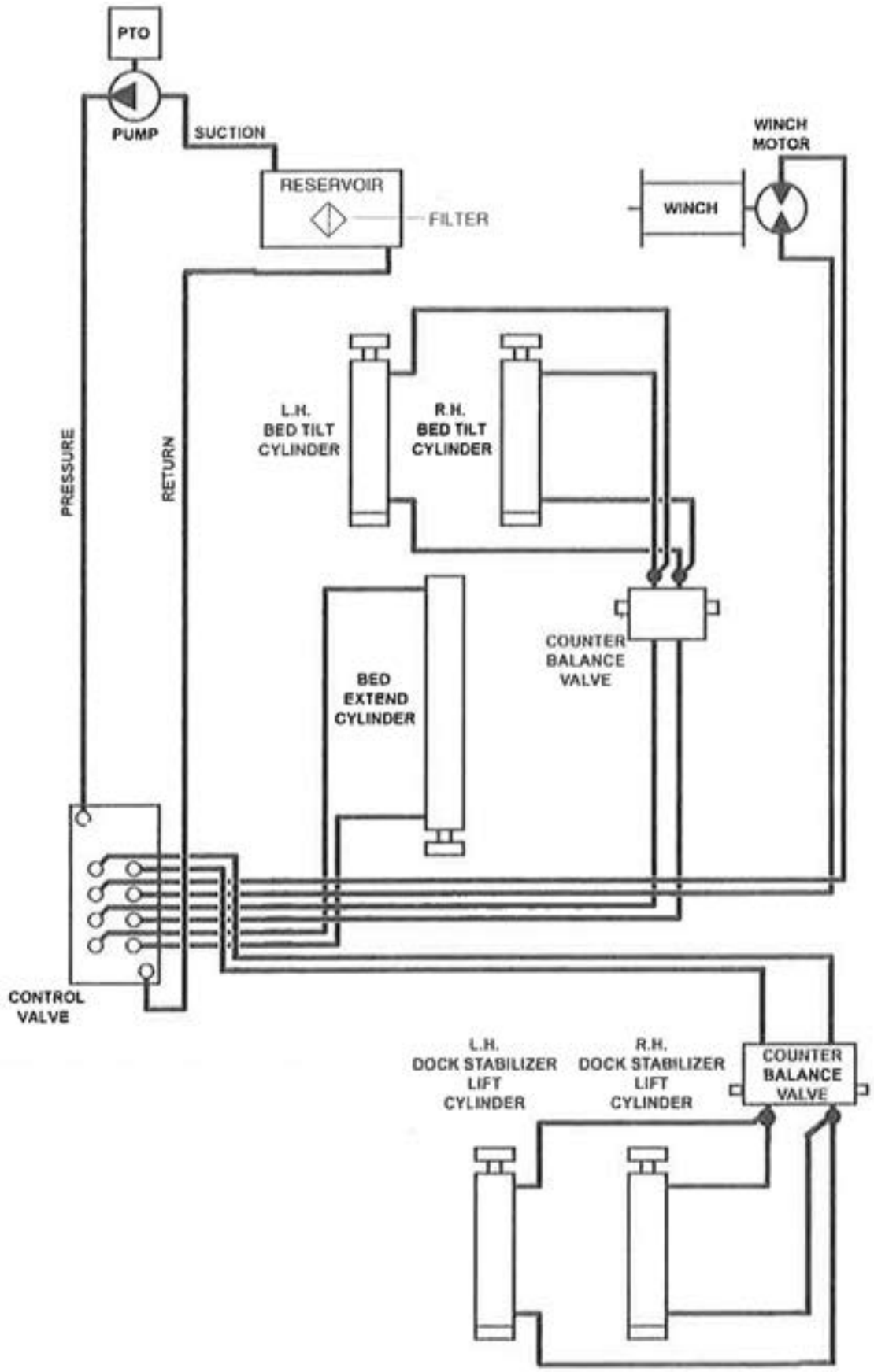
Section VIII - SCHEMATICS ELECTRICAL



REF. NO.	NO. REQ'D	PART NUMBER	DESCRIPTION
1	1	0301801	HARNESS, CHASSIS WIRING
2	1	0301803	HARNESS, LEFT TAIL LIGHT WIRING
3	1	0301804	HARNESS, RIGHT TAIL LIGHT WIRING
4	1	*	HARNESS, BED WIRING
5	1	0306385	BACKUP ALARM
6	1	0302030	HARNESS, LOOP 17'-19'
7	1	0302217-243	HARNESS, LOOP 19' 6"-21'
8	1	0302217-266	HARNESS, LOOP 22' 2"

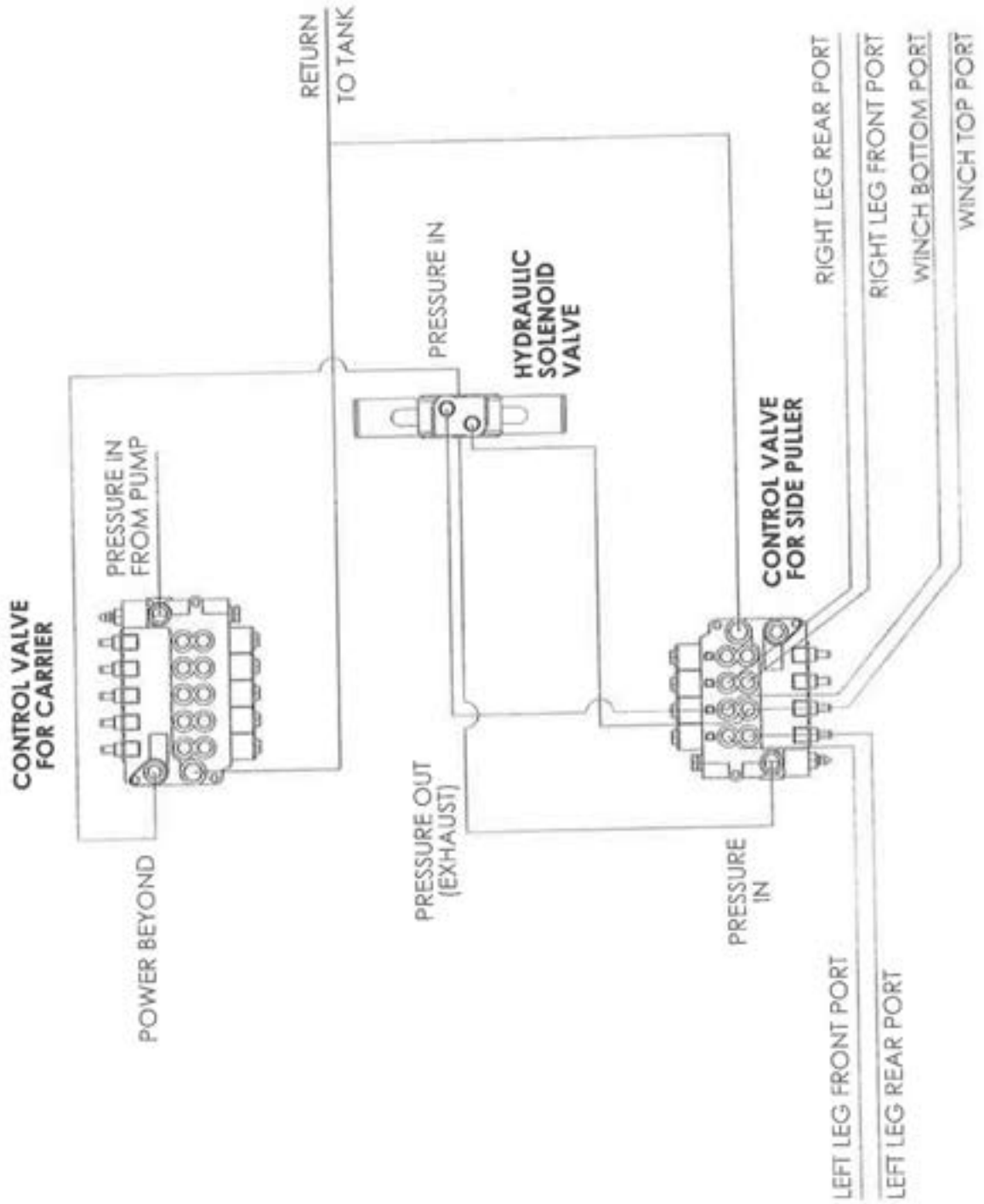
* CONTACT DISTRIBUTOR FOR ADDITIONAL INFORMATION

Section VIII - SCHEMATICS HYDRAULICS



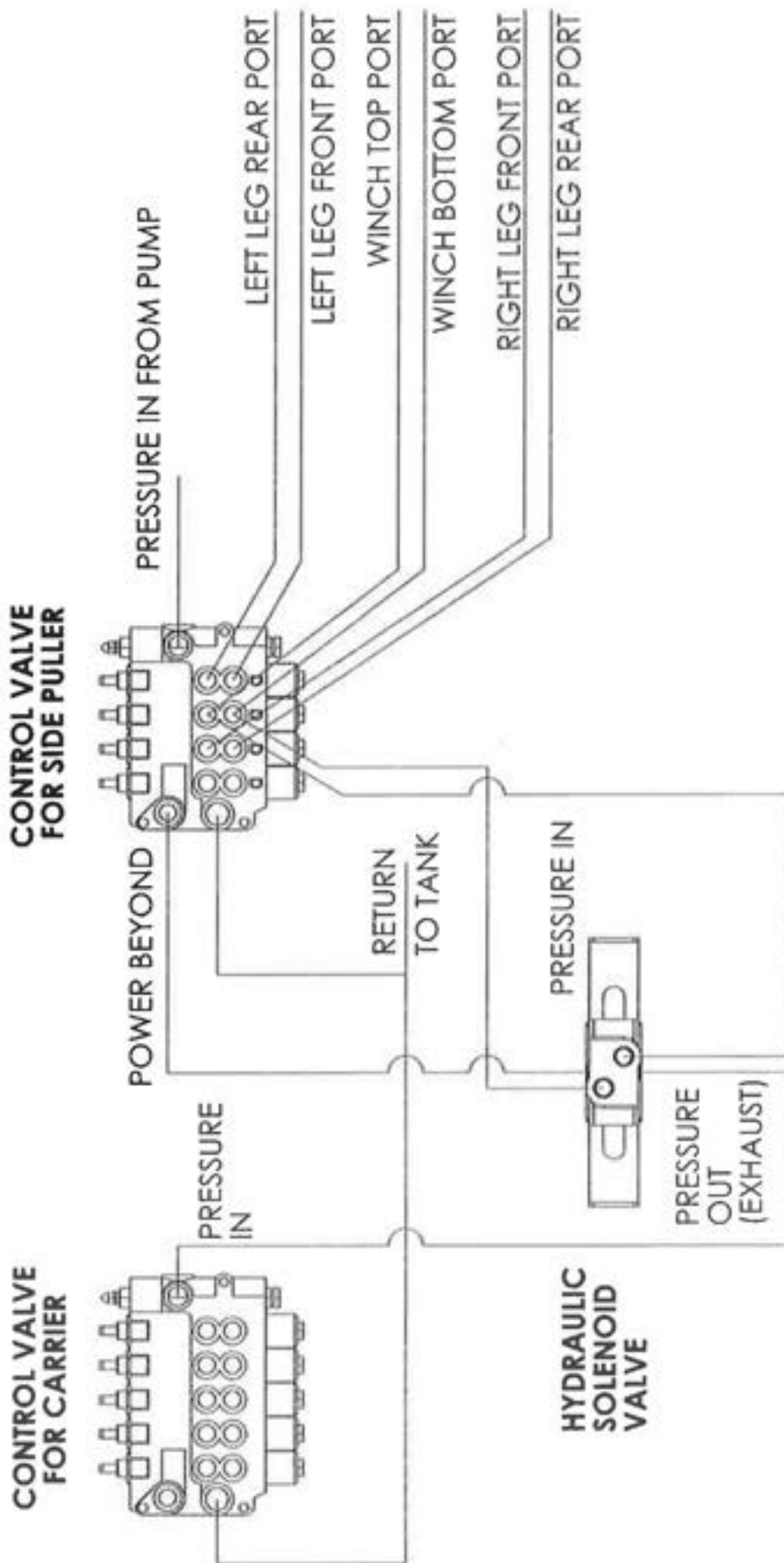
Section VIII - SCHEMATICS

SIDE PULLER - DUAL CONTROLS

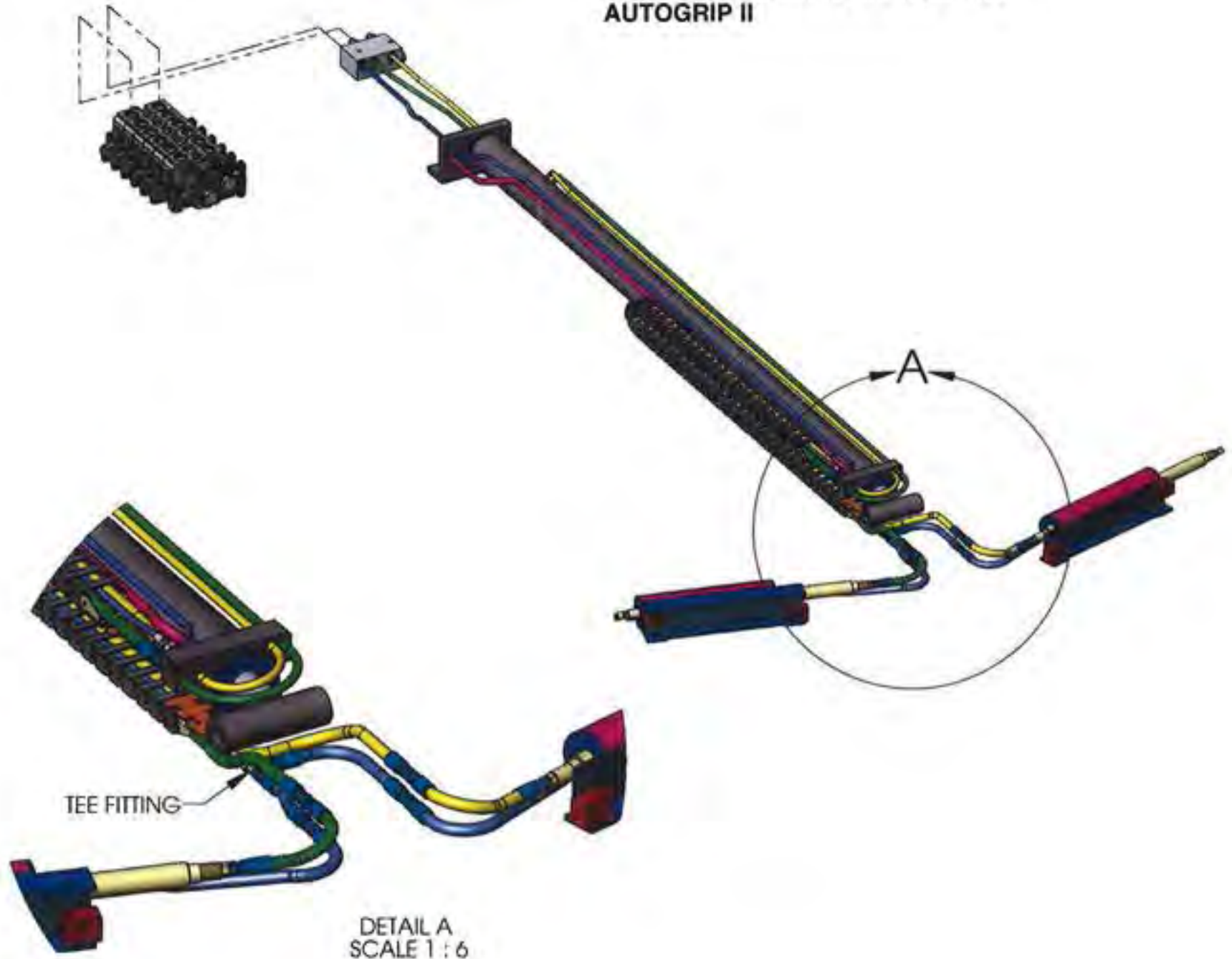


Section VIII - SCHEMATICS

SIDE PULLER - SINGLE CONTROLS



Section VIII- SCHEMATICS
CAR CARRIER
L-ARM CYLINDER HOSE ROUTING
AUTOGRIP II



Section VIII - SCHEMATICS
CAR CARRIER
L-ARM CYLINDER HOSE ROUTING
AUTOGRIP II

Yellow is divided flow for right arm close.
Green is divided flow for left arm close
Purple is return combined flow.

