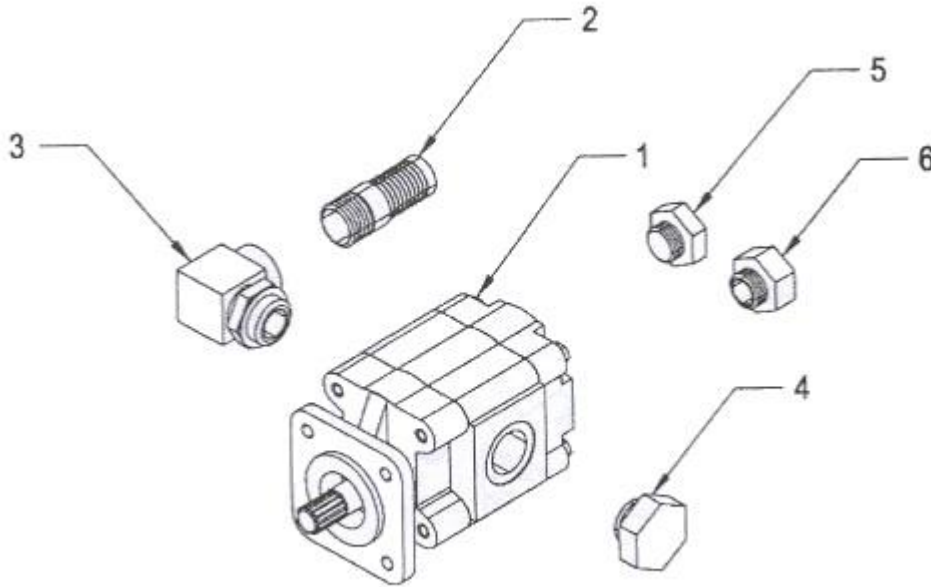
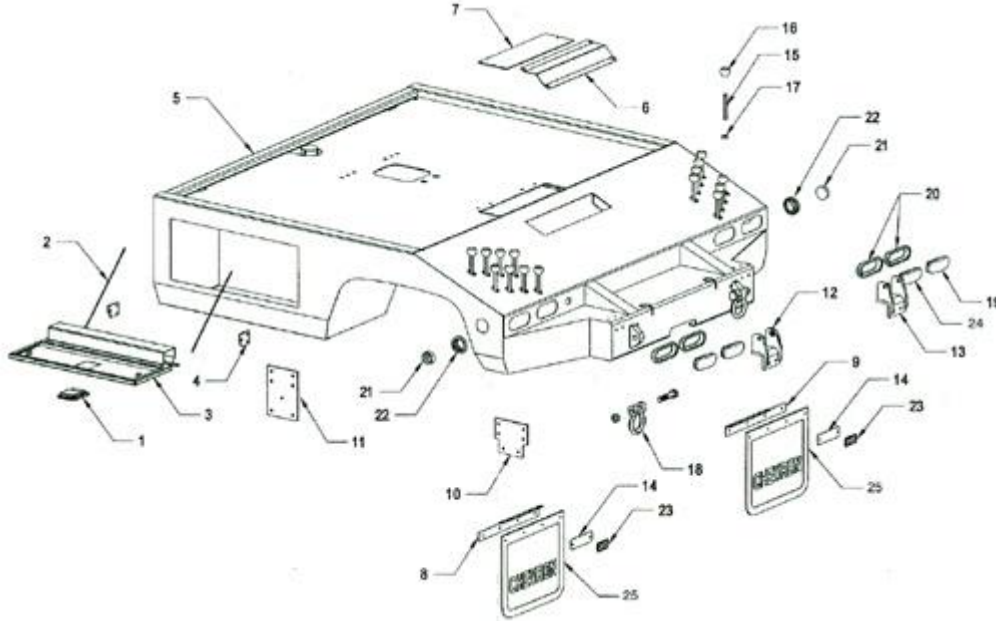


Direct Mount Pump



ITEM	PART NUMBER	DESCRIPTION	NUMBER REQUIRED
1	78008	PUMP - 18 GPM	1
	78006	PUMP - 24 GPM	1
2	77CH0	1-1/4 X 3 NPT NIPPLE	1
3	77C90	1-1/4 X 90 M-F O-RING ADAPTER 887-554-20	1
4	77620	1-1/4 O-RING PLUG 900598-20	1
5	44316	1 O-RING PLUG 900598-16	1
6	779E1	1 O-RING PLUG X 3/4 PIPE REDUCER 2216-12 X 16	1

408,408A & 512 Body Components



ITEM	PART NUMBER	DESCRIPTION	NUMBER REQUIRED
1	37558	PADDLE LATCH - ROTARY	1
2	5A221	TOOL BOX LANYARD - 21"	2
3	5A310	TOOL BOX DOOR	1
4	5A316	TOOL BOX DOOR MOUNTING BLOCK	2
5	50340	WRECKER BODY	1
6	51141	STEEL REAR ACCESS COVER	1
7	51145	ALUMINUM REAR ACCESS COVER	1
8	53182L	MUDFLAP MOUNTING BRACKET - LEFT	1
9	53182R	MUDFLAP MOUNTING BRACKET - RIGHT	1
10	53250	MIDDLE MOUNTING BRACKET - 34" FRAME	2
11	53263	FRONT MOUNTING BRACKET - 34" FRAME	2
12	59140L	TOW SLING MOUNTING BRACKET - LEFT	1
13	59140R	TOW SLING MOUNTING BRACKET - RIGHT	1
14	59115	REAR REFLECTOR MOUNTING PLATE	2
15	7A165	CONTROL HANDLE	16
16	7A211	CONTROL KNOB	16
17	83425	5/8 JAM NUT	16
18	84716	6-1/2 TON SHACKLE W/NUT & BOLT	2
19	92600R	TAIL LIGHT	2
20	92650	TAIL LIGHT GROMMET	4
21	93100R	SIDE MARKER LIGHT - RED	2

EVERYTHING YOU NEED TO TOW, RIG, RECOVER & HAUL

22	95600	MARKER LIGHT GROMMET - 2-1/2 IN. ROUND	2
23	93300R	REFLECTOR - RED	2
24	96500	BACK UP LIGHT	2
25	A1040	MUD FLAP - 408 & 408A	2
	A1045	MUD FLAP -512	2



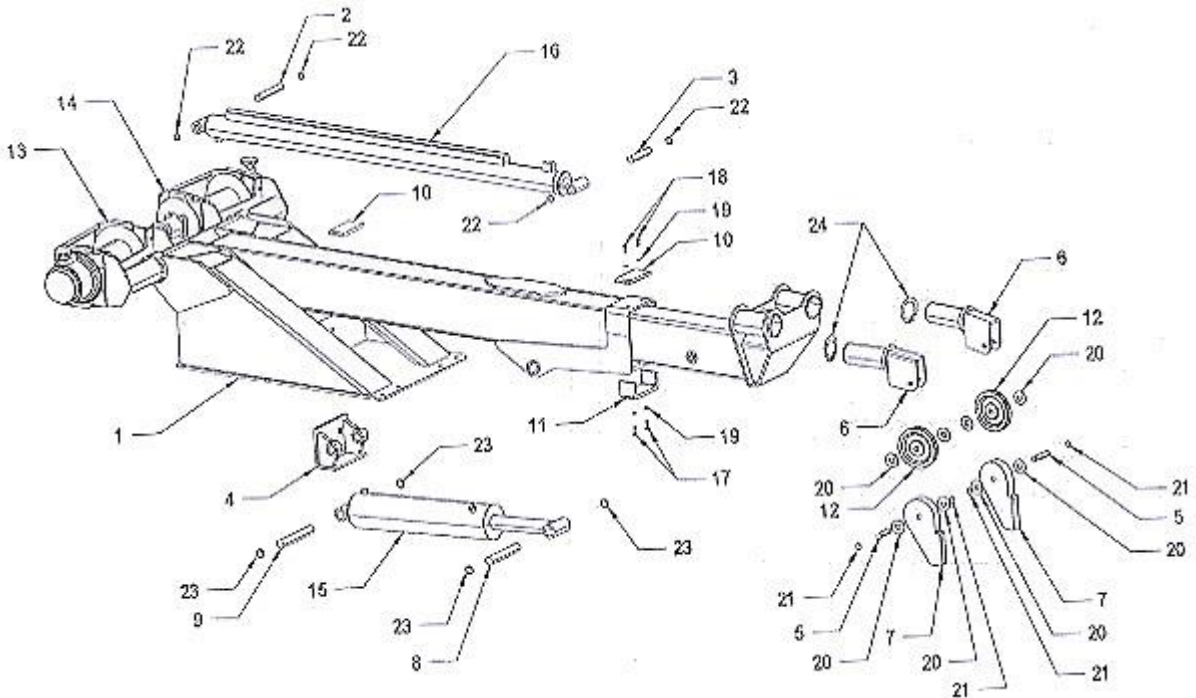
408,408A,410,410A,512 Series

Parts

800-222-6047

www.zips.com

408,408A & 410 Recovery Boom Components



ITEM	PART NUMBER	DESCRIPTION	NUMBER REQUIRED
1	60125	8-TON RECOVERY BOOM TWIN LINE	1
-	60115	8-TON RECOVERY BOOM SINGLE LINE	1
-	60145	10-TON RECOVERY BOOM TWIN LINE	1
2	613A1	PIN - BOOM EXTENSION CYLINDER BASE	1
3	613A2	PIN - BOOM EXTENSION CYLINDER ROD	1
4	61320	LIFT CYLINDER BASE MOUNT	1
5	61364	PULLEY PIN - 408 & 408A	1 or 2
-	61368	PULLEY BOLT 410 & 410A	2
6	61366	SWIVEL INSERT - 408 & 408A	1 or 2
-	61369	SWIVEL INSERT - 410 & 410A	2
7	61370	CABLE FOLLOWER - 408 & 408A	1 or 2
-	61379	CABLE FOLLOWER - 410 & 410A	2
8	61383	PIN - BOOM LIFT CYLINDER ROD	1
9	61384	PIN - BOOM LIFT CYLINDER BASE	1

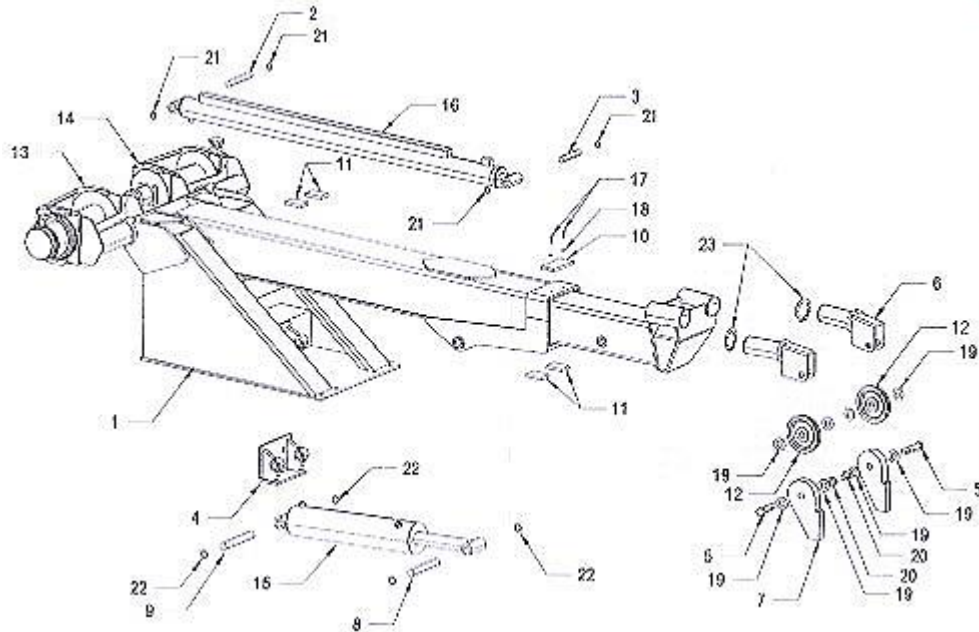
EVERYTHING YOU NEED TO TOW, RIG, RECOVER & HAUL

10	61410	BOOM BEARING PAD		2
11	61412	BOOM BEARING CHANNEL		1
12	69120	PULLEY - 6" 408 & 408A		1 or 2
-	69125	PULLEY - 6" 410 & 410A		2
13	71102L	WINCH 408 & 408A		0 or 1
-	71105L	WINCH - 410 & 410A		1
14	71102R	WINCH - 408 & 408A		0 or 1
-	71105R	WINCH - 410 & 410A		1
15	72140	CYLINDER - BOOM LIFT		1
16	72150	CYLINDER - BOOM EXTENSION		1
17	81110	BOLT - 5/16 x 1		2
18	81117	BOLT - 5/16 x 7/8		2
19	82130	FLAT WASHER - 5/16		4
20	82510	FLAT WASHER - M3/4 - 408 & 408A		4 or 8
-	82717	FLAT WASHER - 1 x 1.75 - 410 & 410A		8
21	86075E	SNAP-RING .75" EXTERNAL		2 or 4
-	83610	NUT - 7/8 NYLON LOCK 410 & 410A		2
22	86100I	SNAP-RING 1.00" INTERNAL		4
23	86125I	SNAP-RING 1.25" INTERNAL		4
24	86287E	SNAP-RING 2.875" EXTERNAL		1 or 2



EVERYTHING YOU NEED TO TOW, RIG, RECOVER & HAUL

512 Recovery Boom Components



ITEM	PART NUMBER	DESCRIPTION	NUMBER REQUIRED
1	60164	TWIN LINE BOOM 12-1/2" DRUM	1
-	60165	TWIN LINE BOOM 10" DRUM	1
2	613A1	PIN - BOOM EXTENSION CYLINDER BASE	1
3	613A2	PIN - BOOM EXTENSION CYLINDER ROD	1
4	61320	LIFT CYLINDER BASE MOUNT	1
5	61368	PULLEY BOLT	2
6	61369	SWIVEL INSERT	2
7	61379	CABLE FOLLOWER	2
8	61383	PIN - BOOM LIFT CYLINDER ROD	1
9	61384	PIN - BOOM LIFT CYLINDER BASE	1
10	61410	BOOM BEARING PAD	1
11	61735	NYLATRON WEAR PAD	4
12	69125	PULLEY - 6"	2
13	71105L	WINCH SERIES 12 (10" DRUM)	1
-	71106L	WINCH SERIES 12 (12-1/2" DRUM)	1
14	71105R	WINCH SERIES 12 (10" DRUM)	1
-	71106R	WINCH SERIES 12 (12-1/2" DRUM)	1
15	72141	CYLINDER - BOOM LIFT	1
16	72150	CYLINDER - BOOM EXTENSION	1
17	81117	BOLT - 5/16 x 7/8	2
18	82130	FLAT WASHER - 5/16	2
19	82717	FLAT WASHER - 1 x 1.75	8

EVERYTHING YOU NEED TO TOW, RIG, RECOVER & HAUL

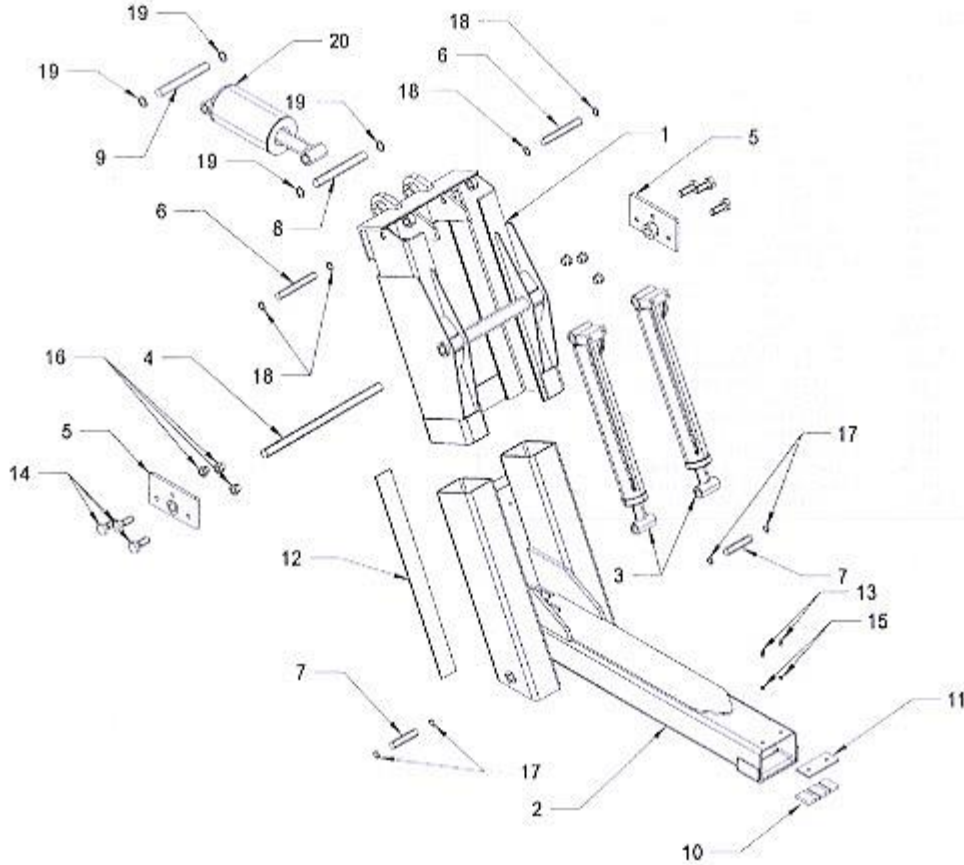
20	83610	NUT - 7/8 NYLON LOCK
21	86100I	SNAP-RING 1.00" INTERNAL
22	86125I	SNAP-RING 1.25" INTERNAL
23	86287E	SNAP-RING 2.875" EXTERNAL



2
4
4
2

EVERYTHING YOU NEED TO TOW, RIG, RECOVER & HAUL

408 & 408A Underlift Components



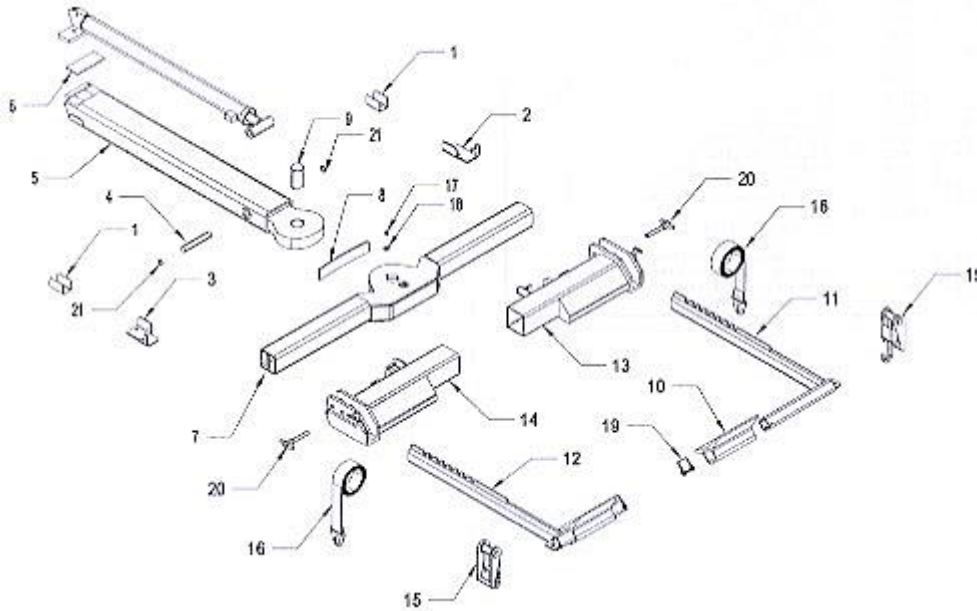
ITEM	PART NUMBER	DESCRIPTION	NUMBER REQUIRED
1	657701	STANCHION	1
2	65780	OUTER BOOM - 408	1
-	65790	OUTER BOOM 408A	1
3	72190	LIFT CYLINDER	2
4	65709	PIVOT PIN - 1.230 x 22	1
5	65701	PIVOT MOUNTING BRACKET	2
6	65712	.980 x 7 SNAP-RING GROOVE ROD PIN	2
7	65714	.980 x 4-5/8 ROD PIN	2
8	65715	1.230 x 9-1/4 SNAP-RING GROOVE ROD PIN	1
9	65716	1.230 x 12-1/4 SNAP-RING GROOVE BASE PIN	1
10	65753	NYLATRON WEAR PAD 1/2 x 2-1/2	1
11	65759	SPACER SHIM PLATE - 408	1
-	65758	NYLATRON SHIM PAD - 408A	1
12	65779	1/4 x 2-11/6 PHENOLIC WEAR STRIP	4
13	812A5	BOLT 3/8 x 500 BUTTON HEAD ALLEN	2

14	81710	BOLT 7/8 x 2.250	6
15	82211	WASHER 3/8 I.D. X 9/16 O.D.	2
16	83611	NUT 7/8 NYLON LOCK	6
17	86100I-1	SNAP-RING 1" INTERNAL	4
18	86100E-1	SNAP-RING 1" EXTERNAL	4
19	86125E-1	SNAP-RING 1.25" EXTERNAL	4
20	72188	POWER TILT CYLINDER	1



EVERYTHING YOU NEED TO TOW, RIG, RECOVER & HAUL

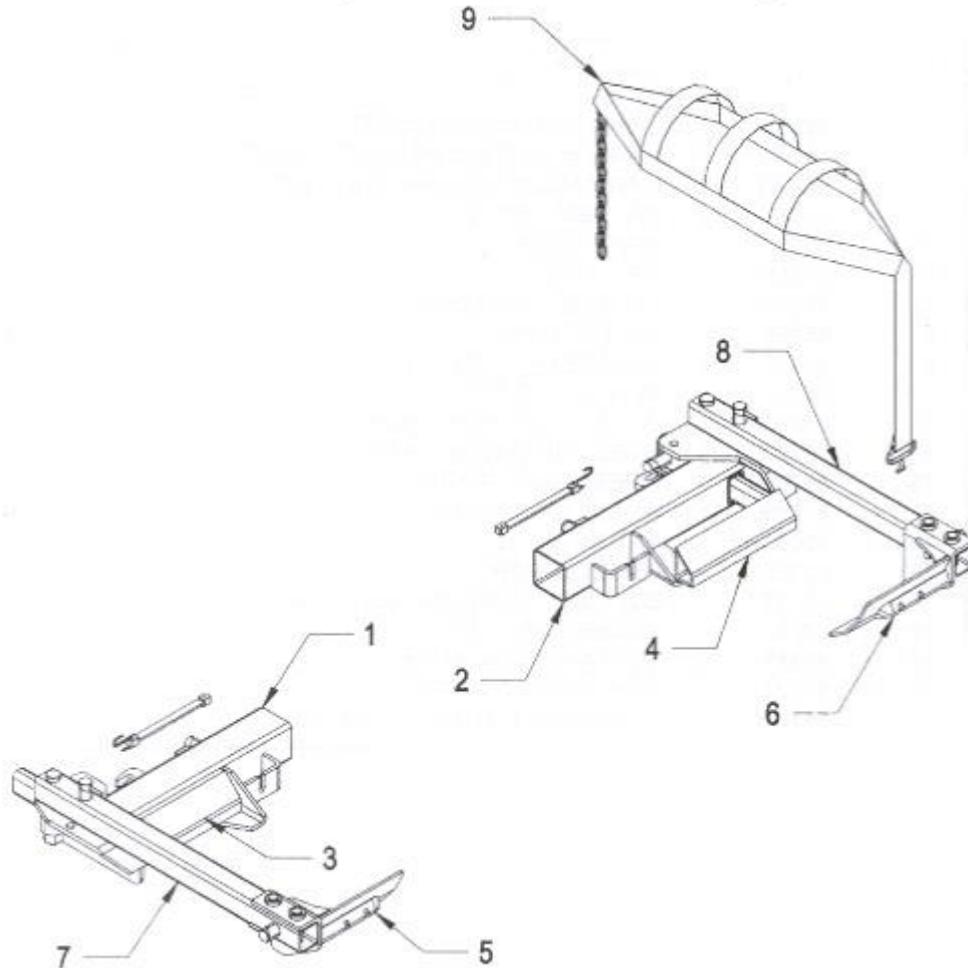
408 Wheel Lift Components



ITEM	PART NUMBER	DESCRIPTION	NUMBER REQUIRED
1	59231	L-ARM CHANNEL BRACKET	2
2	59232R	L-ARM MOUNTING BRACKET - RIGHT	1
3	59232L	L-ARM MOUNTING BRACKET - LEFT	1
4	64357	PIN - .980 x 5.875	1
5	65816	INNER BOOM	1
6	64355	WEAR PAD	1
7	65515	CROSSBAR WELDMENT	1
8	65228	YOKE SPRING	1
9	65435	CROSSBAR PIVOT PIN	1
10	65245	REMOVABLE PAN	2
11	65250R	WHEEL RETAINER - RIGHT	1
12	65250L	WHEEL RETAINER - LEFT	1
13	65256R	WHEEL GRID - RIGHT	1
14	65265L	WHEEL GRID - LEFT	1
15	65280A	RATCHET	2
16	65285	WHEEL STRAP	2
17	812A5	BOLT 3/8 x 1/2 ROUND ALLEN HEAD	1
18	82210	WASHER 3/8 FLAT	1
19	84911	5/16 SAFTEY SNAP PIN	2
20	84921	T-PIN W/LANYARD	2
21	86100I	SNAP-RING 1" INTERNAL	2

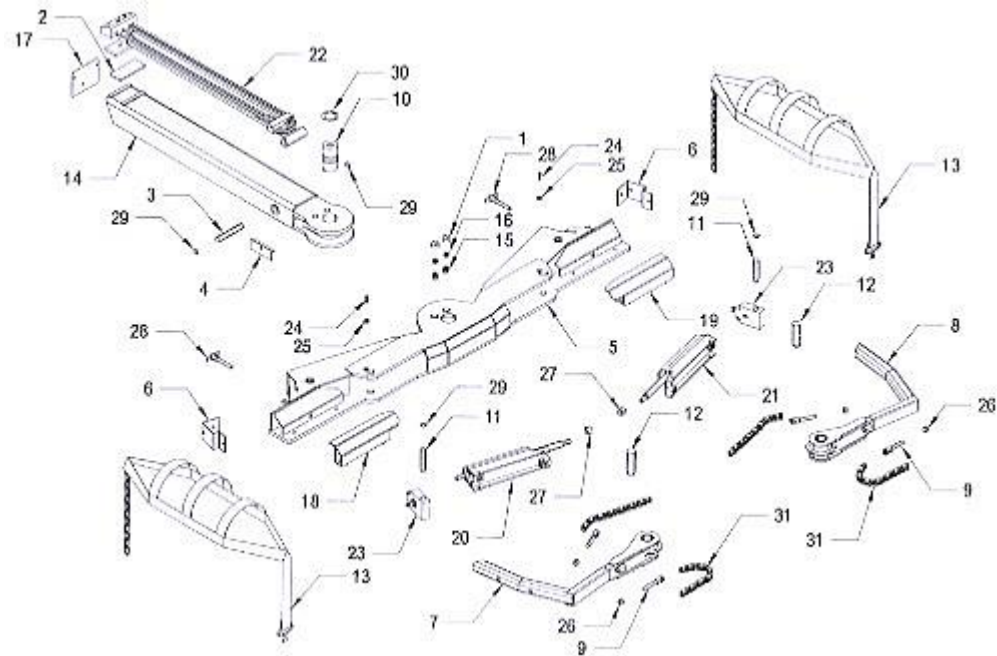
EVERYTHING YOU NEED TO TOW, RIG, RECOVER & HAUL

408 Wheel Lift Components (optional backsaver)



ITEM	PART NUMBER	DESCRIPTION	NUMBER REQUIRED
1	659100L	WHEEL GRID - LEFT	1
2	659100R	WHEEL GRID - RIGHT	1
3	65930L	WHEEL CHOCK - LEFT	1
4	65930R	WHEEL CHOCK - RIGHT	1
5	65940L	WHEEL PAN - LEFT	1
6	65940R	WHEEL PAN - RIGHT	1
7	65960L	WHEEL ARM - LEFT	1
8	65960R	WHEEL ARM - RIGHT	1
9	65286	WHEEL STRAP - AUTO - YELLOW	2
-	65287	WHEEL STRAP - TRUCK - BLUE	2

408A Wheel Lift Components



ITEM	PART NUMBER	DESCRIPTION	NUMBER REQUIRED
1	64327	SCREW-LUG CROSSBAR DETENT	2
2	64355	WEAR PAD	1
3	64357	.980 x 5-7/8 PIN	1
4	64358	HOSE CLAMP	2
5	64400	CROSSBAR WELDMENT	1
6	64429	HOSE GUARD	2
7	64435L	WHEEL RETAINER - LEFT	1
8	64435R	WHEEL RETAINER - RIGHT	1
9	64437	CHAIN CLEVIS	4
10	64440	CROSSBAR PIVOT PIN 2-1/2 DIAMETER	1
11	64443	WHEEL RETAINER CYLINDER PIN	2
12	64445	ARM PIVOT PIN	2
13	65286	BASKET TIRE STRAP - AUTO	2
-	65287	BASKET TIRE STRAP - TRUCK	2
14	65820	INNER BOOM	1
15	69320	CROSSBAR DETENT SPRING	2
16	69325	CROSSBAR DETENT BALL	2
17	69336	GRAVEL GUARD	1
18	69740L	WHEEL SPACER - LEFT	1
19	69740R	WHEEL SPACER - RIGHT	1
20	72015L	WHEEL RETAINER CYLINDER - LEFT	1
21	72015R	WHEEL RETAINER CYLINDER - RIGHT	1

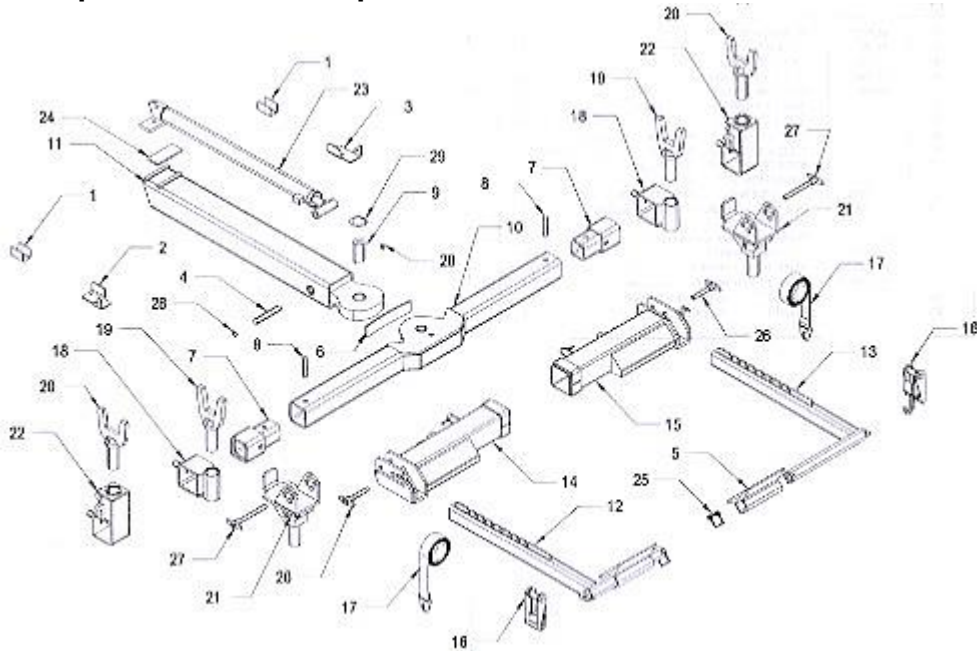
EVERYTHING YOU NEED TO TOW, RIG, RECOVER & HAUL

22	72192	EXTENSION CYLINDER		1
23	727A6	L-ARM CYLINDER END BLOCK		2
24	812A5	3/8 ALLEN BOLT		2
25	82110	5/16 FLAT WASHER		2
26	83411	5/8 NYLON LOCK NUT		4
27	83520	3/4 NYLON LOCK NUT		2
28	84921	T-PIN 5/8 x 3		2
29	86100I	SNAP-RING 1.000" INTERNAL		4
30	86250I	SNAP-RING 2.500" INTERNAL		1
31	87440	AUTO GRIP ARM CHAIN		4
32	AA009	9" TRAP STRAP		2



EVERYTHING YOU NEED TO TOW, RIG, RECOVER & HAUL

512 Wheel Lift Components & Hook-Up Attachments



ITEM	PART NUMBER	DESCRIPTION	NUMBER REQUIRED
1	59235	L-ARM CHANNEL BRACKET	2
2	59236L	L-ARM MOUNTING BRACKET - RIGHT	1
3	5926R	L-ARM MOUNTING BRACKET - LEFT	1
4	64357	PIN - .980 x 5.875	1
5	65245	REMOVABLE PAN	2
6	65228	YOKE SPRING	1
7	66230	CROSSBAR EXTENSION	2
8	66245	CROSSBAR EXTENSION PIN	2
9	66430	CROSSBAR PIVOT PIN	1
11	66815	INNER BOOM	1
12	65250R	WHEEL RETAINER - RIGHT	1
13	66250L	WHEEL RETAINER - LEFT	1
14	66260R	WHEEL GRID - RIGHT	1
15	66260L	WHEEL GRID - LEFT	1
16	65280A	RATCHET	2
17	65285	WHEEL STRAP	2
18	66280	FRAME FORK HOLDER	2
19	66290	2" FRAME FORK	2
20	66300	3" FRAME FORK	2
-	66310	4" FRAME FORK	2
21	66320	SPRING SHACKLE ADAPTOR	2

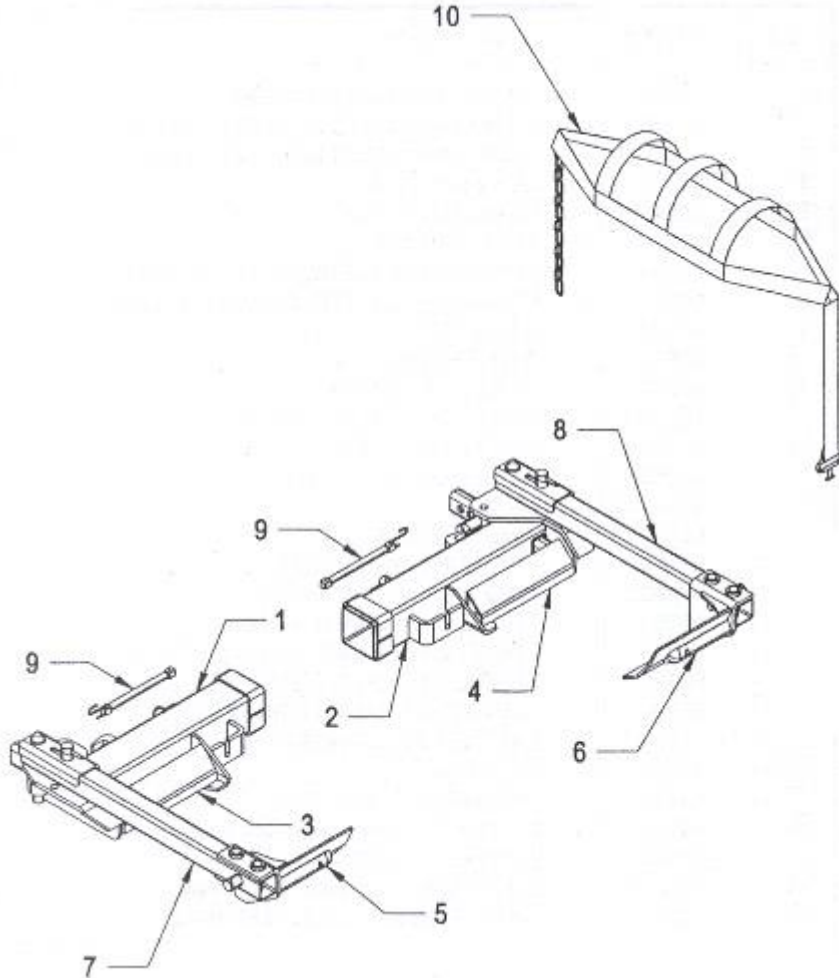
22	66330	ELEVATED FRAME FORK HOLDER
23	72196	EXTENSION CYLINDER
24	64355	WEAR PAD
25	84911	5/16 SAFETY SNAP PIN
26	84922	T-PIN W/LANYARD 3/4 x 3.50
27	84923	T-PIN 3/4 x 6.50
28	86100I	SNAP-RING 1" INTERNAL
29	86100I	SNAP-RING 1" INTERNAL



2
2
2
2
2
2
2
2
2

EVERYTHING YOU NEED TO TOW, RIG, RECOVER & HAUL

512 Wheel Lift Components (optional backsaver)



ITEM	PART NUMBER	DESCRIPTION	NUMBER REQUIRED
1	659100L	WHEEL GRID - LEFT	1
2	659100R	WHEEL GRID - RIGHT	1
3	65930L	WHEEL CHOCK - LEFT	1
4	65930R	WHEEL CHOCK - RIGHT	1
5	65940L	WHEEL PAN - LEFT	1
6	65940R	WHEEL PAN - RIGHT	1
7	65960L	WHEEL ARM - LEFT	1
8	65960R	WHEEL ARM - RIGHT	1
9	AA009	9" CARGO STRAP	2
10	65286	WHEEL STRAP - AUTO - YELLOW	2
-	65287	WHEEL STRAP - TRUCK - BLUE	2