



▶ 2012 Series Alarms | Back-up Alarms

FEATURES

- Available in 87 dB(A), 97 dB(A) and 102 dB(A).
- 12/24 VDC.
- Steam-cleanable and pressure-washable.
- Epoxy-encapsulated.
- Draws minimal 0.5 Amps.
- Three-year warranty.

APPROVALS

- SAE J994
- CE
- OSHA
- MSHA

Federal Signal's 2012 Series Back-Up Alarms provide a dependable performance at an economical price for a variety of applications.

A wide selection of models meets a broad scope of decibel requirements

The 2012 Series back-up alarms are available in a wide range of decibel ratings including 87 dB(A), 97 dB(A) and 102 dB(A) models to meet precise warning requirements. Each decibel version can be ordered with stud terminals or wires for added installation flexibility. The stud models come equipped with a built-in universal mounting bracket and self-grounding strap.

Built to meet demands of many work environments

The 2012 Series Back-Up Alarms are epoxy-encapsulated to protect against moisture, vibration and the environment. These alarms are steam-cleanable and pressure-washable, and are built with a heat-resistant, glass-filled nylon allowing them to handle the toughest commercial and industrial work environments.

Ready for a variety of applications

All models of the 2012 Series Back-Up alarms meet SAE J994, CE, OSHA and MSHA requirements. They are ideal for a variety of work truck applications including municipal fleets, utility, construction and OEMs.

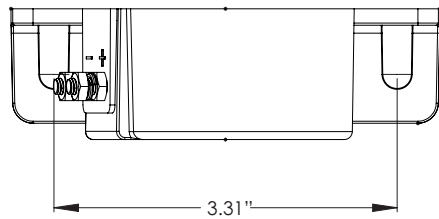
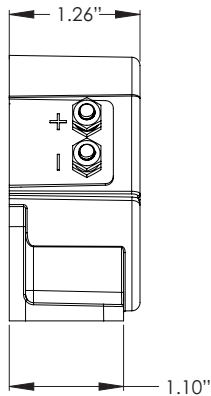
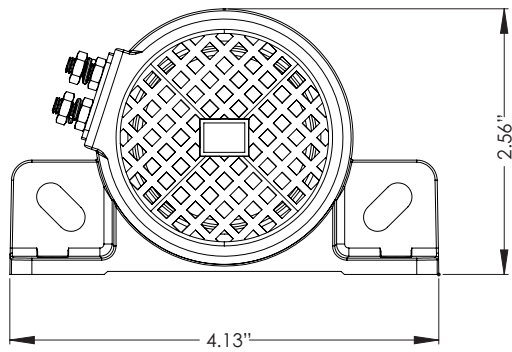
Specify model

Stud Terminal Models

- 210238-S 87 dB(A), 12-24 VDC, SAE J994 Type D
- 210239-S 97 dB(A), 12-24 VDC, SAE J994 Type C
- 210240-S 102 dB(A), 12-24 VDC, SAE J994 Type F

Wire Models

- 210238-W 87 dB(A), 12-24 VDC, SAE J994 Type D
- 210239-W 97 dB(A), 12-24 VDC, SAE J994 Type C
- 210240-W 102 dB(A), 12-24 VDC, SAE J994 Type F



Specifications

Operating Voltage 12/24 VDC

Conformance SAE J994, CE, OSHA and MSHA

Model	Sound Output	Current Draw	SAE J994 Type
210238-S	87 dB(A)	0.3 Amps	Type D
210239-S	97 dB(A)	0.3 Amps	Type C
210240-S	102 dB(A)	0.5 Amps	Type F
210238-W	87 dB(A)	0.3 Amps	Type D
210239-W	97 dB(A)	0.3 Amps	Type C
210240-W	102 dB(A)	0.5 Amps	Type F

Physical Specifications

Width	1.26 in (3.2 cm)
Height	2.56 in (6.4 cm)
Length	4.13 in (10.5 cm)